

# Realtime and Embedded Specification for Java Version 2.0

Draft 10  
New Year's Eve Edition  
31<sup>st</sup> of December 2014

Editor  
James J. Hunt  
aicas GmbH  
Haid-und-Neu-Straße 18  
D-76131 Karlsruhe, Germany

Copyright © 1999–2012 TimeSys  
Copyright © 2012–2014 aicas GmbH  
All rights reserved



The Realtime Specification for Java (RTSJ) is under development within the Java Community Process (JCP) by the members of the JSR-282 Expert Group (EG). This group, was lead by TimeSys Inc. Corporation, but has been taken over by aicas GmbH.

## JSR-282 Expert Group Membership

James J. Hunt    aicas GmbH  
Benjamin Brosgol  
Andy Wellings  
Kelvin Nilsen    Atego Systems  
Ethan Blanton

## Past Expert Group Members

Peter Dibble    TimeSys  
David Holmes    Oracle



# Table of Contents

<b>Contents</b>	<b>i</b>
<b>List of Figures</b>	<b>xi</b>
<b>List of Tables</b>	<b>xi</b>
<b>1 Introduction</b>	<b>1</b>
1.1 Guiding Principles . . . . .	2
1.1.1 Applicability to Particular Java Environments . . . . .	3
1.1.2 Backward Compatibility . . . . .	3
1.1.3 Write Once, Run Anywhere . . . . .	3
1.1.4 Current Practice vs. Advanced Features . . . . .	3
1.1.5 Predictable Execution . . . . .	3
1.1.6 No Syntactic Extension . . . . .	3
1.1.7 Allow Variation in Implementation Decisions . . . . .	3
1.1.8 Interoperability . . . . .	4
1.2 Areas of Enhancement . . . . .	4
1.2.1 Thread Scheduling and Dispatching . . . . .	4
1.2.2 Memory Management . . . . .	5
1.2.3 Synchronization and Resource Sharing . . . . .	5
1.2.4 Asynchronous Event Handling . . . . .	5
1.2.5 Task Interruption . . . . .	5
1.2.6 Raw Memory Access . . . . .	6
1.2.7 Physical Memory Access . . . . .	6
1.2.8 Modularization . . . . .	6
<b>2 Overview</b>	<b>7</b>
2.1 Threads and Scheduling . . . . .	7
2.2 Synchronization . . . . .	9
2.2.1 Priority Inversion . . . . .	9
2.2.2 Priority Inversion Avoidance . . . . .	9
2.2.3 Execution Eligibility . . . . .	11

2.2.4	Wait-Free Queues . . . . .	11
2.3	Asynchrony . . . . .	11
2.3.1	Asynchronous Events . . . . .	11
2.3.2	Asynchronous Transfer of Control . . . . .	13
2.3.3	Principles . . . . .	13
2.3.4	Asynchronous Realtime Thread Termination . . . . .	15
2.4	Clocks, Time, and Timers . . . . .	15
2.5	Memory Management . . . . .	16
2.5.1	Memory Areas . . . . .	16
2.5.2	Heap Memory . . . . .	17
2.5.3	Immortal Memory . . . . .	17
2.5.4	Scoped Memory . . . . .	17
2.5.5	Physical Memory Areas . . . . .	18
2.5.6	Budgeted Allocation . . . . .	18
2.6	Device Access and Raw Memory . . . . .	19
2.6.1	Raw Memory Access . . . . .	19
2.7	System Options . . . . .	19
2.8	Exceptions . . . . .	20
2.9	Summary . . . . .	20
<b>3</b>	<b>Requirements and Conventions</b>	<b>21</b>
3.1	Base Requirements . . . . .	21
3.2	Modules . . . . .	22
3.2.1	Base Module . . . . .	22
3.2.2	Device Module . . . . .	24
3.2.3	Alternate Memory Management Module . . . . .	25
3.2.4	Optional Features . . . . .	26
3.2.5	Deprecated Classes . . . . .	27
3.3	Conditionally-Required Facilities . . . . .	28
3.3.1	Options for Development Platforms . . . . .	28
3.4	Required Documentation . . . . .	29
3.5	Conventions . . . . .	30
3.6	Definitions . . . . .	30
<b>4</b>	<b>Conventional Java Classes and Language</b>	<b>33</b>
4.1	Scheduling . . . . .	33
4.1.1	Priority . . . . .	34
4.1.1.1	Setting Priority . . . . .	34
4.1.1.2	Getting Priority . . . . .	35
4.1.2	Thread Groups . . . . .	35
4.1.3	Current Thread . . . . .	36

4.2	Java Memory Model	36
4.3	InterruptedException	37
4.4	Memory Management	37
4.4.1	Memory Areas	37
4.4.2	Garbage Collection	38
4.4.3	Realtime Garbage Collections	38
4.4.3.1	Thread-Based Collectors	38
4.4.3.2	Allocation-Based Collectors	39
4.4.3.3	Alternatives to Garbage Collection	39
4.4.3.4	Developer Implementation	39
4.5	Summary	39
<b>5</b>	<b>Realtime Threads</b>	<b>41</b>
5.1	Overview	41
5.2	Semantics	42
5.3	Package javax.realtime	44
5.3.1	Enumerations	44
5.3.1.1	PhasingPolicy	44
5.3.2	Classes	46
5.3.2.1	ConfigurationParameters	46
5.3.2.2	RealtimeThread	50
5.4	Rationale	75
<b>6</b>	<b>Scheduling</b>	<b>77</b>
6.1	Overview	77
6.2	Definitions	78
6.3	Semantics	80
6.3.1	Schedulers	80
6.3.2	The Base Scheduler	81
6.3.2.1	Priorities	81
6.3.2.2	Dispatching	82
6.3.2.3	Parameter Values	84
6.3.2.4	Cost Monitoring and Cost Enforcement	85
6.3.2.5	Release of Realtime Threads	87
6.3.2.6	Aperiodic Release Control	97
6.3.2.7	Sporadic Release Control	99
6.3.2.8	Release Control for Asynchronous Event Handlers	100
6.3.2.9	Processing Groups	101
6.4	Package javax.realtime	104
6.4.1	Interfaces	104
6.4.1.1	BoundSchedulable	104

6.4.1.2	Schedulable	104
6.4.2	Classes	112
6.4.2.1	Affinity	112
6.4.2.2	AperiodicParameters	125
6.4.2.3	ImportanceParameters	132
6.4.2.4	PeriodicParameters	134
6.4.2.5	PriorityParameters	141
6.4.2.6	PriorityScheduler	143
6.4.2.7	ProcessingGroupParameters	147
6.4.2.8	ReleaseParameters	155
6.4.2.9	Scheduler	162
6.4.2.10	SchedulingParameters	164
6.4.2.11	SporadicParameters	166
6.5	Rationale	172
6.5.1	Multiprocessor Support	173
6.5.2	Impact of Clock Granularity	174
6.5.3	Deadline Miss Detection	175
<b>7</b>	<b>Synchronization</b>	<b>177</b>
7.1	Overview	177
7.2	Semantics	177
7.2.1	The Base Priority Scheduler	178
7.2.2	Additional Schedulers	180
7.3	Package javax.realtime	182
7.3.1	Classes	182
7.3.1.1	MonitorControl	182
7.3.1.2	PriorityCeilingEmulation	184
7.3.1.3	PriorityInheritance	188
7.3.1.4	WaitFreeDequeue	189
7.3.1.5	WaitFreeReadQueue	190
7.3.1.6	WaitFreeWriteQueue	197
7.4	Rationale	203
<b>8</b>	<b>Asynchrony</b>	<b>205</b>
8.1	Overview	205
8.2	Definitions	207
8.3	Semantics	208
8.3.1	Asynchronous Events and their Handlers	208
8.3.2	Active Events and Dispatching	210
8.3.3	Asynchronous Transfer of Control	211
8.3.3.1	Summary of ATC Operation	214



8.4	Package <code>javax.realtime</code> . . . . .	216
8.4.1	Interfaces . . . . .	216
8.4.1.1	<code>ActiveEvent</code> . . . . .	216
8.4.1.2	<code>BoundAbstractAsyncEventHandler</code> . . . . .	217
8.4.1.3	<code>Interruptible</code> . . . . .	218
8.4.2	Exceptions . . . . .	219
8.4.2.1	<code>AsynchronouslyInterruptedException</code> . . . . .	219
8.4.2.2	<code>Timed</code> . . . . .	224
8.4.3	Classes . . . . .	227
8.4.3.1	<code>AbstractAsyncEvent</code> . . . . .	227
8.4.3.2	<code>AbstractAsyncEventHandler</code> . . . . .	231
8.4.3.3	<code>ActiveEventDispatcher</code> . . . . .	242
8.4.3.4	<code>AsyncEvent</code> . . . . .	243
8.4.3.5	<code>AsyncEventHandler</code> . . . . .	245
8.4.3.6	<code>AsyncLongEvent</code> . . . . .	254
8.4.3.7	<code>AsyncLongEventHandler</code> . . . . .	256
8.4.3.8	<code>AsyncObjectEvent</code> . . . . .	262
8.4.3.9	<code>AsyncObjectEventHandler</code> . . . . .	263
8.4.3.10	<code>BoundAsyncEventHandler</code> . . . . .	270
8.4.3.11	<code>BoundAsyncLongEventHandler</code> . . . . .	273
8.4.3.12	<code>BoundAsyncObjectEventHandler</code> . . . . .	276
8.5	Rationale . . . . .	279
<b>9</b>	<b>Time</b> . . . . .	<b>281</b>
9.1	Overview . . . . .	281
9.2	Definitions . . . . .	281
9.3	Semantics . . . . .	282
9.4	Package <code>javax.realtime</code> . . . . .	285
9.4.1	Classes . . . . .	285
9.4.1.1	<code>AbsoluteTime</code> . . . . .	285
9.4.1.2	<code>HighResolutionTime</code> . . . . .	297
9.4.1.3	<code>RelativeTime</code> . . . . .	306
9.5	Rationale . . . . .	317
<b>10</b>	<b>Clocks and Timers</b> . . . . .	<b>319</b>
10.1	Overview . . . . .	319
10.2	Definitions . . . . .	320
10.3	Semantics . . . . .	321
10.3.1	Clocks and Timables . . . . .	322
10.3.2	Timers . . . . .	324
10.3.2.1	Counter Model . . . . .	325

10.3.2.2	Comparator Model . . . . .	325
10.3.2.3	Triggering . . . . .	325
10.3.2.4	Behavior of Timers . . . . .	325
10.3.2.5	Phasing . . . . .	327
10.4	Package javax.realtime . . . . .	328
10.4.1	Interfaces . . . . .	328
10.4.1.1	Timable . . . . .	328
10.4.2	Classes . . . . .	329
10.4.2.1	Alarm . . . . .	329
10.4.2.2	Clock . . . . .	333
10.4.2.3	OneShotTimer . . . . .	341
10.4.2.4	PeriodicTimer . . . . .	343
10.4.2.5	TimeDispatcher . . . . .	351
10.4.2.6	Timer . . . . .	353
10.5	Rationale . . . . .	373
<b>11</b>	<b>Memory Management</b>	<b>375</b>
11.1	Overview . . . . .	375
11.1.1	Physical Memory . . . . .	376
11.1.2	Stacked Memory . . . . .	377
11.1.3	Summary . . . . .	380
11.2	Definitions . . . . .	381
11.3	Semantics . . . . .	382
11.3.1	Allocation time . . . . .	382
11.3.2	The allocation context . . . . .	382
11.3.3	The Parent Scope . . . . .	383
11.3.4	Memory areas and schedulables . . . . .	384
11.3.5	Scoped memory reference counting . . . . .	384
11.3.6	Immortal memory . . . . .	386
11.3.7	Maintaining referential integrity . . . . .	386
11.3.8	Object initialization . . . . .	387
11.3.9	Maintaining the Scope Stack . . . . .	387
11.3.10	The <code>enter</code> method . . . . .	388
11.3.11	The <code>executeInArea</code> or <code>newInstance</code> methods . . . . .	388
11.3.12	Constructor methods for Schedulables . . . . .	389
11.3.13	The Single Parent Rule . . . . .	389
11.3.14	Scope Tree Maintenance . . . . .	390
11.3.14.1	On Scope Stack Push of <code>ma</code> . . . . .	390
11.3.14.2	On Scope Stack Pop of <code>ma</code> . . . . .	390
11.4	Package javax.realtime . . . . .	392
11.4.1	Interfaces . . . . .	392

11.4.1.1	ChildScopeVisitor	392
11.4.1.2	PhysicalMemoryCharacteristic	393
11.4.1.3	PhysicalMemoryFilter	393
11.4.1.4	VirtualMemoryCharacteristic	393
11.4.2	Enumerations	394
11.4.2.1	NewPhysicalMemoryManager.CachingBehavior	394
11.4.2.2	NewPhysicalMemoryManager.PagingBehavior	395
11.4.3	Classes	396
11.4.3.1	GarbageCollector	396
11.4.3.2	HeapMemory	398
11.4.3.3	ImmortalMemory	402
11.4.3.4	ImmortalPhysicalMemory	404
11.4.3.5	LTMemory	409
11.4.3.6	LTPhysicalMemory	415
11.4.3.7	MemoryArea	419
11.4.3.8	MemoryParameters	431
11.4.3.9	NewPhysicalMemoryManager	436
11.4.3.10	PhysicalMemoryModule	439
11.4.3.11	PinnableMemory	441
11.4.3.12	ScopedMemory	443
11.4.3.13	SizeEstimator	465
11.4.3.14	StackedMemory	468
11.5	The Rationale	478
11.5.1	The scoped memory model	478
11.5.2	The physical memory model	480
11.5.2.1	Problems with the current RTSJ 1.0.2 Physical Memory Framework	482
11.5.2.2	The RTSJ 2.0 Physical Memory Framework	483
11.5.2.3	An example	485
<b>12</b>	<b>Devices and Triggering</b>	<b>489</b>
12.1	Overview	489
12.2	Definitions	490
12.3	Semantics	491
12.3.1	Raw Memory	491
12.3.1.1	Raw Memory Region	493
12.3.1.2	Raw Memory Factory	494
12.3.1.3	Stride	494
12.3.2	Direct Memory Access Support	494
12.3.3	External Triggering	495
12.3.3.1	Happenings	495

12.3.4	Interrupt Service Routines	497
12.4	Package javax.realtime.device	501
12.4.1	Interfaces	501
12.4.1.1	RawByte	501
12.4.1.2	RawByteReader	501
12.4.1.3	RawByteWriter	504
12.4.1.4	RawDouble	506
12.4.1.5	RawDoubleReader	506
12.4.1.6	RawDoubleWriter	509
12.4.1.7	RawFloat	511
12.4.1.8	RawFloatReader	512
12.4.1.9	RawFloatWriter	514
12.4.1.10	RawInt	517
12.4.1.11	RawIntReader	517
12.4.1.12	RawIntWriter	520
12.4.1.13	RawLong	522
12.4.1.14	RawLongReader	522
12.4.1.15	RawLongWriter	525
12.4.1.16	RawMemory	528
12.4.1.17	RawMemoryRegionFactory	528
12.4.1.18	RawShort	547
12.4.1.19	RawShortReader	547
12.4.1.20	RawShortWriter	550
12.4.2	Exceptions	552
12.4.2.1	UnsupportedRawMemoryRegionException	552
12.4.3	Classes	554
12.4.3.1	Happening	554
12.4.3.2	HappeningDispatcher	559
12.4.3.3	InterruptServiceRoutine	561
12.4.3.4	RawBufferFactory	564
12.4.3.5	RawMemoryFactory	567
12.4.3.6	RawMemoryRegion	589
12.5	Rationale	592
12.5.1	Raw Memory	592
12.5.1.1	Direct memory access	594
12.5.2	Interrupt Handling	595
12.5.3	An Illustrative Example	597
12.5.3.1	Software architecture	597
12.5.3.2	Device initialization	599
12.5.3.3	Responding to external happenings	600
12.5.3.4	Access to the flash controller's device registers	600

<b>13 System and Options</b>	<b>603</b>
13.1 Overview	603
13.2 Semantics	603
13.2.0.5 POSIX Signals	604
13.2.0.6 POSIX Realtime Signals	604
13.3 Package <code>javax.realtime</code>	605
13.3.1 Classes	605
13.3.1.1 <code>POSIXRealtimeSignal</code>	605
13.3.1.2 <code>POSIXRealtimeSignalDispatcher</code>	610
13.3.1.3 <code>POSIXSignal</code>	613
13.3.1.4 <code>POSIXSignalDispatcher</code>	617
13.3.1.5 <code>RealtimeSecurity</code>	621
13.3.1.6 <code>RealtimeSystem</code>	624
13.4 Rationale	628
<b>14 Exceptions</b>	<b>629</b>
14.1 Overview	629
14.1.1 Semantics	629
14.2 Package <code>javax.realtime</code>	630
14.2.1 Interfaces	630
14.2.1.1 <code>PreallocatedThrowable</code>	630
14.2.2 Exceptions	634
14.2.2.1 <code>ArrivalTimeQueueOverflowException</code>	634
14.2.2.2 <code>CeilingViolationException</code>	635
14.2.2.3 <code>DeregistrationException</code>	638
14.2.2.4 <code>DuplicateEventException</code>	639
14.2.2.5 <code>DuplicateFilterException</code>	640
14.2.2.6 <code>InaccessibleAreaException</code>	641
14.2.2.7 <code>LateStartException</code>	642
14.2.2.8 <code>MITViolationException</code>	643
14.2.2.9 <code>MemoryInUseException</code>	644
14.2.2.10 <code>MemoryScopeException</code>	645
14.2.2.11 <code>MemoryTypeConflictException</code>	646
14.2.2.12 <code>OffsetOutOfBoundsException</code>	648
14.2.2.13 <code>ProcessorAffinityException</code>	649
14.2.2.14 <code>RegistrationException</code>	650
14.2.2.15 <code>ScopedCycleException</code>	651
14.2.2.16 <code>SizeOutOfBoundsException</code>	652
14.2.2.17 <code>UnknownHappeningException</code>	654
14.2.2.18 <code>UnsupportedPhysicalMemoryException</code>	655
14.2.3 Classes	656

14.2.3.1	AlignmentError	656
14.2.3.2	BacktraceManagement	657
14.2.3.3	IllegalAssignmentError	660
14.2.3.4	MemoryAccessError	661
14.2.3.5	ResourceLimitError	662
14.2.3.6	ThrowBoundaryError	663
14.2.4	Rationale	664
<b>15</b>	<b>Deprecated Classes</b>	<b>665</b>
15.1	Overview	665
15.2	Semantics	665
15.3	Package javax.realtime	666
15.3.1	Interfaces	666
15.3.1.1	PhysicalMemoryName	666
15.3.1.2	PhysicalMemoryTypeFilter	666
15.3.2	Classes	672
15.3.2.1	NoHeapRealtimeThread	672
15.3.2.2	POSIXSignalHandler	675
15.3.2.3	PhysicalMemoryManager	683
15.3.2.4	RationalTime	692
15.3.2.5	RawMemoryAccess	693
15.3.2.6	RawMemoryFloatAccess	716
15.3.2.7	VTMemory	727
15.3.2.8	VTPhysicalMemory	733
15.4	Rationale	749
<b>16</b>	<b>Conformance, Compliance, and Portability</b>	<b>751</b>
16.1	Minimum Implementations	751
16.2	Modules	751
16.3	Optionally Required Components	751
16.3.1	Deployment Implementation	752
16.4	Simulation Implementation	753
16.5	Documentation Requirements	753
<b>A</b>	<b>Bibliography</b>	<b>755</b>

# List of Figures

8.1	The Event Class Hierarchy . . . . .	208
8.2	States of a Simple AbstractAsyncEvent . . . . .	210
8.3	States of an ActiveEvent . . . . .	212
10.1	Sequence Diagram for Using a Timer . . . . .	323
10.2	Sequence Diagram for Realtime Sleep . . . . .	324
10.3	States of a Timer . . . . .	327
11.1	Manipulation of StackedMemory Areas . . . . .	379
12.1	Raw Memory Interface . . . . .	492
12.2	Event Classes . . . . .	493
12.3	Happening State Transition Diagram . . . . .	496
12.4	Interrupt servicing . . . . .	497
12.5	Creating Raw Memory Accessors . . . . .	593
12.6	Flash memory device . . . . .	595
12.7	Flash memory classes . . . . .	597
12.8	Sequence diagram showing initialization operations . . . . .	599
12.9	Sequence diagrams showing operations to initialize the hardware device	600
12.10	The FMSocketController.handleAsync method . . . . .	601
12.11	Application usage . . . . .	602

# List of Tables

3.1	RTSJ Options . . . . .	26
12.1	Device registers . . . . .	598





# Chapter 1

## Introduction

The goal of the *Real-Time Specification for Java* (RTSJ) is to support the use of Java technology in embedded and realtime systems. It provides a specification for refining the *Java Language Specification* and the *Java Virtual Machine Specification* and of providing an extended Application Programming Interface that facilitates the creation, verification, analysis, execution, and management of realtime Java programs such as control and sensor applications.

The Java Virtual Machine and the Java Language were conceived as a portable environment for desktop and server applications. The emphasis has been on throughput and responsiveness. These are characteristics obtainable with time-sharing systems. For this conventional Java environment, it is more important that each task makes progress, than that a particular task completes within a predefined time slot.

In a realtime system, the system tries to schedule the most critical task that is ready to run first. This task runs until either until it is finished, it needs to wait for some event or data, or a more critical task is released. When it is not the most critical task in the system, i.e., a more critical task is waiting on some event or data, it can also be preempted by a more critical task that ceases to wait for its event or data.

Realtime scheduling is commonly done with a priority preemptive scheduler, where tasks that have short deadlines are given priority of tasks that have loner deadline. The programmer is responsible for encoding some notion of task importance to priorities. The goal is to see that all tasks finish within their deadlines. Scheduling analysis, such as Rate Monotonic Analysis, can be used to help determine this.

Many realtime systems have nonrealtime components, so it is desirable to be able to combine realtime and nonrealtime tasks in a single system. Realtime tasks are then given preference over nonrealtime tasks. For Java, this means that realtime tasks must be scheduled before threads with conventional Java priorities (1–10). Being able to synchronize between tasks, both realtime and conventional Java threads,

adds additional requirements.

Providing realtime semantics and the additional programming interfaces required is a core part of this specification. So much so that the original specification provided special memory areas to avoid the use of garbage collection. The availability of various techniques for realtime garbage collection has changed the state of practice. Though still part of the specification, these special memory areas are no longer central to it. Realtime scheduling and priority inversion avoidance for synchronization are the core of providing realtime response. These are provided through refinements to the base Java semantics and additional classes.

Realtime tasks can be modeled both with realtime threads and with event handlers. Realtime threads are much the same as conventional Java threads except for how they are scheduled. Event handlers encapsulate a bit of work that is done every time some event occurs. Events are referred to as asynchronous because they generally occur independent of program flow. Thus, a timed event is considered to be an asynchronous event, but scheduled periodically. Event handling provides a less resource intensive means of writing control applications because the underlying thread mechanism can be shared between event handlers. Deadline analysis is also somewhat simpler because the end of the work to be done is well bounded. Event handling is ideal for periodic tasks and responding to external impulses. The specification provides both paradigms.

Though realtime is necessary for many control tasks, it is not sufficient. A significant part of the RTSJ API addresses communication with the outside world through devices and signals. This makes it possible to write control applications without resorting to JNI, thereby maintaining the integrity and safety that Java offers.

Since not all applications need all aspects of the specification, there are now modules to suite the major application scenarios. This should make it easier for conventional JVM providers to include basic specification facilities without negatively impacting their core application domains, but still be compatible with hard realtime implementations. The goal is to make the transition between conventional JVMs and realtime JVMs easier.

## 1.1 Guiding Principles

Providing a coherent semantics and set of programming interfaces requires some guiding principles around which to organize the RTSJ. These principles delimit the scope of the RTSJ and its compatibility requirements with conventional Java.

### **1.1.1 Applicability to Particular Java Environments**

The RTSJ shall not include specifications that restrict its use to a particular Java environment, such as a particular versions of the Java Development Kit, an Embedded Java Application Environment, or a Java Edition, beyond the natural development of the Java language.

### **1.1.2 Backward Compatibility**

The RTSJ shall not prevent existing, properly written, conventional Java programs from executing on implementations of the RTSJ.

### **1.1.3 Write Once, Run Anywhere**

The RTSJ should recognize the importance of “Write Once, Run Anywhere”, but it should also recognize the difficulty of achieving WORA for realtime programs and not attempt to increase or maintain binary portability at the expense of predictability. Hence, the goal should be “Write Once Carefully, Run Anywhere Conditionally”.

### **1.1.4 Current Practice vs. Advanced Features**

The RTSJ should address current realtime system practice as well as allow future implementations to include advanced features.

### **1.1.5 Predictable Execution**

The RTSJ shall hold predictable execution as first priority in all trade-offs; this may sometimes be at the expense of typical general-purpose computing performance measures.

### **1.1.6 No Syntactic Extension**

In order to facilitate the job of tool developers, and thus to increase the likelihood of timely implementations, the RTSJ shall not introduce new keywords or make other syntactic extensions to the Java language.

### **1.1.7 Allow Variation in Implementation Decisions**

Implementations of the RTSJ may vary in a number of implementation decisions, such as the use of efficient or inefficient algorithms, trade-offs between time and space efficiency, inclusion of scheduling algorithms not required in the minimum

implementation, and variation in code path length for the execution of byte codes. The RTSJ should not mandate algorithms or specific time constants for such, but require that the semantics of the implementation be met and where necessary put limits on execution time complexity. The RTSJ offers implementers the flexibility to create implementations suited to meet the requirements of their customers.

### 1.1.8 Interoperability

It should be possible to implement all aspects of the RTSJ on a conventional JVM with the exception that realtime response and pointer assignment rules would not necessarily be guaranteed. This should ease the transition between conventional and realtime programming and aid functional testing on a conventional JVM. The API should support modules for this as well.

## 1.2 Areas of Enhancement

Each guiding principle has had a direct effect on the development of the specification. There are eight aspects of these refinements and additions in the specification. Their enumeration should aid the understanding of the rest of the specification.

### 1.2.1 Thread Scheduling and Dispatching

Portability dictates the specification of at least one standard realtime scheduler, but in light of the significant diversity in scheduling and dispatching models and the recognition that each model has wide applicability in the diverse realtime systems industry, the specification provides an underlying scheduling infrastructure that can be extended to use other scheduling algorithms for scheduling realtime Java threads and events.

The specification is constructed to allow implementations to provide unanticipated scheduling algorithms. Implementations will enable the programmatic assignment of parameters appropriate for the underlying scheduling mechanism as well as provide any necessary methods for the creation, management, admittance, and termination of realtime Java threads. For now, a particular thread scheduling and dispatching mechanism may be bound to an implementation; however, there should be enough flexibility in the thread scheduling framework to enable future versions of the specification to build on this release.

To accommodate current practice, the RTSJ shall require a base scheduler in all implementations. The required base scheduler will be familiar to realtime system programmers. It is a priority preemptive scheduler with priorities above the conventional Java priorities (1–10).

## 1.2.2 Memory Management

Automatic memory management is a particularly important feature of the Java programming environment. The specification enables, as far as possible, the job of memory management to be implemented automatically by the underlying system and not intrude on the programming task. Many automatic memory management algorithms, also known as garbage collection (GC), exist, and many of those apply to certain classes of realtime programming styles and systems. In an attempt to accommodate a diverse set of GC algorithms, the specification defines a memory allocation and reclamation paradigm that

- is independent of any particular GC algorithm,
- enables the program to precisely characterize a GC algorithm's effect on the execution time, preemption, and dispatching of realtime Java tasks, and
- enables the allocation and reclamation of objects outside of any interference by any GC algorithm.

## 1.2.3 Synchronization and Resource Sharing

Logic often requires serial access to resources and realtime systems introduce an additional complexity: the need to minimize priority inversion and hence the excessive delay of more critical tasks. The least intrusive specification for enabling realtime safe synchronization is to require that implementations of the Java keyword `synchronized` implement one or more algorithms that prevent priority inversion among realtime Java tasks that share the serialized resource. In addition, the specification provides other data passing mechanisms to minimize the need for synchronization.

## 1.2.4 Asynchronous Event Handling

Realtime systems typically interact closely with the real world. With respect to the execution of logic, the real world is asynchronous; therefore, the specification includes efficient mechanisms for programming disciplines that would accommodate this inherent asynchrony. The RTSJ has a general mechanism for asynchronous event handling. Required classes represent things that can happen and logic that executes when those things happen. The execution of the logic is scheduled and dispatched by the RTSJ runtime.

## 1.2.5 Task Interruption

Sometimes, the real world changes so drastically (and asynchronously) that the current point of logic execution should be immediately, efficiently, and safely ended and control transferred to another point of execution. The RTSJ provides a mechanism

which extends Java's exception handling to enable applications to programmatically change the locus of control of another Java task. This mechanism may restrict this asynchronous transfer of control to logic specifically written with the assumption that its locus of control may asynchronously change. Due to the inherent susceptibility to deadlock, the `Thread.stop` method cannot be used for this.

### 1.2.6 Raw Memory Access

Accessing device memory is not in and of itself a realtime issue, many realtime systems require it for providing realtime control of a system. This requires an API providing programmers with byte-level access to physical device registers, whether in main memory or in some I/O space. This API must be as efficient as possible, since such access is often under tight time constraints.

### 1.2.7 Physical Memory Access

Some systems provide memory areas that differ in important aspects, such as time to read or write data and its persistence. Being able to take advantage of these areas can have an impact on performance. This specification enables their efficient use.

### 1.2.8 Modularization

Not all applications require all aspects of the specification. In fact, having a core set of the APIs presented is useful for conventional Java programming and aids overall interoperability. To this end, the specification provides a core set of APIs and a few optional modules as well as semantics for use in conventional JVMs that do not offer realtime guarantees. This should enable implementations to be optimized for particular use cases and enable conventional Java environments to be used to help develop code that can be more easily shared between realtime and conventional systems.

# Chapter 2

## Overview

The RTSJ comprises several areas of extended semantics. These areas are discussed in approximate order of their relevance to realtime programming. The semantics and mechanisms of each of threads and scheduling, synchronization, asynchrony, clocks and timers, memory management, device access and raw memory, system options, and exceptions are all crucial to the acceptance of the RTSJ as a viable realtime development platform. Further details, exact requirements, class documentation, and rationale for these extensions are given in subsequent chapters.

### 2.1 Threads and Scheduling

One of the concerns of realtime programming is to ensure the timely and predictable execution of sequences of machine instructions. Various scheduling schemes name these sequences of instructions differently, for example, thread, task, module, or block. In Java, this computation is executed in the context of a thread. Since Java threads were designed for fair execution<sup>1</sup> rather than predictable execution, the RTSJ introduces the concept of a *schedulable*. These are the objects managed by the base scheduler: `RealtimeThread` and its subclasses and `AbstractAsyncEventHandler` and its subclasses. `RealtimeThread` is a specialization of Java's `Thread`.

*Timely execution of schedulables* means that the programmer can determine, by analysis of the program, testing the program on particular implementations, or both, whether particular threads will always complete execution before a given timeliness constraint. This is the essence of realtime programming: the addition of temporal constraints to the correctness conditions for computation. For example, for a program to compute the sum of two numbers, it may no longer be acceptable to

---

<sup>1</sup>Actually, neither the Java Virtual Machine Specification[6] nor the Java Language Specification[5] defines how Java threads should be scheduled, but most implementations, including the reference implementations, use some sort of fair scheduling.

compute only the correct arithmetic answer but the answer must be computed within a particular time interval. Typically, temporal constraints are deadlines expressed in either relative or absolute time.

The term *scheduling* (or *scheduling algorithm*) refers to the production of a sequence (or ordering) for the execution of a set of schedulables (a *schedule*). This schedule attempts to optimize a particular metric (a metric that measures how well the system is meeting the temporal constraints). A *feasibility analysis* determines if a schedule has an acceptable value for the metric. For example in hard realtime systems, the typical metric is “number of missed deadlines” and the only acceptable value for that metric is zero. So called soft realtime systems use other metrics (such as mean tardiness) and may accept various values for the metric in use.

Many systems, including most conventional Java implementations, use thread priority to guide the determination of a schedule. Priority is typically an integer associated with a thread; these integers convey to the system the order in which the threads should execute. The generalization of the concept of priority is *execution eligibility*. The term *dispatching* refers to that portion of the system which selects the thread with the highest execution eligibility from the pool of threads that are ready to run.

In current realtime system practice, the assignment of priorities is typically under programmer control as opposed to under system control. As a base scheduler for realtime tasks, the RTSJ provides preemptive priority-based first-in-first-out (FIFO) scheduler, which also leaves the assignment of priorities to programmer control. Most realtime operation systems (RTOS) are also based on priority preemptive FIFO scheduling.

The RTSJ defines a number of classes with names of the format `<string>Parameters` such as `ReleaseParameters`, which provide parameters for resource management. An instance of one of these parameter classes holds a particular resource-demand characteristic for one or more schedulables. For example, the `PriorityParameters` subclass of `SchedulingParameters` contains the execution eligibility metric of the base scheduler, i.e., a priority. At some time (construction-time or later when the parameters are replaced using setter methods), instances of parameter classes are bound to a schedulable. The schedulable then assumes the characteristics of the values in the parameter object. For example, a `PriorityParameters` instance with its priority set to the value representing the highest priority available on a system is bound to a schedulable, then that schedulable will assume the characteristic that it will execute whenever it is ready in preference to all other schedulables (except, of course, those also with the same priority).

The RTSJ provides implementers with the flexibility to install arbitrary scheduling algorithms in an implementation of the specification. This is to support the widely varying requirements of the realtime systems industry with respect to scheduling. Use of the Java platform may help produce code written once but able to be



executed on many different computing platforms. The RTSJ contributes to this goal, but the rigors of realtime systems detract from it. The RTSJ's rigorous specification of the required priority scheduler is critical for portability of time-critical code, but the RTSJ permits and supports platform-specific schedulers which are not necessarily portable.

## 2.2 Synchronization

If the computation in each thread were independent of the computation in all other threads, scheduling alone would be enough to ensure timeliness; however, this is usually not the case. Threads often need to communicate with one another or share data. Resources must be shared as well. Two threads cannot read different data from the disk at the same time nor write data to a disk at the same time. They cannot send a message to another machine at the same time. They cannot update the same in memory data at the same time. One thread may have to wait for another thread to get the data it needs. Just as in a normal system, synchronization is required. In a realtime system, this synchronization must not prevent other threads from completing their tasks on time.

### 2.2.1 Priority Inversion

The additional concern for synchronization in a realtime system, as opposed to a conventional system, is that blocking can cause the wrong thread to run first. A high priority thread can be blocked by a low priority thread that is vying for the same resource. A priority queue can be used to ensure that a highest priority thread goes first, when more than one thread is waiting to enter a synchronized block, but this is not always sufficient.

Consider a single processor system with three threads,  $t_1$ ,  $t_2$ , and  $t_3$ , where  $t_1$  has the highest priority and  $t_3$  has the lowest priority. It is possible that  $t_2$  can prevent  $t_1$  from running by preempting  $t_3$ . This is called priority inversion. It occurs when  $t_1$  is blocked by attempting to acquire a lock that is held by thread  $t_3$  and  $t_3$  is preempted by  $t_2$ . When  $t_2$  does run, it may prevent  $t_3$  from running indefinitely, thereby keeping  $t_1$  blocked past its deadline.

What is needed is a mechanism to ensure that, while  $t_1$  is waiting on a resource in use by  $t_3$ , thread  $t_3$  runs before all threads with a priority less than that of  $t_1$ .

### 2.2.2 Priority Inversion Avoidance

Two of the most common mechanisms for avoiding priority inversion are priority inheritance and priority ceiling emulation (a.k.a. highest locker protocol). Both of

these boost the priority of a thread holding the lock in order to prevent a noncontending thread from transitively blocking a higher priority thread which is waiting for the same lock. The difference is how high the priority is raised and when. Both take effect when a thread is in a **synchronized** section of code.

The first is the default behavior for **synchronized** blocks and methods. It applies to all code running within the implementation, not just to **schedulables**. The priority inheritance protocol is a well-known algorithm in the realtime scheduling literature and it has the following effect. If thread  $t_1$  attempts to acquire a lock that is held by a lower-priority thread  $t_3$ , then  $t_3$ 's priority is raised to that of  $t_1$  as long as  $t_3$  holds the lock (and recursively if  $t_3$  is itself waiting to acquire a lock held by an even lower-priority thread).

The specification also provides a mechanism by which the programmer can override the default system-wide policy, or control the policy to be used for a particular monitor, provided that policy is supported by the implementation. The second policy, priority ceiling emulation protocol, can be set using this mechanism. It is also a well-known algorithm in the literature. The following three points provide a somewhat simplified description of its effect.

- A monitor is given a “priority ceiling” when it is created; the programmer should choose at least the highest priority of any thread that could attempt to enter the monitor.
- As soon as a thread enters synchronized code, its (active) priority is raised to the monitor's ceiling priority. If, through programming error, a thread has a higher base priority than the ceiling of the monitor it is attempting to enter, then an exception is thrown.
- On leaving the monitor, the thread has its active priority reset. In simple cases it will set be to the thread's previous active priority, but under some circumstances (e.g. a dynamic change to the thread's base priority while it was in the monitor) a different value is possible.

In addition, threads and asynchronous event handlers waiting to acquire a resource must be released from highest to lowest priority (in priority order). This applies to processors as well as to synchronized blocks. If schedulables with the same priority are possible under the active scheduling policy, such schedulables are awakened in FIFO order. This is exemplified in the following scenarios.

- Threads waiting to enter synchronized blocks are granted access to the synchronized block in priority order.
- A blocked thread that becomes ready to run is given access to a processor in priority order.
- A thread whose priority is explicitly set by itself or another thread is given access to a processor in priority order.
- A thread that performs a yield will be given access to the processor after waiting threads of the same execution eligibility.

- Threads that are preempted in favor of a thread with higher priority may be given access to a processor at any time as determined by a particular implementation. The implementation is required to provide documentation stating exactly the algorithm used for granting such access.

In any case, there needs to be a fixed upper bound on the time required to enter a synchronized block for an unlocked monitor.

### 2.2.3 Execution Eligibility

Since an implementation of the RTSJ may provide schedulers other than priority-based schedulers, the notion of priority can be generalized to execution eligibility. Execution eligibility defines a partial ordering over all tasks for determining which task should run before which other tasks. Execution eligibility may be determined dynamically. For example, earliest deadline first (EDF) scheduling determines execution eligibility ordering by the order of the next deadlines for each of its tasks. The notion of priority, as described above, can be generalized to execution eligibility to integrate other schedulers into an RTSJ implementation.

### 2.2.4 Wait-Free Queues

While the RTSJ requires that the execution of schedulables which do not access the heap must not be delayed by garbage collection on behalf of lower-priority schedulables, an application can cause such a schedulable to wait for garbage collection by synchronizing using an object shared with a heap-using thread or schedulable. The RTSJ provides wait-free queue classes to provide protected, non-blocking, shared access to objects accessed by both regular Java threads and schedulables, which do not access the heap.

## 2.3 Asynchrony

Since a realtime system must be able to react to the outside world, the system needs to be able to change its execution flow asynchronously to the current execution. All external signals, whether interrupts, messages, or timed events, are asynchronous with respect to ongoing computation. This means that computation must be both startable and stoppable based on external stimuli.

### 2.3.1 Asynchronous Events

Asynchronous event provide a means of starting computation based on external stimuli. The asynchronous event facility is based on two classes: `AbstractAsync-`

`Event` and `AbstractAsyncEventHandler`. An `AbstractAsyncEvent` object represents something that can happen, like a POSIX signal, a hardware interrupt, or a computed event like an airplane entering a specified region. When one of these events occurs, which is indicated by the `fire()` method being called, the associated instances of `AbstractAsyncEventHandler` are scheduled and the `handleAsyncEvent()` methods are invoked, thus the required logic is performed. Also, methods on `AbstractAsyncEvent` are provided to manage the set of instances of `AbstractAsyncEventHandler` associated with the instance of `AbstractAsyncEvent`.

An instance of an `AbstractAsyncEventHandler` can be thought of as something similar to a thread. When an event fires, the associated handlers are scheduled and the `handleAsyncEvent()` methods are invoked. What distinguishes an `AbstractAsyncEventHandler` from a simple `Runnable` is that an `AbstractAsyncEventHandler` has associated instances of `ReleaseParameters`, `SchedulingParameters` and `MemoryParameters` that control the actual execution of the handler once the associated `AbstractAsyncEvent` is fired. When an event is fired, the handlers are executed asynchronously, scheduled according to the associated `ReleaseParameters` and `SchedulingParameters` objects, in a manner that looks like the handler has just been assigned to its own thread. It is intended that the system can cope well with situations where there are large numbers of instances of `AbstractAsyncEvent` and `AbstractAsyncEventHandler` (tens of thousands), since the number of fired (in process) handlers is expected to be much smaller.

There are specialized forms of `AbstractAsyncEvent`: `AsyncEvent`, `AsyncLongEvent`, and `AsyncObjectEvent` for events that are stateless, carry a `long` payload, and carry an `Object` payload, respectively. They are matched by specialized forms of `AbstractAsyncEventHandler`: `AsyncEventHandler`, `AsyncLongEventHandler`, and `AsyncObjectEventHandler`. Most external events are stateless, but sometimes it is helpful to be able to receive some information about the event or pass some data with the event. The `Long` and `Object` variants enable this and the new `POSIXRealtimeSignal` takes advantage of it.

Another specialized form of an `AsyncEvent` is the `Timer` class, which represents an event whose occurrence is driven by time. There are two forms of Timers: the `OneShotTimer` and the `PeriodicTimer`. Instances of `OneShotTimer` fire once, at the specified time. Periodic timers fire initially at the specified time, and then periodically according to a specified interval.

Timers are driven by `Clock` objects. There is a special `Clock` object, `Clock.getRealtimeClock()`, that represents the realtime clock. The `Clock` class may be extended to represent other clocks, which the underlying system might make available (such as an execution time clock of some granularity).

### 2.3.2 Asynchronous Transfer of Control

Many event-driven computer systems that tightly interact with external physical systems (e.g., humans, machines, control processes, etc.) may require mode changes in their computational behavior as a result of significant changes in the non-computer real-world system. It simplifies the architecture of a system when a task can be programmatically terminated when an external physical system change causes its computation to be superfluous. Without this facility, a thread or set of threads have to be coded so that their computational behavior anticipates all of the possible transitions among possible states of the external system. When the external system makes a state transition, the changes in computation behavior can be managed by an oracle that terminates a set of threads required for the old state of the external system, and invokes a new set of threads appropriate for the new state of the external system. Since the possible state transitions of the external system are encoded in only the oracle and not in each thread, the overall system design is simpler.

There is a second requirement for a mechanism to terminate some computation, where a potentially unbounded computation needs to be done in a bounded period of time. In this case, if that computation can be executed with an algorithm that is iterative, and produces successively refined results, the system could abandon the computation early and still have usable results. The RTSJ supports aborting a computation by signalling from another thread with a feature termed Asynchronous Transfer of Control (ATC).

An example of the second case is processing compressed video for a human controller. The system knows that a new frame must be produced at a constant update frequency. The cost of each iteration is highly variable and the minimum required latency to terminate the computation and receive the last consistent result is much less than the mean iteration cost and bound. Therefore, using ATC for interrupting a computation to capture an intermediate result at the expiration of a known time bound is a convenient programming style. Of course, there are other kinds programming tasks that may also benefit from ATC.

### 2.3.3 Principles

The RTSJ's approach to ATC uses asynchronous interruptions and is based on several guiding principles covering methodology, expressiveness, semantics, and pragmatic concerns.

#### 2.3.3.0.1 Methodological Principles

- A method must explicitly indicate its susceptibility to ATC, i.e., it is asynchronously interruptible. Since legacy code or library methods might have

been written assuming no ATC, by default ATC must be turned off (more precisely, must be deferred as long as control is in such code).

- Even if a method allows ATC, some code sections must be executed to completion and thus ATC is deferred in such sections. These ATC-deferred sections are synchronized methods, static initializers, and synchronized statements.
- Code that responds to an ATC does not return to the point in the schedulable where the ATC was triggered; that is, an ATC is an unconditional transfer of control. Resumptive semantics, which returns control from the handler to the point of interruption, are not needed since they can be achieved through other mechanisms (in particular, an `AsyncEventHandler`).

#### 2.3.3.0.2 Expressibility Principles

- A mechanism is needed through which an ATC can be explicitly triggered in a target schedulable. This triggering may be direct (from a source thread or schedulable) or indirect (through an asynchronously interrupted exception).
- It must be possible to trigger an ATC based on any asynchronous event including an external happening or an explicit event firing from another thread or schedulable. In particular, it must be possible to base an ATC on a timer going off.
- Through ATC it must be possible to abort a realtime thread but in a manner that does not carry the dangers of the `Thread` class's `stop()` and `destroy()` methods.

#### 2.3.3.0.3 Semantic Principles

- If ATC is modeled by exception handling, there must be some way to ensure that an asynchronous exception is only caught by the intended handler and not, for example, by an all-purpose handler that happens to be on the propagation path.
- Nested ATCs must work properly. For example, consider two, nested ATC-based timers and assume that the outer timer has a shorter time-out than the nested, inner timer. If the outer timer times out while control is in the nested code of the inner timer, then the nested code must be aborted (as soon as it is outside an ATC-deferred section), and control must then transfer to the appropriate `catch` clause for the outer timer. An implementation that either handles the outer time-out in the nested code, or that waits for the longer (nested) timer, is incorrect.

#### 2.3.3.0.4 Pragmatic Principles

- There should be straightforward idioms for common cases such as timer handlers and realtime thread termination.

- If code with a time-out completes before the timer's expiration, the timer needs to be automatically stopped and its resources returned to the system.

### 2.3.4 Asynchronous Realtime Thread Termination

A special case of stopping a particular computation is stopping a thread. Earlier versions of the Java language supplied mechanisms for achieving these effects: in particular the methods `stop()` and `destroy()` in class `Thread`. However, since `stop()` could leave shared objects in an inconsistent state, `stop()` has been deprecated. The use of `destroy()` can lead to deadlock (if a thread is destroyed while it is holding a lock) and although it was not deprecated until version 1.5 of the Java specification, its usage has long been discouraged. A goal of the RTSJ was to meet the requirements of asynchronous thread termination without introducing the dangers of the `stop()` or `destroy()` methods.

The RTSJ accommodates safe asynchronous realtime thread termination through a combination of the asynchronous event handling and the asynchronous transfer of control mechanisms. To create such a set of realtime threads consider the following steps:

- make all of the application methods of the realtime thread asynchronously interruptible;
- create an oracle which monitors the external world by setting up an asynchronous event with a number of asynchronous event handlers, which is fired when an appropriate mode change;
- have the handlers call `interrupt()` on each of the realtime threads affected by the change; then
- after the handlers call `interrupt()`, have them create a new set of realtime threads appropriate to the current state of the external world.

The effect of the event is to cause each interruptible method to abort abnormally by transferring control to the appropriate catch clause. Ultimately the `run()` method of the realtime thread will complete normally.

This idiom provides a quick (if coded to be so) but orderly clean up and termination of the realtime thread. Note that the oracle can comprise as many or as few asynchronous event handlers as appropriate.

## 2.4 Clocks, Time, and Timers

Realtime systems require a high resolution notion of time. Both very small units and very long periods of time must be uniformly representable, a range that is not even representable with a `long` value. Furthermore, a time can represent an absolute value, usually represented as some absolute fixed point in time plus an offset, or it

can represent an interval of time. The time classes defined in Chapter 9 support a long worth of seconds and another integer for nanoseconds.

## 2.5 Memory Management

The Java language is designed around automatic memory management, in particular garbage collection. Unfortunately, though garbage collection is a functional safety and security feature, conventional garbage collectors interrupt the normal flow of control in a program. Therefore, garbage-collected memory heaps had been considered an obstacle to realtime programming due to the potential for unpredictable latencies introduced by the garbage collector. Though convention collectors still have these drawbacks, there are now realtime collectors that can be used for hard realtime application. Still, the RTSJ provides an alternative to garbage collection for systems which require it, either because they do not have a garbage collector or deterministic garbage collector, or require heap partitioning for some other reason. Extensions to the memory model, which support memory management in a manner that does not interfere with the ability of realtime code to provide deterministic behavior, are provided to support these alternatives. This goal is accomplished by providing memory areas for the allocation of objects outside of the garbage-collected heap for both short-lived and long-lived objects. In order to provide additional separation between the garbage collector and schedulables which do not require its services, a schedulable can be marked no-heap to indicate that it never accesses the heap.

### 2.5.1 Memory Areas

The RTSJ introduces the concept of a memory area. A memory area represents an area of memory that may be used for allocating objects. Some memory areas exist outside of the heap and place restrictions on what the system and garbage collector may do with objects allocated within. Objects in some memory areas are never garbage collected; however, the garbage collector must be capable of scanning these memory areas for references to any object within the heap to preserve the integrity of the heap.

There are four basic types of memory areas:

- Scoped memory provides a mechanism, more general than stack allocated objects, for managing objects that have a lifetime defined by scope.
- Physical memory allows objects to be created within specific physical memory regions that have particular important characteristics, such as memory that has substantially faster access.



- Immortal memory represents an area of memory containing objects that may be referenced without exception or garbage collection delay by any schedulable, specifically including no-heap realtime threads and no-heap asynchronous event handlers.
- Heap memory represents an area of memory that is the heap. The RTSJ does not change the determinant of lifetime of objects on the heap. The lifetime is still determined by visibility.

### 2.5.2 Heap Memory

Heap memory is the memory area used by Java by default. It is garbage collected and the access time to objects in this area are not guaranteed unless the implementation supports realtime garbage collection. The RTSJ, as with conventional Java, supports only one Heap in a system. Multiple heaps are only practical in one of two configurations: the heaps are completely independent of one another or there are subsidiary heaps from which a program may not store references in the main heap. In other words, the subsidiary heaps can reference the main heap but not vice versa. Currently, the RTSJ does not address these cases.

### 2.5.3 Immortal Memory

`ImmortalMemory` is a memory resource shared among all schedulable objects and threads in an application. Objects allocated in `ImmortalMemory` are always available to non-heap threads and asynchronous event handlers without the possibility of a delay for garbage collection.

### 2.5.4 Scoped Memory

The RTSJ introduces the concept of scoped memory. A memory scope is used to give bounds to the lifetime of any objects allocated within it. When a scope is entered, every use of `new` causes the memory to be allocated from the active memory scope. A scope may be entered explicitly, or it can be attached to a schedulable which will effectively enter the scope before it executes the object's `run()` method.

The contents of a scoped memory are discarded when no object in the scope can be referenced. This is done by a technique similar to reference counting the scope. A conformant implementation might maintain a count of the number of external references to each memory area. The reference count for a `ScopedMemory` area would be increased by entering a new scope through the `enter()` method of `MemoryArea`, by the creation of a schedulable using the particular `ScopedMemory` area, or by the opening of an inner scope. The reference count for a `ScopedMemory` area would be decreased when returning from the `enter()` method, when the schedulable using the

`ScopedMemory` terminates, or when an inner scope returns from its `enter()` method. When the count drops to zero, the `finalize` method for each object in the memory would be executed to completion. Reuse of the scope is blocked until finalization is complete.

Scopes may be nested. When a nested scope is entered, all subsequent allocations are taken from the memory associated with the new scope. When the nested scope is exited, the previous scope is restored and subsequent allocations are again taken from that scope.

Because of the lifetimes of scoped objects, it is necessary to limit the references to scoped objects, by means of a restricted set of assignment rules. A reference to a scoped object cannot be assigned to a variable from an outer scope, or to a field of an object in either the heap or the immortal area. A reference to a scoped object may only be assigned into the same scope or into an inner scope. The virtual machine must detect illegal assignment attempts and must throw an appropriate exception when they occur.

The flexibility provided in choice of scoped memory types allows the application to use a memory area that has characteristics that are appropriate to a particular syntactically defined region of the code.

### 2.5.5 Physical Memory Areas

In many cases, systems needing the predictable execution of the RTSJ will also need to access various kinds of memory at particular addresses for performance or other reasons. Consider a system in which very fast static RAM was programmatically available. A design that could optimize performance might wish to place various frequently used Java objects in the fast static RAM. The `LTPhysicalMemory` and `ImmortalPhysicalMemory` classes provide the programmer this flexibility. The programmer would construct a physical memory object on the memory addresses occupied by the fast RAM.

### 2.5.6 Budgeted Allocation

The RTSJ also provides limited support for providing memory allocation budgets for schedulables using memory areas. Maximum memory area consumption and maximum allocation rates for individual schedulable objects may be specified when they are created.

## 2.6 Device Access and Raw Memory

The RTSJ defines classes for programmers wishing to directly access physical memory from code written in the Java language. The `RawMemory<Size>` types define methods that enable the programmer to construct an object that represents a range of physical addresses, where the `Size` represents a word size, i.e., byte, short, int, long, float, and double. Access to the physical memory is then accomplished through `get<Size>()` and `set<Size>()` methods of that object. No semantics other than the `set<Size>()` and `get<Size>()` methods are implied. On the other hand, the `LTPhysicalMemory` and `ImmortalPhysicalMemory` classes enable programmers to construct an object that represents a range of physical memory addresses. When this object is used as a `MemoryArea` other objects can be constructed in the physical memory using the `new` keyword as appropriate. Factories can be used to create the desired type of both physical and raw memory.

### 2.6.1 Raw Memory Access

An instance of `RawMemoryType` models a range of physical memory locations as a fixed sequence of elements of a given size. The elements correspond to Java primitive types. For objects that access more than a single physical address, elements can be accessed through offsets from the base, where the offset is measured in multiples of the element size, not necessarily the byte offset in memory.

The `RawMemoryType` interface enables a realtime program to implement device drivers, memory-mapped registers, I/O space mapped registers, flash memory, battery-backed RAM, and similar low-level hardware.

A raw memory area cannot contain references to Java objects. Such a capability would be unsafe (since it could be used to defeat Java's type checking) and error prone (since it is sensitive to the specific representational choices made by the Java compiler).

## 2.7 System Options

POSIX defines some convenient interfaces for interacting with the system. These interactions include catching keyboard interrupts, user-to-process signaling, and interprocess signaling. Many realtime operating systems support this POSIX signal interface. For this reason, the RTSJ provides a POSIX signal interface. Though many of the features POSIX signals provide are also available on most other operating systems, the specification does not require the POSIX signal interface to be emulated on these other platforms. Thus they are optional in the sense that they are only required on systems that directly support POSIX signals.

## 2.8 Exceptions

Aside from several new exceptions, the RTSJ provides a new interface for using exceptions without creating ephemeral objects and some new treatment of exceptions surrounding asynchronous transfer of control.

Using exceptions is resource intensive, since a new exception is allocated for each throw. This is particularly a problem for scoped memory, since scopes may need to be sized much larger than otherwise necessary to hold exceptions and their stack traces. Additionally, the information they contain cannot be propagated beyond the scope in which they are allocated. To better support scoped, immortal, and physical memory, a new class of throwable has been included: `PreallocatedThrowable`. Exceptions and Errors which implement this interface are not thrown in the usual manner, but with a style that does not require memory to be allocated at all.

Asynchronous transfer of control can cause the exception that triggered it to be propagated even when it is caught but the underlying interrupt is not cleared. The system rethrows the exception once the catch is finished. This is necessary since the exception hierarchy is poorly designed. There is no common base class only for all checked exceptions, so use code often contains a catch for `Exception` when only checked exceptions need to be caught. Even the JVM specification wording is awkward on this point.

## 2.9 Summary

The RTSJ refines the semantics of threads, scheduling, synchronization, memory management, and exceptions and adds features to support realtime threads, realtime scheduling, configuring synchronization, asynchrony, representing time, clocks and timers, additional methods for memory management, device access and raw memory, system options. These features and semantic refinements to the Java language and virtual machine have been outlined above, but the description does not constitute a definition for them. In other words, it is not normative. The normative chapters follow.

# Chapter 3

## Requirements and Conventions

This specification is a contract between the specification implementer and the user who writes a program to run on an implementation. To be able to support both implementation and use, many chapters provide additional rationale to help both the implenter and the user understand the intention behind the normative text. The remainder of this specification, including this chapter, is normative, except for the introductory text in each chapter and the sections named Example Usage and Rationale.

### 3.1 Base Requirements

The base requirements of this specification are as follows.

- Except as specifically required by this specification, any implementation shall fully conform to a Java platform configuration.
- Any implementation of this specification shall implement all classes and methods in the base module of this specification.
- Except as noted in this chapter, all classes and methods in an implemented module shall be implemented.
- The `javax.realtime` package shall contain no public or protected methods not included in this specification.
- A realtime JVM implementation shall not be implemented in a way that permits unbounded priority inversion in any scheduling interaction it implements.
- Subject to the usual assumptions, the methods in `javax.realtime` can safely be used concurrently by multiple threads unless otherwise documented.
- Static final values, as found in `AperiodicParameters`, `PhysicalMemoryManager`, `SporadicParameters`, `RealtimeSystem`, and `PriorityScheduler`, shall be implemented such that their values cannot be resolved by a conformant Java compiler (Java source to byte code).

Many aspects of this specification set a minimum requirement, but permit the implementation latitude in its implementation. For instance, the required priority scheduler requires at least 28 consecutively numbered realtime priorities. It does not, however, specify the numeric values of the maximum and minimum realtime priorities. Implementations are encouraged to offer as many realtime priority levels immediately above the conventional Java priorities as they can support.

Except where otherwise specified, when this specification requires object creation the object is created in the current allocation context.

## 3.2 Modules

The original RTSJ specification was conceived, with the exception of some optional features, as a monolith specification. This has inhibited the adoption of the RTSJ beyond the hard realtime community, because some of the features were considered to have an overly negative impact on overall JVM performance. Version 2.0 addresses this by breaking the specification into modules.

Modules provide a means of grouping like functionality together in a way that promotes maximal adoption for various implementation classes. A conventional JVM could simply implement the Base Module, without providing any realtime guarantees at all, to provide programmers with the benefits of features such as asynchronous event programming as an alternative to conventional threading. A hard realtime implementation could implement all modules to provide the maximal flexibility and functionality to the realtime programmer. Both would benefit from easier migration of code to realtime systems.

Every RTSJ implementation shall provide the Base Module functionality, but all other modules are optional. The optional modules are the Device Module and the Alternate Memory Management module. In addition, there are a couple of optional features as well. This gives the implementation some choice over which modules and features to include and which not.

### 3.2.1 Base Module

The Base Module adds the concepts of processor affinity, threads with realtime scheduling, and asynchronous event handling. This includes the notion of executing code at a given time interval, providing a much more stable response than using `sleep` in a loop. These features should have no impact on the overall performance of a system that implements them, but enrich the programming modules available to the programmer. The classes and interfaces required in this module are listed below.

- [AbsoluteTime](#) (Section 9.4.1.1)

- [AbstractAsyncEventHandler](#)<sup>1</sup> (Section 8.4.3.2)
- [AbstractAsyncEvent](#) (Section 8.4.3.1)
- [ActiveEventDispatcher](#) (Section 8.4.3.3)
- [ActiveEvent](#) (Section 8.4.1.1)
- [Affinity](#) (Section 6.4.2.1)
- [Alarm](#) (Section 10.4.2.1)
- [AperiodicParameters](#) (Section 6.4.2.2)
- [ArrivalTimeQueueOverflowException](#) (Section 14.2.2.1)
- [AsyncEventHandler](#) (Section 8.4.3.5)
- [AsyncEvent](#) (Section 8.4.3.4)
- [AsyncLongEventHandler](#) (Section 8.4.3.7)
- [AsyncLongEvent](#) (Section 8.4.3.6)
- [AsyncObjectEventHandler](#) (Section 8.4.3.9)
- [AsyncObjectEvent](#) (Section 8.4.3.8)
- [BoundAbstractAsyncEventHandler](#) (Section 8.4.1.2)
- [BoundAsyncEventHandler](#) (Section 8.4.3.10)
- [BoundAsyncLongEventHandler](#) (Section 8.4.3.11)
- [BoundAsyncObjectEventHandler](#) (Section 8.4.3.12)
- [CeilingViolationException](#) (Section 14.2.2.2)
- [Clock](#) (Section 10.4.2.2)
- [ConfigurationParameters](#) (Section 5.3.2.1)
- [DeregistrationException](#) (Section 14.2.2.3)
- [DuplicateFilterException](#) (Section 14.2.2.5)
- [GarbageCollector](#) (Section 11.4.3.1)
- [HeapMemory](#) (Section 11.4.3.2)
- [HighResolutionTime](#) (Section 9.4.1.2)
- [ImportanceParameters](#) (Section 6.4.2.3)
- [LateStartException](#) (Section 14.2.2.7)
- [MemoryArea](#) (Section 11.4.3.7)
- [MonitorControl](#) (Section 7.3.1.1)
- [OneShotTimer](#) (Section 10.4.2.3)
- [PeriodicParameters](#) (Section 6.4.2.4)
- [PeriodicTimer](#) (Section 10.4.2.4)
- [PhasingPolicy](#) (Section 5.3.1.1)
- [PriorityInheritance](#) (Section 7.3.1.3)
- [PriorityParameters](#) (Section 6.4.2.5)
- [PriorityScheduler](#) (Section 6.4.2.6)
- [ProcessingGroupParameters](#) (Section 6.4.2.7)
- [ProcessorAffinityException](#) (Section 14.2.2.13)

---

<sup>1</sup>The no-heap flag is present, but can only be set if the Memory Module is supported.

- [RealtimeSecurity](#) (Section 13.3.1.5)
- [RealtimeSystem](#) (Section 13.3.1.6)
- [RealtimeThread](#) (Section 5.3.2.2)
- [RegistrationException](#) (Section 14.2.2.14)
- [RelativeTime](#) (Section 9.4.1.3)
- [ReleaseParameters](#) (Section 6.4.2.8)
- [ResourceLimitError](#) (Section 14.2.3.5)
- [Schedulable](#) (Section 6.4.1.2)
- [Scheduler](#) (Section 6.4.2.9)
- [SchedulingParameters](#) (Section 6.4.2.10)
- [SporadicParameters](#) (Section 6.4.2.11)
- [Timable](#) (Section 10.4.1.1)
- [TimeDispatcher](#) (Section 10.4.2.5)
- [Timer](#) (Section 10.4.2.6)

### 3.2.2 Device Module

The Device Module provides a low level interface for interacting with real world. Though realtime control systems need this kind of interaction, other systems can benefit from it as well. Data collection, that is not time critical is a good example. For instance, monitoring the temperature or humidity in a room could be done easily with off-the-self hardware using this module. The classes required in this module are listed below.

- [Happening](#) (Section 12.4.3.1)
- [HappeningDispatcher](#) (Section 12.4.3.2)
- [POSIXRealtimeSignal](#) (Section 13.3.1.1)
- [POSIXRealtimeSignalDispatcher](#) (Section 13.3.1.2)
- [POSIXSignal](#) (Section 13.3.1.3)
- [POSIXSignalDispatcher](#) (Section 13.3.1.4)
- [RawBufferFactory](#) (Section 12.4.3.4)
- [RawMemory](#) (Section 12.4.1.16)
- [RawMemoryFactory](#) (Section 12.4.3.5)
- [RawMemoryRegion](#) (Section 12.4.3.6)
- [RawMemoryRegionFactory](#) (Section 12.4.1.17)
- [UnsupportedRawMemoryRegionException](#) (Section 12.4.2.1)
- [RawByte](#) (Section 12.4.1.1)
- [RawByteReader](#) (Section 12.4.1.2)
- [RawByteWriter](#) (Section 12.4.1.3)
- [RawDouble](#) (Section 12.4.1.4)
- [RawDoubleReader](#) (Section 12.4.1.5)
- [RawDoubleWriter](#) (Section 12.4.1.6)



- [RawFloat](#) (Section 12.4.1.7)
- [RawFloatReader](#) (Section 12.4.1.8)
- [RawFloatWriter](#) (Section 12.4.1.9)
- [RawInt](#) (Section 12.4.1.10)
- [RawIntReader](#) (Section 12.4.1.11)
- [RawIntWriter](#) (Section 12.4.1.12)
- [RawLong](#) (Section 12.4.1.13)
- [RawLongReader](#) (Section 12.4.1.14)
- [RawLongWriter](#) (Section 12.4.1.15)
- [RawMemoryFactory](#) (Section 12.4.3.5)
- [RawMemoryRegionFactory](#) (Section 12.4.1.17)
- [RawShort](#) (Section 12.4.1.18)
- [RawShortReader](#) (Section 12.4.1.19)
- [RawShortWriter](#) (Section 12.4.1.20)

### 3.2.3 Alternate Memory Management Module

The Alternate Memory Management Module provides an alternative to a single heap with garbage collection model for memory management. Most of the facilities are centered around providing an alternative to garbage collection, but facilities for providing what memory to use for Java objects is also addressed. The classes required in this module are listed below.

- [AlignmentError](#) (Section 14.2.3.1)
- [ChildScopeVisitor](#) (Section 11.4.1.1)
- [IllegalAssignmentError](#) (Section 14.2.3.3)
- [ImmortalMemory](#) (Section 11.4.3.3)
- [ImmortalPhysicalMemory](#) (Section 11.4.3.4)
- [InaccessibleAreaException](#) (Section 14.2.2.6)
- [LTMemory](#) (Section 11.4.3.5)
- [LTPhysicalMemory](#) (Section 11.4.3.6)
- [MemoryAccessError](#) (Section 14.2.3.4)
- [MemoryInUseException](#) (Section 14.2.2.9)
- [MemoryParameters](#) (Section 11.4.3.8)
- [MemoryScopeException](#) (Section 14.2.2.10)
- [MemoryTypeConflictException](#) (Section 14.2.2.11)
- [MITViolationException](#) (Section 14.2.2.8)
- [NewPhysicalMemoryManager](#) (Section 11.4.3.9)
- [NoHeapRealtmeThread](#) (Section 15.3.2.1)
- [OffsetOutOfBoundsException](#) (Section 14.2.2.12)
- [PhysicalMemoryCharacteristic](#) (Section 11.4.1.2)
- [PhysicalMemoryFilter](#) (Section 11.4.1.3)

- [PhysicalMemoryManager](#) (Section 15.3.2.3)
- [PhysicalMemoryModule](#) (Section 11.4.3.10)
- [PhysicalMemoryName](#) (Section 15.3.1.1)
- [PhysicalMemoryTypeFilter](#) (Section 15.3.1.2)
- [PinnableMemory](#) (Section 11.4.3.11)
- [ScopedCycleException](#) (Section 14.2.2.15)
- [ScopedMemory](#) (Section 11.4.3.12)
- [SizeEstimator](#) (Section 11.4.3.13)
- [SizeOutOfBoundsException](#) (Section 14.2.2.16)
- [StackedMemory](#) (Section 11.4.3.14)
- [ThrowBoundaryError](#) (Section 14.2.3.6)
- [UnsupportedPhysicalMemoryException](#) (Section 14.2.2.18)
- [VirtualMemoryCharacteristic](#) (Section 11.4.1.4)
- [WaitFreeReadQueue](#) (Section 7.3.1.5)
- [WaitFreeWriteQueue](#) (Section 7.3.1.6)

### 3.2.4 Optional Features

Even with modules it is difficult to eliminate all optional features. These features are either not easy to implement on all platforms or have the potential to cause a significant performance overhead. Therefore, an application cannot depend on them to be present in every implementation. However, if an optional facility is implemented, the application may rely on it to behave as specified here. Those extensions are illustrated in table 3.1.

Table 3.1: RTSJ Options

Cost enforcement	Enables the application to control the processor utilization of a schedulable.
Processing Group enforcement	Enables the application to control the processor utilization of a group of schedulables
Processing Group deadline less than period	Enables the application to specify a processing group deadline less than the processing group period
Allocation-rate enforcement on heap allocation	Enables the application to limit the rate at which a schedulable creates objects in the heap.
Interrupt Service Routine	Provides first level interrupt processing in Java.
Asynchronous Transfer of Control (ATC)	Enables schedules to be interrupted asynchronously.

The `ProcessingGroupParameters` class is only functional on systems that sup-

port the processing group enforcement option. Cost enforcement, and cost overruns handlers are only functional on systems that support the cost enforcement option. If processing group enforcement is supported, `ProcessingGroupParameters` shall function as specified. If cost enforcement is supported, cost enforcement, and cost overrun handlers shall function as specified.

In implementations where the processing group deadline less than period is not supported, values passed to the constructor for `ProcessingGroupParameters` and its `setDeadline` method are constrained to be equal to the period. If the option is supported, processing group deadlines less than the period shall be supported and function as specified.

In implementations where heap allocation rate enforcement is supported, it shall be implemented as specified. If heap allocation rate enforcement is not supported, the allocation rate attribute of `MemoryParameters` shall be checked for validity but otherwise ignored by the implementation.

First level interrupt handling can only be supported in certain contexts, such as in kernel space and in a device driver context in user space on systems that support this feature. Normally user space programs cannot handle interrupts directly. The class should be present in every system that implements the device module, but in implementations that do not support first level interrupt handling, the `register` should always throw an `UnsupportedOperationException`.

ATC, if implemented, requires the following classes:

- `Timed` (Section 8.4.2.2)
- `AsynchronouslyInterruptedException` (Section 8.4.2.1)
- `Interruptible` (Section 8.4.1.3)
- `InterruptServiceRoutine` (Section 12.4.3.3)

Extensions to this specification are allowed, but shall not require changes to the `javax.realtime` package tree.

### 3.2.5 Deprecated Classes

Classes that have been deprecated as of this specification are not part of any module, but may be implemented by a full RTSJ implementation. They comprise the following class:

- `PhysicalMemoryManager` (Section 15.3.2.3)
- `PhysicalMemoryName` (Section 15.3.1.1)
- `PhysicalMemoryTypeFilter` (Section 15.3.1.2)
- `POSIXSignalHandler` (Section 15.3.2.2)
- `RationalTime` (Section 15.3.2.4)
- `RawMemoryAccess` (Section 15.3.2.5)
- `RawMemoryFloatAccess` (Section 15.3.2.6)
- `VTMemory` (Section 15.3.2.7)

- `VTPhysicalMemory` (Section 15.3.2.8)
- `WaitFreeDequeue` (Section 7.3.1.4)

They are documented in fully in Chapter 15.

### 3.3 Conditionally-Required Facilities

An implementation shall support conditionally-required facilities if the underlying hardware and software permits. This specification includes two conditionally-required facilities:

<code>POSIXSignal</code>	This class shall be implemented on every platform where POSIX signals are supported <b>Open issue:</b> Ethan does not like POSIX for realtime systems. <b>End of open issue</b>
<code>RawMemory</code>	If the system supports address translation, e.g., has an MMU, and implements the Device Module, the implementation shall support the memory mapping features of the raw memory access classes.

#### 3.3.1 Options for Development Platforms

The following semantics are optional for an RTSJ implementation designed and licensed exclusively as a development tool.

- The priority scheduler need not support fixed-priority preemptive scheduling or the priority inversion avoidance algorithms. This does not excuse an implementation from fully supporting the relevant APIs. It only reduces the required behavior of the underlying scheduler to the level of the scheduler in the Java specification extended to at least 28 priorities.
- No semantics constraining timing beyond the requirements of the Java specifications need be supported. Specifically, garbage collection may delay any thread without bound and any delay in delivering asynchronously interrupted exceptions is permissible including never delivering the exception. Note, however, that if any AIE other than the generic AIE is delivered, it shall meet the AIE semantics, and all heap-memory-related semantics other than preemption remain fully in effect. Further, relaxed timing does not imply relaxed sequencing. For instance, semantics for scoped memory shall be fully implemented.
- The RTSJ semantics that alter standard Java method behavior, such as the modified semantics for `Thread.setPriority` and `Thread.interrupt`, are not required for a development tool, but such deviations from the RTSJ shall be documented, and the implementation shall be able to generate a runtime warning each time one of these methods deviates from standard RTSJ behavior.

These relaxed requirements set a floor for RTSJ development system tool implementations. A development tool may choose to implement semantics that are not required.

## 3.4 Required Documentation

Each implementation of the RTSJ is required to provide documentation for several behaviors.

- If schedulers other than the base priority scheduler are available to applications, the behavior of the scheduler and its interaction with each other scheduler as detailed in the Scheduling chapter shall be documented. The list of classes that constitute schedulable objects for the scheduler, unless that list is the same as the list of schedulables for the base scheduler, shall be included. If there are restrictions on use of the scheduler from a non-heap context, these restrictions shall be documented as well.
- A schedulable that is preempted by a higher-priority schedulable is placed in the queue for its active priority, at a position determined by the implementation. If the preempted schedulable is not placed at the front of the appropriate queue the implementation shall document the algorithm used for such placement. Placement at the front of the queue may be required in a future version of this specification.
- If the implementation supports cost enforcement, then the implementation is required to document the granularity at which the current CPU consumption is updated.
- The implementation shall fully document the behavior of any subclasses of `GarbageCollector`.
- An implementation that provides any `MonitorControl` subclasses not detailed in this specification shall document their effects, particularly with respect to priority inversion control and which (if any) schedulers fail to support the new policy.
- If on losing “boosted” priority due to a priority inversion avoidance algorithm, the schedulable is not placed at the front of its new queue, the implementation shall document the queuing behavior.
- For any available scheduler other than the base scheduler, an implementation shall document how, if at all, the semantics of synchronization differ from the rules defined for the default `PriorityInheritance` monitor control policy. It shall supply documentation for the behavior of the new scheduler with priority inheritance (and, if it is supported, priority ceiling emulation protocol) equivalent to the semantics for the base priority scheduler found in the Synchronization chapter. If there are restrictions on use of the scheduler from a

no-heap context, the documentation shall detail the effect of these restrictions for each RTSJ API.

- The worst-case response interval between firing an `AsyncEvent` because of a bound happening to releasing an associated `AsyncEventHandler` (assuming no higher-priority schedulables are runnable) shall be documented for some reference architecture.
- The interval between firing an `AsynchronouslyInterruptedException` at an ATC-enabled thread and first delivery of that exception (assuming no higher-priority schedulables are runnable) shall be documented for some reference architecture.
- If cost enforcement is supported, and the implementation assigns the cost of running finalizers for objects in scoped memory to any schedulable other than the one that caused the scope's reference count to drop to zero by leaving the scope, the rules for assigning the cost shall be documented.
- If cost enforcement is supported, and enforcement (blocked-by-cost-overflow) can be delayed beyond the enforcement time granularity, the maximum such delay shall be documented.
- If the implementation of `RealtimeSecurity` is more restrictive than the required implementation, or has run-time configuration options, those features shall be documented.
- For each supported clock, the documentation shall specify whether the resolution is settable, and if it is settable the documentation shall indicate the supported values.
- If an implementation includes any clocks other than the required realtime clock, their documentation shall indicate in what contexts those clocks can be used. If they cannot be used in no-heap context, the documentation shall detail the consequences of passing the clock, or a time that uses the clock to a no-heap schedulable.

## 3.5 Conventions

Throughout the RTSJ, when we use the word *code*, we mean code written in the Java programming language. When we mention the Java language in the RTSJ, that also refers to the Java programming language. The use of the term *heap* in the RTSJ will refer to the heap used by the runtime of the Java language.

## 3.6 Definitions

A *thread* is an instance of the `java.lang.Thread` class.

A *realtime thread* is an instance of the `javax.realtime.RealtimeThread` class.

A *Java thread* is a thread that is not a realtime thread.

A *no-heap realtime thread* is an instance of the `javax.realtime.NoHeapRealtimeThread` class.

An *event handler* is an instance of the `javax.realtime.AbstractAsyncEventHandler` class.

The term *schedulable* refers to any object that is of type `Schedulable`, and is recognized as a dispatchable entity by the base scheduler. The base scheduler's set of schedulables comprises instances of `RealtimeThread` and `AsyncEventHandler`. Other schedulers may support a different set of schedulables, but this specification only defines the behavior of the base scheduler so the term *schedulable* should be understood as "schedulable by the base scheduler."





# Chapter 4

## Conventional Java Classes and Language

Though compatibility with conventional Java, i.e., any Java runtime environments that implement the Java Virtual Machine Specification and the Java Language Specification but not the RTSJ, is the first concern of this specification, there are several cases where being able to meet realtime constraints requires a tightening of the semantics of the virtual machine and some subtle changes to the semantics of two key classes: `java.lang.Thread` and `java.lang.ThreadGroup`. These constraints and changes place additional requirements on scheduling, the memory model, and memory management. Finally, the specification defines a new type of concurrent activity called an asynchronous event handler; hence, the meaning of current thread has a different interpretation than in standard java.

### 4.1 Scheduling

How threads are scheduled in a realtime system is quite different than what one expects in a conventional Java virtual machine. For compatibility, this means that there must be a domain where conventional Java threads are scheduled in a familiar way and another domain that supports realtime scheduling. This separation is done in part via thread priority.

Threads running with the conventional ten priorities defined in Java should be scheduled as expected. Unfortunately, in order to ease the porting of Java to different environments, the scheduling of conventional Java threads is under specified. This has been resolved to avoid surprising the programmer in practice by providing some sort of fair scheduling for these threads. For threads running in these priorities an implementation of this specification should provide some notion of fair scheduling between threads with priority between one and ten inclusive.

Realtime threads need a stronger notion of prioritization than conventional Java threads, so this specification requires the implementation of at least a priority-preemptive scheduler with run to completion (or next suspension point) semantics. Priorities above the conventional ten priorities are used for this. Multithreaded code that runs with the priority-preemptive scheduler (or any other realtime scheduler) is more prone to deadlock or starvation than code run with fair scheduling. The changes to `Thread` and `ThreadGroup` are to support this realtime scheduling.

- The semantics of `set` and `get` methods for priority in `Thread` differ for realtime threads.
- The `ThreadGroup` class's behavior differs with respect to realtime threads.
- The behavior of the `ThreadGroup`-related methods in `Thread` differ when they are applied to realtime threads.

Code running at realtime priorities can also block conventional Java threads, possibly indefinitely.

### 4.1.1 Priority

The methods `setPriority` and `getPriority` in `java.lang.Thread` are `final`. The realtime thread classes are consequently not able to override them and modify their behavior to suit the requirements of the RTSJ scheduler. To bring the `java.lang.Thread` class in line with its realtime subclasses, the semantics of the `getPriority` and `setPriority` methods must be modified.

#### 4.1.1.1 Setting Priority

The `setPriority` method has the following additional requirements.

- Use of `Thread.setPriority()` shall not affect the correctness of the priority inversion avoidance algorithms controlled by `PriorityCeilingEmulation` and `PriorityInheritance`. Changes to the base priority of a realtime thread as a result of invoking `Thread.setPriority()` are governed by semantics from Chapter 7 on *Synchronization*.
- realtime threads may use `setPriority` to apply the expanded range of priorities available to realtime threads. If a realtime thread's priority parameters object is not shared, `setPriority` behaves effectively as if it included the following code snippet:

---

```
1     PriorityParameters pp = getSchedulingParameters();
2     pp.setPriority(newPriority);
```

---

- If the realtime thread's priority parameters object is shared with other schedulables, `setPriority` must give the thread an unshared `PriorityParameters`

instance allocated in the same memory area as the realtime thread object and containing the new priority value.

- `setPriority` throws `IllegalArgumentException` if the thread is a realtime thread and the new priority is outside the range allowed by the realtime thread's scheduler.
- `setPriority` throws `ClassCastException` if the thread is a realtime thread and its current scheduling parameters object is not an instance of `PriorityParameters`.

#### 4.1.1.2 Getting Priority

The `getPriority` method has the following additional requirements.

- When used on a realtime thread, `getPriority` behaves effectively as if it included the following code snippet:

---

```
1 (PriorityParameters)t.getSchedulingParameters().getPriority();
```

---

- If the scheduling parameters are not of type `PriorityParameters`, then a `ClassCastException` is thrown.

All supported monitor control policies must apply to Java threads as well as to all schedulables.

### 4.1.2 Thread Groups

Thread groups are rooted at a base `ThreadGroup` object which may be created in heap or immortal memory. All thread group objects hold references to all their member threads, and subgroups, and a reference to their parent group. Since heap and immortal memory can not hold references to scoped memory, it follows that a thread group can never be allocated in scoped memory. It then follows that no thread allocated in scoped memory may be referenced from any thread group, and consequently such threads are not part of any thread group and will hold a null thread group reference. Similarly, a `NoHeapRealtimeThread` can not be a member of a heap allocated thread group.

1. Realtime threads with `null` thread groups are not included in any operation on any thread group. This applies to enumeration and interruption, as well as the deprecated actions `stop`, `resume`, and `suspend`. However, when the current thread is a realtime thread with a `null` thread group:
  - The `Thread.enumerate` class method returns the integer 1, and populates its array argument with the current realtime thread.
  - `Thread.activeCount` returns 1.

- `Thread.getThreadGroup` returns null in all cases, not only when the thread has terminated.
2. A Java thread (not a realtime thread) that is created from a realtime thread without an explicit thread group and is not assigned a thread group by the security manager inherits the thread group of the realtime thread, if it has one; otherwise an attempt is made to add it to the application root thread group. The constructor shall throw a `SecurityException` if the Java thread is not permitted to use the application root thread group.
  3. The thread group of a Java thread created by an asynchronous event handler is assigned as if it was created by a realtime thread without a thread group (as described in 2. above)
  4. A thread group cannot be created in scoped memory. The constructor shall throw an `IllegalAssignmentError`.
  5. Setting a maximum priority on a thread group, either explicitly or via its parent, has no influence on the realtime threads in that group.
  6. Except as specified previously, realtime threads have the same `ThreadGroup` membership rules as the parent `Thread` class.

### 4.1.3 Current Thread

In Java, the currently executing thread can always be determined by calling the static method `Thread.currentThread()`. In the RTSJ, there are two types of schedulable entities: threads and asynchronous event handlers. The latter may be mapped dynamically by the realtime Java virtual machine onto the underlying thread model. The method `Thread.currentThread()` when called from an unbound asynchronous event handler will return the thread that is being used as the current execution engine for that event handler. The program should not rely on this being constant for the lifetime of the program. It can rely on it being constant for the current *release* of the handler (see 6.2 for the definition of a *release*). It is not recommended that the program perform any operations on this underlying thread as it may have an impact beyond that of the current event handler. This also means that thread local memory cannot be relied on in unbound event handlers, because data saved in one release may not be available in the next release.

## 4.2 Java Memory Model

Some aspects of the Java Memory Model must be tightened for this specification, in particular with regards to interactions with native code or when using the Device Module. A conforming implementation must ensure that volatile loads and stores, raw memory operations (see 12.3.1), and `RawBufferFactory` fence methods are all

ordered in a way that is consistent with respect to native code or hardware devices using platform-native memory coherence protocols to access raw memory or raw byte buffers shared with the virtual machine.

**Open issue:** Do we still want to say something about happens-before and JNI here? I think we probably do, but it seems Really Hard to get right. –elb **End of open issue**

**Open issue:** Doug talked about most Java implementations having an explicit fence when entering and leaving JNI even though this is not required by the specification. Can we and should we say something about this? –jjh **End of open issue**

## 4.3 InterruptedException

The specification extends the use of the `InterruptedException` to support asynchronous transfer of control. It changes both

The interruptible methods in the standard libraries (such as `Object.wait`, `Thread.sleep`, and `Thread.join`) have their contract expanded slightly such that they will respond to interruption not only when the interrupt method is invoked on the current thread, but also, for schedulables, when executing within a call to `AIE.doInterruptible` and that AIE is fired. See Chapter 8 on Asynchrony.

## 4.4 Memory Management

The specification provides for two means of managing memory: garbage collection and special memory areas, which are not collected by the garbage collector. Since memory allocated in Java is always in the heap, or at least appears to be, the initial allocation area is the heap. Furthermore, the allocation area can only be changed by explicitly using the API provided below: either by entering another memory area or by calling a method that explicitly causes allocation in another area. When this alternate memory management module is not present, the conventional java semantics for allocation prevails.

### 4.4.1 Memory Areas

Using a conventional class in a memory area other than a heap can result in unexpected behavior. This is particularly the case when a method of a class is called in a different area than the object was created, which can lead to exceptions. In general, memory areas other than the heap may become full much faster than expected, because objects that are no longer referenced will not be collected automatically.

A method that allocates an object or takes an object that was created in a different memory area and tries to assign it to a field of its associated object can fail. For example, creating a `List` on the heap and adding to it from a scoped memory will most likely cause an exception. Although using other memory areas such as scoped memory is useful for helping to improving determinism, its use complicates the logic of application and library code.

On systems that support memory areas other than heap and do not support realtime garbage collection, some global resources must be put in immortal memory. System properties and their `String` values allocated during system initialization shall be allocated in immortal memory. For such a system, class objects should also be stored there. Though this avoids priority inversion with the garbage collector, it can cause higher memory use than expected.

## 4.4.2 Garbage Collection

Garbage collection is an important safety feature of the Java language and runtime environment. Unfortunately, the garbage collection process can interfere with a realtime program's ability to always meet its timing deadlines. This specification provides two main means of circumventing this problem: using a realtime garbage collector or using the memory area module as an alternative to garbage collection for realtime code. Additionally, an implementation may ignore the problem for an implementation meant as a development system or for systems that choose not to provide realtime guarantees. In any case, an implementation must document what realtime guarantees it gives and which method it uses to do so.

## 4.4.3 Realtime Garbage Collections

Industrial realtime garbage collectors are available with varying approaches to providing realtime response. Though new collectors will undoubtedly be developed, all current ones use a variant of the mark-and-sweep algorithm. In all cases, the collectors are incremental: realtime response is obtained by limiting how much of a collection cycle is done each time the collector runs.

### 4.4.3.1 Thread-Based Collectors

A realtime thread-based collector is an incremental garbage collector that has its own thread of control and runs at intervals. In this case, the garbage collector needs to be scheduled to ensure that it runs often enough and long enough at each interval to recycle discarded objects fast enough to keep up with allocations. There should also be some maximum time after which the garbage collector can be interrupted.

#### 4.4.3.2 Allocation-Based Collectors

A realtime allocation-based garbage collector does not have its own thread of control. Instead, some interval of garbage collection work is done at each allocation. This work is generally a function of the size of the object being allocated. This work becomes part of the execution time of the program. Again, there should be some maximum time after which the garbage collector can be interrupted.

#### 4.4.3.3 Alternatives to Garbage Collection

This specification provide an Alternate Memory Management Module for managing memory without garbage collection. An implementation of this specification may provide realtime response by requiring applications to use that module instead of providing a realtime garbage collector. This means that all realtime threads would have to run above the priority of the garbage collector and all communication with conventional threads would have to use some nonblocking protocol.

#### 4.4.3.4 Developer Implementation

An implementation that simply provides all the API but no realtime guarantee is also permitted. This is useful as a development environment. Also, many of the APIs are useful event in a convention Java implementation.

## 4.5 Summary

The refinements and changes to the semantics of the Java runtime environment and classes shall not affect the functional correctness of Java code written for a conventional Java implementation when running on a Java runtime environment which implements this specification. There may be changes in the relative timing of threads, but these should not violate the conventional Java specifications. The use of some RTSJ features with code written for a conventional Java implementation may, however, be surprising. This is particularly true when using alternate memory areas, asynchronous transfer of control, and thread local memory in conjunction with unbound asynchronous event handlers.





# Chapter 5

## Realtime Threads

This section describes the two realtime thread classes. These classes provide for the creation of

- realtime threads that have more precise scheduling semantics than `java.lang.Thread`, and
- realtime threads that have no dependency on the heap.

The `RealtimeThread` class extends `java.lang.Thread`. The `ReleaseParameters`, `SchedulingParameters`, and `MemoryParameters` objects passed to the `RealtimeThread` constructor allow the temporal and processor demands of the thread to be communicated to the *scheduler*. The `PhasingPolicy` class defines the relationship between the threads start time and its first release time when the start time is in the past.

The `NoHeapRealtimeThread` class extends `RealtimeThread`. A `NoHeapRealtimeThread` is not allowed to allocate or even reference objects from the Java heap, and can thus safely execute in preference to the garbage collector.

### 5.1 Overview

The RTSJ provides two types of objects which implement the `Schedulable` interface: realtime threads and asynchronous event handlers. This chapter defines the facilities that are available to realtime threads. In many cases these facilities are also available to asynchronous event handlers. In particular:

- the default scheduler must support the scheduling of both realtime threads and asynchronous event handlers;
- realtime threads and asynchronous event handlers are allowed to enter into memory areas and consequently they have associated scope stacks;
- the flow of control of realtime threads and asynchronous event handlers are affected by the RTSJ asynchronous transfer of control facilities;

Where the semantics apply to both realtime threads and asynchronous event handlers, the term *schedulable* will be used.

## 5.2 Semantics

1. Garbage collection executing in the context of a Java thread must not in itself block execution of a no-heap thread with a higher execution eligibility; however application locks work as specified even when the lock causes synchronization between a heap-using thread and a no-heap thread.
2. Each realtime thread has an attribute which indicates whether an `AsynchronouslyInterruptedException` is pending. This attribute is set when a call to `RealtimeThread.interrupt()` is made on the associated realtime thread, and when an asynchronously interrupted exception's `fire` method is invoked between the time the realtime thread has entered that exception's `doInterruptible` method, and before it has return from `doInterruptible`. (See Chapter 8 on *Asynchrony*.)
3. A call to `RealtimeThread.interrupt()` generates the system's generic `AsynchronouslyInterruptedException`. (See Chapter 8 on *Asynchrony*.)
4. The `RealtimeThread.waitForNextPeriod`, `RealtimeThread.waitForNextRelease`, `RealtimeThread.waitForNextPeriodInterruptible` and `RealtimeThread.waitForNextReleaseInterruptible` methods are for use by realtime threads that have periodic or aperiodic release parameters. In the absence of any deadline miss or cost overrun, or an interrupt in the case of `waitForNextPeriodInterruptible` and `waitForNextReleaseInterruptible`, the methods return when the realtime thread's next period/release is due.
5. In the presence of a cost overrun or a deadline miss, the behavior of `waitForNextPeriod` and `waitForNextRelease`, and their interruptible versions, is governed by the thread's scheduler.
6. The first release time of a realtime thread is governed by: the value of any `start` time in its associated `ReleaseParameter` object and the time at which the `RealtimeThread.start` method is called (or the `RealtimeThread.startPeriodic` method is called and the value of any `PhasingPolicy` parameter passed to it).
7. Instances of `RealtimeThread` that are created in scoped memory and instances of `NoHeapRealtimeThread` do not have conventional references to thread groups nor do thread groups have conventional references to these threads. For the purposes of this version of the specification, those references are `null`.
8. Realtime threads with null thread groups handle uncaught exceptions as follows:

- when the exception is a subclass of `ThreadDeath`, the thread simply terminates,
  - otherwise the thread prints a stack trace of the exception to `System.err` before it terminates.
9. System-related termination activity (such as execution of finalizers for scoped objects in `scoped` that become unreferenced) triggered by termination of a realtime thread is not subject to cost enforcement or deadline miss detection.

## 5.3 Package javax.realtime

### 5.3.1 Enumerations

#### 5.3.1.1 PhasingPolicy

---

#### Inheritance

```
java.lang.Object
  java.lang.Enum
    javax.realtime.PhasingPolicy
```

This class defines a set of constants that specify the supported policies for starting a thread or periodic timer, when it is started later than the assigned absolute time. The following table specifies the effective start time (that is, the first release time of a periodic real-time thread). The algorithm is the same for a periodic timer, where the first firing is equivalent to the first release.

#### The Effects of the Phasing Policy on the First Release of a Realtime Thread with Periodic Parameters

	<b>STRICT PHASING</b>	<b>ADJUST FORWARD</b>	<b>ADJUST BACKWARD</b>	<b>ADJUST TO START</b>
Relative Time	The time of start method invocation plus <code>start</code> time.	The time of start method invocation plus <code>start</code> time.	The time of start method invocation plus <code>start</code> time.	The time of start method invocation plus <code>start</code> time.
Absolute Time, earlier than call to <code>start</code>	The <code>start</code> method throws an exception.	All releases before the time <code>start</code> is called are ignored. The first release is at the start time plus the smallest multiple of <code>period</code> whose time is after the time <code>start</code> was called.	The first release occurs immediately and the next release is at the start time plus the smallest multiple of <code>period</code> whose time is after the time <code>start</code> was called.	Release immediately and set next release time to be at the time the <code>start</code> method was invoked plus <code>period</code> .
Absolute Time, later than call to <code>start</code>	First release is at time passed to <code>start</code> .	First release is at time passed to <code>start</code> .	First release is at time passed to <code>start</code> .	First release is at time passed to <code>start</code> .
Without Time	First release is at time of start method invocation	First release is at time of start method invocation	First release is at time of start method invocation	First release is at time of start method invocation

**Open issue:** Clarify last sentence before table. **End of open issue**  
**Available since RTSJ version RTSJ 2.0**

#### 5.3.1.1.1 Enumeration Constants

---

##### **STRICT\_PHASING**

```
public static final STRICT_PHASING
```

##### **ADJUST\_FORWARD**

```
public static final ADJUST_FORWARD
```

**ADJUST\_BACKWARD**

```
public static final ADJUST_BACKWARD
```

**ADJUST\_TO\_START**

```
public static final ADJUST_TO_START
```

**5.3.1.1.2 Constructors**

---

**5.3.1.1.3 Methods**

---

**values***Signature*

```
public static  
javax.realtime.PhasingPolicy[] values()
```

**valueOf(String)***Signature*

```
public static  
javax.realtime.PhasingPolicy valueOf(String name)
```

**5.3.2 Classes****5.3.2.1 ConfigurationParameters**

---

**Inheritance**

```
java.lang.Object  
  javax.realtime.ConfigurationParameters
```

Schedulable sizing parameters a way to specify various implementation-dependent parameters such as Java and native stack sizes, and to configure the statically allocated [ThrowBoundaryError](#)<sup>1</sup> associated with a [Schedulable](#)<sup>2</sup>.

Note that these parameters are immutable.

---

<sup>1</sup>Section [14.2.3.6](#)

<sup>2</sup>Section [6.4.1.2](#)

Available since RTSJ version RTSJ 2.0

### 5.3.2.1.1 Constructors

---

## ConfigurationParameters(MemoryArea, boolean, int, int, long[])

### Signature

```
public  
    ConfigurationParameters(MemoryArea area, boolean mayUseHeap, int messageLength,
```

```
    int stackTraceLength, long[] sizes)  
    throws IllegalStateException
```

### Parameters

*area* Specifies the [MemoryArea](#)<sup>3</sup> in which a schedulable should start.

*mayUseHeap* indicates whether or not the schedulable may use the heap.

*messageLength* Memory space in bytes dedicated to the message associated with [Schedulable](#)<sup>4</sup> objects created with these parameters' preallocated exceptions, plus references to the method names/identifiers in the stack trace. The value 0 indicates that no message should be stored. The value of -1 uses the system default.

*stackTraceLength* Length of the stack trace buffer dedicated to [Schedulable](#)<sup>5</sup> objects created with these parameters' preallocated exceptions, in frames. The amount of space this requires is implementation-specific. The value 0 indicates that no stack trace should be stored. The value of -1 uses the system default.

*sizes* An array of implementation-specific values dictating memory parameters for [Schedulable](#) objects created with these parameters, such as maximum Java and native stack sizes. The *sizes* array will not be stored in the constructed object.

### Throws

*IllegalStateException* when *mayUseHead* is false and *area* is an instance of [HeapMemory](#)<sup>6</sup>.

---

<sup>3</sup>Section [11.4.3.7](#)

<sup>4</sup>Section [6.4.1.2](#)

<sup>5</sup>Section [6.4.1.2](#)

<sup>6</sup>Section [11.4.3.2](#)

Creates a parameter object for initializing the state of a `Schedulable`<sup>7</sup>. The parameters provide the data for this initialization. For `RealtimeThread`<sup>8</sup> and bound versions of `AbstractAsyncEventHandler`<sup>9</sup>, the stack and message buffers can be set exactly, but for the unbound event handlers, the system cannot give any guarantees to allow thread sharing.

### **ConfigurationParameters(MemoryArea, boolean, int, int)**

*Signature*

```
public
    ConfigurationParameters(MemoryArea area, boolean mayUseHeap, int messageLength, int stackTraceLength)
```

Same as `ConfigurationParameters(MemoryArea, boolean, int, int, long[])`<sup>10</sup> with arguments `area`, `mayUseHeap`, `messageLength`, `stackTraceLength`, `null`.

### **ConfigurationParameters(MemoryArea, boolean)**

*Signature*

```
public
    ConfigurationParameters(MemoryArea area, boolean mayUseHeap)
```

Same as `ConfigurationParameters(MemoryArea, boolean, int, int, long[])`<sup>11</sup> with arguments `area`, `true`, `-1`, `-1`, `null`.

### **ConfigurationParameters(MemoryArea)**

*Signature*

```
public
    ConfigurationParameters(MemoryArea area)
```

Same as `ConfigurationParameters(MemoryArea, boolean, int, int, long[])`<sup>12</sup> with arguments `area`, `true`, `-1`, `-1`, `null`.

---

<sup>7</sup>Section 6.4.1.2

<sup>8</sup>Section 5.3.2.2

<sup>9</sup>Section 8.4.3.2

<sup>10</sup>Section 5.3.2.1.1

<sup>11</sup>Section 5.3.2.1.1

<sup>12</sup>Section 5.3.2.1.1



## ConfigurationParameters(java.lang.Long[])

*Signature*

```
public
    ConfigurationParameters(java.lang.Long[] sizes)
```

Same as `ConfigurationParameters(MemoryArea, boolean, int, int, long[])`<sup>13</sup> with arguments `HeapMemory.instance()`, `true`, `-1`, `-1`, `sizes`.

### 5.3.2.1.2 Methods

---

#### getMemoryArea

*Signature*

```
public
    javax.realtime.MemoryArea getMemoryArea()
```

*Returns*

the initial memory area, when on is set; otherwise null.

Gets the initial memory area specified.

#### mayUseHeap

*Signature*

```
public
    boolean mayUseHeap()
```

*Returns*

true when the heap may be accessed.

Find out if heap access is set.

#### getMessageLength

*Signature*

```
public
    int getMessageLength()
```

*Returns*

Reserved memory size in bytes.

---

<sup>13</sup>Section [5.3.2.1.1](#)

Gets the memory space in bytes dedicated to the message associated with [Schedulable](#)<sup>14</sup> objects created with these parameters' preallocated exceptions, plus references to the method names/identifiers in the stack trace. The value 0 indicates that no message will be stored.

## getStackTraceLength

*Signature*

```
public
int getStackTraceLength()
```

*Returns*

Reserved memory size in implementation-dependent stack frames.

Gets the length of the stack trace buffer dedicated to [Schedulable](#)<sup>15</sup> objects created with these parameters' preallocated exceptions, in frames. The amount of space this requires is implementation-specific. The value 0 indicates that no stack trace will be stored.

## getSizes

*Signature*

```
public
long[] getSizes()
```

*Returns*

Array of implementation-specific sizes.

Gets the array of implementation-specific sizes associated with [Schedulable](#)<sup>16</sup> objects created with these parameters. *This method may allocate memory.*

### 5.3.2.2 RealtimeThread

---

#### Inheritance

```
java.lang.Object
  java.lang.Thread
    javax.realtime.RealtimeThread
```

*Interfaces*

```
BoundSchedulable
```

---

<sup>14</sup>Section 6.4.1.2

<sup>15</sup>Section 6.4.1.2

<sup>16</sup>Section 6.4.1.2

Class `RealtimeThread` extends `Thread` and adds access to realtime services such as asynchronous transfer of control, nonheap memory, and advanced scheduler services.

As with `java.lang.Thread`, there are two ways to create a usable `RealtimeThread`.

- Create a new class that extends `RealtimeThread` and override the `run()` method with the logic for the thread.
- Create an instance of `RealtimeThread` using one of the constructors with a `logic` parameter. Pass a `Runnable` object whose `run()` method implements the logic of the thread.

#### 5.3.2.2.1 Constructors

---

### **RealtimeThread(SchedulingParameters, ReleaseParameters, MemoryParameters, ConfigurationParameters, ProcessingGroupParameters, TimeDispatcher, ThreadGroup, Runnable)**

*Signature*

```
public
    RealtimeThread(SchedulingParameters scheduling, ReleaseParameters release, Mem
```

*Parameters*

*scheduling* The `SchedulingParameters`<sup>17</sup> associated with `this` (And possibly other instances of `Schedulable`<sup>18</sup>). If `scheduling` is `null` and the creator is a schedulable, `SchedulingParameters`<sup>19</sup> is a clone of the creator's value created in the same memory area as `this`. If `scheduling` is `null` and the creator is a Java thread, the contents and type of the new `SchedulingParameters` object is governed by the associated scheduler.

*release* The `ReleaseParameters`<sup>20</sup> associated with `this` (and possibly other instances of `Schedulable`<sup>21</sup>). If `release` is `null` the new `RealtimeThread` will use a clone of the default `ReleaseParameters` for the associated scheduler created in the memory area that contains the `RealtimeThread` object.

---

<sup>17</sup>Section 6.4.2.10

<sup>18</sup>Section 6.4.1.2

<sup>19</sup>Section 6.4.2.10

<sup>20</sup>Section 6.4.2.8

<sup>21</sup>Section 6.4.1.2

*memory* The `MemoryParameters`<sup>22</sup> associated with `this` (and possibly other instances of `Schedulable`<sup>23</sup>). If `memory` is `null`, the new `RealtimeThread` receives `null` value for its memory parameters, and the amount or rate of memory allocation for the new thread is unrestricted.

*area* The `MemoryArea`<sup>24</sup> associated with `this`. If `area` is `null`, the initial memory area of the new `RealtimeThread` is the current memory area at the time the constructor is called.

*pgp* The `ProcessingGroupParameters`<sup>25</sup> associated with `this` (and possibly other instances of `Schedulable`<sup>26</sup>). If `null`, the new `RealtimeThread` will not be associated with any processing group.

*sizing* The `ConfigurationParameters`<sup>27</sup> associated with `this` (and possibly other instances of `Schedulable`<sup>28</sup>). If `sizing` is `null`, this `RealtimeThread` will reserve no space for preallocated exceptions and implementation-specific values will be set to their implementation-defined defaults.

*dispatcher* The `TimeDispatcher`<sup>29</sup> to use for realtime sleep and determining the period of a periodic thread.

*group* The `ThreadGroup` of the newly created realtime thread.

*logic* The `Runnable` object whose `run()` method will serve as the logic for the new `RealtimeThread`. If `logic` is `null`, the `run()` method in the new object will serve as its logic.

#### *Throws*

*IllegalArgumentException* when the parameters are not compatible with the associated scheduler.

*IllegalAssignmentError* when the new `RealtimeThread` instance cannot hold a reference to any of the values of `scheduling` `release` `memory` or `group`, when those parameters cannot hold a reference to the new `RealtimeThread`, when the new `RealtimeThread` instance cannot hold a reference to the values of `area` or `logic`, when the initial memory area is not specified and the new `RealtimeThread` instance cannot hold a reference to the default initial memory area, and when the thread may not use the heap, as specified by its configuration, and any of the following is true:

- the initial memory are is not specified,
- the initial memory is heap memory,

---

<sup>22</sup>Section [11.4.3.8](#)

<sup>23</sup>Section [6.4.1.2](#)

<sup>24</sup>Section [11.4.3.7](#)

<sup>25</sup>Section [6.4.2.7](#)

<sup>26</sup>Section [6.4.1.2](#)

<sup>27</sup>Section [5.3.2.1](#)

<sup>28</sup>Section [6.4.1.2](#)

<sup>29</sup>Section [10.4.2.5](#)

- the initial memory area, scheduling release, memory, or group is allocated in heap memory.
- when this is in heap memory, or
- logic is in heap memory.

Create a realtime thread with the given characteristics and a specified `Runnable`. The thread group of the new thread is inherited from its creator unless the newly-created realtime thread is allocated in scoped memory, then its thread group is (effectively) `null`.

The newly-created realtime thread is associated with the scheduler in effect during execution of the constructor.

The newly-created realtime thread inherits the affinity of its creator unless it was created by a Java thread or an unbound asynchronous event handler. In these cases, the affinity is that which is returned from `Affinity.getHeapDefault()`<sup>30</sup>. If the newly-created realtime thread has `ProcessingGroupParameters`<sup>31</sup> and the intersection of the group's affinity and the newly-created realtime thread's affinity (as specified above) is null, then the newly-created realtime thread's affinity is set to that which is returned by `Affinity.getProcessingGroupDefault`<sup>32</sup>.

Available since RTSJ version RTSJ 2.0

## RealtimeThread(SchedulingParameters, ReleaseParameters, MemoryParameters, ConfigurationParameters, ProcessingGroupParameters, Runnable)

*Signature*

```
public
    RealtimeThread(SchedulingParameters scheduling, ReleaseParameters release, Mem
```

Create a realtime thread with the given `SchedulingParameters`<sup>33</sup>, `ReleaseParameters`<sup>34</sup>, `MemoryParameters`<sup>35</sup>, `MemoryArea`<sup>36</sup>, `ProcessingGroupParameters`<sup>37</sup>, `Con-`

---

<sup>30</sup>Section 6.4.2.1.2

<sup>31</sup>Section 6.4.2.7

<sup>32</sup>Section 6.4.2.1.2

<sup>33</sup>Section 6.4.2.10

<sup>34</sup>Section 6.4.2.8

<sup>35</sup>Section 11.4.3.8

<sup>36</sup>Section 11.4.3.7

<sup>37</sup>Section 6.4.2.7

`figurationParameters`<sup>38</sup>, a specified `Runnable`, and default values for all other parameters.

This constructor is equivalent to `RealtimeThread(scheduling, release, memory, configuration, group, null, null, logic)`.

Available since RTSJ version RTSJ 2.0 Create a realtime thread with the given characteristics and a specified `Runnable`. The thread group of the new thread is inherited from its creator unless the newly-created realtime thread is allocated in scoped memory, then its thread group is (effectively) `null`.

### **RealtimeThread(SchedulingParameters, ReleaseParameters, ConfigurationParameters, Runnable)**

*Signature*

```
public
    RealtimeThread(SchedulingParameters scheduling, ReleaseParameters relea
```

Create a realtime thread with the given `SchedulingParameters`<sup>39</sup>, `ReleaseParameters`<sup>40</sup>, `MemoryArea`<sup>41</sup> and a specified `Runnable` and default values for all other parameters.

This constructor is equivalent to `RealtimeThread(scheduling, release, configuration, null, null, null, logic)`.

Available since RTSJ version RTSJ 2.0

### **RealtimeThread(SchedulingParameters, ReleaseParameters, ConfigurationParameters)**

*Signature*

```
public
    RealtimeThread(SchedulingParameters scheduling, ReleaseParameters relea
```

---

<sup>38</sup>Section 5.3.2.1

<sup>39</sup>Section 6.4.2.10

<sup>40</sup>Section 6.4.2.8

<sup>41</sup>Section 11.4.3.7

Create a realtime thread with the given [SchedulingParameters](#)<sup>42</sup>, [ReleaseParameters](#)<sup>43</sup> and [MemoryArea](#)<sup>44</sup> and default values for all other parameters.

This constructor is equivalent to `RealtimeThread(scheduling, release, null, area, null, null, null, null)`.

Available since RTSJ version RTSJ 2.0

## **RealtimeThread(SchedulingParameters, ReleaseParameters, Runnable)**

*Signature*

```
public
    RealtimeThread(SchedulingParameters scheduling, ReleaseParameters release, Runnable r)
```

Create a realtime thread with the given [SchedulingParameters](#)<sup>45</sup>, [ReleaseParameters](#)<sup>46</sup> and a specified `Runnable` and default values for all other parameters.

This constructor is equivalent to `RealtimeThread(scheduling, release, null, null, null, null, null, null, logic)`.

Available since RTSJ version RTSJ 2.0

## **RealtimeThread(SchedulingParameters, ReleaseParameters, MemoryParameters, MemoryArea, ProcessingGroupParameters, Runnable)**

*Signature*

```
public
    RealtimeThread(SchedulingParameters scheduling, ReleaseParameters release, MemoryParameters memory, MemoryArea area, ProcessingGroupParameters group, Runnable r)
```

Create a realtime thread with the given characteristics and a `Runnable`. This is equivalent to `RealtimeThread(scheduling, release, memory, new ConfigurationParameters(area), group, null, null, logic)`.

---

<sup>42</sup>Section [6.4.2.10](#)

<sup>43</sup>Section [6.4.2.8](#)

<sup>44</sup>Section [11.4.3.7](#)

<sup>45</sup>Section [6.4.2.10](#)

<sup>46</sup>Section [6.4.2.8](#)

## RealtimeThread(SchedulingParameters, ReleaseParameters)

*Signature*

```
public
    RealtimeThread(SchedulingParameters scheduling, ReleaseParameters relea
```

Create a realtime thread with the given [SchedulingParameters](#)<sup>47</sup> and [ReleaseParameters](#)<sup>48</sup> and default values for all other parameters.

This constructor is equivalent to `RealtimeThread(scheduling, release, null, null, null, null, null, null)`.

## RealtimeThread(SchedulingParameters, TimeDispatcher)

*Signature*

```
public
    RealtimeThread(SchedulingParameters scheduling, TimeDispatcher dispatch
```

Create a realtime thread with the given [SchedulingParameters](#)<sup>49</sup> and [TimeDispatcher](#)<sup>50</sup> and default values for all other parameters. This constructor is equivalent to `RealtimeThread(scheduling, null, null, null, null, dispatcher, null, null)`.

Available since RTSJ version RTSJ 2.0

## RealtimeThread(SchedulingParameters)

*Signature*

```
public
    RealtimeThread(SchedulingParameters scheduling)
```

---

<sup>47</sup>Section [6.4.2.10](#)

<sup>48</sup>Section [6.4.2.8](#)

<sup>49</sup>Section [6.4.2.10](#)

<sup>50</sup>Section [10.4.2.5](#)



Create a realtime thread with the given [SchedulingParameters](#)<sup>51</sup> and default values for all other parameters. This constructor is equivalent to `RealtimeThread(scheduling, null, null, null, null, null, null, null)`.

## RealtimeThread

*Signature*

```
public
    RealtimeThread()
```

Create a realtime thread with default values for all parameters. This constructor is equivalent to `RealtimeThread(null, null, null, null, null, null, null, null)`.

### 5.3.2.2.2 Methods

---

## currentRealtimeThread

*Signature*

```
public static
    javax.realtime.RealtimeThread currentRealtimeThread()
```

*Throws*

*ClassCastException* if the current execution context is that of a Java thread.

*Returns*

A reference to the current instance of `RealtimeThread`.

Gets a reference to the current instance of `RealtimeThread`.

It is permissible to call `currentRealtimeThread` when control is in an [Async-EventHandler](#)<sup>52</sup>. The method will return a reference to the `RealtimeThread` supporting that release of the async event handler.

## getCurrentMemoryArea

*Signature*

```
public static
    javax.realtime.MemoryArea getCurrentMemoryArea()
```

*Returns*

---

<sup>51</sup>Section [6.4.2.10](#)

<sup>52</sup>Section [8.4.3.5](#)

A reference to the `MemoryArea`<sup>53</sup> object representing the current allocation context.

Return a reference to the `MemoryArea`<sup>54</sup> object representing the current allocation context.

When this method is invoked from a Java thread it will return that thread's current memory area (heap or immortal memory).

## `getInitialMemoryAreaIndex`

### *Signature*

```
public static
int getInitialMemoryAreaIndex()
```

### *Throws*

*IllegalStateException* when the memory area at the initial memory area index, in the current scope stack is not the initial memory area.

*ClassCastException* when the current execution context is that of a Java thread.

### *Returns*

The index into the initial memory area stack of the initial memory area of the current `RealtimeThread`.

Returns the position in the initial memory area stack, of the initial memory area for the current realtime thread. Memory area stacks may include inherited stacks from parent threads. The initial memory area of a `RealtimeThread` or `AsyncEventHandler` is the memory area given as a parameter to its constructor. The index in the initial memory area stack of the initial memory area is a fixed property of the realtime thread.

If the current memory area stack of the current realtime thread is not the original stack and the memory area at the initial memory area index is not the initial memory area, then `IllegalStateException` is thrown.

## `getMemoryAreaStackSize`

### *Signature*

```
public static
int getMemoryAreaStackSize()
```

### *Throws*

*ClassCastException* when the current execution context is that of a Java thread.

### *Returns*

The size of the stack of `MemoryArea`<sup>55</sup> instances.

---

<sup>53</sup>Section [11.4.3.7](#)

<sup>54</sup>Section [11.4.3.7](#)

<sup>55</sup>Section [11.4.3.7](#)

Gets the size of the stack of `MemoryArea`<sup>56</sup> instances to which the current schedulable has access.

*Note:* The current memory area (`getCurrentMemoryArea()`<sup>57</sup>) is found at memory area stack index of `getMemoryAreaStackDepth() - 1`.

## `getOuterMemoryArea(int)`

### *Signature*

```
public static
javax.realtime.MemoryArea getOuterMemoryArea(int index)
```

### *Parameters*

*index* The offset into the memory area stack.

### *Throws*

*ClassCastException* when the current execution context is that of a Java thread.  
*MemoryAccessError* when the memory area is allocate in heap memory and the caller is a schedulable that may not use the heap.

### *Returns*

The instance of `MemoryArea`<sup>58</sup> at index or `null` if the given value does not correspond to a position in the stack.

Gets the instance of `MemoryArea`<sup>59</sup> in the memory area stack at the index given. If the given index does not exist in the memory area scope stack then `null` is returned.

*Note:* The current memory area (`getCurrentMemoryArea()`<sup>60</sup>) is found at memory area stack index `getMemoryAreaStackDepth() - 1`, so `getCurrentMemoryArea() == getOutMemoryArea(getMemoryAreaStackDepth() - 1)`.

## `sleep(HighResolutionTime)`

### *Signature*

```
public static
void sleep(HighResolutionTime time)
throws InterruptedException
```

A sleep method that is controlled by the realtime clock.

Equivalent to `sleep(Clock.getRealtimeClock(), time)`

---

<sup>56</sup>Section [11.4.3.7](#)

<sup>57</sup>Section [5.3.2.2.2](#)

<sup>58</sup>Section [11.4.3.7](#)

<sup>59</sup>Section [11.4.3.7](#)

<sup>60</sup>Section [5.3.2.2.2](#)

## waitForNextPeriod

### Signature

```
public static
boolean waitForNextPeriod()
```

### Throws

*IllegalThreadStateException* when **this** does not have a reference to a [ReleaseParameters](#)<sup>61</sup> type of [PeriodicParameters](#)<sup>62</sup>.

*ClassCastException* when the current thread is not an instance of `RealtimeThread`.

### Returns

True when the thread is not in a deadline miss condition. Otherwise the return value is governed by this thread's scheduler.

Causes the current realtime thread to delay until the beginning of the next period. Used by threads that have a reference to a [ReleaseParameters](#)<sup>63</sup> type of [PeriodicParameters](#)<sup>64</sup> to block until the start of each period. The first period starts when **this** thread is first released. Each time it is called this method will block until the start of the next period unless the thread is in a deadline miss condition. In that case the operation of `waitForNextPeriod` is controlled by this thread's scheduler. (See [PriorityScheduler](#)<sup>65</sup>.)

**Available since RTSJ version RTSJ 1.0.1 Changed from an instance method to a static method.**

## waitForNextPeriodInterruptible

### Signature

```
public static
boolean waitForNextPeriodInterruptible()
throws InterruptedException
```

### Throws

*InterruptedException* when the thread is interrupted by `interrupt()`<sup>66</sup> or `Asyn-chronouslyInterruptedException.fire()`<sup>67</sup> during the time between call-

---

<sup>61</sup>Section 6.4.2.8

<sup>62</sup>Section 6.4.2.4

<sup>63</sup>Section 6.4.2.8

<sup>64</sup>Section 6.4.2.4

<sup>65</sup>Section 6.4.2.6

<sup>66</sup>Section 5.3.2.2.2

<sup>67</sup>Section 8.4.2.1.3

ing this method and returning from it.

An interrupt during `waitForNextPeriodInterruptible` is treated as a release for purposes of scheduling. This is likely to disrupt proper operation of the periodic thread. The periodic behavior of the thread is unspecified until the state is reset by altering the thread's periodic parameters.

*ClassCastException* when the current thread is not an instance of `RealtimeThread`.

*IllegalThreadStateException* when `this` does not have a reference to a `ReleaseParameters`<sup>68</sup> type of `PeriodicParameters`<sup>69</sup>.

#### Returns

True when the thread is not in a deadline miss condition. Otherwise the return value is governed by this thread's scheduler.

The `waitForNextPeriodInterruptible()` method is a duplicate of `waitForNextPeriod()`<sup>70</sup> except that `waitForNextPeriodInterruptible` is able to throw `InterruptedException`.

Used by threads that have a reference to a `ReleaseParameters`<sup>71</sup> type of `PeriodicParameters`<sup>72</sup> to block until the start of each period. The first period starts when `this` thread is first released. Each time it is called this method will block until the start of the next period unless the thread is in a deadline miss condition. In that case the operation of `waitForNextPeriodInterruptible` is controlled by this thread's scheduler. (See `PriorityScheduler`<sup>73</sup>.)

Available since RTSJ version RTSJ 1.0.1

## waitForNextRelease

#### Signature

```
public static
boolean waitForNextRelease()
```

#### Throws

*IllegalThreadStateException* when `this` does not have a reference to a `ReleaseParameters`<sup>74</sup> type of `AperiodicParameters`<sup>75</sup>.

---

<sup>68</sup>Section 6.4.2.8

<sup>69</sup>Section 6.4.2.4

<sup>70</sup>Section 5.3.2.2.2

<sup>71</sup>Section 6.4.2.8

<sup>72</sup>Section 6.4.2.4

<sup>73</sup>Section 6.4.2.6

<sup>74</sup>Section 6.4.2.8

<sup>75</sup>Section 6.4.2.2

*ClassCastException* when the current thread is not an instance of `RealtimeThread`.

*Returns*

True when the thread is not in a deadline miss condition. Otherwise the return value is governed by this thread's scheduler.

Causes the current realtime thread to delay until the next release. (See `release()`<sup>76</sup>.) Used by threads that have a reference to aperiodic `ReleaseParameters`<sup>77</sup>. The first release starts when `this` thread is released as a consequence of the action of one of the `start()`<sup>78</sup> family of methods. Each time it is called this method will block until the next release unless the thread is in a deadline miss condition. In that case the operation of `waitForNextRelease` is controlled by this thread's scheduler. (See `PriorityScheduler`<sup>79</sup>.)

**Available since RTSJ version RTSJ 2.0**

## `waitForNextReleaseInterruptible`

*Signature*

```
public static
boolean waitForNextReleaseInterruptible()
throws InterruptedException
```

*Throws*

*InterruptedException*

*IllegalThreadStateException* when `this` does not have a reference to a `ReleaseParameters`<sup>80</sup> type of `AperiodicParameters`<sup>81</sup>.

*ClassCastException* when the current thread is not an instance of `RealtimeThread`.

*Returns*

True when the thread is not in a deadline miss condition. Otherwise the return value is governed by this thread's scheduler.

Causes the current realtime thread to delay until the next release. (See `release()`<sup>82</sup>.) Used by threads that have a reference to aperiodic `ReleaseParameters`<sup>83</sup>. The first

---

<sup>76</sup>Section 5.3.2.2.2

<sup>77</sup>Section 6.4.2.8

<sup>78</sup>Section 5.3.2.2.2

<sup>79</sup>Section 6.4.2.6

<sup>80</sup>Section 6.4.2.8

<sup>81</sup>Section 6.4.2.2

<sup>82</sup>Section 5.3.2.2.2

<sup>83</sup>Section 6.4.2.8

release starts when `this` thread is released as a consequence of the action of one of the `start()`<sup>84</sup> family of methods. Each time it is called this method will block until the next release unless the thread is in a deadline miss condition. In that case the operation of `waitForNextRelease` is controlled by this thread's scheduler. (See `PriorityScheduler`<sup>85</sup>.)

Available since RTSJ version RTSJ 2.0

## release

*Signature*

```
public
void release()
```

*Throws*

*IllegalThreadStateException* when `this` does not have a reference to a `ReleaseParameters`<sup>86</sup> type of `AperiodicParameters`<sup>87</sup>.

Generate a release for this `RealtimeThread`. The action of this release is governed by the schedule. It may, for instance, act immediately, or be queued, delayed, or discarded.

Available since RTSJ version RTSJ 2.0

## deschedule

*Signature*

```
public
void deschedule()
```

If the `ReleaseParameters`<sup>88</sup> object associated with `this` `RealtimeThread` is an instance of `AperiodicParameters`<sup>89</sup>, perform any *deschedule* actions specified by this thread's scheduler. If the type of the associated instance of `ReleaseParameters`<sup>90</sup> is not `AperiodicParameters`<sup>91</sup> nothing happens.

---

<sup>84</sup>Section 5.3.2.2.2

<sup>85</sup>Section 6.4.2.6

<sup>86</sup>Section 6.4.2.8

<sup>87</sup>Section 6.4.2.2

<sup>88</sup>Section 6.4.2.8

<sup>89</sup>Section 6.4.2.2

<sup>90</sup>Section 6.4.2.8

<sup>91</sup>Section 6.4.2.2

Available since RTSJ version RTSJ 2.0

## deschedulePeriodic

*Signature*

```
public
void deschedulePeriodic()
```

If the `ReleaseParameters`<sup>92</sup> object associated with `this RealtimeThread` is an instance of `PeriodicParameters`<sup>93</sup>, perform any *deschedulePeriodic* actions specified by this thread's scheduler. If the type of the associated instance of `ReleaseParameters`<sup>94</sup> is not `PeriodicParameters`<sup>95</sup> nothing happens.

## getMemoryArea

*Signature*

```
public
java.lang.realtime.MemoryArea getMemoryArea()
```

*Returns*

A reference to the initial memory area for this thread.

Return the initial memory area for this `RealtimeThread` (corresponding to the `area` parameter for the constructor.)

*Note:* Unlike the scheduling-related parameter objects, there is never a case where a default parameter will be constructed for the thread. The default is a *reference* to the current allocation context when `this` is constructed.

Available since RTSJ version RTSJ 1.0.1

## mayUseHeap

*Signature*

```
public
boolean mayUseHeap()
```

---

<sup>92</sup>Section 6.4.2.8

<sup>93</sup>Section 6.4.2.4

<sup>94</sup>Section 6.4.2.8

<sup>95</sup>Section 6.4.2.4



Test if the thread may access the heap.

Available since RTSJ version RTSJ 2.0

## getMemoryParameters

*Signature*

```
public  
javax.realtime.MemoryParameters getMemoryParameters()
```

*Returns*

@inheritDoc

@inheritDoc

## getProcessingGroupParameters

*Signature*

```
public  
javax.realtime.ProcessingGroupParameters  
getProcessingGroupParameters()
```

*Returns*

@inheritDoc

@inheritDoc

## getConfigurationParameters

*Signature*

```
public  
javax.realtime.ConfigurationParameters  
getConfigurationParameters()
```

*Returns*

@inheritDoc

@inheritDoc

## getReleaseParameters

*Signature*

```
public  
javax.realtime.ReleaseParameters getReleaseParameters()
```

*Returns*

@inheritDoc

@inheritDoc

## getScheduler

*Signature*

```
public
    javax.realtime.Scheduler getScheduler()
```

*Returns*

@inheritDoc

@inheritDoc

## getSchedulingParameters

*Signature*

```
public
    javax.realtime.SchedulingParameters getSchedulingParameters()
```

*Returns*

@inheritDoc

@inheritDoc

## interrupt

*Signature*

```
public
    void interrupt()
```

Extends the function of `Thread.interrupt()`, generates the generic `AsynchronouslyInterruptedException` and targets it at this, and sets the interrupted state to pending. (See [AsynchronouslyInterruptedException](#)<sup>96</sup>.

The semantics of `Thread.interrupt()` are preserved.

## schedule

*Signature*

```
public
    void schedule()
```

Begin unblocking `RealtimeThread.waitForNextRelease`<sup>97</sup> for an periodic thread. If deadline miss detection is disabled, enable it. Typically used when an aperiodic schedulable is in a deadline miss condition.

---

<sup>96</sup>Section [8.4.2.1](#)

<sup>97</sup>Section [5.3.2.2.2](#)

The details of the interaction of this method with `deschedule`<sup>98</sup>, `waitForNextRelease`<sup>99</sup> and `release`<sup>100</sup> are dictated by this thread's scheduler. If this `RealtimeThread` does not have a type of `AperiodicParameters`<sup>101</sup> as its `ReleaseParameters`<sup>102</sup> nothing happens.

Available since RTSJ version RTSJ 2.0

## schedulePeriodic

*Signature*

```
public
void schedulePeriodic()
```

Begin unblocking `RealtimeThread.waitForNextPeriod`<sup>103</sup> for a periodic thread. If deadline miss detection is disabled, enable it. Typically used when a periodic schedulable is in a deadline miss condition. The details of the interaction of this method with `deschedulePeriodic`<sup>104</sup> and `waitForNextPeriod`<sup>105</sup> are dictated by this thread's scheduler.

If this `RealtimeThread` does not have a type of `PeriodicParameters`<sup>106</sup> as its `ReleaseParameters`<sup>107</sup> nothing happens.

## setMemoryParameters(MemoryParameters)

*Signature*

```
public
void setMemoryParameters(MemoryParameters memory)
```

*Parameters*

```
memory @inheritDoc
```

*Throws*

```
IllegalArgumentException @inheritDoc
IllegalAssignmentError @inheritDoc
IllegalThreadStateException @inheritDoc
```

---

<sup>98</sup>Section 5.3.2.2.2

<sup>99</sup>Section 5.3.2.2.2

<sup>100</sup>Section 5.3.2.2.2

<sup>101</sup>Section 6.4.2.2

<sup>102</sup>Section 6.4.2.8

<sup>103</sup>Section 5.3.2.2.2

<sup>104</sup>Section 5.3.2.2.2

<sup>105</sup>Section 5.3.2.2.2

<sup>106</sup>Section 6.4.2.4

<sup>107</sup>Section 6.4.2.8

@inheritDoc

## **setProcessingGroupParameters(ProcessingGroupParameters)**

*Signature*

```
public
void setProcessingGroupParameters(ProcessingGroupParameters
group)
```

*Parameters*

*group* @inheritDoc

*Throws*

*IllegalArgumentException* @inheritDoc

*IllegalAssignmentError* @inheritDoc

*IllegalThreadStateException* @inheritDoc

@inheritDoc

## **setReleaseParameters(ReleaseParameters)**

*Signature*

```
public
void setReleaseParameters(ReleaseParameters release)
```

*Parameters*

*release* @inheritDoc

*Throws*

*IllegalArgumentException* @inheritDoc

*IllegalAssignmentError* @inheritDoc

*IllegalThreadStateException* @inheritDoc

@inheritDoc

## **setScheduler(Scheduler)**

*Signature*

```
public
void setScheduler(Scheduler scheduler)
```

*Parameters*

*scheduler* @inheritDoc

*Throws*

*IllegalArgumentException* @inheritDoc

*IllegalAssignmentError* @inheritDoc

*SecurityException* @inheritDoc

*IllegalThreadStateException* @inheritDoc  
@inheritDoc

### **setScheduler(Scheduler, SchedulingParameters, ReleaseParameters, MemoryParameters, ProcessingGroupParameters)**

#### *Signature*

```
public  
void setScheduler(Scheduler scheduler, SchedulingParameters  
scheduling, ReleaseParameters release, MemoryParameters  
memoryParameters, ProcessingGroupParameters group)
```

#### *Parameters*

*scheduler* @inheritDoc  
*scheduling* @inheritDoc  
*release* @inheritDoc  
*memoryParameters* @inheritDoc  
*group* @inheritDoc

#### *Throws*

*IllegalArgumentException* @inheritDoc  
*IllegalAssignmentError* @inheritDoc  
*IllegalThreadStateException* @inheritDoc  
*SecurityException* @inheritDoc

@inheritDoc

### **setSchedulingParameters(SchedulingParameters)**

#### *Signature*

```
public  
void setSchedulingParameters(SchedulingParameters scheduling)
```

#### *Parameters*

*scheduling* @inheritDoc

#### *Throws*

*IllegalArgumentException* @inheritDoc  
*IllegalAssignmentError* @inheritDoc  
*IllegalThreadStateException* @inheritDoc

@inheritDoc

### **startPeriodic(PhasingPolicy)**

#### *Signature*

```
public
void startPeriodic(PhasingPolicy phasingPolicy)
throws LateStartException
```

*Parameters*

*phasingPolicy* The phasing policy to be applied if the start time given in the realtime thread's associated [PeriodicParameters](#)<sup>108</sup> is in the past.

*Throws*

*java.x.realtime.LateStartException* when the actual start time is after the assigned start time and the phasing policy is [PhasingPolicy.STRICT\\_PHASING](#)<sup>109</sup>.  
*IllegalArgumentException* when the thread is not periodic, or if its start time is not absolute.

Start the thread with the specified phasing policy.

**Available since RTSJ version RTSJ 2.0**

**start***Signature*

```
public
void start()
```

Set up the realtime thread's environment and start it. The set up might include delaying it until the assigned start time and initializing the thread's scope stack. (See [ScopedMemory](#)<sup>110</sup>.)

**getLastReleaseTime***Signature*

```
public
java.x.realtime.AbsoluteTime getLastReleaseTime()
```

Equivalent to `getLastReleaseTime(null)`

**Available since RTSJ version RTSJ 2.0**

**getLastReleaseTime(AbsoluteTime)***Signature*


---

<sup>108</sup>Section [6.4.2.4](#)

<sup>109</sup>Section [5.3.1.1.1](#)

<sup>110</sup>Section [11.4.3.12](#)

```
public
  javax.realtime.AbsoluteTime getLastReleaseTime(AbsoluteTime
  dest)
```

*Returns*

the last release time in `dest`. If `dest` is `null`, create a new absolute time instance in the current memory area.

Return the absolute time of this thread's last release, whether periodic or aperiodic.

The clock in the returned absolute time shall be the realtime clock for aperiodic releases and the clock used for the periodic release for periodic releases.

Available since RTSJ version RTSJ 2.0

**getEffectiveStartTime***Signature*

```
public
  javax.realtime.AbsoluteTime getEffectiveStartTime()
```

Equivalent to `getEffectiveStartTime(null)`.

Available since RTSJ version RTSJ 2.0

**getEffectiveStartTime(AbsoluteTime)***Signature*

```
public
  javax.realtime.AbsoluteTime getEffectiveStartTime(AbsoluteTime
  dest)
```

*Returns*

The effective start time in `dest`. If `dest` is `null`, return the effective start time in an [AbsoluteTime](#)<sup>111</sup> instance created in the current memory area.

Return the effective start time of this realtime thread. This is not necessarily the same as the start time in the release parameters.

- If the release parameters' start time is relative, the effective start time is the time of the first release.
- If the release parameters' start time is an absolute time after `start()` is invoked, the effective start time is the same as the release parameters' start time.

---

<sup>111</sup>Section [9.4.1.1](#)

- If the release parameters' start time is an absolute time before `start()` is invoked, the effective start time depends on the phasing policy.

The default is to set the effective start time equal to the time `start()` is invoked.

**Available since RTSJ version RTSJ 2.0**

## `getCurrentConsumption(RelativeTime)`

*Signature*

```
public static
    javax.realtime.RelativeTime getCurrentConsumption(RelativeTime
    dest)
```

*Throws*

*IllegalStateException* when the caller is not a `RealtimeThread`<sup>112</sup>.

*Returns*

The CPU consumption for this release. If `dest` is null, return the CPU consumption in a `RelativeTime`<sup>113</sup> instance created in the current execution context. If `dest` is not null, return the CPU consumption in `dest`

**Available since RTSJ version RTSJ 2.0**

## `getCurrentConsumption`

*Signature*

```
public static
    javax.realtime.RelativeTime getCurrentConsumption()
```

Equivalent to `getCurrentConsumption(null)`.

**Available since RTSJ version RTSJ 2.0**

## `getMinConsumption(RelativeTime)`

*Signature*

```
public
    javax.realtime.RelativeTime getMinConsumption(RelativeTime dest)
```

---

<sup>112</sup>Section 5.3.2.2

<sup>113</sup>Section 9.4.1.3



*Returns*

the minimum CPU consumption in `dest`. If `dest` is `null` return the minimum CPU consumption in a `RelativeTime`<sup>114</sup> instance created in the current memory area.

Get the minimum CPU consumption measured for any completed release of this thread.

Available since RTSJ version RTSJ 2.0

## **getMinConsumption**

*Signature*

```
public  
    javax.realtime.RelativeTime getMinConsumption()
```

Equivalent to `getMinConsumption(null)`.

Available since RTSJ version RTSJ 2.0

## **getMaxConsumption(RelativeTime)**

*Signature*

```
public  
    javax.realtime.RelativeTime getMaxConsumption(RelativeTime dest)
```

*Returns*

the maximum CPU consumption in `dest`. If `dest` is `null` return the maximum CPU consumption in a `RelativeTime`<sup>115</sup> instance created in the current memory area.

Get the maximum CPU consumption measured for any completed release of this thread.

Available since RTSJ version RTSJ 2.0

## **getMaxConsumption**

*Signature*

---

<sup>114</sup>Section 9.4.1.3

<sup>115</sup>Section 9.4.1.3

```
public
    javax.realtime.RelativeTime getMaxConsumption()
Equivalent to getMaxConsumption(null).
```

Available since RTSJ version RTSJ 2.0

## getDispatcher

*Signature*

```
public
    javax.realtime.TimeDispatcher getDispatcher()
```

See [Section Timable.getDispatcher\(\)](#)

Available since RTSJ version RTSJ 2.0

## fire

*Signature*

```
public final
    void fire()
```

Indicate that a new period has started.

See [Section Timable.fire\(\)](#)

Available since RTSJ version RTSJ 2.0

## wakeup

*Signature*

```
public final
    void wakeup()
```

Indicate that a sleep has ended.

See [Section Schedulable.wakeup\(\)](#)

Available since RTSJ version RTSJ 2.0

## 5.4 Rationale

The Java platform's priority-preemptive dispatching model is very similar to the dispatching model found in the majority of commercial realtime operating systems. However, the dispatching semantics were purposefully relaxed in order to allow execution on a wide variety of operating systems. Thus, it is appropriate to specify realtime threads by extending `java.lang.Thread`.

The `ReleaseParameters` and `MemoryParameters` provided to the `RealtimeThread` constructor allow for a number of common realtime thread types, including periodic threads.

The `NoHeapRealtimeThread` class is provided in order to allow time-critical threads to execute in preference to the garbage collector given appropriate assignment of execution eligibility. The memory access and assignment semantics of the `NoHeapRealtimeThread` are designed to guarantee that the execution of such threads does not lead to an inconsistent heap state.



# Chapter 6

## Scheduling

### 6.1 Overview

The scheduler required by this specification is fixed-priority preemptive with at least 28 unique priority levels. It is represented by the class `PriorityScheduler` and is called the *base scheduler*.

The schedulables required by this specification are defined by the classes `RealtimeThread`, `NoHeapRealtimeThread`, `AsyncEventHandler`, and `BoundAsyncEventHandler`. The base scheduler assigns processor resources according to the schedulables' release characteristics, execution eligibility, affinity, and processing group values. Subclasses of the schedulables are also schedulables and behave as these required classes.

An instance of the `SchedulingParameters` class contains values of execution eligibility. A schedulable is considered to have the execution eligibility represented by the `SchedulingParameters` object currently bound to it. For implementations providing only the base scheduler, the scheduling parameters object is an instance of `PriorityParameters` (a subclass of `SchedulingParameters`).

An instance of the `ReleaseParameters` class or its subclasses, `PeriodicParameters`, `AperiodicParameters`, and `SporadicParameters`, contains values that define a particular release characteristic. A schedulable is considered to have the release characteristics of a single associated instance of the `ReleaseParameters` class.

For a realtime thread, the scheduler defines the behavior of the realtime thread's `waitForNextPeriod`, `waitForNextPeriodInterruptible`, `waitForNextRelease`, and `waitForNextReleaseInterruptible` methods, and monitors cost overrun and deadline miss conditions based on its release parameters. For asynchronous event handlers, the scheduler monitors cost overruns and deadline misses.

Release parameters also govern the treatment of the minimum interarrival time for sporadic schedulables.

An instance of the `ProcessingGroupParameters` class contains values that define a temporal scope for a processing group on a single processor. If a schedulable has an associated instance of the `ProcessingGroupParameters` class, it is said to execute within the temporal scope defined by that instance. A single instance of the `ProcessingGroupParameters` class can be (and typically is) associated with many SOs. If the implementation supports cost enforcement, the combined processor demand of all of the SOs associated with an instance of the `ProcessingGroupParameters` class must not exceed the values in that instance (i.e., the defined temporal scope). The processor demand is determined by the `Scheduler`.

The scheduling classes provide the necessary support for realtime scheduling. These classes

- allow the definition of schedulables,
- manage the assignment of execution eligibility to schedulable objects,
- manage the execution of instances of the `AsyncEventHandler` and `RealtimeThread` classes,
- assign release characteristics to schedulables,
- assign execution eligibility values to schedulables, and
- manage the execution of groups of schedulables that collectively exhibit additional release characteristics.

## 6.2 Definitions

Classes that implement the scheduling behavior of realtime tasks implement the `Schedulable` interface. Instances of these classes are referred to as Schedulables (SO) and provide three execution states: *executing*, *blocked*, and *eligible-for-execution*.

- *Executing* refers to the state where the SO is currently running on a processor.
- *Blocked* refers to the state where the SO is not among those SO's that could be selected to have their state changed to executing. The blocked state will have a reason associated with it, e.g., blocked-for-I/O-completion, blocked-for-release-event, or blocked-by-cost-overflow.
- *Eligible-for-execution* refers to the state where the SO could be selected to have its state changed to executing.

Each type of schedulable defines its own *release events*, for example, the release events for a periodic SO are caused by the passage of time and occur at programmatically specified intervals.

*Release* is the changing of the state of a schedulable from blocked-for-release-event to eligible-for-execution. If the state of an SO is blocked-for-release-event when a release event occurs then the state of the SO is changed to eligible-for-execution. Otherwise, a state transition from blocked-for-release-event to eligible-for-execution is queued; this is known as a *pending release*. When the next transition of the SO

into state blocked-for-release-event occurs, and there is a pending release, the state of the SO is immediately changed to eligible-for-execution. (Some actions implicitly clear any pending releases.)

*Completion* is the changing of the state of a schedulable from executing to blocked-for-release-event. Each completion corresponds to a release. A realtime thread is deemed to complete its most recent release when it terminates.

*Deadline* refers to a time before which a schedulable expects to complete. The  $i^{\text{th}}$  deadline is associated with the  $i^{\text{th}}$  release event and a *deadline miss* occurs if the  $i^{\text{th}}$  completion would occur after the  $i^{\text{th}}$  deadline.

*Deadline monitoring* is the process by which the implementation responds to deadline misses. If a deadline miss occurs for a schedulable object, the deadline miss handler, if any, for that SO is released. This behaves as if there were an asynchronous event associated with the SO, to which the miss handler was bound, and which was fired when the deadline miss occurred.

*Periodic*, *sporadic*, and *aperiodic* are adjectives applied to schedulables which describe the temporal relationship between consecutive release events. Let  $R_i$  denote the time at which an SO has had the  $i^{\text{th}}$  release event occur. Ignoring the effect of release jitter:

- an SO is periodic when there exists a value  $T > 0$  such that for all  $i$ ,  $R_{i+1} - R_i = T$ , where  $T$  is called the period;
- an SO that is not periodic is said to be aperiodic; and
- an aperiodic SO is said to be sporadic when there is a known value  $T > 0$  such that for all  $i$ ,  $R_{i+1} - R_i \geq T$ .  $T$  is then called the minimum interarrival time (MIT).

The *cost* of a schedulable is an estimate of the maximum amount of CPU time that the SO requires between a release and its associated completion.

The *current CPU consumption* of a schedulable is the amount of CPU time that the SO has consumed since its last release.

A *cost overrun* occurs when the schedulable's current CPU consumption becomes greater than, or equal to, its cost.

*Cost monitoring* is the process by which the implementation tracks CPU consumption and responds to cost overruns. If a cost overrun occurs for a schedulable, the cost overrun handler, if any, for that SO is released. This behaves as if there were an asynchronous event associated with the SO, to which the overrun handler was bound, and which was fired when the cost overrun occurred.

*Cost enforcement* is the process by which the implementation ensures that the CPU consumption of a SO is no more than the value of the cost parameter in its associated `ReleaseParameters`. (Cost enforcement is an optional facility in an implementation of the RTSJ.)

The *base priority* of a schedulable is the priority given in its associated `PriorityParameters` object; the base priority of a Java thread is the priority returned by

its `getPriority` method.

When it is not in the enforced state, the *active priority* of a schedulable or a Java thread is the maximum of its base priority and any priority it has acquired due to the action of priority inversion avoidance algorithms (see the *Synchronization Chapter*).

A *processing group* is a collection of schedulables whose combined execution has further execution time constraints which the scheduler uses to govern the group's execution eligibility.

A *scheduler* manages the execution of schedulables: it detects deadline misses and monitors costs. It also manages the execution of Java threads.

The *base scheduler* is an instance of the `PriorityScheduler` class as defined in this specification. This is the initial default scheduler.

A *processor* is a logical processing element that is capable of physically executing a single thread of control at any point in time. Hence, multicore platforms have multiple processors, platforms that support hyperthreading also have more than one processor. It is assumed that all processors are capable of executing the same instruction sets.

An *affinity* is a set of processors on which the global scheduling of a schedulable can be supported.

## 6.3 Semantics

This section establishes the semantics that are applicable across the classes of this chapter, and also defines the required scheduling algorithm. Semantics that apply to particular classes, constructors, methods, and fields will be found in the class description and the constructor, method, and field detail sections.

### 6.3.1 Schedulers

1. Schedulers other than the base scheduler may change the execution eligibility of the schedulables which they manage according to their scheduling algorithm.
2. If an implementation provides any public schedulers other than the base scheduler it shall provide documentation describing each scheduler's semantics in language and constructs appropriate to the provided scheduling algorithms. This documentation must include the list of classes that constitute schedulables for the scheduler unless that list is the same as the list of schedulables for the base scheduler.



## 6.3.2 The Base Scheduler

The semantics for the base scheduler assume a uniprocessor or shared memory multiprocessor execution environment. Scheduling is priority preemptive with run to completion, also known as first-in-first-out (FIFO) semantics. The base scheduler supports the execution of all schedulables.

**Open issue:** The base scheduler does not really handle conventional Java threads  
**End of open issue**

### 6.3.2.1 Priorities

1. The base scheduler must support at least 28 distinct values (realtime priorities) that can be stored in an instance of `PriorityParameters` in addition to the values 1 through 10 required to support the priorities defined by `java.lang.Thread`. The base priority of each schedulable object under the control of the base scheduler must be from the range of realtime priorities. The realtime priority values must be greater than 10, and they must include all integers from the base scheduler's `getMinPriority()` value to its `getMaxPriority()` value inclusive. The 10 priorities defined for `java.lang.Thread` must effectively have lower execution eligibility than the realtime priorities, but beyond this, their behavior is as defined by the specification of `java.lang.Thread`.
2. Higher priority values in an instance of `PriorityParameters` have a higher execution eligibility.
3. Assignment of any of the realtime priority values to any schedulable controlled by the base priority scheduler is legal. It is the responsibility of application logic to make rational priority assignments.
4. The base scheduler does not use the `importance` value in the `ImportanceParameters` subclass of `PriorityParameters`.
5. For schedulables managed by the base scheduler, the implementation must not change the execution eligibility for any reason other than
  - implementation of a priority inversion avoidance algorithm or
  - as a result of a program's request to change the priority parameters associated with one or more schedulables; e.g., by changing a value in a scheduling parameter object that is used by one or more schedulables, or by using `setSchedulingParameters()` to give a schedulable a different `SchedulingParameters` value.
6. Use of `Thread.setPriority()`, any of the methods defined for schedulables, or any of the methods defined for parameter objects must not affect the correctness of the priority inversion avoidance algorithms controlled by `PriorityCeilingEmulation` and `PriorityInheritance` — see the *Synchronization* chapter.

7. If schedulable  $A$  managed by the base scheduler creates a Java thread,  $B$ , then the initial base priority of  $B$  is the priority value returned by the `getMaxPriority` method of  $B$ 's `java.lang.ThreadGroup` object.
8. `PriorityScheduler.getNormPriority()` shall be set to:

---

```

1 ((PriorityScheduler.getMaxPriority() -
2  PriorityScheduler.getMinPriority()) / 3) +
3  PriorityScheduler.getMinPriority()

```

---

9. Hardware priorities, where supported, have values above the base scheduler (see Section 12.3.4).

### 6.3.2.2 Dispatching

The execution scheduling semantics described in this section are defined in terms of a conceptual model that contains a set of queues of schedulables that are eligible for execution. There is, conceptually, one queue for each priority on each processor. No implementation structures are necessarily implied by the use of this conceptual model. It is assumed that no time elapses during operations described using this model, and therefore no simultaneous operations are possible.

The RTSJ dispatching model specifies its dispatching rules for the default priority scheduler.

1. A schedulable can become a running schedulable only if it is ready and one of the processors in its requested affinity is available.
2. If two schedulables have different active priorities and request the same processor, the schedulable with the higher active priority will always execute in preference to the schedulable with the lower value when both are eligible for execution.
3. Processors are allocated to schedulables based on each schedulable's active priority and their associated affinity.
4. schedulable dispatching is the process by which one ready schedulable is selected for execution on a processor. This selection is done at certain points during the execution of a schedulable called *schedulable dispatching points*.
5. A schedulable reaches a *schedulable dispatching point* whenever it becomes blocked, when it terminates, or when a higher priority schedulable becomes ready for execution on its processor. That is, a schedulable that is executing will continue to execute until it either blocks, terminates or is preempted by a higher-priority schedulable.
6. The dispatching policy is specified in terms of ready queues and schedulable states. The ready queues are purely conceptual; there is no requirement that such lists physically exist in an implementation. A ready queue is an ordered

list of ready schedulable objects. The first position in a queue is called the head of the queue, and the last position is called the tail of the queue.

7. A schedulable is ready if it is in a ready queue, or if it is running. Each processor has one ready queue for each priority value. At any instant, each ready queue of a processor contains exactly the set of schedulables of that priority that are ready for execution on that processor, but are not running on any processor; that is, those schedulables that are ready, are not running on any processor, and can be executed using that processor.
8. A schedulable can be on the ready queues of more than one processor.
9. Each processor has one running schedulable, which is the schedulable currently being executed by that processor. Whenever a schedulable running on a processor reaches a schedulable dispatching point, a new schedulable object is selected to run on that processor. The schedulable selected is the one at the head of the highest priority nonempty ready queue for that processor; this schedulable is then removed from all ready queues to which it belongs.
10. In a multiprocessor system, a schedulable can be on the ready queues of more than one processor. At the extreme, if several processors share the same set of ready schedulables, the contents of their ready queues are identical, and so they can be viewed as sharing one ready queue, and can be implemented that way. Thus, the dispatching model covers multiprocessors where dispatching is implemented using a single ready queue, as well as those with separate dispatching domains.
11. The dispatching mechanism must allow the preemption of the execution of schedulables and Java threads with a bounded delay at a point not governed by the preempted object. The bound on this delay may be implementation-defined, and could be the time to the next point in execution that the heap is in a consistent state or some similar restriction. The implementation should document this bound.
12. A schedulable that is preempted by a higher priority schedulable is placed in the queue for its active priority, at a position determined by the implementation. The implementation must document the algorithm used for such placement. It is recommended that a preempted schedulable be placed at the front of the appropriate queue.
13. A realtime thread that performs a `yield()` is placed at the tail of the queues (dictated by its affinity) for its active priority level.
14. A blocked schedulable that becomes eligible for execution is added to the tail of the queues (dictated by its affinity) for that priority. This behavior also applies to the initial release of a schedulable.
15. For a schedulable whose active priority is changed as a result of explicitly setting its base priority (through the `PriorityParameters setPriority()` method, the `RealtimeThread setSchedulingParameters()` method, or `Thread's`

`setPriority()` method), this schedulable is added to the tail of the queues (dictated by its affinity) for its new priority level. Queuing when priorities are adjusted by priority inversion avoidance algorithms is governed by semantics specified in the *Synchronization* chapter.

### 6.3.2.3 Parameter Values

The scheduler uses the values contained in the different parameter objects associated with a schedulable to control the behavior of the schedulable. The scheduler determines what values are valid for the schedulables it manages, which defaults apply and how changes to parameter values are acted upon by the scheduler. Invalid parameter values result in exceptions, as documented in the relevant classes and methods.

1. The default values for the base scheduler are:
  - (a) Scheduling parameters are copied from the creating SO if possible; if the creating SO does not have scheduling parameters, the default is an instance of the default priority parameters value.
  - (b) Release parameters default to an instance of the default aperiodic parameters (see `AperiodicParameters`).
  - (c) Memory parameters default to null which signifies that memory allocation by the schedulable is not constrained by the scheduler.
  - (d) Processing group parameters default to null which signifies that the schedulable is not a member of any processing group and is not subject to processing group based limits on processor utilization.
  - (e) The default scheduling parameter values for parameter objects created by an SO controlled by the base scheduler are: (see `PriorityScheduler`)

Attribute	Default Value
<i>Priority parameters</i> priority	norm priority
<i>Importance parameters</i> importance	No default. A value must be supplied.

2. All numeric or `RelativeTime` attributes in parameter values must be greater than or equal to zero.
3. Values of period must be greater than zero.
4. Deadline values in `ReleaseParameters` objects must be less than or equal to their period values (where applicable), but the deadline may be greater than the minimum interarrival time in a `SporadicParameters` object.
5. Changes to scheduling, release, memory, and processing group parameters (by methods on the schedulables bound to the parameters or by altering the parameter objects themselves) have the following effect effects:

- (a) They potentially modify the behavior of the scheduler with regard to those schedulables. When such changes in behavior take effect depends on the parameter in question, and the type of schedulable, as described below.
- 6. Changes to scheduling, release, memory, and processing group parameters are acted upon by the base scheduler as follows:
  - (a) Changes to scheduling parameters take effect immediately except when constrained by priority inversion avoidance algorithms.
  - (b) Changes to release parameters depend on the parameter being changed, the type of release parameter object and the type of schedulable:
    - i. Changes to the deadline and the deadline miss handler take effect at each release event as follows: if the  $i^{th}$  release event occurred at a time  $t_i$ , then the  $i^{th}$  deadline is the time  $t_i + D_i$ , where  $D_i$  is the value of the deadline stored in the schedulable's release parameters object at the time  $t_i$ . If a deadline miss occurs then it is the deadline miss handler that was installed in the schedulable's release parameters at time  $t_i$  that is released.
    - ii. Changes to cost and the cost overrun handler take effect immediately.
    - iii. Changes to the period and start time values in `PeriodicParameters` objects are described in "Release of realtime Threads" below.
    - iv. Changes to the additional values in `AperiodicParameters` objects and `SporadicParameters` are described, respectively, in "Aperiodic Release Control" and "Sporadic Release Control", below.
    - v. Changes to the type of release parameters object generally take effect after completion, except as documented in the following sections.
  - (c) Changes to memory parameters take effect immediately.
  - (d) Changes to processing group parameters take effect as described in "Processing Groups" below.
  - (e) Changes to the scheduler responsible for a schedulable object take effect at completion.

#### 6.3.2.4 Cost Monitoring and Cost Enforcement

The cost of an SO is defined by the value returned by invoking the `getCost` method of the SO's release parameters object. When an SO is initially released it's current CPU consumption is zero and as the SO executes, the current CPU consumption increases. For cost monitoring, an implementation must conform to the following requirements.

1. If at any time, due to either execution of the SO or a change in the SO's cost, the current CPU consumption becomes greater than, or equal to, the current cost of the SO, then a cost overrun is triggered. The implementation

is required to document the granularity at which the current CPU consumption is updated.

2. When a cost overrun is triggered, the cost overrun handler associated with the SO, if any, is released. No further action is taken.
3. The current CPU consumption is reset to zero when the SO is next released (i.e. it moves from the blocked-for-release-event state to the eligible-for-execution state).

If cost enforcement is supported, an implementation must conform to the following requirements.

1. When a cost overrun is triggered, in addition to releasing any cost overrun handler, the following actions must be performed.
2. If the most recent release of the SO is the  $i^{\text{th}}$  release, and the  $i + 1$  release event has not yet occurred, then:
  - (a) If the state of the SO is either executing or eligible-for-execution, then the SO is placed into the state blocked-by-cost-overrun. There may be a bounded delay between the time at which a cost overrun occurs and the time at which the SO becomes blocked-by-cost-overrun.
  - (b) Otherwise, the SO must have been blocked for a reason other than blocked-by-cost-overrun. In this case, the state change to blocked-by-cost-overrun is left pending: if the blocking condition for the SO is removed, then its state changes to blocked-by-cost-overrun. There may be a bounded delay between the time at which the blocking condition is removed and the time at which the SO becomes blocked-by-cost-overrun.

Otherwise, if the  $i + 1$  release event has occurred, the current CPU consumption is set to zero, the SO remains in its current state and the cost monitoring system considers the most recent release to now be the  $i + 1$  release.

3. When the  $i^{\text{th}}$  release event occurs for an SO, the action taken depends on the state of the SO:
  - (a) If the SO is blocked-by-cost-overrun then the cost monitoring system considers the most recent release to be the  $i^{\text{th}}$  release, the current CPU consumption is set to zero and the SO is made eligible for execution;
  - (b) Otherwise, if the SO is blocked for a reason other than blocked-by-cost-overrun then:
    - i. If there is a pending state change to blocked-by-cost-overrun then: the pending state change is removed, the cost monitoring system considers the most recent release to be the  $i^{\text{th}}$  release, the current CPU consumption is set to zero and the SO remains in its current blocked state;
    - ii. Otherwise, no cost monitoring action occurs.
  - (c) Otherwise no cost monitoring action occurs.
4. When the  $i^{\text{th}}$  release of an SO completes, and the cost monitoring system

considers the most recent release to be the  $i^{th}$  release, then the current CPU consumption is set to zero and the cost monitoring system considers the most recent release to be the  $i + 1$  release. Otherwise, no cost monitoring action occurs.

5. Changes to the cost parameter take effect immediately:
  - (a) If the new cost is less than or equal to the current CPU consumption, and the old cost was greater than the current CPU consumption, then a cost overrun is triggered.
  - (b) If the new cost is greater than the current CPU consumption:
    - i. If the SO is blocked-by-cost-overrun, then the SO is made eligible for execution;
    - ii. Otherwise, if the SO is blocked for a reason other than blocked-by-cost-overrun, and there is a pending state change to blocked-by-cost-overrun, then the pending state change is removed;
    - iii. Otherwise, no cost monitoring action occurs.
6. The state of the cost monitoring system for an SO can be *reset* by the scheduler (see 6e in the Release of realtime Threads section, below). If the most recent release of the SO is considered to be the  $m^{th}$  release, and the most recent release event for the SO was the  $n^{th}$  release event (where  $n > m$ ), then a reset causes the cost monitoring system to consider the most recent release to be the  $n^{th}$  release, and to zero the current CPU consumption.

### 6.3.2.5 Release of Realtime Threads

The repeated release of realtime threads is achieved by executing in a loop and invoking the `RealtimeThread.waitForNextPeriod` or `RealtimeThread.waitForNextRelease` methods, or their interruptible equivalents (`RealtimeThread.waitForNextPeriodInterruptible` `RealtimeThread.waitForNextReleaseInterruptible`) within that loop. For simplicity, unless otherwise stated, the semantics in this section apply to both forms of those methods.

1. A realtime thread's release characteristics are determined by the following:
  - (a) The invocation of the realtime thread's `start` method and the value of its phasing policy parameter (if applicable).
  - (b) The action of the `RealtimeThread` methods: `waitForNextPeriod`, `waitForNextPeriodInterruptible`, `schedulePeriodic`, `deschedulePeriodic`, `waitForNextRelease`, `waitForNextReleaseInterruptible`, `schedule`, and `deschedule`;
  - (c) The occurrence of deadline misses and whether or not a miss handler is installed; and
  - (d) The passing of time that generates periodic release events and a call of the `release` method that generates aperiodic release events.

2. The *initial release event* of a periodic realtime thread occurs in response to the invocation of the its `start` method in accordance with the start time specified in its release parameters and its assigned phasing policy — see `PeriodicParameters` and `PhasingPolicy`. The *initial release event* of an aperiodic realtime thread occurs immediately in response to the invocation of the its `start` method.
3. Changes to the start time in a realtime thread’s `PeriodicParameters` object only have an effect on its initial release time. Consequently, if a `PeriodicParameters` object is bound to multiple realtime threads, a change in the start time may affect all, some or none, of those threads, depending on whether or not `start` has been invoked on them.
4. Subsequent release events occur
  - (a) for periodic realtime threads: when each period falls due, except as described below (in 6e), at times determined as follows: if the  $i^{\text{th}}$  release event occurred at a time  $t_i$ , then the  $i + 1$  release event occurs at the time  $t_i + T_i$ , where  $T_i$  is the value of the period stored in the realtime thread’s `PeriodicParameters` object at the time  $t_i$ .
  - (b) for aperiodic realtime thread: with each call of the release method, except as described below (in 6e)
  - (c) for sporadic realtime threads: with each call of the release method, except as described below (in 6e) with additional regulation to enforce MIT are required as defined in *Sporadic Release Control* below.
5. Each release of an aperiodic realtime thread is an arrival. If the thread has release parameters of type `AperiodicParameters`, then the arrival may become a release event for the thread according to the semantics given in “Aperiodic Release Control” below. If the thread has release parameters of type `SporadicParameters`, then the arrival may become a release event for the thread according to the semantics given in “Sporadic Release Control” below. If the thread has release parameters of a type other than `SporadicParameters` then the arrival is a release event, and the arrival-time is the release event time.
6. The implementation should behave effectively as if the following state variables were added to a realtime thread’s state,
  - boolean `descheduled`,
  - integer `pendingReleases`,
  - integer `missCount`, and
  - boolean `lastReturn`.
 and manipulated by the actions as described below:
  - (a) Initially:



`descheduled` = false,  
`pendingReleases` = 0,  
`missCount` = 0, and  
`lastReturn` = true.

- (b) When the realtime thread's `deschedulePeriodic` or `deschedule` method is invoked: set the value of `descheduled` to true.
- (c) When the realtime thread's `schedulePeriodic` or `schedule` method is invoked: set the value of `descheduled` to false; then if the thread is blocked-for-release-event, set the value of `pendingReleases` to zero, and tell the cost monitoring and enforcement system to reset for this thread.
- (d) When `descheduled` is true, the realtime thread is said to be *descheduled*.
- (e) A realtime thread that has been descheduled and is blocked-for-release-event will not receive any further release events until after it has been rescheduled by a call to `schedulePeriodic` or `schedule`; this means that no deadline misses can occur until the thread has been rescheduled. The descheduling of a realtime thread has no effect on its initial release.
- (f) When each release event occurs:
  - i. If the state of the realtime thread is blocked-for-release-event (that is, it is waiting in `waitForNextPeriod` or `waitForNextRelease`), then if the thread is descheduled then do nothing, else increment the value of `pendingReleases`, inform cost monitoring and enforcement that the next release event has occurred, and notify the thread to make it eligible for execution;
  - ii. Otherwise, increment the value of `pendingReleases`, and inform cost monitoring and enforcement that the next release event has occurred.
- (g) On each deadline miss:
  - i. If the realtime thread has a deadline miss handler: set the value of `descheduled` to true, atomically release the handler with its `fireCount` increased by the value of `missCount + 1` and zero `missCount`;
  - ii. Otherwise add one to the `missCount` value.
- (h) When the `waitForNextPeriod` or `waitForNextRelease` method is invoked by the current realtime thread there are two possible behaviors depending on the value of `missCount`:
  - i. If `missCount` is greater than zero: decrement the `missCount` value; then if the `lastReturn` value is false, completion occurs: apply any pending parameter changes, decrement `pendingReleases`, inform cost monitoring and enforcement the realtime thread has completed and return false; otherwise set the `lastReturn` value to false and return false.
  - ii. Otherwise, apply any pending parameter changes, inform cost monitoring and enforcement of completion, and then wait while `desched-`

uled is true, or `pendingReleases` is zero. Then set the `lastReturn` value to true, decrement `pendingReleases`, and return true.

7. An invocation of the `waitForNextPeriodInterruptible` or `waitForNextReleaseInterruptible` method behaves as described above with the following additions:
  - (a) If the invocation commences when an instance of `AsynchronouslyInterruptedException` (AIE) is pending on the realtime thread, then the invocation immediately completes abruptly by throwing that pending instance as an `InterruptedException`. If this occurs, the most recent release has not completed. If the pending instance is the generic AIE instance then the interrupt state of the realtime thread is cleared.
  - (b) If an instance of AIE becomes pending on the realtime thread while it is blocked-for-release-event, and the realtime thread is descheduled, then the AIE remains pending until the realtime thread is no longer descheduled. The associated reschedule acts as a release event. Execution then continues as in (d) where the time value used as  $t_{int}$  is the time at which the SO was rescheduled.
  - (c) If an instance of AIE becomes pending on the realtime thread while it is blocked-for-release-event, and it is not descheduled, then this acts as a release event. Execution then continues as in (d) where the time value used as  $t_{int}$  is the time at which the AIE becomes pending.
  - (d)
    - i. The realtime thread is made eligible for execution.
    - ii. Upon execution, the invocation completes abruptly by throwing the pending AIE instance as an `InterruptedException`. If the pending instance is the generic AIE instance then the interrupt state of the realtime thread is cleared.
    - iii. The deadline associated with this release is the time  $t_{int} + D_{int}$ , where  $D_{int}$  is the value of the deadline stored in the realtime thread's release parameters object at the time  $t_{int}$ .
    - iv. The next release time for the realtime thread will be  $t_{int} + T_{int}$ , where  $T_{int}$  is the value of the period stored in the realtime thread's release parameters object at the time  $t_{int}$ .
    - v. Cost monitoring and enforcement is informed of the release event.

When the thrown AIE instance is caught, the AIE becomes pending again (as per the usual semantics for AIE) until it is explicitly cleared.
8. Changes to release parameter types are treated as a pseudo RE-START of the realtime thread and
  - (a) any old pending releases are cleared
  - (b) any old arrival queue is flushed
  - (c) any outstanding call to deschedule is cleared
  - (d) any outstanding deadline misses are cleared

The semantics are described below:

- (a) Effect on the realtime thread if it is not waiting for next release event (and is not descheduled)
  - i. no effect until the end of current release
  - ii. when the change occurs it is a pseudo re-start of the thread. i.e. if new parameters are aperiodic — the release is immediate; if new parameters are periodic — the periodic start time algorithm is used.
- (b) Effect on the realtime thread if it is not waiting for next release event (but there is an outstanding descheduled).
  - i. there is an immediate “schedule” of the thread
  - ii. there is no further effect until end of current release
  - iii. when change occurs it is a pseudo re-start of the thread, i.e. if new parameters are aperiodic — the release is immediate; if new parameters are periodic — the periodic start time algorithm is used.
- (c) Effect on the realtime thread if it is waiting for next release event (and not descheduled)
  - i. From Periodic to Aperiodic — when the next periodic release event occurs, the thread becomes aperiodic with an immediate release
  - ii. From Aperiodic to Periodic — there is an immediate pseudo re-start of the thread using the periodic start time algorithm
- (d) Effect on realtime thread if waiting for next release event (but there is an outstanding descheduled)
  - i. there is an immediate “schedule” of the thread
  - ii. From Periodic to Aperiodic — when the next periodic release event occurs, the thread becomes aperiodic with an immediate release
  - iii. From Aperiodic to Periodic — there is an immediate pseudo re-start of the thread using the periodic start time algorithm

**6.3.2.5.1 Pseudo-Code for Periodic and Aperiodic Thread Actions** The semantics of the previous section can be more clearly understood by viewing them in pseudo-code form for each of the methods and actions involved. In the following no mechanism for blocking and unblocking a thread is prescribed. The use of the wait and notify terminology in places is purely an aid to expressing the desired semantics in familiar terms.

---

```

1 // These values are part of thread state.
2 boolean descheduled = false;
3 int pendingReleases = 0;
4 boolean lastReturn = true;
5 int missCount = 0;
6 int currentRP;
7 int newRP;
```

```

8 int periodic = 1;
9 int aperiodic = 2;
10 int sporadic = 3;
11 boolean RPchange = false;
12 boolean started = false; // set to true on first release;
13
14 changeReleaseParameters(int newP)
15 {
16     newRP = newP;
17
18     descheduled = false; // automatic re-schedule
19     if (blocked-for-release-event)
20     {
21         if (currentRP == periodic)
22         {
23             // defer until next release
24             RPChange = true;
25         }
26     else
27     {
28         // immediate change; current is aperiodic or sporadic
29         performParameterChanges();
30         assert pendingReleases = 0
31         assert missCount = 0;
32         started = false; // flush arrival queue
33         costMonitoringReset();
34         currentRP = newRP;
35         if (newRP == periodic)
36         {
37             // consider this as the equivalent of call the
38             // start method of the RT thread.
39             // If start time has passed, generate a
40             // an "onNextPeriodDue" event.
41             // Otherwise, arrange for the event to be
42             // generate at the appropriate time
43         }
44     else
45     {
46         // aperiodic or sporadic
47         // generate a releaseArrivalEvent
48     }
49 }
50 }
51 else
52 {
53     // not at end of release, defer change
54     RPChange = true;
55 }
56 }

```

```
57
58 schedulePeriodic()
59 {
60     descheduled = false;
61     if (blocked-for-release-event)
62     {
63         pendingReleases = 0; // flush arrival time queue
64         costMonitoringReset();
65     }
66 }
67
68 deschedulePeriodic()
69 {
70     if (!RPChange started)
71     {
72         // no deschedule if outstanding RPchange
73         // or not started
74         descheduled = true;
75     }
76 }
77
78 schedule()
79 {
80     descheduled = false;
81     if (blocked-for-release-event)
82     {
83         pendingReleases = 0; // flush arrival time queue
84         costMonitoringReset();
85     }
86 }
87
88 deschedule()
89 {
90     if (!RPChange started)
91     {
92         // no deschedule if outstanding RPchange
93         // or not started
94         descheduled = true;
95     }
96 }
97
98 onAperiodicReleaseArrival()
99 {
100     if (!started) started = true;
101     if (currentRP == periodic) throw IllegalThreadStateException;
102     if (descheduled)
103     {
104         ; // do nothing
105     }
```

```

106  else
107  {
108      perform\_any\_execution\_regulation
109      // For a sporadic thread, the onReleaseDue event
110      // will be generated when MIT concerns have been satisfied
111      // For an aperiodic thread, this will
112      // immediately generate an onReleaseDue event.
113  }
114 }
115
116 onAperiodicReleaseDue()
117 {
118     if (currentRP == periodic) throw panic;
119     if (blocked-for-release-event)
120     {
121         if (descheduled)
122         {
123             ; // do nothing
124         }
125         else
126         {
127             pendingReleases++;
128             notifyCostMonitoringOfReleaseEvent()
129             notify it; // make eligible for execution
130         }
131     }
132     else
133     {
134         pendingReleases++;
135         notifyCostMonitoringOfReleaseEvent();
136     }
137 }
138
139 onNextPeriodeDue()
140 {
141     // also called on first release
142     if (!started) started = true;
143     if (currentRP != periodic) panic;
144     if (blocked-for-release-event)
145     {
146         if (descheduled)
147         {
148             ; // do nothing
149         }
150         else
151         {
152             pendingReleases++;
153             notifyCostMonitoringOfReleaseEvent();
154             notify it; // make eligible for execution

```

```
155     }
156   }
157   else
158   {
159     pendingReleases++;
160     notifyCostMonitoringOfReleaseEvent();
161   }
162 }
163
164 onDeadlineMiss()
165 {
166   if (there is a miss handler)
167   {
168     descheduled = true;
169     release miss handler with fireCount increased by missCount+1
170     missCount = 0;
171   }
172   else
173   {
174     missCount++;
175   }
176 }
177
178 waitForNextRelease()
179 {
180   assert(pendingReleases \& = 0);
181   if (missCount > 0 )
182   {
183     // Missed a deadline without a miss handler
184     missCount--;
185     if (lastReturn == false)
186     {
187       // Changes on completion take place here
188       performParameterChanges()
189       notifyCostMonitoringOfCompletion();
190       if (RPchange)
191       {
192         RPChangeNow();
193         return true;
194       }
195       else
196       {
197         pendingReleases--;
198       }
199     }
200     lastReturn = false;
201     return false;
202   }
203   else
```

```

204 {
205     // Changes on completion take place here
206     performParameterChanges();
207     notifyCostMonitoringOfCompletion();
208     if (RPchange)
209     {
210         RPChangeNow();
211         return True;
212     }
213     wait while (descheduled || pendingReleases == 0);
214     // blocked-for-release-event
215     // check again for RP change
216     if (RPchange)
217     {
218         RPChangeNow();
219     }
220     pendingReleases--;
221     lastReturn = true;
222     return true;
223 }
224 }
225
226 waitForNextPeriod
227 {
228     assert(pendingReleases >= 0);
229     if (missCount > 0 )
230     {
231         // Missed a deadline without a miss handler
232         missCount--;
233         if (lastReturn == false)
234         {
235             // Changes "on completion" take place here
236             performParameterChanges();
237             pendingReleases--;
238             notifyCostMonitoringOfCompletion();
239         }
240         lastReturn = false;
241         return false;
242     }
243     else
244     {
245         // Changes "on completion" take place here
246         performParameterChanges();
247         notifyCostMonitoringOfCompletion();
248         if (RPchange)
249         {
250             RPChangeNow();
251             return True;
252         }

```



```

253     wait while (descheduled || pendingReleases == 0);
254     // blocked-for-release-event
255     pendingReleases--;
256     lastReturn = true;
257     return true;
258 }
259 }
260
261
262 changeRPNow()
263 {
264     // Changing over RP
265     // Assuming clean slate!
266     RPchange = false;
267     pendingReleases = 0;
268     flushArrivalQueue();
269     // this removes all outstanding releases
270     missCount = 0;
271     // restart here
272     if (newRP == periodic)
273     {
274         // consider this as the equivalent of call the
275         // start method of the RT thread
276         if !start time has passed
277         {
278             // arrange for timing event to be generated
279             started = false;
280             currentRP = newRP;
281             wait while (pendingReleases == 0);
282             // blocked-for-release-event
283         }
284     }
285     else
286     {
287         // aperiodic or sporadic
288         // record a releaseArrivalEvent
289     }
290     started = true;
291     currentRP = newRP;
292     lastReturn = true;
293 }

```

---

### 6.3.2.6 Aperiodic Release Control

Aperiodic schedulables are released in response to events occurring, such as the starting of a realtime thread, the calling of the `release` method of a realtime thread, or the firing of an associated asynchronous event for an asynchronous event handler.

The occurrence of these events, each of which is a potential release event, is termed an *arrival*, and the time that they occur is termed the *arrival time*.

The base scheduler behaves effectively as if it maintained a queue, called the arrival time queue, for each aperiodic schedulable object. This queue maintains information related to each release event (including any parameters passed with the release mechanism) from its “arrival” time until the associated release completes, or another release event occurs — whichever is later. If an arrival is accepted into the arrival time queue, then it is a release event and the time of the release event is the arrival time. The initial size of this queue is an attribute of the schedulable’s aperiodic parameters, and is set when an aperiodic parameter object is first associated with the SO. Over time the queue may become full and its behavior in this situation is determined by the queue overflow policy specified in the SO’s aperiodic parameters. There are four overflow policies defined:

Policy	Action on Overflow
IGNORE	Silently ignore the arrival. The arrival is not accepted, no release event occurs, and, if the arrival was caused programmatically (such as by invoking <code>fire</code> on an asynchronous event), the caller is not informed that the arrival has been ignored.
EXCEPT	Throw an <code>ArrivalTimeQueueOverflowException</code> . The arrival is not accepted, and no release event occurs, but if the arrival was caused programmatically, the caller will have <code>ArrivalTimeQueueOverflowException</code> thrown.
REPLACE	The arrival is not accepted and no release event occurs. If the completion associated with the last release event in the queue has not yet occurred, and the deadline has not been missed, then the release event time for that release event is replaced with the arrival time of the new arrival and any associated parameters overwritten. This will alter the deadline for that release event. If the completion associated with the last release event has occurred, or the deadline has already been missed, then the behavior of the <code>REPLACE</code> policy is equivalent to the <code>IGNORE</code> policy.
SAVE	Behave effectively as if the queue were expanded as necessary to accommodate the new arrival. The arrival is accepted and a release event occurs.

**Open issue:** We did consider adding `ReplaceOldest`—see SI-105 **End of open issue**

Under the `SAVE` policy the queue can grow and shrink over time.

Changes to the queue overflow policy take effect immediately. When an arrival

occurs and the queue is full, the policy applied is the policy as defined at that time.

### 6.3.2.7 Sporadic Release Control

Sporadic parameters include a minimum interarrival time, MIT, that characterizes the expected frequency of releases. When an arrival is accepted implementation behaves as if it calculates the earliest time at which the next arrival could be accepted, by adding the current MIT to the arrival time of this accepted arrival. The scheduler guarantees that each sporadic schedulable it manages, is released at most once in any MIT. It implements two mechanisms for enforcing this rule:

1. *Arrival-time regulation* controls the work-load by considering the time between arrivals. If a new arrival occurs earlier than the expected next arrival time then a MIT violation has occurred, and the scheduler acts to prevent a release from occurring that would break the “one release per MIT” guarantee. Three arrival-time MIT-violation policies are supported:

Policy	Action on Violation
IGNORE	Silently ignore the violating arrival. The arrival is not accepted, no release event occurs, and, if the arrival was caused programmatically (such as by invoking <code>fire</code> on an asynchronous event), the caller is not informed that the arrival has been ignored.
EXCEPT	Throw a <code>MITViolationException</code> . The arrival is not accepted, and no release event occurs, but if the arrival was caused programmatically, the caller will have <code>MITViolationException</code> thrown.
REPLACE	The arrival is not accepted and no release event occurs. If the completion associated with the last release event in the queue has not yet occurred, and the deadline has not been missed, then the release event time for that release event is replaced with the arrival time of the new arrival and any associated parameters overwritten. This will alter the deadline for that release event. If the completion associated with the last release event has occurred, or the deadline has already been missed, then the behavior of the REPLACE policy is equivalent to the IGNORE policy.

2. *Execution-time regulation* occurs if the MIT violation policy SAVE is in effect. Under this policy all arrivals are accepted, but the scheduler behaves effectively as if released schedulable objects were further constrained by a scheduling policy that restricts execution to at most one release per MIT. This policy is only able to delay the effective release of a schedulable. The deadline of each release event is always set relative to its arrival time. This policy may not

schedule the effective release of an async event handler until after its deadline has passed. In this case the deadline miss handler is released at the deadline time even though the related async event has not yet reached its effective release.

The SAVE policy makes no direct use of the next expected arrival time, but it maintains the value in case the MIT violation policy is changed from SAVE to one of the arrival-time regulation policies.

The *effective release time* of a release event  $i$  is the earliest time that the handler can be released in response to that release event. It is determined for each release event based on the MIT policy in force at the release event time:

1. For IGNORE, EXCEPT and REPLACE the effective release time is the release event time.
2. For SAVE the effective release time of release event  $i$  is the effective release time of release event  $i-1$  plus the current value of the MIT.

The scheduler will delay the release associated with the release event at the head of the arrival time queue until the current time is greater than or equal to the effective release time of that release event.

Changes to minimum interarrival time and the MIT violation policy take effect immediately, but only affect the next expected arrival time, and effective release time, for release events that occur after the change.

### 6.3.2.8 Release Control for Asynchronous Event Handlers

Asynchronous event handlers can be associated with one or more asynchronous events. When an asynchronous event is fired, all handlers associated with it are released, according to the semantics below:

1. Each firing of an associated asynchronous event is an arrival. If the handler has release parameters of type `AperiodicParameters`, then the arrival may become a release event for the handler, according to the semantics given in “Aperiodic Release Control” above. If the handler has release parameters of type `SporadicParameters`, then the arrival may become a release event for the handler, according to the semantics given in “Sporadic Release Control” above. If the handler has release parameters of a type other than `SporadicParameters` then the arrival is a release event, and the arrival-time is the release event time.
2. For each release event that occurs for a handler, an entry is made in the arrival-time queue and the handler’s `fireCount` is incremented by one.
3. Initially a handler is considered to be blocked-for-release-event and its `fireCount` is zero.
4. Releases of a handler are serialized by having its `handleAsyncEvent` method invoked repeatedly while its `fireCount` is greater than zero:

- (a) Before invoking `handleAsyncEvent`, the `fireCount` is decremented and the front entry (if still present) removed from the arrival-time queue.
  - (b) Each invocation of `handleAsyncEvent`, in this way, is a release.
  - (c) The return from `handleAsyncEvent` is the completion of a release.
  - (d) Processing of any exceptions thrown by `handleAsyncEvent` occurs prior to completion.
5. The deadline for a release is relative to the release event time and determined at the release event time according to the value of the deadline contained in the handler's release parameters. This value does not change, except as described previously for handlers using a REPLACE policy for MIT violation or arrival-time queue overflow.
  6. The application code can directly modify the `fireCount` as follows:
    - (a) The `getAndDecrementPendingFireCount` method decreases the `fireCount` by one (if it was greater than zero), and returns the old value. This removes the front entry from the arrival-time queue but otherwise has no effect on the scheduling of the current schedulable, nor the handler itself. Any data parameter passed with the associated fire request is lost.
    - (b) The `getAndClearPendingFireCount` method is functionally equivalent to invoking `getAndDecrementPendingFireCount` until it returns zero, and returning the original `fireCount` value. Any data parameters passed with the associated fire requests are lost.
  7. The scheduler may delay the invocation of `handleAsyncEvent` to ensure the effective release time honors any restrictions imposed by the MIT violation policy, if applicable, of that release event.
  8. Cost monitoring and enforcement for an asynchronous event handler interacts with release events and completions as previously defined with the added requirement that at the completion of `handleAsyncEvent`, if the `fireCount` is now zero, then the cost monitoring and enforcement system is told to reset for this handler.

### 6.3.2.9 Processing Groups

A processing group is defined by a processing group parameters object, and each SO that is bound to that parameter object is called a *member* of that processing group. A processing group has an associated affinity that contains only one processor.

Processing groups are only functional in a system that implements processing group enforcement. Although the processing group itself does not consume CPU time, it acts as a proxy for its members.

**6.3.2.9.1 Definitions for Processing Groups** The *enforced priority* of a schedulable is a priority with no execution eligibility.

### 6.3.2.9.2 Semantics for Processing Groups

1. The deadline of a processing group is defined by the value returned by invoking the `getDeadline` method of the processing group parameters object.
2. A deadline miss for the processing group is triggered if any member of the processing group consumes CPU time at a time greater than the deadline for the most recent release of the processing group.
3. When a processing group misses a deadline:
  - (a) If the processing group has a miss handler, it is released for execution
  - (b) If the processing group has no miss handler, no action is taken.
4. The cost of a processing group is defined by the value returned by invoking the `getCost` method of the processing group parameters object.
5. When a processing group is initially released, its current CPU consumption is zero and as the members of the processing group execute, the current CPU consumption increases. The current CPU consumption is set to zero in response to certain actions as described below.
6. If at any time, due to either execution of the members of the processing group or a change in the parameter group's cost, the current CPU consumption becomes greater than, or equal to, the current cost of the processing group, then a cost overrun is triggered. The implementation is required to document the granularity at which the current CPU consumption is updated.
7. When a cost overrun is triggered, the cost overrun handler associated with the processing group, if any, is released, and the processing group enters the **enforced state**. For each member of the processing group:
  - (a) The SO is placed into the enforced state.
  - (b) When a SO is in the enforced state the base scheduler schedules that SO effectively as if the enforced priority were used in place of the SO's base priority.
8. When the release event occurs for a processing group, the action taken depends on the state of the processing group:
  - (a) If the processing group is not in the enforced state then the current CPU consumption for the group is set to zero;
  - (b) Otherwise the processing group is in the enforced state. It is removed from the enforced state, the current CPU consumption of the group is set to zero, and each member of the group is removed from the enforced state.
9. Changes to the cost parameter take effect immediately:
  - (a) If the new cost is less than or equal to the current CPU consumption, and the old cost was greater than the current CPU consumption, then a cost overrun is triggered.
  - (b) If the new cost is greater than the current CPU consumption:
    - i. If the processing group is enforced, then the processing group behaves

as defined in semantic 8.

- ii. Otherwise, no cost monitoring and enforcement action occurs.
10. Changes to other parameters take place as follows:
    - (a) Start: can only be changed before the parameters group is started; i.e., before the start time or before the parameter object is associated with any SO. Changes take effect immediately.
    - (b) Period: at each release the next period is set based on the current value of the processing group's period.
    - (c) Deadline: at each release the next deadline is set based on the current value of the processing group's deadline.
    - (d) OverrunHandler: at each release the overrunHandler is set based on the current value of the processing group's overrunHandler.
    - (e) MissHandler: at each release the missHandler is set based on the current value of the processing group's missHandler.
  11. Changes to the membership of the processing group take effect immediately.
  12. The start time for the processing group may be relative or absolute.
    - (a) If the start time is absolute, the processing group behaves effectively as if the initial release time were the start time.
    - (b) If the start time is relative, the initial release time is computed relative to the time `start` or `fire` (as appropriate) is first called for a member of the processing group.

Note: Until a processing group starts, its budget cannot be replenished, but its members will be enforced if they exceed the initial budget. Also, once a processing group is started it behaves effectively as if it continued running continuously until the defining `ProcessingGroupParameters` object is freed.

## 6.4 Package javax.realtime

### 6.4.1 Interfaces

#### 6.4.1.1 BoundSchedulable

---

##### *Interfaces*

###### [Schedulable](#)

An empty interface to provide a type safe reference to all schedulables that are bound to a single underlying thread. A [RealtimeThread](#)<sup>1</sup> is by definition bound.

#### 6.4.1.2 Schedulable

---

##### *Interfaces*

###### Runnable

###### [Timable](#)

Handlers and other objects can be run by a [Scheduler](#)<sup>2</sup> if they provide a `run()` method and the methods defined below. The [Scheduler](#)<sup>3</sup> uses this information to create a suitable context to execute the `run()` method.

#### 6.4.1.2.1 Methods

---

## getMemoryParameters

##### *Signature*

```
public  
    javax.realtime.MemoryParameters getMemoryParameters()
```

##### *Returns*

A reference to the current [MemoryParameters](#)<sup>4</sup> object.  
Gets a reference to the [MemoryParameters](#)<sup>5</sup> object for this schedulable.

---

<sup>1</sup>Section [5.3.2.2](#)

<sup>2</sup>Section [6.4.2.9](#)

<sup>3</sup>Section [6.4.2.9](#)

<sup>4</sup>Section [11.4.3.8](#)

<sup>5</sup>Section [11.4.3.8](#)



## getProcessingGroupParameters

### Signature

```
public
  javax.realtime.ProcessingGroupParameters
  getProcessingGroupParameters()
```

### Returns

A reference to the current [ProcessingGroupParameters](#)<sup>6</sup> object.  
Gets a reference to the [ProcessingGroupParameters](#)<sup>7</sup> object for this schedulable.

## getConfigurationParameters

### Signature

```
public
  javax.realtime.ConfigurationParameters
  getConfigurationParameters()
```

### Returns

A reference to the associated [ConfigurationParameters](#)<sup>8</sup> object.  
Gets a reference to the [ConfigurationParameters](#)<sup>9</sup> object for this schedulable.

Available since RTSJ version RTSJ 2.0

## getReleaseParameters

### Signature

```
public
  javax.realtime.ReleaseParameters getReleaseParameters()
```

### Returns

A reference to the current [ReleaseParameters](#)<sup>10</sup> object.  
Gets a reference to the [ReleaseParameters](#)<sup>11</sup> object for this schedulable.

## getScheduler

### Signature

---

<sup>6</sup>Section [6.4.2.7](#)  
<sup>7</sup>Section [6.4.2.7](#)  
<sup>8</sup>Section [5.3.2.1](#)  
<sup>9</sup>Section [5.3.2.1](#)  
<sup>10</sup>Section [6.4.2.8](#)  
<sup>11</sup>Section [6.4.2.8](#)

```
public
    javax.realtime.Scheduler getScheduler()
```

*Returns*

A reference to the associated [Scheduler](#)<sup>12</sup> object.

Gets a reference to the [Scheduler](#)<sup>13</sup> object for this schedulable.

## getSchedulingParameters

*Signature*

```
public
    javax.realtime.SchedulingParameters getSchedulingParameters()
```

*Returns*

A reference to the current [SchedulingParameters](#)<sup>14</sup> object.

Gets a reference to the [SchedulingParameters](#)<sup>15</sup> object for this schedulable.

## setMemoryParameters(MemoryParameters)

*Signature*

```
public
    void setMemoryParameters(MemoryParameters memory)
```

*Parameters*

*memory* A [MemoryParameters](#)<sup>16</sup> object which will become the memory parameters associated with `this` after the method call. If `null`, the default value is governed by the associated scheduler (a new object is created if the default value is not `null`). (See [PriorityScheduler](#)<sup>17</sup>.)

*Throws*

*IllegalArgumentException* when `memory` is not compatible with the schedulable's scheduler. Also when this schedulable is no-heap and `memory` is located in heap memory.

*IllegalAssignmentError* when the schedulable cannot hold a reference to `memory`, or if `memory` cannot hold a reference to this schedulable instance.

*IllegalThreadStateException* when the schedulable's scheduler prohibits this parameter change at this time due to the state of the schedulable.

Sets the memory parameters associated with this instance of `Schedulable`.

---

<sup>12</sup>Section [6.4.2.9](#)

<sup>13</sup>Section [6.4.2.9](#)

<sup>14</sup>Section [6.4.2.10](#)

<sup>15</sup>Section [6.4.2.10](#)

<sup>16</sup>Section [11.4.3.8](#)

<sup>17</sup>Section [6.4.2.6](#)

This change becomes effective under conditions determined by the scheduler controlling the schedulable. For instance, the change may be immediate or it may be delayed until the next release of the schedulable object. See the documentation for the scheduler for details.

Since this affects the constraints expressed in the memory parameters of the existing schedulables, this may change the feasibility of the current system.

## setProcessingGroupParameters(ProcessingGroupParameters)

### Signature

```
public
void setProcessingGroupParameters(ProcessingGroupParameters
group)
```

### Parameters

*group* A [ProcessingGroupParameters](#)<sup>18</sup> object which will take effect as determined by the associated scheduler. If `null`, the default value is governed by the associated scheduler (a new object is created if the default value is not `null`). (See [PriorityScheduler](#)<sup>19</sup>.)

### Throws

*IllegalArgumentException* Thrown when *group* is not compatible with the scheduler for this schedulable object. Also when this schedulable is no-heap and *group* is located in heap memory.

*IllegalAssignmentError* when `this` object cannot hold a reference to *group* or *group* cannot hold a reference to `this`.

*IllegalThreadStateException* when the schedulable's scheduler prohibits the changing of the processing group parameter at this time due to the state of the schedulable object.

Sets the [ProcessingGroupParameters](#)<sup>20</sup> of `this`.

This change becomes effective under conditions determined by the scheduler controlling the schedulable. For instance, the change may be immediate or it may be delayed until the next release of the schedulable. See the documentation for the scheduler for details.

Since this affects the constraints expressed in the processing group parameters of the existing schedulables, this may change the feasibility of the current system.

---

<sup>18</sup>Section [6.4.2.7](#)

<sup>19</sup>Section [6.4.2.6](#)

<sup>20</sup>Section [6.4.2.7](#)

## setReleaseParameters(ReleaseParameters)

### Signature

```
public
void setReleaseParameters(ReleaseParameters release)
```

### Parameters

*release* A [ReleaseParameters](#)<sup>21</sup> object which will become the release parameters associated with this after the method call, and take effect as determined by the associated scheduler. If `null`, the default value is governed by the associated scheduler (a new object is created if the default value is not `null`). (See [PriorityScheduler](#)<sup>22</sup>.)

### Throws

*IllegalArgumentException* Thrown when `release` is not compatible with the associated scheduler. Also when this schedulable is no-heap and `release` is located in heap memory.

*IllegalAssignmentError* when `this` object cannot hold a reference to `release` or `release` cannot hold a reference to `this`.

*IllegalThreadStateException* when the schedulable's scheduler prohibits the changing of the release parameter at this time due to the state of the schedulable.

Sets the release parameters associated with this instance of `Schedulable`.

Since this affects the constraints expressed in the release parameters of the existing schedulable objects, this may change the feasibility of the current system.

This change becomes effective under conditions determined by the scheduler controlling the schedulable. For instance, the change may be immediate or it may be delayed until the next release of the schedulable. The different properties of the release parameters may take effect at different times. See the documentation for the scheduler for details.

## setScheduler(Scheduler)

### Signature

```
public
void setScheduler(Scheduler scheduler)
```

### Parameters

*scheduler* A reference to the scheduler that will manage execution of this schedulable. `Null` is not a permissible value.

### Throws

---

<sup>21</sup>Section [6.4.2.8](#)

<sup>22</sup>Section [6.4.2.6](#)

*IllegalArgumentException* Thrown when `scheduler` is `null`, or the schedulable's existing parameter values are not compatible with `scheduler`. Also when this schedulable is no-heap and `scheduler` is located in heap memory.

*IllegalAssignmentError* when the schedulable cannot hold a reference to `scheduler`.

*SecurityException* when the caller is not permitted to set the scheduler for this schedulable.

*IllegalThreadStateException* when `scheduler` refuses to accept this schedulable at this time due to the state of the schedulable.

Sets the reference to the Scheduler object. The timing of the change must be agreed between the scheduler currently associated with this schedulable, and `scheduler`.

## **setScheduler(Scheduler, SchedulingParameters, ReleaseParameters, MemoryParameters, ProcessingGroupParameters)**

### *Signature*

```
public
void setScheduler(Scheduler scheduler, SchedulingParameters
scheduling, ReleaseParameters release, MemoryParameters
memoryParameters, ProcessingGroupParameters group)
```

### *Parameters*

*scheduler* A reference to the scheduler that will manage the execution of this schedulable. `Null` is not a permissible value.

*scheduling* A reference to the [SchedulingParameters](#)<sup>23</sup> which will be associated with `this`. If `null`, the default value is governed by `scheduler` (a new object is created if the default value is not `null`). (See [PriorityScheduler](#)<sup>24</sup>.)

*release* A reference to the [ReleaseParameters](#)<sup>25</sup> which will be associated with `this`. If `null`, the default value is governed by `scheduler` (a new object is created if the default value is not `null`). (See [PriorityScheduler](#)<sup>26</sup>.)

*memoryParameters* A reference to the [MemoryParameters](#)<sup>27</sup> which will be associated with `this`. If `null`, the default value is governed by `scheduler` (a new object is created if the default value is not `null`). (See [PriorityScheduler](#)<sup>28</sup>.)

---

<sup>23</sup>Section [6.4.2.10](#)

<sup>24</sup>Section [6.4.2.6](#)

<sup>25</sup>Section [6.4.2.8](#)

<sup>26</sup>Section [6.4.2.6](#)

<sup>27</sup>Section [11.4.3.8](#)

<sup>28</sup>Section [6.4.2.6](#)

*group* A reference to the [ProcessingGroupParameters](#)<sup>29</sup> which will be associated with `this`. \* If `null`, the default value is governed by `scheduler` (a new object is created). (See [PriorityScheduler](#)<sup>30</sup>.)

*Throws*

*IllegalArgumentException* Thrown when `scheduler` is `null` or the parameter values are not compatible with `scheduler`. Also thrown when this schedulable is no-heap and `scheduler`, `scheduling release`, `memoryParameters`, or `group` is located in heap memory.

*IllegalAssignmentError* when `this` object cannot hold references to all the parameter objects or the parameters cannot hold references to `this`.

*IllegalThreadStateException* when `scheduler` prohibits the changing of the scheduler or a parameter at this time due to the state of the schedulable.

*SecurityException* when the caller is not permitted to set the scheduler for this schedulable.

Sets the scheduler and associated parameter objects. The timing of the change must be agreed between the scheduler currently associated with this schedulable, and `scheduler`.

## setSchedulingParameters(SchedulingParameters)

*Signature*

```
public
void setSchedulingParameters(SchedulingParameters scheduling)
```

*Parameters*

*scheduling* A reference to the [SchedulingParameters](#)<sup>31</sup> object. If `null`, the default value is governed by the associated scheduler (a new object is created if the default value is not `null`). (See [PriorityScheduler](#)<sup>32</sup>.)

*Throws*

*IllegalArgumentException* Thrown when `scheduling` is not compatible with the associated scheduler. Also when this schedulable is no-heap and `scheduling` is located in heap memory.

*IllegalAssignmentError* when `this` object cannot hold a reference to `scheduling` or `scheduling` cannot hold a reference to `this`.

*IllegalThreadStateException* when the schedulable's scheduler prohibits the changing of the scheduling parameter at this time due to the state of the schedulable object.

---

<sup>29</sup>Section [6.4.2.7](#)

<sup>30</sup>Section [6.4.2.6](#)

<sup>31</sup>Section [6.4.2.10](#)

<sup>32</sup>Section [6.4.2.6](#)

Sets the scheduling parameters associated with this instance of `Schedulable`.

Since this affects the scheduling parameters of the existing schedulables, this may change the feasibility of the current system.

This change becomes effective under conditions determined by the scheduler controlling the schedulable. For instance, the change may be immediate or it may be delayed until the next release of the schedulable. See the documentation for the scheduler for details.

### `getMinConsumption(RelativeTime)`

*Signature*

```
public
    javax.realtime.RelativeTime getMinConsumption(RelativeTime dest)
```

*Returns*

The minimum CPU consumption for this schedulable in any single release. If this method is called on the current schedulable, the CPU consumption of the current release is not considered. If `dest` is `null`, return the minimum consumption in a `RelativeTime`<sup>33</sup> instance from the current allocation context. If `dest` is not `null`, return the minimum consumption in `dest`

Available since RTSJ version RTSJ 2.0

### `getMinConsumption`

*Signature*

```
public
    javax.realtime.RelativeTime getMinConsumption()
```

Equivalent to `getMinConsumption(null)`.

Available since RTSJ version RTSJ 2.0

### `getMaxConsumption(RelativeTime)`

*Signature*

```
public
    javax.realtime.RelativeTime getMaxConsumption(RelativeTime dest)
```

*Returns*

---

<sup>33</sup>Section 9.4.1.3

The maximum CPU consumption for this schedulable in any single release. If this method is called on the current schedulable, the CPU consumption of the current release is not considered. If `dest` is `null`, return the maximum consumption in a `RelativeTime`<sup>34</sup> instance from the current allocation context. If `dest` is not `null`, return the maximum consumption in `dest`

Available since RTSJ version RTSJ 2.0

## getMaxConsumption

*Signature*

```
public
    javax.realtime.RelativeTime getMaxConsumption()
```

Equivalent to `getMaxConsumption(null)`.

Available since RTSJ version RTSJ 2.0

## wakeup

*Signature*

```
public
    void wakeup()
```

*Throws*

*IllegalStateException* when called from user code.

Provides a means for a `Clock`<sup>35</sup> to end a sleep.

Available since RTSJ version RTSJ 2.0

## 6.4.2 Classes

### 6.4.2.1 Affinity

---

#### Inheritance

java.lang.Object

---

<sup>34</sup>Section 9.4.1.3

<sup>35</sup>Section 10.4.2.2



### `javax.realtime.Affinity`

This class is the API for all processor-affinity-related aspects of the RTSJ. It includes a factory that generates `Affinity` objects, and methods that control the default affinity sets used when affinity set inheritance does not apply.

An affinity set is a set of processors that can be associated with a `Thread` (including realtime threads), async event handler or processing group parameters instance. For instances of `Thread` and async event handlers, the associated affinity set binds the `Thread` or async event handler to the set of processors.

Each implementation supports an array of predefined affinity sets. They can be used either to reflect the scheduling arrangement of the underlying OS or they can be used by the system designer to impose defaults for, say, Java threads, non-heap realtime schedulables etc. A program is only allowed to dynamically create new affinity sets with cardinality of one. This restriction reflects the concern that not all operating systems will support multiprocessor affinity sets.

The processor membership of an affinity set is immutable. The Java thread, schedulable, and `ProcessingGroupParameters`<sup>36</sup> associations of an affinity set are mutable. The processor affinity of instances of `Thread` and bound async event handlers can be changed by static methods in this class. The processor affinity of un-bound asnc event handlers is fixed to a default value, as returned by the `getHeapDefault()`<sup>37</sup> and `getNoHeapDefault()`<sup>38</sup> methods.

The internal representation of a set of processors in an `Affinity` instance is not specified, but the representation that is used to communicate with this class is a `BitSet` where each bit corresponds to a logical processor ID. The relationship between logical and physical processors is beyond the scope of this specification, and may change.

The affinity set factory only generates usable `Affinity` instances; i.e., affinity sets that (at least when they are created) can be used with `set(Affinity, BoundAsyncEventHandler)`<sup>39</sup>, `set(Affinity, Thread)`<sup>40</sup>, and `set(Affinity, ProcessingGroupParameters)`<sup>41</sup>. The factory cannot create an affinity set with more than one processor member, but such affinity sets are supported. They may be internally created by the RTSJ runtime, probably at startup time.

The set of affinity sets created at startup (the predefined set) is visible through the `getPredefinedAffinities(Affinity[])`<sup>42</sup> method.

---

<sup>36</sup>Section 6.4.2.7

<sup>37</sup>Section 6.4.2.1.2

<sup>38</sup>Section 6.4.2.1.2

<sup>39</sup>Section 6.4.2.1.2

<sup>40</sup>Section 6.4.2.1.2

<sup>41</sup>Section 6.4.2.1.2

<sup>42</sup>Section 6.4.2.1.2

The affinity set factory may be used to create affinity sets with a single processor member at any time, though this operation only supports processor members that are valid as the processor affinity for a thread (at the time of the affinity set's creation.)

External changes to the set of processors available to the RTSJ runtime is likely to cause serious trouble ranging from violation of assumptions underlying schedulability analysis to freezing the entire RTSJ runtime, so if a system is capable of such manipulation it should not exercise it on RTSJ processes.

Real-time threads and bound async event handlers that have processing group parameters are members of that processing group, and their processor affinity is governed by the intersection of the processing group's affinity and the schedulable's affinity. The affinity set of a processing group must have exactly one processor. The intersection of a non-default PG affinity set with the schedulable's affinity set must contain at most one entry. If the intersection is empty, the affinity defaults.

Ordinarily, an execution context inherits its creator's affinity set, but:

- Java threads do not inherit affinity from SOs
- Unbound async event handlers cannot be assigned a non-default affinity.
- SOs do not inherit affinity from Java threads.

When an execution context does not inherit its creator's affinity set, its initial affinity set defaults as specified in this class:

- The default used when a heap-using SO does not inherit its creator's affinity set, and for all unbound heap-using async event handlers.
- The default used when a no-heap SO does not inherit its creator's affinity set, and for all unbound no-heap async event handlers.
- The default used for Java threads created by SOs.

This class also controls the default affinity used when a processing group is created. That value is the set of all available processors. (Which permits each member of the processing group to use the affinity set it would use if it were in no processing group.) The processor affinity of the processing group can subsequently be altered with the `{set(Affinity, ProcessingGroupParameters)}`<sup>43</sup> method.

There is no public constructor for this class. All instances must be created by the factory method (`generate`).

**Available since RTSJ version RTSJ 2.0**

#### 6.4.2.1.1 Constructors

---

<sup>43</sup>Section 6.4.2.1.2

## Affinity

### Signature

```
Affinity()
```

Package-protected default constructor.

### 6.4.2.1.2 Methods

---

## generate(BitSet)

### Signature

```
public static final
javax.realtime.Affinity generate(BitSet bitSet)
```

### Parameters

*bitSet* The `BitSet` associated with the generated `Affinity`.

### Throws

*NullPointerException* when `bitSet` is `null`.

*IllegalArgumentException* when `bitSet` does not refer to a valid set of processors, where “valid” is defined as the bitset from a pre-defined affinity set, or a bitset of cardinality one containing a processor from the set returned by `getAvailableProcessors()`. The definition of “valid set of processors” is system dependent; however, every set consisting of one valid processor makes up a valid bit set, and every bit set correspond to a pre-defined affinity set is valid.

### Returns

The resulting `Affinity`.

Returns an `Affinity` set with the affinity `BitSet` `bitSet` and no associations.

Platforms that support specific affinity sets will register those `Affinity` instances with `Affinity`<sup>44</sup>. They appear in the arrays returned by `getPredefinedAffinities()`<sup>45</sup> and `getPredefinedAffinities(Affinity[])`<sup>46</sup>.

---

<sup>44</sup>Section 6.4.2.1

<sup>45</sup>Section 6.4.2.1.2

<sup>46</sup>Section 6.4.2.1.2

## get(BoundSchedulable)

### Signature

```
public static final
    javax.realtime.Affinity get(BoundSchedulable schedulable)
```

### Parameters

*handler* a bound async event handler.

### Returns

The associated affinity set.

Return the affinity set instance associated with `handler`.

## get(Thread)

### Signature

```
public static final
    javax.realtime.Affinity get(Thread thread)
```

### Parameters

*thread* a Java thread, or one of its subclasses (including [RealtimeThread](#)<sup>47</sup>).

### Returns

The associated affinity set.

Return the affinity set instance associated with `thread`.

## get(ProcessingGroupParameters)

### Signature

```
public static final
    javax.realtime.Affinity get(ProcessingGroupParameters pgp)
```

### Parameters

*pgp* An instance of [ProcessingGroupParameters](#)<sup>48</sup>

### Returns

The associated affinity set.

Return the affinity set instance associated with `pgp`.

## get(ActiveEventDispatcher)

### Signature

```
public static final
    javax.realtime.Affinity get(ActiveEventDispatcher dispatcher)
```

---

<sup>47</sup>Section [5.3.2.2](#)

<sup>48</sup>Section [6.4.2.7](#)

*Parameters*

*dispatcher* An instance of [ActiveEventDispatcher](#)<sup>49</sup>

*Returns*

The associated affinity set.

Return the affinity set instance associated with *dispatcher*.

**getAvailableProcessors***Signature*

```
public static final
java.util.BitSet getAvailableProcessors()
```

*Returns*

the set of processors available to the program.

This method is equivalent to [getAvailableProcessors\(BitSet\)](#)<sup>50</sup> with a null argument.

**getAvailableProcessors(BitSet)***Signature*

```
public static final
java.util.BitSet getAvailableProcessors(BitSet dest)
```

*Parameters*

*dest* If *dest* is non-null, use *dest* as the returned value. If it is null, create a new `BitSet`.

*Returns*

A `BitSet` representing the set of processors currently valid for use in the *bitset* argument to [generate\(BitSet\)](#)<sup>51</sup>.

In systems where the set of processors available to a process is dynamic (e.g., because of system management operations or because of fault tolerance capabilities), the set of available processors shall reflect the processors that are allocated to the RTSJ runtime and are currently available to execute tasks.

**getHeapDefault***Signature*

```
public static final
javax.realtime.Affinity getHeapDefault()
```

---

<sup>49</sup>Section [8.4.3.3](#)

<sup>50</sup>Section [6.4.2.1.2](#)

<sup>51</sup>Section [6.4.2.1.2](#)

*Returns*

The current default processor affinity set for heap-using schedulables.  
Return the default processor affinity set for heap-using schedulables.

**getDefault***Signature*

```
public static final
    javax.realtime.Affinity getDefault()
```

*Returns*

The current default processor affinity set for Java threads.  
Return the default processor affinity for Java threads.

**getNoHeapDefault***Signature*

```
public static final
    javax.realtime.Affinity getNoHeapDefault()
```

*Returns*

The current default processor affinity set for non-heap mode schedulables.  
Return the default processor affinity for non-heap mode schedulable objects.

**getProcessingGroupDefault***Signature*

```
public static final
    javax.realtime.Affinity getProcessingGroupDefault()
```

*Returns*

The affinity set associated with SOs for which the intersection of their affinity and their [ProcessingGroupParameters](#)<sup>52</sup> affinity would be the empty set.  
Return the processor affinity set used for SOs where the intersection of their affinity set and their processing group parameters' affinity set yields the empty set.

**getPredefinedAffinitiesCount***Signature*

```
public static final
    int getPredefinedAffinitiesCount()
```

*Returns*


---

<sup>52</sup>Section [6.4.2.7](#)

The minimum array size required to store references to all the predefined affinity sets.

Return the minimum array size required to store references to all the predefined processor affinity sets.

## **getPredefinedAffinities**

*Signature*

```
public static final
    javax.realtime.Affinity[] getPredefinedAffinities()
```

*Returns*

an array of the pre-defined affinity sets.

Equivalent to invoking `getPredefinedAffinitySets(null)`.

## **getPredefinedAffinities(javax.realtime.Affinity[])**

*Signature*

```
public static final
    javax.realtime.Affinity[]
    getPredefinedAffinities(javax.realtime.Affinity[] dest)
```

*Parameters*

*dest* The destination array, or `null`.

*Throws*

*IllegalArgumentException* when *dest* is not large enough.

*Returns*

*dest* or a newly created array if *dest* was `null`, populated with references to the pre-defined affinity sets.

If *dest* has excess entries, they are filled with `null`.

Return an array containing all affinity sets that were predefined by the Java runtime.

## **getProcessorAddedEvent**

*Signature*

```
static
    javax.realtime.AsyncEvent getProcessorAddedEvent()
```

*Returns*

The async event that will be fired when a processor is added to the set available to the JVM. Returns `null` if change notification is not supported, or if no async event has been designated.

Available since RTSJ version RTSJ 2.0

## getProcessorRemovedEvent

*Signature*

```
static  
javax.realtime.AsyncEvent getProcessorRemovedEvent()
```

*Returns*

The async event that will be fired when a processor is removed from the set available to the JVM. Returns null if change notification is not supported, or if no async event has been designated.

Available since RTSJ version RTSJ 2.0

## isAffinityChangeNotificationSupported

*Signature*

```
static final  
boolean isAffinityChangeNotificationSupported()
```

*Returns*

True if change notification is supported. (See `setProcessorAddedEvent(AsyncEvent)`<sup>53</sup> and `setProcessorRemovedEvent(AsyncEvent)`<sup>54</sup>.)

Available since RTSJ version RTSJ 2.0

## isSetAffinitySupported

*Signature*

```
public static final  
boolean isSetAffinitySupported()
```

*Returns*

true when the `set(Affinity, Thread)`<sup>55</sup> family of methods is supported. Determine if this family of methods is supported.

---

<sup>53</sup>Section 6.4.2.1.2

<sup>54</sup>Section 6.4.2.1.2

<sup>55</sup>Section 6.4.2.1.2



## setProcessorAddedEvent(AsyncEvent)

### Signature

```
static  
void setProcessorAddedEvent(AsyncEvent event)
```

### Parameters

*event* The async even to fire in case an added processor is detected, or `null` to cause no AE to be called in case an added processor is detected.

### Throws

*UnsupportedOperationException* when change notification is not supported.  
*IllegalArgumentException* when `event` is not in immortal memory.

Set the AsyncEvent that will be fired when a processor is added to the set available to the JVM.

## set(Affinity, BoundAsyncEventHandler)

### Signature

```
public static final  
void set(Affinity set, BoundAsyncEventHandler aeh)  
throws ProcessorAffinityException
```

### Parameters

*set* The processor affinity set  
*aeh* The bound async event handler

### Throws

*ProcessorAffinityException* Thrown when the runtime fails to set the affinity for platform-specific reasons.  
*NullPointerException* if `set` or `aeh` is `null`.

Set the processor affinity of a bound AEH to `set`.

## set(Affinity, Thread)

### Signature

```
public static final  
void set(Affinity set, Thread thread)  
throws ProcessorAffinityException
```

### Parameters

*set* The processor affinity set  
*thread* The thread or real-time thread.

### Throws

*ProcessorAffinityException* when the runtime fails to set the affinity for platform-specific reasons.

*NullPointerException* if `set` or thread is null.

Set the processor affinity of a Java thread or `RealtimeThread`<sup>56</sup> to `set`.

### **set(Affinity, ProcessingGroupParameters)**

*Signature*

```
public static final
void set(Affinity set, ProcessingGroupParameters pgp)
throws ProcessorAffinityException
```

*Parameters*

*set* The processor affinity set

*pgp* The processing group parameters instance.

*Throws*

*ProcessorAffinityException* when the runtime fails to set the affinity for platform-specific reasons or `pgp` contains more than one processor.

*NullPointerException* if `set` or `pgp` is null.

Set the processor affinity of `pgp` to `set`.

### **set(Affinity, ActiveEventDispatcher)**

*Signature*

```
public static final
void set(Affinity set, ActiveEventDispatcher dispatcher)
throws ProcessorAffinityException
```

*Parameters*

*set* The processor affinity set

*Throws*

*ProcessorAffinityException* when the runtime fails to set the affinity for platform-specific reasons or `dispatcher` contains more than one processor.

*NullPointerException* when `set` or `dispatcher` is null.

Set the processor affinity of `dispatcher` to `set`.

### **setProcessorRemovedEvent(AsyncEvent)**

*Signature*

```
static
void setProcessorRemovedEvent(AsyncEvent event)
```

*Parameters*

*event*

---

<sup>56</sup>Section 5.3.2.2

*Throws*

*UnsupportedOperationException* when change notification is not supported.

*IllegalArgumentException* when `event` is not `null` or in immortal memory.

Set the [AsyncEvent](#)<sup>57</sup> that will be fired when a processor is removed from the set available to the JVM.

## **getProcessors**

*Signature*

```
public final
java.util.BitSet getProcessors()
```

*Returns*

A newly created `BitSet` representing this `Affinity`.

Return a `BitSet` representing the processor affinity set for this `Affinity`.

## **getProcessors(BitSet)**

*Signature*

```
public final
java.util.BitSet getProcessors(BitSet dest)
```

*Parameters*

*dest* Set `dest` to the `BitSet` value. If `dest` is `null`, create a new `BitSet` in the current allocation context.

*Returns*

A `BitSet` representing the processor affinity set of this `Affinity`.

Return a `BitSet` representing the processor affinity set of this `Affinity`.

Available since RTSJ version RTSJ 2.0

## **isProcessorInSet(int)**

*Signature*

```
public final
boolean isProcessorInSet(int processorNumber)
```

*Parameters*

*processorNumber*

*Returns*

True if and only if `processorNumber` is represented in this affinity set.

---

<sup>57</sup>Section [8.4.3.4](#)

Ask whether a processor is included in this affinity set.

Available since RTSJ version RTSJ 2.0

## **applyTo(BoundAsyncEventHandler)**

*Signature*

```
public final
void applyTo(BoundAsyncEventHandler aeh)
throws ProcessorAffinityException
```

*Parameters*

*aeh* The bound async event handler

*Throws*

*ProcessorAffinityException* Thrown when the runtime fails to set the affinity for platform-specific reasons.

*NullPointerException* *aeh* is null.

Set the processor affinity of a bound AEH to **this**.

## **applyTo(Thread)**

*Signature*

```
public final
void applyTo(Thread thread)
throws ProcessorAffinityException
```

*Parameters*

*thread* The thread or real-time thread.

*Throws*

*ProcessorAffinityException* when the runtime fails to set the affinity for platform-specific reasons.

*NullPointerException* if *thread* is null.

Set the processor affinity of a Java thread or [RealtimeThread](#)<sup>58</sup> to **this**.

## **applyTo(ProcessingGroupParameters)**

*Signature*

```
public final
void applyTo(ProcessingGroupParameters pgp)
throws ProcessorAffinityException
```

---

<sup>58</sup>Section [5.3.2.2](#)

*Parameters*

*pgp* The processing group parameters instance.

*Throws*

*ProcessorAffinityException* when the runtime fails to set the affinity for platform-specific reasons or *pgp* contains more than one processor.

*NullPointerException* if *pgp* is null.

Set the processor affinity of *pgp* to this.

**applyTo(ActiveEventDispatcher)***Signature*

```
public final
void applyTo(ActiveEventDispatcher dispatcher)
throws ProcessorAffinityException
```

*Parameters*

*dispatcher* is the dispatcher instance.

*Throws*

*ProcessorAffinityException* when the runtime fails to set the affinity for platform-specific reasons.

*NullPointerException* when *dispatcher* is null.

Set the processor affinity of *dispatcher* to this.

**6.4.2.2 AperiodicParameters****Inheritance**

```
java.lang.Object
  javax.realtime.ReleaseParameters
  javax.realtime.AperiodicParameters
```

When a reference to an **AperiodicParameters** object is given as a parameter to a schedulable's constructor or passed as an argument to one of the schedulable's setter methods, the **AperiodicParameters** object becomes the release parameters object bound to that schedulable. Changes to the values in the **AperiodicParameters** object affect that schedulable. If bound to more than one schedulable then changes to the values in the **AperiodicParameters** object affect *all* of the associated objects. Note that this is a one-to-many relationship and *not* a many-to-many.

Only changes to an **AperiodicParameters** object caused by methods on that object cause the change to propagate to all schedulables using the object. For instance, calling **setCost** on an **AperiodicParameters** object will make the change, then notify that the scheduler that the parameter object has changed. At that point

the object is reconsidered for every schedulable that uses it. Invoking a method on the `RelativeTime` object that is the cost for this object may change the cost but it does not pass the change to the scheduler at that time. That change must not change the behavior of the schedulable's that use the parameter object until a setter method on the `AperiodicParameters` object is invoked, or the parameter object is used in `setReleaseParameters()` or a constructor for a schedulable.

The implementation must use modified copy semantics for each `HighResolutionTime`<sup>59</sup> parameter value. The value of each time object should be treated as if it were copied at the time it is passed to the parameter object, but the object reference must also be retained. For instance, the value returned by `getCost()` must be the same object passed in by `setCost()`, but any changes made to the time value of the cost must not take effect in the associated `AperiodicParameters` instance unless they are passed to the parameter object again, e.g. with a new invocation of `setCost`.

Correct initiation of the deadline miss and cost overrun handlers requires that the underlying system know the arrival time of each sporadic task. For an instance of `RealtimeThread`<sup>60</sup> the arrival time is the time at which the `start()` is invoked. For other instances of `Schedulable`<sup>61</sup>, the required behaviors may require the implementation to behave effectively as if it maintained a queue of arrival times.

**Caution:** This class is explicitly unsafe in multithreaded situations when it is being changed. No synchronization is done. It is assumed that users of this class who are mutating instances will be doing their own synchronization at a higher level.

Attribute	Value
cost	<code>new RelativeTime(0,0)</code>
deadline	<code>new RelativeTime(Long.MAX_VALUE,999999)</code>
overrunHandler	None
missHandler	None
Arrival time queue size	0
Queue overflow policy	SAVE

#### 6.4.2.2.1 Fields

---

<sup>59</sup>Section 9.4.1.2

<sup>60</sup>Section 5.3.2.2

<sup>61</sup>Section 6.4.1.2

**arrivalTimeQueueOverflowExcept**

```
public static final arrivalTimeQueueOverflowExcept
```

Represents the “EXCEPT” policy for dealing with arrival time queue overflow. Under this policy, if an arrival occurs and its time should be queued but the queue already holds a number of times equal to the initial queue length defined by `this` then the `fire()` method shall throw a [ArrivalTimeQueueOverflowException](#)<sup>62</sup>. Any other associated semantics are governed by the schedulers for the schedulables using these aperiodic parameters. If the arrival is a result of a happening to which the instance of [AsyncEventHandler](#)<sup>63</sup> is bound then the arrival time is ignored.

**Available since RTSJ version RTSJ 1.0.1 Moved here from SporadicParameters.**

**arrivalTimeQueueOverflowIgnore**

```
public static final arrivalTimeQueueOverflowIgnore
```

Represents the “IGNORE” policy for dealing with arrival time queue overflow. Under this policy, if an arrival occurs and its time should be queued, but the queue already holds a number of times equal to the initial queue length defined by `this` then the arrival is ignored. Any other associated semantics are governed by the schedulers for the schedulables using these aperiodic parameters.

**Available since RTSJ version RTSJ 1.0.1 Moved here from SporadicParameters.**

**arrivalTimeQueueOverflowReplace**

```
public static final arrivalTimeQueueOverflowReplace
```

Represents the “REPLACE” policy for dealing with arrival time queue overflow. Under this policy if an arrival occurs and should be queued but the queue already holds a number of times equal to the initial queue length defined by `this` then the information for this arrival replaces a previous arrival. Any other associated semantics are governed by the schedulers for the schedulables using these aperiodic parameters.

**Available since RTSJ version RTSJ 1.0.1 Moved here from SporadicParameters.**

---

<sup>62</sup>Section [14.2.2.1](#)

<sup>63</sup>Section [8.4.3.5](#)

**arrivalTimeQueueOverflowSave**

```
public static final arrivalTimeQueueOverflowSave
```

Represents the “SAVE” policy for dealing with arrival time queue overflow. Under this policy if an arrival occurs and should be queued but the queue is full, then the queue is lengthened and the arrival time is saved. Any other associated semantics are governed by the schedulers for the schedulables using these aperiodic parameters. This policy does not update the “initial queue length” as it alters the actual queue length. Since the **SAVE** policy grows the arrival time queue as necessary, for the **SAVE** policy the initial queue length is only an optimization.

**Available since RTSJ version RTSJ 1.0.1 Moved here from SporadicParameters.**

**6.4.2.2.2 Constructors****AperiodicParameters**

*Signature*

```
public
    AperiodicParameters()
```

Create an `AperiodicParameters` object. This constructor is equivalent to

```
AperiodicParameters(null, null, null, null)
```

**Available since RTSJ version RTSJ 1.0.1**

**AperiodicParameters(RelativeTime)**

*Signature*

```
public
    AperiodicParameters(RelativeTime deadline)
```

*Parameters*



*deadline*

Create an `AperiodicParameters` object. This constructor is equivalent to

```
AperiodicParameters(null, deadline, null, null)
```

Available since RTSJ version RTSJ 2.0

## **AperiodicParameters(RelativeTime, AsyncEventHandler)**

*Signature*

```
public  
    AperiodicParameters(RelativeTime deadline, AsyncEventHandler missHandler)
```

Create an `AperiodicParameters` object. This constructor is equivalent to:

```
AperiodicParameters(null, deadline, null, missHandler)
```

Available since RTSJ version RTSJ 2.0

## **AperiodicParameters(RelativeTime, RelativeTime, AsyncEventHandler, AsyncEventHandler)**

*Signature*

```
public  
    AperiodicParameters(RelativeTime cost, RelativeTime deadline, AsyncEventHandler
```

*Parameters*

*cost* Processing time per invocation. On implementations which can measure the amount of time a schedulable object is executed, this value is the maximum amount of time a schedulable receives. On implementations which cannot measure execution time, it is not possible to determine when any particular object exceeds `cost`. If `null`, the default value is a new instance of `RelativeTime(0,0)`.

*deadline* The latest permissible completion time measured from the release time of the associated invocation of the schedulable. If `null`, the default value is a new instance of `RelativeTime(Long.MAX_VALUE, 999999)`.

*overrunHandler* This handler is invoked if an invocation of the schedulable exceeds cost. Not required for minimum implementation. If `null`, the default value is no overrun handler.

*missHandler* This handler is invoked if the `run()` method of the schedulable object is still executing after the deadline has passed. If `null`, the default value is no miss handler.

*Throws*

*IllegalArgumentException* when the time value of `cost` is less than zero, or the time value of `deadline` is less than or equal to zero.

*IllegalAssignmentError* when `cost`, `deadline`, `overrunHandler` or `missHandler` cannot be stored in `this`.

Create an `AperiodicParameters` object.

**Available since RTSJ version RTSJ 2.0**

#### 6.4.2.2.3 Methods

---

### **getArrivalTimeQueueOverflowBehavior**

*Signature*

```
public
java.lang.String getArrivalTimeQueueOverflowBehavior()
```

*Returns*

The behavior of the arrival time queue as a string.

Gets the behavior of the arrival time queue in the event of an overflow.

**Available since RTSJ version RTSJ 1.0.1 Moved from SporadicParameters**

### **getInitialArrivalTimeQueueLength**

*Signature*

```
public
int getInitialArrivalTimeQueueLength()
```

*Returns*

The initial length of the queue.

Gets the initial number of elements the arrival time queue can hold. This returns the initial queue length currently associated with this parameter object. If the overflow policy is **SAVE** the initial queue length may not be related to the current queue lengths of schedulables associated with this parameter object.

**Available since RTSJ version RTSJ 1.0.1 Moved here from SporadicParameters.**

## setDeadline(RelativeTime)

### Signature

```
public
void setDeadline(RelativeTime deadline)
```

### Parameters

*deadline* The latest permissible completion time measured from the release time of the associated invocation of the schedulable. If *deadline* is `null`, the deadline is set to a new instance of `RelativeTime(Long.MAX_VALUE, 999999)`.

### Throws

*IllegalArgumentException* when the time value of *deadline* is less than or equal to zero, or if the new value of this deadline is incompatible with the scheduler for any associated schedulable.

*IllegalAssignmentError* @inheritDoc

Sets the deadline value.

If this parameter object is associated with any schedulable object (by being passed through the schedulable's constructor or set with a method such as `Real-timeThread.setReleaseParameters(ReleaseParameters)`<sup>64</sup>) the deadline of those schedulables is altered as specified by each schedulable's respective scheduler.

## setArrivalTimeQueueOverflowBehavior(String)

### Signature

```
public
void setArrivalTimeQueueOverflowBehavior(String behavior)
```

### Parameters

*behavior* A string representing the behavior.

### Throws

*IllegalArgumentException* when *behavior* is not one of the `final` queue overflow behavior values defined in this class.

---

<sup>64</sup>Section 5.3.2.2.2

Sets the behavior of the arrival time queue in the case where the insertion of a new element would make the queue size greater than the initial size given in this.

Values of `behavior` are compared using reference equality (`==`) not value equality (`equals()`).

**Available since RTSJ version RTSJ 1.0.1 Moved here from `SporadicParameters`.**

### **setInitialArrivalTimeQueueLength(int)**

*Signature*

```
public
void setInitialArrivalTimeQueueLength(int initial)
```

*Parameters*

*initial* The initial length of the queue.

*Throws*

*IllegalArgumentException* when `initial` is less than zero.

Sets the initial number of elements the arrival time queue can hold without lengthening the queue. The initial length of an arrival queue is set when the schedulable using the queue is constructed, after that time changes in the initial queue length are ignored.

**Available since RTSJ version RTSJ 1.0.1 Moved here from `SporadicParameters`.**

#### **6.4.2.3 ImportanceParameters**

---

**Inheritance**

```
java.lang.Object
  javax.realtime.SchedulingParameters
  javax.realtime.PriorityParameters
  javax.realtime.ImportanceParameters
```

Importance is an additional scheduling metric that may be used by some priority-based scheduling algorithms during overload conditions to differentiate execution order among threads of the same priority.

In some realtime systems an external physical process determines the period of many threads. If rate-monotonic priority assignment is used to assign priorities

many of the threads in the system may have the same priority because their periods are the same. However, it is conceivable that some threads may be more important than others and in an overload situation importance can help the scheduler decide which threads to execute first. The base scheduling algorithm represented by `PriorityScheduler`<sup>65</sup> must not consider importance.

#### 6.4.2.3.1 Fields

---

`serialVersionUID`

```
private static final serialVersionUID
```

#### 6.4.2.3.2 Constructors

---

### ImportanceParameters(int, int)

*Signature*

```
public  
    ImportanceParameters(int priority, int importance)
```

*Parameters*

*priority* The priority value assigned to schedulables that use this parameter instance. This value is used in place of the value passed to `Thread.setPriority`.  
*importance* The importance value assigned to schedulable objects that use this parameter instance.

Create an instance of `ImportanceParameters`.

#### 6.4.2.3.3 Methods

---

---

<sup>65</sup>Section 6.4.2.6

## getImportance

### Signature

```
public
int getImportance()
```

### Returns

The value of importance for the associated instances of [Schedulable](#)<sup>66</sup>. Gets the importance value.

## setImportance(int)

### Signature

```
public
void setImportance(int importance)
```

### Parameters

*importance* The value to which importance is set.

### Throws

*IllegalArgumentException* when the given importance value is incompatible with the scheduler for any of the schedulables which are presently using this parameter object.

Set the importance value. If this parameter object is associated with any schedulable (by being passed through the schedulable's constructor or set with a method such as [RealtimeThread.setSchedulingParameters\(SchedulingParameters\)](#)<sup>67</sup>) the importance of those schedulables is altered at a moment controlled by the schedulers for the respective schedulables.

## toString

### Signature

```
public
java.lang.String toString()
```

Print the value of the priority and importance values of the associated instance of [Schedulable](#)<sup>68</sup>

### 6.4.2.4 PeriodicParameters

---

<sup>66</sup>Section [6.4.1.2](#)

<sup>67</sup>Section [5.3.2.2.2](#)

<sup>68</sup>Section [6.4.1.2](#)

**Inheritance**

```

java.lang.Object
  javax.realtime.ReleaseParameters
    javax.realtime.PeriodicParameters

```

This release parameter indicates that the schedulable is released on a regular basis. For an `AsyncEventHandler`<sup>69</sup>, this means that the handler is either released by a periodic timer, or the associated event occurs periodically. For a `RealtimeThread`<sup>70</sup>, this means that the `RealtimeThread.waitForNextPeriod`<sup>71</sup> or `RealtimeThread.waitForNextPeriodInterruptible`<sup>72</sup> method will unblock the associated realtime thread at the start of each period.

When a reference to a `PeriodicParameters` object is given as a parameter to a schedulable's constructor or passed as an argument to one of the schedulable's setter methods, the `PeriodicParameters` object becomes the release parameters object bound to that schedulable. Changes to the values in the `PeriodicParameters` object affect that schedulable object. If bound to more than one schedulable then changes to the values in the `PeriodicParameters` object affect *all* of the associated objects. Note that this is a one-to-many relationship and *not* a many-to-many.

Only changes to a `PeriodicParameters` object caused by methods on that object cause the change to propagate to all schedulable objects using the object. For instance, calling `setCost` on an `PeriodicParameters` object will make the change, then notify that the scheduler that the parameter object has changed. At that point the object is reconsidered for every SO that uses it. Invoking a method on the `RelativeTime` object that is the cost for this object may change the cost but it does not pass the change to the scheduler at that time. That change must not change the behavior of the SOs that use the parameter object until a setter method on the `PeriodicParameters` object is invoked, or the parameter object is used in `setReleaseParameters()` or a constructor for an SO.

Periodic parameters use `HighResolutionTime`<sup>73</sup> values for blocking time, period and start time. Since these times are expressed as a `HighResolutionTime`<sup>74</sup> values, these values use accurate timers with nanosecond granularity. The actual resolution available and even the quantity the timers measure depend on the clock associated with each time value.

The implementation must use modified copy semantics for each `HighResolutionTime`<sup>75</sup> parameter value. The value of each time object should be treated as if

---

<sup>69</sup>Section 8.4.3.5

<sup>70</sup>Section 5.3.2.2

<sup>71</sup>Section 5.3.2.2.2

<sup>72</sup>Section 5.3.2.2.2

<sup>73</sup>Section 9.4.1.2

<sup>74</sup>Section 9.4.1.2

<sup>75</sup>Section 9.4.1.2

it were copied at the time it is passed to the parameter object, but the object reference must also be retained. For instance, the value returned by `getCost()` must be the same object passed in by `setCost()`, but any changes made to the time value of the cost must not take effect in the associated `PeriodicParameters` instance unless they are passed to the parameter object again, e.g. with a new invocation of `setCost`.

Periodic release parameters are strictly informational when they are applied to async event handlers. They must be used for any feasibility analysis, but release of the async event handler is not entirely controlled by the scheduler.

**Caution:** This class is explicitly unsafe in multithreaded situations when it is being changed. No synchronization is done. It is assumed that users of this class who are mutating instances will be doing their own synchronization at a higher level.

**Caution:** An implementation is not required to ensure that each `AsyncEventHandler` with periodic parameters is released periodically.

Attribute	Default Value
blocking	new RelativeTime(0,0)
start	new RelativeTime(0,0)
period	No default. A value must be supplied
cost	new RelativeTime(0,0)
deadline	new RelativeTime(period)
overrunHandler	None
missHandler	None

#### 6.4.2.4.1 Constructors

---

### PeriodicParameters(RelativeTime)

*Signature*

```
public
    PeriodicParameters(RelativeTime period)
```

Create a `PeriodicParameters` object with the specified period and all other attributes set to their default values. This constructor has the same effect as invoking `PeriodicParameters(null, period, null, null, null, null)`



Available since RTSJ version RTSJ 1.0.1

### **PeriodicParameters(HighResolutionTime, RelativeTime)**

*Signature*

```
public  
    PeriodicParameters(HighResolutionTime start, RelativeTime period)
```

Create a `PeriodicParameters` object with the specified period and start times, and all other attributes set to their default values. This constructor has the same effect as invoking `PeriodicParameters(start, period, null, null, null, null)`

Available since RTSJ version RTSJ 1.0.1

### **PeriodicParameters(HighResolutionTime, RelativeTime, RelativeTime)**

*Signature*

```
public  
    PeriodicParameters(HighResolutionTime start, RelativeTime period, RelativeTime
```

Create a `PeriodicParameters` object with the specified deadline, period and start times, and all other attributes set to their default values. This constructor has the same effect as invoking `PeriodicParameters(start, period, null, deadline, null, null, null)`

Available since RTSJ version RTSJ 2.0

### **PeriodicParameters(HighResolutionTime, RelativeTime, RelativeTime, RelativeTime, AsyncEventHandler, AsyncEventHandler)**

*Signature*

```
public
    PeriodicParameters(HighResolutionTime start, RelativeTime period, Relat
```

### Parameters

*start* Time at which the first release begins (i.e. the real-time thread becomes eligible for execution.) If a `RelativeTime`, this time is relative to the first time the thread becomes activated (that is, when `start()` is called). If an `AbsoluteTime`, then the first release is the maximum of the start parameter and the time of the call to the associated `RealtimeThread.start()` method (modified according to any phasing policy). If null, the default value is a new instance of `RelativeTime(0,0)`.

*period* The period is the interval between successive unblocks of the `RealtimeThread.waitForNextPeriod`<sup>76</sup> and `RealtimeThread.waitForNextPeriodInterruptible` methods. There is no default value. If `period` is null an exception is thrown.

*cost* Processing time per release. On implementations which can measure the amount of time a schedulable is executed, this value is the maximum amount of time a schedulable receives per release. If null, the default value is a new instance of `RelativeTime(0,0)`.

*deadline* The latest permissible completion time measured from the release time of the associated invocation of the schedulable. If null, the default value is new instance of `RelativeTime(period)`.

*overrunHandler* This handler is invoked if an invocation of the schedulable exceeds `cost` in the given release. Implementations may ignore this parameter. If null, the default value no overrun handler.

*missHandler* This handler is invoked if the `run()` method of the schedulable is still executing after the deadline has passed. Although minimum implementations do not consider deadlines in feasibility calculations, they must recognize variable deadlines and invoke the miss handler as appropriate. If null, the default value no deadline miss handler.

### Throws

*IllegalArgumentExpection* when the `period` is null or its time value is not greater than zero, or if the time value of `cost` is less than zero, or if the time value of `deadline` is not greater than zero, or if the clock associated with the `cost` is not the real-time clock, or if the clock associated with the `start`, `deadline` and `period` parameters are not the same.

*IllegalAssignmentError* when `start` `period`, `cost`, `deadline`, `overrunHandler` or `missHandler` cannot be stored in `this`.

---

<sup>76</sup>Section 5.3.2.2.2

<sup>77</sup>Section 5.3.2.2.2

Create a `PeriodicParameters` object with a default blocking time and all other attributes set to the specified values.

#### 6.4.2.4.2 Methods

---

### **getPeriod**

*Signature*

```
public
    javax.realtime.RelativeTime getPeriod()
```

*Returns*

The current value in `period`.

Gets the period.

### **getStart**

*Signature*

```
public
    javax.realtime.HighResolutionTime getStart()
```

*Returns*

The current value in `start`. This is the value that was specified in the constructor or by `setStart()`, not the actual absolute time corresponding to the start of one of the schedulable objects associated with this `PeriodicParameters` object.

Gets the start time.

### **setDeadline(RelativeTime)**

*Signature*

```
public
    void setDeadline(RelativeTime deadline)
```

*Parameters*

*deadline* The latest permissible completion time measured from the release time of the associated invocation of the schedulable. If `deadline` is `null`, the deadline is set to a new instance of `RelativeTime` equal to `period`.

*Throws*

*IllegalArgumentExcpion* when the time value of `deadline` is less than or equal to zero, or if the new value of this deadline is incompatible with the scheduler for any associated schedulable.

*IllegalAssignmentError* @inheritDoc

Sets the deadline value.

If this parameter object is associated with any schedulable object (by being passed through the schedulable's constructor or set with a method such as `Real-timeThread.setReleaseParameters(ReleaseParameters)`<sup>78</sup>) the deadline of those schedulables is altered as specified by each schedulable's respective scheduler.

## setPeriod(RelativeTime)

*Signature*

```
public
void setPeriod(RelativeTime period)
```

*Parameters*

*period* The value to which period is set.

*Throws*

*IllegalArgumentException* when the given period is null or its time value is not greater than zero. Also when period is incompatible with the scheduler for any associated schedulable or when an associated `AbstractAsyncEventHandler`<sup>79</sup> is associated with a `Timer`<sup>80</sup> whose period does not match period.

*IllegalAssignmentError* when period cannot be stored in this.

Sets the period.

## setStart(HighResolutionTime)

*Signature*

```
public
void setStart(HighResolutionTime start)
```

*Parameters*

*start* The new start time. If null, the default value is a new instance of `RelativeTime(0,0)`.

*Throws*

*IllegalArgumentException* when the given start time is incompatible with the scheduler for any of the schedulable objects which are presently using this parameter object.

*IllegalAssignmentError* when start cannot be stored in this.

Sets the start time.

The effect of changing the start time for any schedulables associated with this parameter object is determined by the scheduler associated with each schedulable.

---

<sup>78</sup>Section 5.3.2.2.2

<sup>79</sup>Section 8.4.3.2

<sup>80</sup>Section 10.4.2.6

*Note:* An instance of `PeriodicParameters` may be shared by several schedulables. A change to the start time may take effect on a subset of these schedulables. That leaves the start time returned by `getStart` unreliable as a way to determine the start time of a schedulable.

#### 6.4.2.5 PriorityParameters

---

##### Inheritance

```
java.lang.Object
  javax.realtime.SchedulingParameters
  javax.realtime.PriorityParameters
```

Instances of this class should be assigned to schedulables that are managed by schedulers which use a single integer to determine execution order. The base scheduler required by this specification and represented by the class `PriorityScheduler`<sup>81</sup> is such a scheduler.

##### 6.4.2.5.1 Fields

---

```
serialVersionUID
  private static final serialVersionUID
```

##### 6.4.2.5.2 Constructors

---

### PriorityParameters(int)

#### *Signature*

```
public
  PriorityParameters(int priority)
```

#### *Parameters*

*priority* The priority assigned to schedulables that use this parameter instance. Create an instance of `PriorityParameters`<sup>82</sup> with the given priority.

---

<sup>81</sup>Section 6.4.2.6

<sup>82</sup>Section 6.4.2.5

### 6.4.2.5.3 Methods

---

#### **getPriority**

*Signature*

```
public
int getPriority()
```

*Returns*

The priority.

Gets the priority value.

#### **setPriority(int)**

*Signature*

```
public
void setPriority(int priority)
```

*Parameters*

*priority* The value to which priority is set.

*Throws*

*IllegalArgumentException* when the given priority value is incompatible with the scheduler for any of the schedulables which are presently using this parameter object.

Set the priority value. If this parameter object is associated with any schedulable (by being passed through the schedulable's constructor or set with a method such as `RealtimeThread.setSchedulingParameters(SchedulingParameters)`<sup>83</sup>) the base priority of those schedulables is altered as specified by each schedulable's scheduler.

#### **toString**

*Signature*

```
public
java.lang.String toString()
```

*Returns*

A string representing the value of priority.

Converts the priority value to a string.

---

<sup>83</sup>Section 5.3.2.2.2

### 6.4.2.6 PriorityScheduler

---

#### Inheritance

```

java.lang.Object
  javax.realtime.Scheduler
    javax.realtime.PriorityScheduler
  
```

Class which represents the required (by the RTSJ) priority-based scheduler. The default instance is the base scheduler which does fixed priority, preemptive scheduling.

This scheduler, like all schedulers, governs the default values for scheduling-related parameters in its client schedulables. The defaults are as follows:

Attribute	Default Value
<i>Priority parameters</i>	
Priority	norm priority

Note that the system contains one instance of the `PriorityScheduler` which is the system's base scheduler and is returned by `PriorityScheduler.instance()`. It may, however, contain instances of subclasses of `PriorityScheduler` and even additional instances of `PriorityScheduler` itself created through this class' protected constructor. The instance returned by the `instance()`<sup>84</sup> method is the *base scheduler* and is returned by `Scheduler.getDefaultScheduler()`<sup>85</sup> unless the default scheduler is reset with `Scheduler.setDefaultScheduler(Scheduler)`<sup>86</sup>.

#### 6.4.2.6.1 Fields

---

##### MAX\_PRIORITY

```
public static final MAX_PRIORITY
```

The maximum priority value used by the implementation.

Deprecated since RTSJ version as of RTSJ 1.0.1 Use the `getMaxPriority`<sup>87</sup>

---

<sup>84</sup>Section 6.4.2.6.3

<sup>85</sup>Section 6.4.2.9.2

<sup>86</sup>Section 6.4.2.9.2

<sup>87</sup>Section 6.4.2.6.3

method instead.

#### MIN\_PRIORITY

```
public static final MIN_PRIORITY
```

The minimum priority value used by the implementation.

Deprecated since RTSJ version as of RTSJ 1.0.1 Use the `getMinPriority`<sup>88</sup> method instead.

#### 6.4.2.6.2 Constructors

---

### PriorityScheduler

*Signature*

```
protected  
PriorityScheduler()
```

Construct an instance of `PriorityScheduler`. Applications will likely not need any instance other than the default instance.

#### 6.4.2.6.3 Methods

---

### instance

*Signature*

```
public static  
javax.realtime.PriorityScheduler instance()
```

*Returns*

A reference to the distinguished instance `PriorityScheduler`.

Return a reference to the distinguished instance of `PriorityScheduler` which is the system's base scheduler.

---

<sup>88</sup>Section [6.4.2.6.3](#)



## getMaxPriority

### Signature

```
public
int getMaxPriority()
```

### Returns

The value of the maximum priority.

Gets the maximum priority available for a schedulable managed by this scheduler.

## getMaxPriority(Thread)

### Signature

```
public static
int getMaxPriority(Thread thread)
```

### Parameters

*thread* An instance of `Thread`. If `null`, the maximum priority of this scheduler is returned.

### Throws

*IllegalArgumentException* when `thread` is a realtime thread that is not scheduled by an instance of `PriorityScheduler`.

### Returns

The maximum priority for `thread`

Gets the maximum priority for the given thread. If the given thread is a realtime thread that is scheduled by an instance of `PriorityScheduler`, then the maximum priority for that scheduler is returned. If the given thread is a Java thread then the maximum priority of its thread group is returned. Otherwise an exception is thrown.

## getMinPriority

### Signature

```
public
int getMinPriority()
```

### Returns

The minimum priority used by this scheduler.

Gets the minimum priority available for a schedulable managed by this scheduler.

## getMinPriority(Thread)

### Signature

```
public static
```

```
int getMinPriority(Thread thread)
```

*Parameters*

*thread* An instance of `Thread`. If `null`, the minimum priority of this scheduler is returned.

*Throws*

*IllegalArgumentExcep<sup>3</sup>tion* when `thread` is a realtime thread that is not scheduled by an instance of `PriorityScheduler`.

*Returns*

The minimum priority for `thread`

Gets the minimum priority for the given thread. If the given thread is a realtime thread that is scheduled by an instance of `PriorityScheduler`, then the minimum priority for that scheduler is returned. If the given thread is a Java thread then `Thread.MIN_PRIORITY` is returned. Otherwise an exception is thrown.

## **getNormPriority**

*Signature*

```
public
int getNormPriority()
```

*Returns*

The value of the normal priority.

Gets the normal priority available for a schedulable managed by this scheduler.

## **getNormPriority(Thread)**

*Signature*

```
public static
int getNormPriority(Thread thread)
```

*Parameters*

*thread* An instance of `Thread`. If `null`, the norm priority for this scheduler is returned.

*Throws*

*IllegalArgumentExcep<sup>3</sup>tion* when `thread` is a realtime thread that is not scheduled by an instance<sup>3</sup> of `PriorityScheduler`.

*Returns*

The norm priority for `thread`

Gets the "norm" priority for the given thread. If the given thread is a realtime thread that is scheduled by an instance of `PriorityScheduler`, then the norm priority for that scheduler is returned. If the given thread is a Java thread then `Thread.NORM_PRIORITY` is returned. Otherwise an exception is thrown.

## fireSchedulable(Schedulable)

*Signature*

```
public
void fireSchedulable(Schedulable schedulable)
```

*Parameters*

*schedulable* @inheritDoc

*Throws*

*UnsupportedOperationException* Thrown in all cases by the `PriorityScheduler`

@inheritDoc

## getPolicyName

*Signature*

```
public
java.lang.String getPolicyName()
```

*Returns*

The policy name (Fixed Priority) as a string.

Gets the policy name of `this`.

### 6.4.2.7 ProcessingGroupParameters

---

#### Inheritance

```
java.lang.Object
  javax.realtime.ProcessingGroupParameters
```

*Interfaces*

```
Cloneable
Serializable
```

This is associated with one or more schedulables for which the system guarantees that the associated objects will not be given more time per period than indicated by `cost`. On implementations which do not support processing group parameters, this class may be used as a hint to the feasibility algorithm. The motivation for this class is to allow the execution demands of one or more aperiodic schedulables to be bound so that they can be included in feasibility analysis. However, periodic or sporadic schedulables can also be associated with a processing group.

Processing groups have an associated affinity set that must contain only a single processor. The default affinity set is given by `Affinity.getDefaultAffinity()`.

For all schedulables with a reference to an instance of `ProcessingGroupParameters` `p` no more than `p.cost` will be allocated to the execution of these schedulables on the processor associated with its processing group in each interval of time given by `p.period` after the time indicated by `p.start`. No execution of the schedulables will be allowed on any processor other than this processor. If there is no intersection between the a schedulable objects affinity set and its processing group's affinity set, then the schedulable execution is constrained by the default processing group's affinity set. **Peter, have I got the above correct. I still think it is messy. I would prefer only the identify processor usage to be constrained.**

Logically a virtual server is associated with each instance of `ProcessingGroupParameters`. This server has a start time, a period, a cost (budget) and a deadline. The server can only logically execute when (a) it has not consumed more execution time in its current release than the cost (budget) parameter, (b) one of its associated schedulables is executable and is the most eligible of the executable schedulables. If the server is logically executable, the associated schedulable is executed. When the cost has been consumed, any `overrunHandler` is released, and the server is not eligible for logical execution until its next period is due. At this point, its allocated cost (budget) is replenished. If the server is logically executing when its deadline expires, any associated `missHandler` is released. The deadline and cost parameters of all the associated schedulable objects have the same impact as they would if the objects were not bound to a processing group.

Processing group parameters use `HighResolutionTime`<sup>89</sup> values for cost, deadline, period and start time. Since those times are expressed as a `HighResolutionTime`<sup>90</sup>, the values use accurate timers with nanosecond granularity. The actual resolution available and even the quantity it measures depends on the clock associated with each time value.

When a reference to a `ProcessingGroupParameters` object is given as a parameter to a schedulable's constructor or passed as an argument to one of the schedulable's setter methods, the `ProcessingGroupParameters` object becomes the processing group parameters object bound to that schedulable object. Changes to the values in the `ProcessingGroupParameters` object affect that schedulable object. If bound to more than one schedulable then changes to the values in the `ProcessingGroupParameters` object affect *all* of the associated objects. Note that this is a one-to-many relationship and *not* a many-to-many.

The implementation must use modified copy semantics for each `HighResolutionTime`<sup>91</sup> parameter value. The value of each time object should be treated as if it were copied at the time it is passed to the parameter object, but the object refer-

---

<sup>89</sup>Section 9.4.1.2

<sup>90</sup>Section 9.4.1.2

<sup>91</sup>Section 9.4.1.2

ence must also be retained. Only changes to a `ProcessingGroupParameters` object caused by methods on that object are immediately visible to the scheduler. For instance, invoking `setPeriod()` on a `ProcessingGroupParameters` object will make the change, then notify that the scheduler that the parameter object has changed. At that point the scheduler's view of the processing group parameters object is updated. Invoking a method on the `RelativeTime` object that is the period for this object may change the period but it does not pass the change to the scheduler at that time. That new value for period must not change the behavior of the SOs that use the parameter object until a setter method on the `ProcessingGroupParameters` object is invoked, or the parameter object is used in `setProcessingGroupParameters()` or a constructor for an SO.

The implementation may use copy semantics for each `HighResolutionTime` parameter value. For instance the value returned by `getCost()` must be `equal` to the value passed in by `setCost`, but it need not be the same object.

**Caution:** This class is explicitly unsafe in multithreaded situations when it is being changed. No synchronization is done. It is assumed that users of this class who are mutating instances will be doing their own synchronization at a higher level.

**Caution:** The `cost` parameter time should be considered to be measured against the target platform.

Attribute	Default Value
start	new RelativeTime(0,0)
period	No default. A value must be supplied
cost	No default. A value must be supplied
deadline	new RelativeTime(period)
overrunHandler	None
missHandler	None

#### 6.4.2.7.1 Fields

---

`serialVersionUID`

```
private static final serialVersionUID
```

#### 6.4.2.7.2 Constructors

---

## ProcessingGroupParameters(HighResolutionTime, RelativeTime, RelativeTime, AsyncEventHandler, AsyncEventHandler)

### Signature

```
public
    ProcessingGroupParameters(HighResolutionTime start, RelativeTime period
```

### Parameters

*start* Time at which the first period begins. If a `RelativeTime`, this time is relative to the creation of this. If an `AbsoluteTime`, then the first release of the logical server is at the start time (or immediately if the absolute time is in the past). If `null`, the default value is a new instance of `RelativeTime(0,0)`.

*period* The period is the interval between successive replenishment of the logical server's associated cost budget. There is no default value. If `period` is `null` an exception is thrown.

*cost* Processing time per period. The budget CPU time that the logical server can consume each period. If `null`, an exception is thrown.

*deadline* The latest permissible completion time measured from the start of the current period. Changing the deadline might not take effect after the expiration of the current deadline. Specifying a deadline less than the period constrains execution of all the members of the group to the beginning of each period. If `null`, the default value is new instance of `RelativeTime(period)`.

*overrunHandler* This handler is invoked if any schedulable object member of this processing group attempts to use processor time beyond the group's budget. If `null`, no application async event handler is fired on the overrun condition.

*missHandler* This handler is invoked if the logical server is still executing after the deadline has passed. If `null`, no application async event handler is fired on the deadline miss condition.

### Throws

*IllegalArgumentException* when the `period` is `null` or its time value is not greater than zero, if `cost` is `null`, or if the time value of `cost` is less than zero, if `start` is an instance of `RelativeTime` and its value is negative, or if the time value of `deadline` is not greater than zero and less than or equal to the `period`. If the implementation does not support processing group deadline less than period, `deadline` less than `period` will cause `IllegalArgumentException` to be thrown.

*IllegalAssignmentError* when `start`, `period`, `cost`, `deadline`, `overrunHandler` or `missHandler` cannot be stored in this.

Create a `ProcessingGroupParameters` object.

### 6.4.2.7.3 Methods

---

#### **clone**

*Signature*

```
public
  java.lang.Object clone()
```

Return a clone of `this`. This method should behave effectively as if it constructed a new object with clones of the high-resolution time values of `this`.

- The new object is in the current allocation context.
- `clone` does not copy any associations from `this` and it does not implicitly bind the new object to a SO.
- The new object has clones of all high-resolution time values (deep copy).
- References to event handlers are copied (shallow copy.)

Available since RTSJ version RTSJ 1.0.1

#### **getCost**

*Signature*

```
public
  javax.realtime.RelativeTime getCost()
```

*Returns*

a reference to the value of `cost`.

Gets the value of `cost`.

#### **getCostOverrunHandler**

*Signature*

```
public
  javax.realtime.AsyncEventHandler getCostOverrunHandler()
```

*Returns*

A reference to an instance of [AsyncEventHandler](#)<sup>92</sup> that is cost overrun handler of `this`.

---

<sup>92</sup>Section [8.4.3.5](#)

Gets the cost overrun handler.

## getDeadline

*Signature*

```
public  
    javax.realtime.RelativeTime getDeadline()
```

*Returns*

A reference to an instance of [RelativeTime](#)<sup>93</sup> that is the deadline of `this`.  
Gets the value of `deadline`.

## getDeadlineMissHandler

*Signature*

```
public  
    javax.realtime.AsyncEventHandler getDeadlineMissHandler()
```

*Returns*

A reference to an instance of [AsyncEventHandler](#)<sup>94</sup> that is deadline miss handler of `this`.  
Gets the deadline miss handler.

## getPeriod

*Signature*

```
public  
    javax.realtime.RelativeTime getPeriod()
```

*Returns*

A reference to an instance of [RelativeTime](#)<sup>95</sup> that represents the value of `period`.  
Gets the value of `period`.

## getStart

*Signature*

```
public  
    javax.realtime.HighResolutionTime getStart()
```

*Returns*

---

<sup>93</sup>Section [9.4.1.3](#)

<sup>94</sup>Section [8.4.3.5](#)

<sup>95</sup>Section [9.4.1.3](#)



A reference to an instance of `HighResolutionTime`<sup>96</sup> that represents the value of `start`.

Gets the value of `start`. This is the value that was specified in the constructor or by `setStart()`, not the actual absolute time the corresponding to the start of the processing group.

### **setCost(RelativeTime)**

*Signature*

```
public
void setCost(RelativeTime cost)
```

*Parameters*

*cost* The new value for `cost`. If `null`, an exception is thrown.

*Throws*

*IllegalArgumentException* when `cost` is `null` or its time value is less than zero.

*IllegalAssignmentError* when `cost` cannot be stored in `this`.

Sets the value of `cost`.

### **setCostOverrunHandler(AsyncEventHandler)**

*Signature*

```
public
void setCostOverrunHandler(AsyncEventHandler handler)
```

*Parameters*

*handler* This handler is invoked if the `run()` method of and of the the schedulables attempt to execute for more than `cost` time units in any period. If `null`, no handler is attached, and any previous handler is removed.

*Throws*

*IllegalAssignmentError* when `handler` cannot be stored in `this`.

Sets the cost overrun handler.

### **setDeadline(RelativeTime)**

*Signature*

```
public
void setDeadline(RelativeTime deadline)
```

*Parameters*

*deadline* The new value for `deadline`. If `null`, the default value is new instance of `RelativeTime(period)`.

---

<sup>96</sup>Section 9.4.1.2

*Throws*

*IllegalArgumentException* when `deadline` has a value less than zero or greater than the period. Unless the implementation supports deadline less than period in processing groups, *IllegalArgumentException* is also when `deadline` is less than the period.

*IllegalAssignmentError* when `deadline` cannot be stored in `this`.

Sets the value of `deadline`.

**setDeadlineMissHandler(AsyncEventHandler)***Signature*

```
public
void setDeadlineMissHandler(AsyncEventHandler handler)
```

*Parameters*

*handler* This handler is invoked if the `run()` method of any of the schedulables still expect to execute after the deadline has passed. If `null`, no handler is attached, and any previous handler is removed.

*Throws*

*IllegalAssignmentError* when `handler` cannot be stored in `this`.

Sets the deadline miss handler.

**setPeriod(RelativeTime)***Signature*

```
public
void setPeriod(RelativeTime period)
```

*Parameters*

*period* The new value for `period`. There is no default value. If `period` is `null` an exception is thrown.

*Throws*

*IllegalArgumentException* when `period` is `null`, or its time value is not greater than zero. If the implementation does not support processing group deadline less than period, and `period` is not equal to the current value of the processing group's deadline, the deadline is set to a clone of `period` created in the same memory area as `period`.

*IllegalAssignmentError* when `period` cannot be stored in `this`.

Sets the value of `period`.

**setStart(HighResolutionTime)***Signature*

```
public  
void setStart(HighResolutionTime start)
```

#### Parameters

*start* The new value for `start`. If `null`, the default value is a new instance of `RelativeTime(0,0)`.

#### Throws

*IllegalAssignmentError* when `start` cannot be stored in `this`.

*IllegalArgumentException* when `start` is a relative time value and less than zero.

Sets the value of `start`. If the processing group is already started this method alters the value of this object's start time property, but has no other effect.

### 6.4.2.8 ReleaseParameters

---

#### Inheritance

```
java.lang.Object  
  javax.realtime.ReleaseParameters
```

#### Interfaces

```
Cloneable  
Serializable
```

The top-level class for release characteristics of schedulable objects. When a reference to a `ReleaseParameters` object is given as a parameter to a constructor of a schedulable, the `ReleaseParameters` object becomes bound to the object being created. Changes to the values in the `ReleaseParameters` object affect the constructed object. If given to more than one constructor, then changes to the values in the `ReleaseParameters` object affect *all* of the associated objects. Note that this is a one-to-many relationship and *not* a many-to-many. Only changes to an `ReleaseParameters` object caused by methods on that object cause the change to propagate to all schedulables using the object. For instance, invoking `setDeadline` on a `ReleaseParameters` instance will make the change, and then notify that the scheduler that the object has been changed. At that point the object is reconsidered for every SO that uses it. Invoking a method on the `RelativeTime` object that is the deadline for this object may change the time value but it does not pass the new time value to the scheduler at that time. Even though the changed time value is referenced by `ReleaseParameters` objects, it will not change the behavior of the SOs that use the parameter object until a setter method on the `ReleaseParameters` object is invoked, or the parameter object is used in `setReleaseParameters()` or a constructor for a schedulable.

Release parameters use `HighResolutionTime`<sup>97</sup> values for blocking time, cost, and deadline. Since the times are expressed as a `HighResolutionTime`<sup>98</sup> values, these values use accurate timers with nanosecond granularity. The actual resolution available and even the quantity the timers measure depend on the clock associated with each time value.

The implementation must use modified copy semantics for each `HighResolutionTime`<sup>99</sup> parameter value. The value of each time object should be treated as if it were copied at the time it is passed to the parameter object, but the object reference must also be retained. For instance, the value returned by `getCost()` must be the same object passed in by `setCost()`, but any changes made to the time value of the cost must not take effect in the associated `ReleaseParameters` instance unless they are passed to the parameter object again, e.g. with a new invocation of `setCost`.

Attribute	Default Value
blocking	new RelativeTime(0,0)
cost	new RelativeTime(0,0)
deadline	no default
overrunHandler	None
missHandler	None

**Caution:** This class is explicitly unsafe in multithreaded situations when it is being changed. No synchronization is done. It is assumed that users of this class who are mutating instances will be doing their own synchronization at a higher level.

**Caution:** The `cost` parameter time should be considered to be measured against the target platform.

**Note:** Cost measurement and enforcement is an optional facility for implementations of the RTSJ.

#### 6.4.2.8.1 Fields

---

```

serialVersionUID
private static final serialVersionUID

```

---

<sup>97</sup>Section 9.4.1.2

<sup>98</sup>Section 9.4.1.2

<sup>99</sup>Section 9.4.1.2

### 6.4.2.8.2 Constructors

---

## ReleaseParameters

### *Signature*

```
protected  
    ReleaseParameters()
```

Create a new instance of `ReleaseParameters`. This constructor creates a default `ReleaseParameters` object, i.e., it is equivalent to `ReleaseParameters(null, null, null, null)`.

## ReleaseParameters(RelativeTime, AsyncEventHandler)

### *Signature*

```
protected  
    ReleaseParameters(RelativeTime deadline, AsyncEventHandler missHandler)
```

Create a new instance of `ReleaseParameters` with the given parameter values.  
\* This constructor is equivalent to `ReleaseParameters(null, deadline, null, missHandler)`.

Available since RTSJ version RTSJ 2.0

## ReleaseParameters(RelativeTime, RelativeTime, AsyncEventHandler, AsyncEventHandler)

### *Signature*

```
protected  
    ReleaseParameters(RelativeTime cost, RelativeTime deadline, AsyncEventHandler
```

### *Parameters*

*cost* - Processing time units per release. On implementations which can measure the amount of time a schedulable object is executed, If null, the default value is a new instance of `RelativeTime(0,0)`.

*deadline* - The latest permissible completion time measured from the release time of the associated invocation of the schedulable. There is no default for deadline in this class. The default must be determined by the subclasses.

*overrunHandler* - This handler is invoked if an invocation of the schedulable exceeds *cost*. In the minimum implementation *overrunHandler* is ignored. If null, no application event handler is executed on *cost* overrun.

*missHandler* - This handler is invoked if the `run()` method of the schedulable is still executing after the deadline has passed. Although minimum implementations do not consider deadlines in feasibility calculations, they must recognize variable deadlines and invoke the miss handler as appropriate. If null, no application event handler is executed on the miss deadline condition.

#### *Throws*

*java.lang.IllegalArgumentException* - when the time value of *cost* is less than zero, or the time value of *deadline* is less than or equal to zero or the clock associated with the *cost* parameters is not the real-time clock.

*IllegalAssignmentError* - when *cost*, *deadline*, *overrunHandler*, or *missHandler* cannot be stored in *this*.

Create a new instance of `ReleaseParameters` with the given parameter values.

### 6.4.2.8.3 Methods

---

#### **clone**

##### *Signature*

```
public
java.lang.Object clone()
```

Return a clone of `this`. This method should behave effectively as if it constructed a new object with clones of the high-resolution time values of `this`.

- The new object is in the current allocation context.
- `clone` does not copy any associations from `this` and it does not implicitly bind the new object to a SO.
- The new object has clones of all high-resolution time values (deep copy).
- References to event handlers are copied (shallow copy).

**Available since RTSJ version RTSJ 1.0.1**

## **getCost**

*Signature*

```
public  
    javax.realtime.RelativeTime getCost()
```

*Returns*

A reference to `cost`.

Gets a reference to the `cost`.

## **getCostOverrunHandler**

*Signature*

```
public  
    javax.realtime.AsyncEventHandler getCostOverrunHandler()
```

*Returns*

A reference to the associated cost overrun handler.

Gets a reference to the cost overrun handler.

## **getDeadline**

*Signature*

```
public  
    javax.realtime.RelativeTime getDeadline()
```

*Returns*

A reference to `deadline`.

Gets a reference to the `deadline`.

## **getDeadlineMissHandler**

*Signature*

```
public  
    javax.realtime.AsyncEventHandler getDeadlineMissHandler()
```

*Returns*

A reference to the deadline miss handler.

Gets a reference to the deadline miss handler.

## **setCost(RelativeTime)**

*Signature*

```
public  
    void setCost(RelativeTime cost)
```

*Parameters*

*cost* Processing time units per release. On implementations which can measure the amount of time a schedulable is executed, this value is the maximum amount of time a schedulable receives per release. On implementations which cannot measure execution time, this value is used as a hint to the feasibility algorithm. On such systems it is not possible to determine when any particular object exceeds *cost*. If `null`, the default value is a new instance of `RelativeTime(0,0)`.

*Throws*

*IllegalArgumentExce`ption`* when the time value of `cost` is less than zero, or the clock associated with the `cost` parameters is not the real-time clock.

*IllegalAssignmentError* when `cost` cannot be stored in `this`.

Sets the cost value.

When this parameter object is associated with any schedulable object (by being passed through the schedulable's constructor or set with a method such as `Real-timeThread.setReleaseParameters(ReleaseParameters)`<sup>100</sup>) the cost of those schedulables is altered as specified by each schedulable's respective scheduler.

**setCostOverrunHandler(AsyncEventHandler)***Signature*

```
public
void setCostOverrunHandler(AsyncEventHandler handler)
```

*Parameters*

*handler* This handler is invoked if an invocation of the schedulable attempts to exceed `cost` time units in a release. A `null` value of `handler` signifies that no cost overrun handler should be used.

*Throws*

*IllegalAssignmentError* when `handler` cannot be stored in `this`.

Sets the cost overrun handler.

If this parameter object is associated with any schedulable object (by being passed through the schedulable's constructor or set with a method such as `Real-timeThread.setReleaseParameters(ReleaseParameters)`<sup>101</sup>) the cost overrun handler of those schedulables is altered as specified by each schedulable's respective scheduler.

**setDeadline(RelativeTime)**


---

<sup>100</sup>Section 5.3.2.2.2

<sup>101</sup>Section 5.3.2.2.2



*Signature*

```
public
void setDeadline(RelativeTime deadline)
```

*Parameters*

*deadline* The latest permissible completion time measured from the release time of the associated invocation of the schedulable. The default value of the deadline must be controlled by the classes that extend `ReleaseParameters`.

*Throws*

*IllegalArgumentException* when `deadline` is `null`, the time value of `deadline` is less than or equal to zero, or if the new value of this deadline is incompatible with the scheduler for any associated schedulable.

*IllegalAssignmentError* when `deadline` cannot be stored in `this`.

Sets the deadline value.

If this parameter object is associated with any schedulable object (by being passed through the schedulable's constructor or set with a method such as `Real-timeThread.setReleaseParameters(ReleaseParameters)`<sup>102</sup>) the deadline of those schedulables is altered as specified by each schedulable's respective scheduler.

**setDeadlineMissHandler(AsyncEventHandler)***Signature*

```
public
void setDeadlineMissHandler(AsyncEventHandler handler)
```

*Parameters*

*handler* This handler is invoked if any release of the schedulable fails to complete before the deadline passes. Although minimum implementations do not consider deadlines in feasibility calculations, they must recognize variable deadlines and invoke the miss handler as appropriate. A `null` value of `handler` signifies that no deadline miss handler should be used.

*Throws*

*IllegalAssignmentError* when `handler` cannot be stored in `this`.

Sets the deadline miss handler.

If this parameter object is associated with any schedulable object (by being passed through the schedulable's constructor or set with a method such as `Real-timeThread.setReleaseParameters(ReleaseParameters)`<sup>103</sup>) the deadline miss handler of those schedulables is altered as specified by each schedulable's respective scheduler.

---

<sup>102</sup>Section 5.3.2.2.2

<sup>103</sup>Section 5.3.2.2.2

### 6.4.2.9 Scheduler

---

#### Inheritance

```
java.lang.Object
  javax.realtime.Scheduler
```

An instance of `Scheduler` manages the execution of schedulables.

Subclasses of `Scheduler` are used for alternative scheduling policies and should define an `instance()` class method to return the default instance of the subclass. The name of the subclass should be descriptive of the policy, allowing applications to deduce the policy available for the scheduler obtained via `Scheduler.getDefaultScheduler`<sup>104</sup> (e.g., `EDFScheduler`).

#### 6.4.2.9.1 Constructors

---

### Scheduler

#### *Signature*

```
protected
  Scheduler()
```

Create an instance of `Scheduler`.

#### 6.4.2.9.2 Methods

---

### getDefaultScheduler

#### *Signature*

```
public static
  javax.realtime.Scheduler getDefaultScheduler()
```

#### *Returns*

A reference to the default scheduler.

Gets a reference to the default scheduler.

---

<sup>104</sup>Section 6.4.2.9.2

## setDefaultScheduler(Scheduler)

### Signature

```
public static
void setDefaultScheduler(Scheduler scheduler)
```

### Parameters

*scheduler* The `Scheduler` that becomes the default scheduler assigned to new schedulables created by Java threads. If `null` nothing happens.

### Throws

*SecurityException* when the caller is not permitted to set the default scheduler. Sets the default scheduler. This is the scheduler given to instances of schedulables when they are constructed by a Java thread. The default scheduler is set to the required `PriorityScheduler`<sup>105</sup> at startup.

## fireSchedulable(Schedulable)

### Signature

```
public abstract
void fireSchedulable(Schedulable schedulable)
```

### Parameters

*schedulable* The schedulable to make active. When `null`, nothing happens.

### Throws

*UnsupportedOperationException* when the scheduler cannot release schedulable for execution.

Trigger the execution of a schedulable (like an `AsyncEventHandler`<sup>106</sup>).

## getPolicyName

### Signature

```
public abstract
java.lang.String getPolicyName()
```

### Returns

A **name** object which is the name of the scheduling policy used by **this**. Gets a string representing the policy of **this**. The string value need not be interned, but it must be created in a memory area that does not cause an illegal assignment error if stored in the current allocation context and does not cause a `MemoryAccessError`<sup>107</sup> when accessed.

---

<sup>105</sup>Section 6.4.2.6

<sup>106</sup>Section 8.4.3.5

<sup>107</sup>Section 14.2.3.4

## inSchedulableExecutionContext

### Signature

```
public static
boolean inSchedulableExecutionContext()
```

### Returns

true when yes and false otherwise.

Determine whether the current calling context is a [Schedulable](#)<sup>108</sup>: [Realtime-Thread](#)<sup>109</sup> or [AbstractAsyncEventHandler](#)<sup>110</sup>.

Available since RTSJ version RTSJ 2.0

## getCurrentSchedulable

### Signature

```
public static
javax.realtime.Schedulable getCurrentSchedulable()
```

### Throws

*ClassCastException* when the caller is not a [Schedulable](#)<sup>111</sup>

### Returns

the current [Schedulable](#)<sup>112</sup>.

Get the current execution context when called from a [Schedulable](#)<sup>113</sup> execution context.

Available since RTSJ version RTSJ 2.0

### 6.4.2.10 SchedulingParameters

---

#### Inheritance

```
java.lang.Object
  javax.realtime.SchedulingParameters
```

#### Interfaces

---

<sup>108</sup>Section [6.4.1.2](#)

<sup>109</sup>Section [5.3.2.2](#)

<sup>110</sup>Section [8.4.3.2](#)

<sup>111</sup>Section [6.4.1.2](#)

<sup>112</sup>Section [6.4.1.2](#)

<sup>113</sup>Section [6.4.1.2](#)

Cloneable  
Serializable

Subclasses of `SchedulingParameters` (`PriorityParameters`<sup>114</sup>, `ImportanceParameters`<sup>115</sup>, and any others defined for particular schedulers) provide the parameters to be used by the `Scheduler`<sup>116</sup>. Changes to the values in a parameters object affects the scheduling behavior of all the `Schedulable`<sup>117</sup> objects to which it is bound.

**Caution:** Subclasses of this class are explicitly unsafe in multithreaded situations when they are being changed. No synchronization is done. It is assumed that users of this class who are mutating instances will be doing their own synchronization at a higher level.

#### 6.4.2.10.1 Fields

---

```
serialVersionUID
    private static final serialVersionUID
```

#### 6.4.2.10.2 Constructors

---

## SchedulingParameters

*Signature*

```
protected
    SchedulingParameters()
```

Create a new instance of `SchedulingParameters`.

**Available since RTSJ version RTSJ 1.0.1**

---

<sup>114</sup>Section 6.4.2.5

<sup>115</sup>Section 6.4.2.3

<sup>116</sup>Section 6.4.2.9

<sup>117</sup>Section 6.4.1.2

### 6.4.2.10.3 Methods

---

#### clone

##### *Signature*

```
public
java.lang.Object clone()
```

Return a clone of `this`. This method should behave effectively as if it constructed a new object with clones of the high-resolution time values of `this`.

- The new object is in the current allocation context.
- `clone` does not copy any associations from `this` and it does not implicitly bind the new object to a SO.
- The new object has clones of all high-resolution time values (deep copy).
- References to event handlers are copied (shallow copy.)

Available since RTSJ version RTSJ 1.0.1

### 6.4.2.11 SporadicParameters

---

#### Inheritance

```
java.lang.Object
  javax.realtime.ReleaseParameters
    javax.realtime.AperiodicParameters
      javax.realtime.SporadicParameters
```

A notice to the scheduler that the associated schedulable's run method will be released aperiodically but with a minimum time between releases.

When a reference to a `SporadicParameters` object is given as a parameter to a schedulable's constructor or passed as an argument to one of the schedulable's setter methods, the `SporadicParameters` object becomes the release parameters object bound to that schedulable. Changes to the values in the `SporadicParameters` object affect that schedulable object. If bound to more than one schedulable then changes to the values in the `SporadicParameters` object affect *all* of the associated objects. Note that this is a one-to-many relationship and *not* a many-to-many.

The implementation must use modified copy semantics for each `HighResolutionTime`<sup>118</sup> parameter value. The value of each time object should be treated as if

---

<sup>118</sup>Section 9.4.1.2

it were copied at the time it is passed to the parameter object, but the object reference must also be retained. Only changes to a `SporadicParameters` object caused by methods on that object cause the change to propagate to all schedulables using the parameter object. For instance, calling `setCost` on a `SporadicParameters` object will make the change, then notify that the scheduler that the parameter object has changed. At that point the object is reconsidered for every SO that uses it. Invoking a method on the `RelativeTime` object that is the cost for this object may change the cost but it does not pass the change to the scheduler at that time. That change must not change the behavior of the SOs that use the parameter object until a setter method on the `SporadicParameters` object is invoked, or the parameter object is used in `setReleaseParameters()` or a constructor for an SO.

**Caution:** This class is explicitly unsafe in multithreaded situations when it is being changed. No synchronization is done. It is assumed that users of this class who are mutating instances will be doing their own synchronization at a higher level.

This class allows the application to specify one of four possible behaviors that indicate what to do if an arrival occurs that is closer in time to the previous arrival than the value given in this class as minimum interarrival time, what to do if, for any reason, the queue overflows, and the initial size of the queue.

Attribute	Value
minInterarrival time	No default. A value must be supplied
cost	new <code>RelativeTime(0,0)</code>
deadline	new <code>RelativeTime(mit)</code>
overrunHandler	None
missHandler	None
MIT violation policy	SAVE
Arrival queue overflow policy	SAVE
Initial arrival queue length	0

#### 6.4.2.11.1 Fields

---

##### `mitViolationExcept`

```
public static final mitViolationExcept
```

Represents the “EXCEPT” policy for dealing with minimum interarrival time violations. Under this policy, if an arrival time for any instance of `Schedulable`<sup>119</sup>

---

<sup>119</sup>Section 6.4.1.2

which has `this` as its instance of `ReleaseParameters`<sup>120</sup> occurs at a time less than the minimum interarrival time defined here then the `fire()` method shall throw `MITViolationException`<sup>121</sup>. Any other associated semantics are governed by the schedulers for the schedulables using these sporadic parameters. If the arrival time is a result of a happening to which the instance of `AsyncEventHandler`<sup>122</sup> is bound then the arrival time is ignored.

### **mitViolationIgnore**

```
public static final mitViolationIgnore
```

Represents the “IGNORE” policy for dealing with minimum interarrival time violations. Under this policy, if an arrival time for any instance of `Schedulable`<sup>123</sup> which has `this` as its instance of `ReleaseParameters`<sup>124</sup> occurs at a time less than the minimum interarrival time defined here then the new arrival time is ignored. Any other associated semantics are governed by the schedulers for the schedulables using these sporadic parameters.

### **mitViolationSave**

```
public static final mitViolationSave
```

Represents the “SAVE” policy for dealing with minimum interarrival time violations. Under this policy the arrival time for any instance of `Schedulable`<sup>125</sup> which has `this` as its instance of `ReleaseParameters`<sup>126</sup> is not compared to the specified minimum interarrival time. Any other associated semantics are governed by the schedulers for the schedulable objects using these sporadic parameters.

### **mitViolationReplace**

```
public static final mitViolationReplace
```

Represents the “REPLACE” policy for dealing with minimum interarrival time violations. Under this policy if an arrival time for any instance of `Schedulable`<sup>127</sup> which has `this` as its instance of `ReleaseParameters`<sup>128</sup> occurs at a time less than the minimum interarrival time defined here then the information for this arrival replaces a previous arrival. Any other associated semantics are governed by the schedulers for the schedulables using these sporadic parameters.

---

<sup>120</sup>Section 6.4.2.8

<sup>121</sup>Section 14.2.2.8

<sup>122</sup>Section 8.4.3.5

<sup>123</sup>Section 6.4.1.2

<sup>124</sup>Section 6.4.2.8

<sup>125</sup>Section 6.4.1.2

<sup>126</sup>Section 6.4.2.8

<sup>127</sup>Section 6.4.1.2

<sup>128</sup>Section 6.4.2.8



#### 6.4.2.11.2 Constructors

---

### **SporadicParameters(RelativeTime)**

*Signature*

```
public  
    SporadicParameters(RelativeTime minInterarrival)
```

Create a `SporadicParameters` object. This constructor is equivalent to:  
`SporadicParameters(minInterarrival, null, null, null, null, null)`

Available since RTSJ version RTSJ 1.0.1

### **SporadicParameters(RelativeTime, RelativeTime)**

*Signature*

```
public  
    SporadicParameters(RelativeTime minInterarrival, RelativeTime deadline)
```

Create a `SporadicParameters` object. This constructor is equivalent to:  
`SporadicParameters(minInterarrival, null, null, null, null, null)`

Available since RTSJ version RTSJ 2.0

### **SporadicParameters(RelativeTime, RelativeTime, AsyncEvent-Handler)**

*Signature*

```
public  
    SporadicParameters(RelativeTime minInterarrival, RelativeTime deadline, AsyncEvent-Handler handler)
```

Create a `SporadicParameters` object. This constructor is equivalent to:  
`SporadicParameters(minInterarrival, null, deadline, null, missHandler)`

Available since RTSJ version RTSJ 2.0

## **SporadicParameters(RelativeTime, RelativeTime, RelativeTime, AsyncEventHandler, AsyncEventHandler)**

### *Signature*

```
public
    SporadicParameters(RelativeTime minInterarrival, RelativeTime cost, Rel
```

### *Parameters*

*minInterarrival* The release times of the schedulable will occur no closer than this interval. This time object is treated as if it were copied. Changes to `minInterarrival` will not effect the `SporadicParameters` object. There is no default value. If `minInterarrival` is `null` an illegal argument exception is thrown.

*cost* Processing time per release. On implementations which can measure the amount of time a schedulable is executed, this value is the maximum amount of time a schedulable receives per release. If `null`, the default value is a new instance of `RelativeTime(0,0)`.

*deadline* The latest permissible completion time measured from the release time of the associated invocation of the schedulable. For a minimum implementation for purposes of feasibility analysis, the deadline is equal to the minimum interarrival interval. Other implementations may use this parameter to compute execution eligibility. If `null`, the default value is a new instance of `RelativeTime(mit)`.

*overrunHandler* This handler is invoked if an invocation of the schedulable exceeds `cost`. Not required for minimum implementation. If `null` no overrun handler will be used.

*missHandler* This handler is invoked if the `run()` method of the schedulable is still executing after the deadline has passed. Although minimum implementations do not consider deadlines in feasibility calculations, they must recognize variable deadlines and invoke the miss handler as appropriate. If `null`, no deadline miss handler will be used.

### *Throws*

*IllegalArgumentExcepcion* when `minInterarrival` is `null` or its time value is not greater than zero, or the time value of `cost` is less than zero, or the time

value of `deadline` is not greater than zero, or if the clocks associated with `deadline` and `minInterarrival` parameters are not identical.

*IllegalAssignmentError* when `minInterarrival`, `cost`, `deadline`, `overrunHandler` or `missHandler` cannot be stored in this.

Create a `SporadicParameters` object.

Available since RTSJ version RTSJ 2.0

### 6.4.2.11.3 Methods

---

#### **setMitViolationBehavior(String)**

*Signature*

```
public
void setMitViolationBehavior(String behavior)
```

*Parameters*

*behavior* A string representing the behavior.

*Throws*

*IllegalArgumentException* when `behavior` is not one of the `final` MIT violation behavior values defined in this class.

Sets the behavior of the arrival time queue in the case where the new arrival time is closer to the previous arrival time than the minimum interarrival time given in this.

Values of `behavior` are compared using reference equality (`==`) not value equality (`equals()`).

#### **getMitViolationBehavior**

*Signature*

```
public
java.lang.String getMitViolationBehavior()
```

*Returns*

The minimum interarrival time violation behavior as a string.

Gets the arrival time queue behavior in the event of a minimum interarrival time violation.

#### **getMinimumInterarrival**

*Signature*

```
public
    javax.realtime.RelativeTime getMinimumInterarrival()
```

*Returns*

The minimum interarrival time.

Gets the minimum interarrival time.

## **setMinimumInterarrival(RelativeTime)**

*Signature*

```
public
    void setMinimumInterarrival(RelativeTime minimum)
```

*Parameters*

*minimum* The release times of the schedulable will occur no closer than this interval.

*Throws*

*IllegalArgumentException* when *minimum* is null or its time value is not greater than zero.

*IllegalAssignmentError* when *minimum* cannot be stored in *this*.

Set the minimum interarrival time.

## **6.5 Rationale**

As specified, the required semantics of this section establish a scheduling policy that is very similar to the scheduling policies found on the vast majority of realtime operating systems and kernels in commercial use today. The semantics for the base scheduler accommodate existing practice, which is a stated goal of the effort.

There is an important division between priority schedulers that force periodic context switching between tasks at the same priority, and those that do not cause these context switches. By not specifying time slicing[1] behavior this specification calls for the latter type of priority scheduler. In POSIX terms, `SCHED_FIFO` meets the RTSJ requirements for the base scheduler, but `SCHED_RR` does not meet those requirements.

Although a system may not implement the first release (start) of a schedulable as unblocking that schedulable, under the base scheduler those semantics apply; i.e., the schedulable is added to the tail of the queue for its active priority.

Some research shows that, given a set of reasonable common assumptions, 32 distinct priority levels are a reasonable choice for close-to-optimal scheduling efficiency when using the rate-monotonic priority assignment algorithm on a single processor system (256 priority levels provide better efficiency). This specification requires at

least 28 distinct priority levels as a compromise noting that implementations of this specification will exist on systems with logic executing outside of the Java Virtual Machine and may need priorities above, below, or both for system activities.

The default behavior for implementations that support cost monitoring and enforcement is that a schedulable receives no more than `cost` units of CPU time during each release. The programmer must explicitly change the cost attribute to override the scheduler. The RTSJ allows schedulables to self suspend during a release, in addition to that which might be necessary to acquire a lock. These self suspensions must be time bounded. Any self suspension which is not time bounded may undermine the cost enforcement model specified in this document, as it may result in a schedulable suspending beyond its next release event. This can result in more time being allocated than any associated schedulability analysis might assume. See Dos Santos and Wellings for a full discussion on the problem [4].

Cost enforcement may be deferred while the overrun schedulable holds locks that are out of application control, such as locks used to protect garbage collection. Applications should include the resulting jitter in any analysis that depends on cost enforcement.

When a schedulable is enforced because of cost overrun in a processing group the enforced priority is used for scheduling instead of the schedulable's base priority. The enforced priority's application is limited. The enforced priority is not returned as the schedulable's priority from methods such as `getPriority()`, and the semantics of the active priority continue to operate when a schedulable is enforced.

### 6.5.1 Multiprocessor Support

The support that the RTSJ provides for multiprocessor systems is primarily constrained by the support it can expect from the underlying operating system. The following have had the most impact on the level of support that has been specified.

- The notion of processor *affinity* is common across operating systems and has become the accepted way to specify the constraints on which processor a thread can execute. In some sense, processor affinities can be viewed as additional release or scheduling parameters. However, to add them to the parameter classes requires the support to be distributed throughout the specification with a proliferation of new constructor methods. To avoid this, support is grouped together within the `Affinity` class. The class also provides the addition of processor affinity support to Java threads without modifying the thread object's visible API.
- The range of processors on which global scheduling is possible is dictated by the operating system. For SMP architectures, global scheduling across all the processors in the system is typically supported. However, an application and an operator can constrain threads and processes to execute only within a

subset of the processors. As the number of processors increase, the scalability of global scheduling is called into question. Hence, for NUMA architectures some partitioning of the processors is likely to be performed by the OS. Hence, global scheduling across all processors will not be possible in these systems. For these reasons, the RTSJ supports an array of *predefined* affinities. These are implementation-defined. They can be used either to reflect the scheduling arrangement of the underlying OS or they can be used by the system designer to impose defaults for, say, Java threads, non-heap realtime schedulables etc. A program is only allowed to dynamically create new affinities with cardinality of one. This restriction reflects the concern that not all operating systems will support multiprocessor affinities.

- Many OSs give system operators command-level dynamic control over the set of processors allocated to a processes. Consequently, the realtime JVM has no control over whether processors are dynamically added or removed from its OS process. Predictability is a prime concern of the RTSJ. Clearly, dynamic changes to the allocated processors will have a dramatic, and possibly catastrophic, effect on the ability of the program to meet timing requirements. Hence, the RTSJ assumes that the processor set allocated to the RTSJ process does not change during its execution. If a system is capable of such manipulations, it should not exercise in on RTSJ processes

### 6.5.2 Impact of Clock Granularity

All time-triggered computation can suffer from release jitter. This is defined to be the variation in the actual time the computation becomes available for execution from its scheduled release time. The amount of release jitter depends on two factors. The first is the granularity of the clock/timer used to trigger the release. For example, a periodic event handler that is due to be released at absolute time  $T$  will actually be release at time  $T + \delta$ .  $\delta$  is the difference between  $T$  and the first time the timer clock advances to  $T_0$ , where  $T_0 \geq T$ . The upper bound of  $\delta$  is the value returned from calling the `getResolution` method of the associated clock. It is for this reason that the implementation of release times for periodic activities must use absolute rather than relative time values, in order to avoid the drift accumulating.

The second contribution to release jitter is also related to the clock/timer. It is the duration of interval between  $T_0$  being signaled by the clock/timer and the time this event is noticed by the underlying operating system or platform (perhaps because interrupts have been disabled). A compliant implementation of SCJ should document the maximum value of  $\delta$  for the realtime clock.

### 6.5.3 Deadline Miss Detection

Although RTSJ supports deadline miss detection, it is important to understand the intrinsic limitations of the facility. The SCJ facility is supported using a time-triggered event. All time-triggered computation can suffer from release jitter. Hence, any deadline miss handler may not be released until sometime after the deadline has expired. The handlers actual execution will depend on its priority relative to other schedulables.

A related limitation is that a deadline can be missed but not detected. This can occur when the deadline has been set at a smaller granularity than the detecting timer. Consider an absolute deadline of  $D$ . Suppose that the next absolute time that the timer can recognize is  $D + \delta$ . If the associate thread finishes after  $D$  but before  $D + \delta$ , it will have missed its deadline, but this miss will have been undetected.

A third limitation is due to the inherent race condition that is present when checking for deadline misses. A deadline miss is defined to occur if an SO has not completed the computation associated with its release before its deadline. This completion event is signalled in the application code by the return of the `handleAsyncEvent` method or a call to `waitForNextPeriod` etc. When this occurs, the infrastructure reschedules/cancels the timing event that signals the miss of a deadline. This is clearly a race condition. The timer event could fire between the last statement the completion event and the rescheduling/canceling of the timer event. Hence a deadline miss could be signalled when arguably the application had performed all of its computation.





# Chapter 7

## Synchronization

(Updated by Andy 8 Feb, 2012)

### 7.1 Overview

This section describes classes that specifically manage synchronization. These classes:

- Allow the setting of a priority inversion control policy either as the default or for specific objects
- Allow wait-free communication between schedulables (especially instances of `NoHeapRealtimeThread`) and regular Java threads.

This specification strengthens the semantics of Java `synchronized` code by mandating monitor execution eligibility control, commonly referred to as priority inversion control. The `MonitorControl` class is defined as the superclass of all such execution eligibility control algorithms. Its subclasses `PriorityInheritance` (required) and `PriorityCeilingEmulation` (optional) avoid unbounded priority inversions, which would be unacceptable in realtime systems.

The classes in this section establish a framework for priority inversion management that applies to priority-oriented schedulers in general, and a specific set of requirements for the base priority scheduler.

The wait-free queue classes provide safe, concurrent access to data shared between instances of `NoHeapRealtimeThread` and schedulable objects subject to garbage collection delays.

### 7.2 Semantics

This list establishes the semantics that are applicable across the classes of this section. Semantics that apply to particular classes, constructors, methods, and

fields will be found in the class description and the constructor, method, and field detail sections.

- Terminology: If an object `obj` has been assigned (either by default or via an explicit method call) the `MonitorControlPolicy` `mcp`, then `obj` is said to be *governed by mcp*.
- The initial default monitor control policy shall be `PriorityInheritance`. The default policy can be altered by using the `setMonitorControl()` method.
- Notwithstanding the preceding rule, an RTSJ implementation may allow the program to establish a different initial default monitor control policy at JVM startup. The program can query the initial default monitor control policy via the method `RealtimeSystem.getInitialMonitorControl`.
- The `PriorityCeilingEmulation` monitor control policy is optional, since it is not widely supported by current RTOSes.
- An implementation that provides any additional `MonitorControl` subclasses must document their effects, particularly with respect to priority inversion control. X
- An object's monitor control policy affects *any* entity that attempts to lock the object; i.e., regular Java threads as well as schedulables.
- When a thread or schedulable enters synchronized code, the target object's monitor control policy must be supported by the thread or schedulable's scheduler; otherwise an `IllegalThreadStateException` is thrown. An implementation that defines a new `MonitorControl` subclass must document which (if any) schedulers do not support this policy.

### 7.2.1 The Base Priority Scheduler

The following list defines the main terms and establishes the general semantics that apply to threads and schedulables managed by the base priority scheduler when they synchronize on objects governed by monitor control policies defined in this section.

- Each thread or schedulable has a *base priority* and an *active priority*. A thread or schedulable that holds a lock on a PCE-governed object also has a *ceiling priority*.
- The *base priority* for a thread or schedulable `t` is initially the priority that `t` has when it is created. The base priority is updated (immediately) as an effect of invoking any of the following methods:
  - `pparams.setPriority(prio)` if `t` is a schedulable with `pparams` as its `SchedulingParameters`, where `pparams` is an instance of `PriorityParameters`; the new base priority is `prio`
  - `t.setSchedulingParameters(pparams)` if `t` is a schedulable and `pparams` is an instance of `PriorityParameters`; the new base priority is `pparams.getPriority()`

- `t.setPriority(prio)` if `t` is a schedulable object, the new base priority is `prio`. If it is a Java thread, the new base priority is the lesser of `prio`, and the maximum priority for `t`'s thread group.
- When `t` does not hold any locks, its active priority is the same as its base priority. In such a situation modification of the priority of `t` through an invocation of any of the above priority-setting methods for `t` causes `t` to be placed at the tail of its relevant queue (ready, blocked on a particular object, etc.) at its new priority.
- When `t` holds one or more locks, then `t` has a set of *priority sources*. The *active priority* for `t` at any point in time is the maximum of the priorities associated with all of these sources. The priority sources resulting from the monitor control policies defined in this section, and their associated priorities for a schedulable `t`, are as follows:
  - *Source*: `t` itself *Associated priority*: The base priority for `t` *Note*: This may have been changed (either synchronously or asynchronously) while `t` has been holding its lock(s).
  - *Source*: Each object locked by `t` and governed by a `PriorityCeilingEmulation` policy *Associated priority*: The maximum value `ceil` such that `ceil` is the ceiling for a `PriorityCeilingEmulation` policy governing an object locked by `t`. This value is also referred to as the *ceiling priority* for `t`.
  - *Source*: Each thread or schedulable that is attempting to synchronize on an object locked by `t` and governed by a `PriorityInheritance` policy *Associated priority*: The maximum active priority over all such threads and schedulables *Note*: This rule accounts for recursive priority inheritance.
  - *Source*: Each thread or schedulable that is attempting to synchronize on an object locked by `t` and governed by a `PriorityCeilingEmulation` policy. *Associated priority*: The maximum active priority over all such threads and schedulables *Note*: This rule, which in effect allows a `PriorityCeilingEmulation` lock to behave like a `PriorityInheritance` lock, helps avoid unbounded priority inversions that could otherwise occur in the presence of nested synchronizations involving a mix of `PriorityCeilingEmulation` and `PriorityInheritance` policies.
- The addition of a priority source for `t` either leaves `t`'s active priority unchanged, or increases it. If `t`'s active priority is unchanged, then `t`'s status in its relevant queue(s) (e.g. blocked waiting for some object) is not affected. If `t`'s active priority is increased, then `t` is placed at the tail of the relevant queue(s) at its new active priority level.
- The removal of a priority source for `t` either leaves `t`'s active priority un-

changed, or decreases it. If  $\tau$ 's active priority is unchanged, then  $\tau$ 's status in its relevant queue(s) (e.g. blocked waiting for some object) is not affected. If  $\tau$ 's active priority is decreased and  $\tau$  is either ready or running, then  $\tau$  must be placed at the head of the ready queue(s) at its new active priority level, if the implementation is supporting `PriorityCeilingEmulation`. If the implementation is not supporting `PriorityCeilingEmulation` then  $\tau$  should be placed at the head of the ready queue(s) at its new active priority (Note the "should": this behavior is optional.) If `PriorityCeilingEmulation` is not supported, the implementation must document the queue placement effect. If  $\tau$ 's active priority is decreased and  $\tau$  is blocked, then  $\tau$  is placed in the corresponding queue(s) at its new active priority level. Its position in the queue(s) is implementation defined, but placement at the tail is recommended.

The above rules have the following consequences:

- A thread or schedulable  $\tau$ 's priority sources from 4.b are added and removed synchronously; i.e., they are established based on  $\tau$ 's entering or leaving synchronized code. However, priority sources from 4.a, 4.c and 4.d may be added and removed asynchronously, as an effect of actions by other threads or schedulables.
- If a thread or schedulable holds only one lock then, when it releases this lock, its active priority is set to its base priority.
- A thread or schedulable's active priority is never less than its base priority.
- When a thread or schedulable blocks at a call of `obj.wait()` it releases the lock on `obj` and hence relinquishes the priority source(s) based on `obj`'s monitor control policy. The thread or schedulable will be queued at a new active priority that reflects the loss of these priority sources.

Since base priorities may be shared (i.e., the same `PriorityParameters` object may be associated with multiple schedulables), a given base priority may be the active priority for some but not all of its associated schedulables. It is a consequence of other rules that, when a thread or schedulable  $\tau$  attempts to synchronize on an object `obj` governed by a `PriorityCeilingEmulation` policy with ceiling `ceil`, then  $\tau$ 's active priority may exceed `ceil` but  $\tau$ 's base priority must not. In contrast, once  $\tau$  has successfully synchronized on `obj` then  $\tau$ 's base priority may also exceed `obj`'s monitor control policy's ceiling. Note that  $\tau$ 's base priority and/or `obj`'s monitor control policy may have been dynamically modified.

## 7.2.2 Additional Schedulers

The following list establishes the semantics that apply to threads or schedulables managed by a scheduler other than the base priority scheduler when they synchronize on objects with monitor control policies defined in this section.

- An implementation that defines a new `Scheduler` subclass must document which (if any) monitor control policies the new scheduler does not support.
- An implementation must document how, if at all, the semantics of synchronization differ from the rules defined for the default `PriorityInheritance` instance. It must supply documentation for the behavior of the new scheduler with priority inheritance (and, if it is supported, priority ceiling emulation protocol) equivalent to the semantics for the default priority scheduler found in the previous section.

## 7.3 Package javax.realtime

### 7.3.1 Classes

#### 7.3.1.1 MonitorControl

---

##### Inheritance

java.lang.Object  
    javax.realtime.MonitorControl

Abstract superclass for all monitor control policy objects.

#### 7.3.1.1.1 Constructors

---

### MonitorControl

#### *Signature*

```
protected  
    MonitorControl()
```

Invoked from subclass constructors.

#### 7.3.1.1.2 Methods

---

### getMonitorControl(Object)

#### *Signature*

```
public static  
    javax.realtime.MonitorControl getMonitorControl(Object obj)
```

#### *Parameters*

*obj* The object being queried.

#### *Throws*

*IllegalArgumentException* when *obj* is `null`.

#### *Returns*

The monitor control policy of the `obj` parameter.  
Gets the monitor control policy of the given instance of `Object`.

## getMonitorControl

### Signature

```
public static
    javax.realtime.MonitorControl getMonitorControl()
```

### Returns

The default monitor control policy object.  
Gets the current default monitor control policy.

## setMonitorControl(MonitorControl)

### Signature

```
public static
    javax.realtime.MonitorControl setMonitorControl(MonitorControl
    policy)
```

### Parameters

*policy* The new monitor control policy. If `null` nothing happens.

### Throws

*SecurityException* when the caller is not permitted to alter the default monitor control policy.

*IllegalArgumentException* when *policy* is not in immortal memory.

*UnsupportedOperationException* when *policy* is not a supported monitor control policy.

### Returns

The default `MonitorControl` policy that was replaced.

Sets the *default monitor control policy*. This policy does not affect the monitor control policy of any already created object, it will, however, govern any object subsequently constructed, until either:

1. a new "per-object" policy is set for that object. This will alter the monitor control policy for a single object without changing the default policy.
2. a new default policy is set.

Like the per-object method (see `setMonitorControl(Object, MonitorControl)`<sup>1</sup>, the setting of the default monitor control policy occurs immediately.

**Available since RTSJ version RTSJ 1.0.1** The return type is changed from

---

<sup>1</sup>Section [7.3.1.1.2](#)

**void** to `MonitorControl`.

## **setMonitorControl(Object, MonitorControl)**

### *Signature*

```
public static
    javax.realtime.MonitorControl setMonitorControl(Object obj,
    MonitorControl policy)
```

### *Parameters*

*obj* The object that will be governed by the new policy.

*policy* The new policy for the object. If `null` nothing will happen.

### *Throws*

*IllegalArgumentException* Thrown when *obj* is `null` or *policy* is not in immortal memory.

*UnsupportedOperationException* when *policy* is not a supported monitor control policy.

*IllegalMonitorStateException* when the caller does not hold a lock on *obj*.

### *Returns*

The current `MonitorControl` policy for *obj*, which will be replaced.

Immediately sets *policy* as the monitor control policy for *obj*.

A thread or schedulable that is queued for the lock associated with *obj*, or is in *obj*'s wait set, is not rechecked (e.g., for a `CeilingViolationException`) under *policy*, either as part of the execution of `setMonitorControl` or when it is awakened to (re)acquire the lock.

The thread or schedulable invoking `setMonitorControl` must already hold the lock on *obj*.

**Available since RTSJ version RTSJ 1.0.1** The return type is changed from **void** to `MonitorControl`.

### **7.3.1.2 PriorityCeilingEmulation**

---

#### **Inheritance**

```
java.lang.Object
  javax.realtime.MonitorControl
    javax.realtime.PriorityCeilingEmulation
```



Monitor control class specifying the use of the priority ceiling emulation protocol (also known as the "highest lockers" protocol). Each `PriorityCeilingEmulation` instance is immutable; it has an associated *ceiling*, initialized at construction and queryable but not updatable thereafter.

If a thread or schedulable synchronizes on a target object governed by a `PriorityCeilingEmulation` policy, then the target object becomes a priority source for the thread or schedulable object. When the object is unlocked, it ceases serving as a priority source for the thread or schedulable. The practical effect of this rule is that the thread or schedulable's active priority is boosted to the policy's ceiling when the object is locked, and is reset when the object is unlocked. The value that it is reset to may or may not be the same as the active priority it held when the object was locked; this depends on other factors (e.g. whether the thread or schedulable's base priority was changed in the interim).

The implementation must perform the following checks when a thread or schedulable `t` attempts to synchronize on a target object governed by a `PriorityCeilingEmulation` policy with ceiling `ceil`:

- `t`'s base priority does not exceed `ceil`
- `t`'s ceiling priority (if `t` is holding any other `PriorityCeilingEmulation` locks) does not exceed `ceil`.

Thus for any object `targetObj` that will be governed by priority ceiling emulation, the programmer needs to provide (via `MonitorControl.setMonitorControl(Object, MonitorControl)`<sup>2</sup>) a `PriorityCeilingEmulation` policy whose ceiling is at least as high as the maximum of the following values:

- the highest base priority of any thread or schedulable that could synchronize on `targetObj`
- the maximum ceiling priority value that any thread or schedulable object could have when it attempts to synchronize on `targetObj`.

More formally:

- If a thread or schedulable `t` whose base priority is `p1` attempts to synchronize on an object governed by a `PriorityCeilingEmulation` policy with ceiling `p2`, where `p1 > p2`, then a `CeilingViolationException` is thrown in `t`. A `CeilingViolationException` is likewise thrown in `t` if `t` is holding a `PriorityCeilingEmulation` lock and has a ceiling priority exceeding `p2`.

The values of `p1` and `p2` are passed to the constructor for the exception and may be queried by an exception handler.

A consequence of the above rule is that a thread or schedulable may nest synchronizations on `PriorityCeilingEmulation`-governed objects as long as the ceiling for the inner lock is not less than the ceiling for the outer lock.

---

<sup>2</sup>Section 7.3.1.1.2

The possibility of nested synchronizations on objects governed by a mix of `PriorityInheritance` and `PriorityCeilingEmulation` policies requires one other piece of behavior in order to avoid unbounded priority inversions. If a thread or schedulable holds a `PriorityInheritance` lock, then any `PriorityCeilingEmulation` lock that it either holds or attempts to acquire will exhibit priority inheritance characteristics. This rule is captured above in the definition of priority sources (4.d).

When a thread or schedulable `t` attempts to synchronize on a `PriorityCeilingEmulation`-governed object with ceiling `ceil`, then `ceil` must be within the priority range allowed by `t`'s scheduler; otherwise, an `IllegalThreadStateException` is thrown. Note that this does not prevent a regular Java thread from synchronizing on an object governed by a `PriorityCeilingEmulation` policy with a ceiling higher than 10.

The priority ceiling for an object `obj` can be modified by invoking `MonitorControl.setMonitorControl(obj, newPCE)` where `newPCE`'s ceiling has the desired value.

See also [MonitorControl](#)<sup>3</sup> [PriorityInheritance](#)<sup>4</sup>, and [CeilingViolationException](#)<sup>5</sup>.

#### 7.3.1.2.1 Constructors

---

### PriorityCeilingEmulation

*Signature*

```
private
    PriorityCeilingEmulation()
```

#### 7.3.1.2.2 Methods

---

### instance(int)

*Signature*

---

<sup>3</sup>Section [7.3.1.1](#)

<sup>4</sup>Section [7.3.1.3](#)

<sup>5</sup>Section [14.2.2.2](#)

```
public static
    javax.realtime.PriorityCeilingEmulation instance(int ceiling)
```

*Parameters*

*ceiling* Priority ceiling value.

*Throws*

*IllegalArgumentException* when *ceiling* is outside of the range of permitted priority values (e.g., less than `PriorityScheduler.instance().getMinPriority()` or greater than `PriorityScheduler.instance().getMaxPriority()` for the base scheduler).

Return a `PriorityCeilingEmulation` object with the specified ceiling. This object is in `ImmortalMemory`. All invocations with the same ceiling value return a reference to the same object.

**Available since RTSJ version RTSJ 1.0.1**

## getCeiling

*Signature*

```
public
    int getCeiling()
```

*Returns*

The priority ceiling.

Gets the priority ceiling for this `PriorityCeilingEmulation` object.

**Available since RTSJ version RTSJ 1.0.1**

## getMaxCeiling

*Signature*

```
public static
    javax.realtime.PriorityCeilingEmulation getMaxCeiling()
```

*Returns*

A `PriorityCeilingEmulation` object whose ceiling is `PriorityScheduler.instance().getMaxPriority()`. Gets a `PriorityCeilingEmulation` object whose ceiling is `PriorityScheduler.instance().getMaxPriority()`. This method returns a reference to a `PriorityCeilingEmulation` object allocated in immortal memory. All invocations of this method return a reference to the same object.

Available since RTSJ version RTSJ 1.0.1

### 7.3.1.3 PriorityInheritance

---

#### Inheritance

```
java.lang.Object
  javax.realtime.MonitorControl
  javax.realtime.PriorityInheritance
```

Singleton class specifying use of the priority inheritance protocol. If a thread or schedulable  $t_1$  attempts to enter code that is synchronized on an object  $obj$  governed by this protocol, and  $obj$  is currently locked by a lower-priority thread or schedulable  $t_2$ , then

1. If  $t_1$ 's active priority does not exceed the maximum priority allowed by  $t_2$ 's scheduler, then  $t_1$  becomes a priority source for  $t_2$ ;  $t_1$  ceases to serve as a priority source for  $t_2$  when either  $t_2$  releases the lock on  $obj$ , or  $t_1$  ceases attempting to synchronize on  $obj$  (e.g., when  $t_1$  incurs an ATC).
2. Otherwise (i.e.,  $t_1$ 's active priority exceeds the maximum priority allowed by  $t_2$ 's scheduler), an `IllegalThreadStateException` is thrown in  $t_1$ .

Note on the 2nd rule: throwing the exception in  $t_1$ , rather than in  $t_2$ , ensures that the exception is synchronous.

See also [MonitorControl](#)<sup>6</sup> and [PriorityCeilingEmulation](#)<sup>7</sup>

#### 7.3.1.3.1 Constructors

---

### PriorityInheritance

*Signature*

```
private
  PriorityInheritance()
```

---

<sup>6</sup>Section [7.3.1.1](#)

<sup>7</sup>Section [7.3.1.2](#)

### 7.3.1.3.2 Methods

---

#### instance

##### *Signature*

```
public static
    javax.realtime.PriorityInheritance instance()
```

Return a reference to the singleton `PriorityInheritance`.

This is the default `MonitorControl` policy in effect at system startup.

The `PriorityInheritance` instance shall be allocated in `ImmortalMemory`.

### 7.3.1.4 WaitFreeDequeue

---

#### Inheritance

```
java.lang.Object
    javax.realtime.WaitFreeDequeue
```

A `WaitFreeDequeue` encapsulates a `WaitFreeWriteQueue` and a `WaitFreeReadQueue`. Each method on a `WaitFreeDequeue` corresponds to an equivalent operation on the underlying `WaitFreeWriteQueue` or `WaitFreeReadQueue`.

*Incompatibility with V1.0:* Three exceptions previously thrown by the constructor have been deleted from the `throws` clause. These are:

- `java.lang.IllegalAccessException`,
- `java.lang.ClassNotFoundException`, and
- `java.lang.InstantiationException`.

Including these exceptions on the `throws` clause was an error. Their deletion may cause compile-time errors in code using the previous constructor. The repair is to remove the exceptions from the `catch` clause around the constructor invocation.

`WaitFreeDequeue` is one of the classes allowing `NoHeapRealtimeThreads` and regular Java threads to synchronize on an object without the risk of a `NoHeapRealtimeThread` incurring Garbage Collector latency due to priority inversion avoidance management.

**Deprecated since RTSJ version as of RTSJ 1.0.1**

#### 7.3.1.4.1 Constructors

---

### 7.3.1.4.2 Methods

---

### 7.3.1.5 WaitFreeReadQueue

---

#### Inheritance

java.lang.Object  
 javax.realtime.WaitFreeReadQueue

A queue that can be non-blocking for consumers. The `WaitFreeReadQueue` class is intended for single-reader multiple-writer communication, although it may also be used (with care) for multiple readers. A *reader* is generally an instance of `NoHeapRealtimeThread`<sup>8</sup>, and the *writers* are generally regular Java threads or heap-using realtime threads or schedulables. Communication is through a bounded buffer of Objects that is managed first-in-first-out. The principal methods for this class are `write` and `read`

- The `write` method appends a new element onto the queue. It is synchronized, and blocks when the queue is full. It may be called by more than one writer, in which case, the different callers will write to different elements of the queue.
- The `read` method removes the oldest element from the queue. It is not synchronized and does not block; it will return `null` when the queue is empty. Multiple reader threads or schedulables are permitted, but if two or more intend to read from the same `WaitFreeWriteQueue` they will need to arrange explicit synchronization.

For convenience, and to avoid requiring a reader to poll until the queue is non-empty, this class also supports instances that can be accessed by a reader that blocks on queue empty. To obtain this behavior, the reader needs to invoke the `waitForData()` method on a queue that has been constructed with a `notify` parameter set to `true`.

`WaitFreeReadQueue` is one of the classes allowing `NoHeapRealtimeThreads` and regular Java threads to synchronize on an object without the risk of a `NoHeapRealtimeThread` incurring Garbage Collector latency due to priority inversion avoidance management. *Incompatibility with V1.0:* Three exceptions previously thrown by the constructor have been deleted. These are

- `java.lang.IllegalAccessException`,
- `java.lang.ClassNotFoundException`, and

---

<sup>8</sup>Section 15.3.2.1

- `java.lang.InstantiationException`.

These exceptions were in error. Their deletion may cause compile-time errors in code using the previous constructor. The repair is to remove the exceptions from the catch clause around the constructor invocation.

### 7.3.1.5.1 Constructors

---

## WaitFreeReadQueue(Runnable, Runnable, int, MemoryArea, boolean)

### Signature

```
public
    WaitFreeReadQueue(Runnable writer, Runnable reader, int maximum, MemoryArea me
```

### Parameters

*writer* An instance of `Runnable` or `null`.

*reader* An instance of `Runnable` or `null`.

*maximum* The maximum number of elements in the queue.

*memory* The `MemoryArea`<sup>9</sup> in which internal elements are allocated.

*notify* A flag that establishes whether a reader is notified when the queue becomes non-empty.

### Throws

*IllegalArgumentException* when an argument holds an invalid value. The `writer` argument must be `null`, a reference to a `Thread`, or a reference to a schedulable (a `RealtimeThread`, or an `AsyncEventHandler`.) The `reader` argument must be `null`, a reference to a `Thread`, or a reference to a schedulable. The `maximum` argument must be greater than zero.

*InaccessibleAreaException* when `memory` is a scoped memory that is not on the caller's scope stack.

*MemoryScopeException* when either `reader` or `writer` is non-null and the `memory` argument is not compatible with `reader` and `writer` with respect to the assignment and access rules for memory areas.

Constructs a queue containing up to `maximum` elements in `memory`. The queue has an unsynchronized and nonblocking `read()` method and a synchronized and blocking `write()` method.

---

<sup>9</sup>Section [11.4.3.7](#)

The `writer` and `reader` parameters, if non-null, are checked to insure that they are compatible with the `MemoryArea` specified by `memory` (if non-null.) If `memory` is `null` and both `Runnable`s are non-null, the constructor will select the nearest common scoped parent memory area, or if there is no such scope it will use immortal memory. If all three parameters are `null`, the queue will be allocated in immortal memory.

`reader` and `writer` are not necessarily the only threads or schedulable objects that will access the queue; moreover, there is no check that they actually access the queue at all.

*Note:* that the wait free queue's internal queue is allocated in `memory`, but the memory area of the wait free queue instance itself is determined by the current allocation context.

## WaitFreeReadQueue(Runnable, Runnable, int, MemoryArea)

### Signature

```
public
    WaitFreeReadQueue(Runnable writer, Runnable reader, int maximum, MemoryArea memory)
```

### Parameters

*writer* An instance of `Runnable` or `null`.

*reader* An instance of `Runnable` or `null`.

*maximum* The maximum number of elements in the queue.

*memory* The `MemoryArea`<sup>10</sup> in which this object and internal elements are allocated.

### Throws

*IllegalArgumentException* when an argument holds an invalid value. The `writer` argument must be `null`, a reference to a `Thread`, or a reference to a schedulable (a `RealtimeThread`, or an `AsyncEventHandler`.) The `reader` argument must be `null`, a reference to a `Thread`, or a reference to a schedulable. The `maximum` argument must be greater than zero.

*MemoryScopeException* when either `reader` or `writer` is non-null and the `memory` argument is not compatible with `reader` and `writer` with respect to the assignment and access rules for memory areas.

*InaccessibleAreaException* when `memory` is a scoped memory that is not on the caller's scope stack.

---

<sup>10</sup>Section 11.4.3.7



Constructs a queue containing up to `maximum` elements in `memory`. The queue has an unsynchronized and nonblocking `read()` method and a synchronized and blocking `write()` method.

The `writer` and `reader` parameters, if non-null, are checked to insure that they are compatible with the `MemoryArea` specified by `memory` (if non-null.) If `memory` is null and both `Runnable`s are non-null, the constructor will select the nearest common scoped parent memory area, or if there is no such scope it will use immortal memory. If all three parameters are null, the queue will be allocated in immortal memory.

`reader` and `writer` are not necessarily the only threads or schedulables that will access the queue; moreover, there is no check that they actually access the queue at all.

*Note:* that the wait free queue's internal queue is allocated in `memory`, but the memory area of the wait free queue instance itself is determined by the current allocation context.

## WaitFreeReadQueue(int, MemoryArea, boolean)

### Signature

```
public
    WaitFreeReadQueue(int maximum, MemoryArea memory, boolean notify)
```

### Parameters

*maximum* The maximum number of elements in the queue.

*memory* The `MemoryArea`<sup>11</sup> in which this object and internal elements are allocated.

*notify* A flag that establishes whether a reader is notified when the queue becomes non-empty.

### Throws

*IllegalArgumentException* when the `maximum` argument is less than or equal to zero, or `memory` is null.

*InaccessibleAreaException* when `memory` is a scoped memory that is not on the caller's scope stack.

Constructs a queue containing up to `maximum` elements in `memory`. The queue has an unsynchronized and nonblocking `read()` method and a synchronized and blocking `write()` method.

---

<sup>11</sup>Section [11.4.3.7](#)

*Note:* that the wait free queue's internal queue is allocated in memory, but the memory area of the wait free queue instance itself is determined by the current allocation context.

**Available since RTSJ version RTSJ 1.0.1**

## WaitFreeReadQueue(int, boolean)

*Signature*

```
public
    WaitFreeReadQueue(int maximum, boolean notify)
```

*Parameters*

*maximum* The maximum number of elements in the queue.

*notify* A flag that establishes whether a reader is notified when the queue becomes non-empty.

*Throws*

*IllegalArgumentException* when the `maximum` argument is less than or equal to zero.

Constructs a queue containing up to `maximum` elements in immortal memory. The queue has an unsynchronized and nonblocking `read()` method and a synchronized and blocking `write()` method.

**Available since RTSJ version RTSJ 1.0.1**

### 7.3.1.5.2 Methods

---

#### **clear**

*Signature*

```
public
    void clear()
```

Sets `this` to empty.

*Note:* This method needs to be used with care. Invoking `clear` concurrently with `read` or `write` can lead to unexpected results.

## isEmpty

### *Signature*

```
public
boolean isEmpty()
```

### *Returns*

true if **this** is empty; false if **this** is not empty.

Queries the queue to determine if **this** is empty.

*Note:* This method needs to be used with care since the state of the queue may change while the method is in progress or after it has returned.

## isFull

### *Signature*

```
public
boolean isFull()
```

### *Returns*

true if **this** is full; false if **this** is not full.

Queries the system to determine if **this** is full.

*Note:* This method needs to be used with care since the state of the queue may change while the method is in progress or after it has returned.

## read

### *Signature*

```
public
java.lang.Object read()
```

### *Returns*

The `java.lang.Object` read, or else `null` if **this** is empty.

Reads the least recently inserted element from the queue and returns it as the result, unless the queue is empty. If the queue is empty, `null` is returned.

## size

### *Signature*

```
public
int size()
```

### *Returns*

The number of positions in **this** occupied by elements that have been written but not yet read.

Queries the queue to determine the number of elements in `this`.

*Note:* This method needs to be used with care since the state of the queue may change while the method is in progress or after it has returned.

## **waitForData**

### *Signature*

```
public
void waitForData()
throws InterruptedException
```

### *Throws*

*UnsupportedOperationException* when `this` has not been constructed with `notify` set to `true`.

*InterruptedException* when the thread is interrupted by `interrupt()` or `Asyn-chronouslyInterruptedException.fire()`<sup>12</sup> during the time between calling this method and returning from it.

If `this` is empty block until a writer inserts an element.

*Note:* If there is a single reader and no asynchronous invocation of `clear`, then it is safe to invoke `read` after `waitForData` and know that `read` will find the queue non-empty.

*Implementation note:* To avoid reader and writer synchronizing on the same object, the reader should not be notified directly by a writer. (This is the issue that the non-wait queue classes are intended to solve).

**Available since RTSJ version RTSJ 1.0.1** `InterruptedException` was added to the `throws` clause.

## **write(Object)**

### *Signature*

```
public synchronized
void write(Object object)
throws InterruptedException
```

### *Parameters*

*object* The `java.lang.Object` that is placed in the queue.

### *Throws*

---

<sup>12</sup>Section 8.4.2.1.3

*InterruptedException* when the thread is interrupted by `interrupt()` or `Asyn-chronouslyInterruptedException.fire()`<sup>13</sup> during the time between calling this method and returning from it.

*MemoryScopeException* when a memory access error or illegal assignment error would occur while storing `object` in the queue.

A synchronized and blocking write. This call blocks on queue full and will wait until there is space in the queue.

Available since RTSJ version RTSJ 1.0.1 The return type is changed to void since it *always* returned true, and `InterruptedException` was added to the throws clause.

### 7.3.1.6 WaitFreeWriteQueue

---

#### Inheritance

```
java.lang.Object
  javax.realtime.WaitFreeWriteQueue
```

A queue that can be non-blocking for producers. The `WaitFreeWriteQueue` class is intended for single-writer multiple-reader communication, although it may also be used (with care) for multiple writers. A *writer* is generally an instance of `NoHeapRealtimeThread`<sup>14</sup>, and the *readers* are generally regular Java threads or heap-using realtime threads or schedulables. Communication is through a bounded buffer of Objects that is managed first-in-first-out. The principal methods for this class are `write` and `read`

- The `write` method appends a new element onto the queue. It is not synchronized, and does not block when the queue is full (it returns `false` instead). Multiple writer threads or schedulables are permitted, but if two or more threads intend to write to the same `WaitFreeWriteQueue` they will need to arrange explicit synchronization.
- The `read` method removes the oldest element from the queue. It is synchronized, and will block when the queue is empty. It may be called by more than one reader, in which case the different callers will read different elements from the queue.

`WaitFreeWriteQueue` is one of the classes allowing `NoHeapRealtimeThreads` and regular Java threads to synchronize on an object without the risk of a `NoHeapRealtimeThread` incurring Garbage Collector latency due to priority inversion avoidance

---

<sup>13</sup>Section 8.4.2.1.3

<sup>14</sup>Section 15.3.2.1

management.

*Incompatibility with V1.0:* Three exceptions previously thrown by the constructor have been deleted from the `throws` clause. These are

- `java.lang.IllegalAccessException`,
- `java.lang.ClassNotFoundException`, and
- `java.lang.InstantiationException`.

Including these exceptions on the `throws` clause was an error. Their deletion may cause compile-time errors in code using the previous constructor. The repair is to remove the exceptions from the `catch` clause around the constructor invocation.

### 7.3.1.6.1 Constructors

---

## WaitFreeWriteQueue(Runnable, Runnable, int, MemoryArea)

### Signature

```
public
    WaitFreeWriteQueue(Runnable writer, Runnable reader, int maximum, MemoryArea memory)
```

### Parameters

*writer* An instance of `Thread`, a schedulable object, or `null`.

*reader* An instance of `Thread`, a schedulable object, or `null`.

*maximum* The maximum number of elements in the queue.

*memory* The `MemoryArea`<sup>15</sup> in which this object and internal elements are allocated.

### Throws

*IllegalArgumentException* when an argument holds an invalid value. The `writer` argument must be `null`, a reference to a `Thread`, or a reference to a schedulable (a `RealtimeThread`, or an `AsyncEventHandler`.) The `reader` argument must be `null`, a reference to a `Thread`, or a reference to a schedulable. The `maximum` argument must be greater than zero.

*MemoryScopeException* when either `reader` or `writer` is non-null and the `memory` argument is not compatible with `reader` and `writer` with respect to the assignment and access rules for memory areas.

*InaccessibleAreaException* when `memory` is a scoped memory that is not on the caller's scope stack.

---

<sup>15</sup>Section 11.4.3.7

Constructs a queue in memory with an unsynchronized and nonblocking `write()` method and a synchronized and blocking `read()` method.

The `writer` and `reader` parameters, if non-null, are checked to insure that they are compatible with the `MemoryArea` specified by `memory` (if non-null.) If `memory` is null and both `Runnable`s are non-null, the constructor will select the nearest common scoped parent memory area, or if there is no such scope it will use immortal memory. If all three parameters are null, the queue will be allocated in immortal memory.

`reader` and `writer` are not necessarily the only threads or schedulables that will access the queues; moreover, there is no check that they actually access the queue at all.

*Note:* that the wait free queue's internal queue is allocated in `memory`, but the memory area of the wait free queue instance itself is determined by the current allocation context.

## WaitFreeWriteQueue(int, MemoryArea)

### Signature

```
public
    WaitFreeWriteQueue(int maximum, MemoryArea memory)
```

### Parameters

*maximum* The maximum number of elements in the queue.

*memory* The `MemoryArea`<sup>16</sup> in which this object and internal elements are allocated.

### Throws

*IllegalArgumentException* when the `maximum` argument is less than or equal to zero, or `memory` is null.

*InaccessibleAreaException* when `memory` is a scoped memory that is not on the caller's scope stack.

Constructs a queue containing up to `maximum` elements in `memory`. The queue has an unsynchronized and nonblocking `write()` method and a synchronized and blocking `read()` method.

*Note:* that the wait free queue's internal queue is allocated in `memory`, but the memory area of the wait free queue instance itself is determined by the current allocation context.

---

<sup>16</sup>Section 11.4.3.7

Available since RTSJ version RTSJ 1.0.1

## WaitFreeWriteQueue(int)

*Signature*

```
public
    WaitFreeWriteQueue(int maximum)
```

*Parameters*

*maximum* The maximum number of elements in the queue.

*Throws*

*IllegalArgumentException* when the *maximum* argument is less than or equal to zero.

Constructs a queue containing up to *maximum* elements in immortal memory. The queue has an unsynchronized and nonblocking `write()` method and a synchronized and blocking `read()` method.

Available since RTSJ version RTSJ 1.0.1

### 7.3.1.6.2 Methods

---

#### **clear**

*Signature*

```
public
    void clear()
```

Sets `this` to empty.

#### **isEmpty**

*Signature*

```
public
    boolean isEmpty()
```

*Returns*



True, if **this** is empty. False, if **this** is not empty.

Queries the system to determine if **this** is empty.

*Note:* This method needs to be used with care since the state of the queue may change while the method is in progress or after it has returned.

## isFull

*Signature*

```
public
boolean isFull()
```

*Returns*

True, if **this** is full. False, if **this** is not full.

Queries the system to determine if **this** is full.

*Note:* This method needs to be used with care since the state of the queue may change while the method is in progress or after it has returned.

## read

*Signature*

```
public synchronized
java.lang.Object read()
throws InterruptedException
```

*Throws*

*InterruptedException* when the thread is interrupted by `interrupt()` or `Asyn-chronouslyInterruptedException.fire()`<sup>17</sup> during the time between calling this method and returning from it.

*Returns*

The `Object` least recently written to the queue. If **this** is empty, the calling thread or schedulable objects blocks until an element is inserted; when it is resumed, `read` removes and returns the element.

A synchronized and possibly blocking operation on the queue.

**Available since RTSJ version RTSJ 1.0.1 Throws InterruptedException**

## size

*Signature*

```
public
```

---

<sup>17</sup>Section 8.4.2.1.3

```
int size()
```

*Returns*

The number of positions in **this** occupied by elements that have been written but not yet read.

Queries the queue to determine the number of elements in **this**.

*Note:* This method needs to be used with care since the state of the queue may change while the method is in progress or after it has returned.

## **force(Object)**

*Signature*

```
public  
boolean force(Object object)
```

*Parameters*

*object* A non-null `java.lang.Object` to insert.

*Throws*

*MemoryScopeException* when a memory access error or illegal assignment error would occur while storing **object** in the queue.

*IllegalArgumentException* when **object** is `null`.

*Returns*

`true` if **object** has overwritten an element that was occupied when the function returns; `false` otherwise (it has been inserted into a position that was vacant when the function returns)

Unconditionally insert **object** into **this**, either in a vacant position or else overwriting the most recently inserted element. The `boolean` result reflects whether, at the time that `force()` returns, the position at which **object** was inserted was vacant (`false`) or occupied (`true`).

## **write(Object)**

*Signature*

```
public  
boolean write(Object object)
```

*Parameters*

*object* A non-null `java.lang.Object` to insert.

*Throws*

*MemoryScopeException* when a memory access error or illegal assignment error would occur while storing **object** in the queue.

*IllegalArgumentException* when **object** is `null`.

*Returns*

`true` if the queue was non-full; `false` otherwise.

Inserts `object` into `this` if `this` is non-full and otherwise has no effect on `this`; the `boolean` result reflects whether `object` has been inserted. If the queue was empty and one or more threads or schedulables were waiting to read, then one will be awakened after the write. The choice of which to awaken depends on the involved scheduler(s).

## 7.4 Rationale

Java's rules for `synchronized` code provide a means for mutual exclusion but do not prevent unbounded priority inversions and thus are insufficient for realtime applications. This specification strengthens the semantics for `synchronized` code by mandating priority inversion control, in particular by furnishing classes for priority inheritance and priority ceiling emulation. Priority inheritance is more widely implemented in realtime operating systems and thus is required and is the initial default mechanism in this specification.

Since the same object may be accessed from synchronized code by both a `No-HeapRealtimeThread` and an arbitrary thread or schedulable object, unwanted dependencies may result. To avoid this problem, this specification provides three wait-free queue classes as an alternative means for safe, concurrent data accesses without priority inversion.



# Chapter 8

## Asynchrony

### 8.1 Overview

One of the most important aspects of this specification is the support for asynchronous control flow. Mechanisms are provided for both starting a task asynchronously and interrupting the execution of a thread or other task. This specification provides mechanisms that

- bind the execution of program logic to the occurrence of internal and external events;
- enable asynchronous transfer of control; and
- facilitate the asynchronous termination of realtime threads.

This specification provides several facilities for arranging asynchronous control of execution. These facilities fall into two main categories: asynchronous event handling and asynchronous transfer of control, which includes realtime thread termination.

Asynchronous event handling is captured by the classes and subclasses of `AbstractAsyncEvent` (AE), `AbstractAsyncEventHandler` (AEH) and `AbstractBoundAsyncEventHandler`. An AE is an object used to direct event occurrences to asynchronous event handlers. An event occurrence may be initiated by application logic, by mechanisms internal to the RTSJ implementation (see the handlers in `PeriodicParameters`), or by some external input such as a clock, a signal, or an interrupt.

An asynchronous event occurrence is initiated in program logic by the invocation of the `fire` method of an AE. The `fire` method dispatches all handlers associated with its event. This means that dispatching occurs in the execution context of the caller.

An asynchronous event that is initiated from an external source has additional requirements and hence additional API features. These features are captured by the `ActiveEvent` interface. Since external events do not have a full execution context

of their own, this category of events must provide an alternate execution context. In order to give the programmer control over this execution context, the specification defines abstract class `ActiveEventDispatcher` to provide execution context for dispatching. Subclasses provide a `trigger` method for initiating dispatching. Triggering simply informs this execution context to start dispatching. The `trigger` method is not defined in `ActiveEventDispatcher`, since some classes need a `trigger` methods with an argument and others do not. The types of `ActiveEvent` supported are described in subsequent chapters.

An AEH is a schedulable embodying code that is released for execution in response to the occurrence of an associated event. Each AEH behaves as if it is executed by a `RealtimeThread` except that it is not permitted to use the `waitForNextPeriod()`, `waitForNextPeriodInterruptible()`, `waitForNextRelease()`, `waitForNextReleaseInterruptible()` methods, and it is treated as having a null thread group in all cases. There is not necessarily a separate realtime thread for each AEH, but the server realtime thread (returned by `currentRealtimeThread()`) remains constant during each execution of the `run()` method. The class `AbstractBoundAsyncEventHandler` extends `AbstractAsyncEventHandler` and ensures that a handler has a dedicated server realtime thread (a server thread is associated with one and only one bound AEH for the lifetime of that AEH). An event count (called `fireCount`) is maintained so that a handler can cope with event bursts—situations where an event occurs more frequently than its handler can respond.

The `interrupt()` method in `java.lang.Thread` provides rudimentary asynchronous communication by setting a pollable/resettable flag in the target thread, and by throwing a synchronous exception when the target thread is blocked at an invocation of `wait()`, `sleep()`, or `join()`. This specification extends the effect of `Thread.interrupt()` by adding an overridden version in `RealtimeThread`, offering a more comprehensive and non-polling asynchronous execution control facility. It is based on throwing and propagating exceptions that, though asynchronous, are deferred where necessary in order to avoid data structure corruption. The main elements of ATC are embodied in the class `AsynchronouslyInterruptedException`, its subclass `Timed`, the interface `Interruptible`, and in the semantics of the `interrupt` method in `RealtimeThread`.

A method indicates its eligibility to be asynchronously interrupted by including the checked exception `AsynchronouslyInterruptedException` in its `throws` clause. If a schedulable is asynchronously interrupted while executing such a method, then an AIE will be delivered as soon as the schedulable is outside of a section in which ATC is deferred. Several idioms are available for handling an AIE, giving the programmer the choice of using `catch` clauses and a low-level mechanism with specific control over propagation, or a higher-level facility that allows specifying the interruptible code, the handler, and the result retrieval as separate methods.

## 8.2 Definitions

The following terms and abbreviations will be used.

*AE*—Asynchronous Event. An instance of one of the subclasses of the `javax.realtime.AbstractA` class.

*AEH*—Asynchronous Event Handler. An instance of one of the subclasses of the `AbstractAsyncEventHandler` class.

*Bound AEH* — Bound Asynchronous Event Handler. An instance of one of the subclasses of the `AbstractBoundAsyncEventHandler` class.

*ATC* — Asynchronous Transfer of Control.

*AIE* — Asynchronously Interrupted Exception. An instance of the `javax.realtime.Asynchronous` class (a subclass of `java.lang.InterruptedExceptio`).

*AI-method* - Asynchronously Interruptible method. A method or constructor that includes `AsynchronouslyInterruptedException` explicitly (that is not a subclass of `AsynchronouslyInterruptedException`) in its throws clause.

*Lexical Scope [of a method, constructor, or statement]*. The textual region within the constructor, method, or statement, excluding the code within any class declarations, and the code within any class instance creation expressions for anonymous classes, contained therein. The lexical scope of a construct does not include the bodies of any methods or constructors that this code invokes.

*ATC-deferred section*. A synchronized statement, a static initializer or any method or constructor without `AsynchronouslyInterruptedException` in its throws clause. As specified in the introduction to Chapter 8 in *Java Language Specification*, a synchronized method is equivalent to a non-synchronized method with the body of the method contained in a synchronized statement. Thus, a synchronized AI method behaves like an AI method containing only an ATC-deferred statement.

*Interruptible blocking methods*. The RTSJ and standard Java methods that are explicitly interruptible by an AIE. The interruptible blocking methods comprise

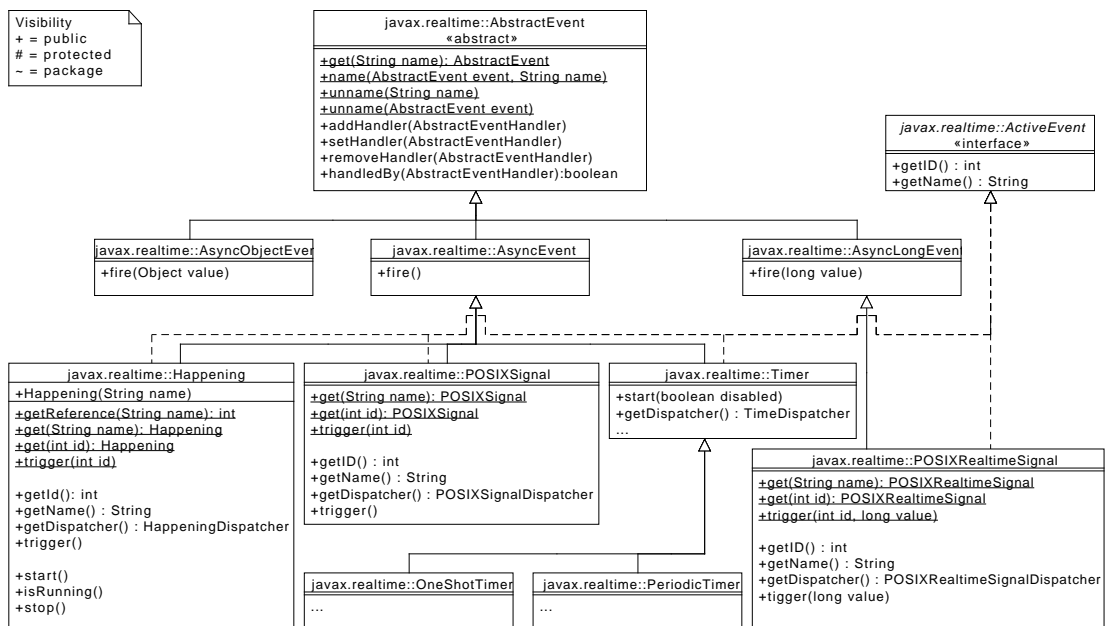
- `HighResolutionTime.waitForObject()`,
- `Object.wait()`,
- `Thread.sleep()`,
- `RealtimeThread.sleep()`,
- `Thread.join()`,
- `ScopedMemory.join()`,
- `ScopedMemory.joinAndEnter()`,
- `RealtimeThread.waitForNextPeriodInterruptible()`,
- `RealtimeThread.waitForNextReleaseInterruptible()`,
- `WaitFreeWriteQueue.read()`,
- `WaitFreeReadQueue.waitForData()`,
- `WaitFreeReadQueue.write()`,
- `WaitFreeDequeue.blockingRead()`,

- `WaitFreeDequeue.blockingWrite()` and their overloaded forms.

## 8.3 Semantics

Asynchronous events and event handlers are required in the base module, whereas asynchronous transference of control is optional. Basic event types are passive: they are not directly associated with a thread of control. They are intended to be fired programmatically. Handling external events, such as clocks (see Chapter 10) and happening (see Chapter 12), requires execution support. The `ActiveEvent` interface is provided to mark these and provide additional execution semantics. Figure 8.1 illustrates the event hierarchy.

Figure 8.1: The Event Class Hierarchy



### 8.3.1 Asynchronous Events and their Handlers

This following list establishes the semantics that are applicable to asynchronous events and their handlers. Semantics that apply to particular classes, constructors, methods, and fields will be found in the class description and the constructor, method, and field detail sections.



1. When an asynchronous event occurs (by either program logic or by the triggering of a happening), its attached handlers (that is, AEHs that have been added to the AE by the execution of `addHandler()`) are released for execution. Every occurrence of an event increments the `fireCount` in each attached handler. Handlers may elect to execute logic for each occurrence of the event or not.
2. The release of attached handlers occurs in execution eligibility order (priority order, from highest to lowest, with the default `PriorityScheduler`) and at the active priority of the schedulable that invoked the `fire` method. The release of handlers resulting from a happening or a timer must begin within a bounded time (ignoring time consumed by unrelated activities in the system). This worst-case response interval must be documented for some reference architecture.
3. The release of attached handlers is an atomic operation with respect to adding and removing handlers.
4. The logical release of an attached handler may occur before the previous release has completed.
5. A deadline may be associated with each logical release of an attached handler. The deadline is relative to the occurrence of the associated event.
6. AEs and AEHs may be created and used by any program logic within the constraints of the memory assignment rules.
7. More than one AEH may be added to an AE. However, adding an AEH to an AE has no effect if the AEH is already attached to the AE.
8. The same AEH may be added to more than one AE.
9. By default all AEHs are considered to be daemons (the daemon status being set by their constructors). An AEH can be set to have a non daemon status after it has been created and before it has been attached to an AE.
10. The object returned by `currentRealtimeThread()` while an AEH is running shall behave with respect to memory access and assignment rules as if it were allocated in the same memory area as the AEH.
11. System-related termination activity (such as execution of finalizers for scoped objects in scopes that become unreferenced) triggered when an AEH becomes unfireable is not subject to cost enforcement or deadline miss detection.
12. AEs and AEHs behave effectively as if changes to an AEH's fireability are contained in synchronized blocks, and the AEH holds that lock while it is in the process of becoming non-fireable.

An RTSJ program terminates when and only when

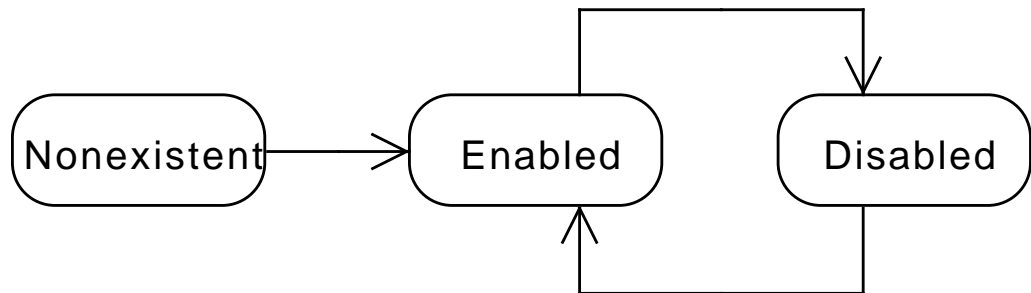
- all non-daemon threads (either regular Java threads or realtime threads) are terminated,
- the `fireCounts` of all nondaemon bound AEHs or nondaemon AEHs are zero and all releases are completed, and

- there are no nondaemon Bound AEHs or AEHs attached to timers or async events associated with happenings.

Though dispatchers have a thread, this thread is a daemon thread and does itself not hinder termination.

`AbstractAsyncEvent` provides two basic states: enabled and disabled. In the enabled state, fire causes all associated handlers to be dispatched, whereas fire does nothing when the event is disabled. Figure 8.2 illustrates this state space.

Figure 8.2: States of a Simple `AbstractAsyncEvent`



### 8.3.2 Active Events and Dispatching

Active events refine the semantics of `AbstractAsyncEventHandler` with the addition of execution semantics to support second level interrupt handling. The fire method of an event runs in the Java execution context of the caller. For events that represent external signals, whether a certain time is reached or something has occurred, there may not be a Java execution context, or at least that context is of necessity limited and often of needs to have a very short duration; dispatching an unlimited number of handlers is not acceptable. They require an additional execution context for releasing handlers.

In order to be able to distinguish between events that are caused to be fired by an outside mechanism from those that are fired from another thread, the former extend the `ActiveEvent` interface. Since the `trigger` methods may vary in the number of their arguments depending on the type of event, each class implementing `ActiveEvent` must provide its own `trigger` method for initiating the handler release

by releasing another execution context. Each method must act as if it calls the `fire` method on its event and then terminates. Hence `trigger` has the same functional behavior as `fire` but runs in this other execution context.

This extra execution context is exposed to the user as an `ActiveEventDispatcher`. There is a active event dispatcher for each kind of active event. The programmer does not need to write a dispatcher, but just creates the one of the corresponding type. The programmer does determine the priority and the affinity of a dispatcher, as well as determine the mapping between dispatchers and events.

Each event has a single dispatcher, but a dispatcher may serve many events. As with `fire`, the dispatcher releases handlers in reverse priority order, i.e., from highest to lowest. This enables the programmer to control the number of these execution contexts and still optimize how handlers are released.

The state space of an `ActiveEvent` is an extension of the state space for an `AbstractAsyncEvent` depicted in Figure 8.2. `ActiveEvent` adds the notion of active and inactive on top of enabled and disabled, as depicted in Figure 8.3. Note the enabled-disabled distinction is only splits the active state. The inactive state is by definition disabled.

### 8.3.3 Asynchronous Transfer of Control

Asynchronously interrupting a schedulable consists of the following activities.

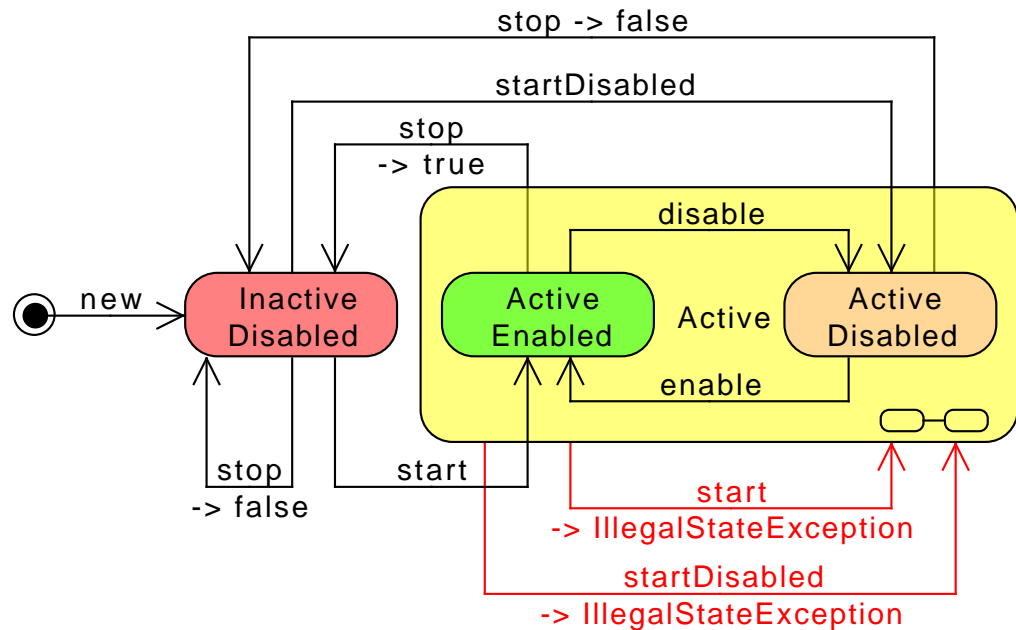
- **Generation** of an asynchronous interrupt exception — this is the event in the underlying system that makes the AIE available to the program.
- **Delivery** of the asynchronous interrupt exception to the target schedulable— this is the action that invokes the search for and execution of an appropriate handler.

Between the generation and delivery, the asynchronous interrupt exception is held *pending*. After delivery, the AIE remains pending until it is **cleared** by the program logic using `clear()` or `doInterruptible()`.

This following list establishes the semantics that are applicable to ATC. Semantics that apply to particular classes, constructors, methods, and fields will be found in the class description and the constructor, method, and field detail sections.

1. An AIE is generated for a given schedulable, when the `fire()` method is called on an AIE for which the schedulable object is executing within the `doInterruptible()` method, or the `RealtimeThread.interrupt()` method is called; the latter is effectively called when an AIE is generated by internal virtual machine mechanisms (such as an interrupt I/O protocol) that are asynchronous to the execution of program logic which is the target of the AIE. A generated AIE becomes pending upon generation and remains pending until explicitly cleared or replaced by another AIE.

Figure 8.3: States of an ActiveEvent



2. The `RealtimeThread.interrupt()` method throws the generic AIE at the target realtime thread and has the behaviors defined for `Thread.interrupt()`. This is the only interaction between the ATC mechanism and the conventional `interrupt()` mechanism.
3. An AIE is delivered to a schedulable when it is executing in an AI-method except as indicated below.
4. The generation of an AIE through the `fire()` mechanism behaves as if it set an asynchronously-interrupted status in the schedulable. If the schedulable is blocked within an interruptible blocking method, or invokes an interruptible blocking method, when this asynchronously-interrupted status is set, then the invocation immediately completes by throwing the pending AIE and clearing the asynchronously-interrupted status. When a pending AIE is explicitly cleared then the asynchronously-interrupted status is also cleared.
5. Methods which block through mechanisms other than the interruptible blocking methods, (for example, blocking methods in `java.io.*`) must be prevented from blocking indefinitely when invoked from a method with `Asynchronously-`

`InterruptedException` in its `throws` clause. When an AIE is generated and the target schedulable's control is blocked inside one of these methods invoked from an AI-method, the implementation may either unblock the blocked call, raise an `InterruptedException` on behalf of the call, or allow the call to complete normally if the implementation determines that the call would eventually unblock.

6. If an AI-method is attempting to acquire an object lock when an associated AIE is generated, the attempt to acquire the lock is abandoned.
7. If control is in the lexical scope of an ATC-deferred section when an AIE (targeted at the executing schedulable) is generated, the AIE is not delivered until the first subsequent attempt to transfer control to code that is not ATC deferred. At that point, control is transferred to the `catch` or `finally` clause of the nearest dynamically-enclosing a `try` statement that has a handler for the generated AIE's (that is a handler naming the AIE's class or any of its superclasses, or a `finally` clause) and which is in an ATC-deferred section. Intervening handlers and `finally` clauses that are not in ATC-deferred sections are not executed, but object locks are released.  
See section 11.3 of *The Java Language Specification* second edition for an explanation of the terms, *dynamically enclosing* and *handler*. The RTSJ uses those JLS definitions unaltered. Note, if synchronized code is abandoned as a result of this control transfer, the associated locks are released.
8. Constructors are allowed to include `AsynchronouslyInterruptedException` in their `throws` clause and if they do will be asynchronously interruptible under the same conditions as AI methods.
9. Native methods that include `AsynchronouslyInterruptedException` in their `throws` clause have implementation-specific behavior.
10. An implementation must deliver the transfer of control in a schedulable that is subject to asynchronous interruption (in an AI-method but not in a synchronized block) within a bounded execution time of that schedulable. This worst-case response interval must be documented for some reference architecture.
11. Instances of the `Timed` class logically have an associated timer. When the timer fires, the schedulable executing the instance's `doInterruptible` method must have the AIE generated within a bounded execution time of the schedulable. This worst-case response interval must be documented for some reference architecture.
12. An AIE only has the semantics defined here if it originates with the `AsynchronouslyInterruptedException.fire()` method, the `RealtimeThread.interrupt()` method or from within the realtime VM. If an AIE is thrown from program logic using the Java throw statement, it acts the same as throwing any other instance of a subclass of `Exception`, it is processed as a normal exception, and

has no affect on the pending state of any AIE, and no affect on the firing of the AIE concerned.

### 8.3.3.1 Summary of ATC Operation

The RTSJ's approach to ATC is designed to follow the above principles. It is based on exceptions and is an extension of the current Java language rules for `java.lang.Thread.interrupt()`. In summary, ATC works as follows:

If `so` is an instance of a schedulable and the `interrupt()` method is called on the realtime thread associated with that object (in this context, the associated realtime thread of an AEH is the realtime thread returned by a call of the `RealtimeThread.currentRealtimeThread()` method by that AEH) then:

- If control is in an ATC-deferred section, then the AIE remains in a pending state.
- If control is not in an ATC-deferred section, then control is transferred to the `catch` or `finally` clause of the nearest dynamically-enclosing a `try` statement that has a handler for the generated AIE's (that is a handler naming the AIE's class or any of its superclasses, or a `finally` clause) and which is in an ATC-deferred section. Intervening handlers and `finally` clauses that are not in ATC-deferred sections are not executed, but objects locks are released. See section 11.3 of *The Java Language Specification* second edition for an explanation of the terms, *dynamically enclosing* and *handles*. The RTSJ uses those definitions unaltered.
- If control is in an interruptible blocking method the schedulable object is awakened and the generated AIE (which is a subclass of `InterruptedException`) is thrown with regular Java semantics (the AIE is still marked as pending). Then ATC follows option 1, or 2 as appropriate.
- If control is in an ATC-deferred section, control continues normally until the first attempt to return to an AI method or invoke an AI method or exit a synchronized block within an AI method. Then ATC follows option 1, or 2 as appropriate.
- If control is transferred from an ATC-deferred section to an AI method through the action of propagating an exception and if an AIE is pending then when the transition to the AI-method occurs, the thrown exception is discarded and replaced by the AIE.

An AIE may be generated while another AIE is pending. Because AI code blocks are nested by method invocation (a stack-based nesting) there is a natural precedence among active instances of AIE. Let  $AIE_0$  be the AIE raised when the `RealtimeThread.interrupt()` method is invoked and  $AIE_i$  ( $i = 1, \dots, n$ , for  $n$  unique instances of AIE) be the AIE generated when `AIE.fire()` is invoked. In the following, the phrase "a frame deeper on the stack than this frame" refers to a

method nearer to the current stack frame. The phrase "a frame shallower on the stack than this frame" refers to a method further from the current stack frame.

- If the current AIE is an  $AIE_0$  and the new AIE is an  $AIE_x$  associated with any frame on the stack then the new AIE ( $AIE_x$ ) is discarded.
- If the current AIE is an  $AIE_x$  and the new AIE is an  $AIE_0$ , then the current AIE ( $AIE_x$ ) is replaced by the new AIE ( $AIE_0$ ).
- If the current AIE is an  $AIE_x$  and the new AIE is an  $AIE_y$  from a frame deeper on the stack, then the new AIE ( $AIE_y$ ) is discarded.
- If the current AIE is an  $AIE_x$  and the new AIE is an  $AIE_y$  from a frame shallower on the stack, the current AIE ( $AIE_x$ ) is replaced by the new AIE ( $AIE_y$ ).
- If the current AIE is an  $AIE_0$  and the new AIE is an  $AIE_0$ , or if the current AIE is an  $AIE_x$  and the new AIE is an  $AIE_x$ , the new AIE is discarded.

When `clear()` or `happened()` is called on a pending AIE or that AIE is superseded by another, the first AIE's pending state is cleared. If the `happened()` method is called on a non-pending AIE the result depends on the value of the `propagate` parameter, as indicated in the "No Match" column of the table below. Clearing a non-pending AIE (with the `clear()` method) has no effect.

propagate	Match	No Match
true	clear the pending AIE, return true	the AIE remains pending, propagate
false	clear the pending AIE, return true	the AIE remains pending, return false

## 8.4 Package javax.realtime

### 8.4.1 Interfaces

#### 8.4.1.1 ActiveEvent

---

This is the abstract base class for the event system. The subclasses of `ActiveEvent` are used to connect events that take place outside the Java runtime to RTSJ activities.

An active event is known by an ID and by a name, both of these must be unique.

When an event takes place outside the Java runtime, some event-specific code in the Java runtime executes. That code notifies the `ActiveEvent` infrastructure of this event by calling a `trigger` method in the event.

##### 8.4.1.1.1 Methods

---

### **isActive**

#### *Signature*

```
public
boolean isActive()
```

#### *Returns*

`true` when active, `false` otherwise.

Determine the activation state of this event, i.e., it has been started but not yet stopped again.

### **isRunning**

#### *Signature*

```
public
boolean isRunning()
```

#### *Returns*

`true` when active and enabled, `false` otherwise.

Determine the running state of this event, i.e., it is both active and enabled.



## start

### Signature

```
public
void start()
throws IllegalStateException
```

### Throws

*IllegalStateException* when this event has already been started.

Start this active event.

## start(boolean)

### Signature

```
public
void start(boolean disabled)
throws IllegalStateException
```

### Parameters

*disabled* true for starting in a disabled state.

### Throws

*IllegalStateException* when this event has already been started.

Start this active event.

## stop

### Signature

```
public
boolean stop()
throws IllegalStateException
```

### Throws

*IllegalStateException* when this event is not running.

Stop this active event and return the previous enabled state.

### 8.4.1.2 BoundAbstractAsyncEventHandler

---

#### Interfaces

##### BoundSchedulable

An marker interface for all schedulables that are bound to a single thread of control. It is required to enable references to all bound handlers.

### 8.4.1.3 Interruptible

---

`Interruptible` is an interface implemented by classes that will be used as arguments on the method `doInterruptible()` of `AsynchronouslyInterruptedException`<sup>1</sup> and its subclasses. `doInterruptible()` invokes the implementation of the method in this interface.

#### 8.4.1.3.1 Methods

---

### `run(AsynchronouslyInterruptedException)`

*Signature*

```
public
void run(AsynchronouslyInterruptedException exception)
throws AsynchronouslyInterruptedException
```

*Parameters*

*exception* The AIE object whose `doInterruptible` method is calling the `run` method. Used to invoke methods on `AsynchronouslyInterruptedException`<sup>2</sup> from within the `run()` method.

The main piece of code that is executed when an implementation is given to `doInterruptible()`. When a class is created that implements this interface (for example through an anonymous inner class) it must include the `throws` clause to make the method interruptible. If the `throws` clause is omitted the `run()` method will not be interruptible.

### `interruptAction(AsynchronouslyInterruptedException)`

*Signature*

```
public
void interruptAction(AsynchronouslyInterruptedException
exception)
```

*Parameters*

---

<sup>1</sup>Section 8.4.2.1

<sup>2</sup>Section 8.4.2.1

*exception* The currently pending AIE. Used to invoke methods on [AsynchronouslyInterruptedException](#)<sup>3</sup> from within the `interruptAction()` method. This method is called by the system if the `run()` method is interrupted. Using this, the program logic can determine if the `run()` method completed normally or had its control asynchronously transferred to its caller.

## 8.4.2 Exceptions

### 8.4.2.1 AsynchronouslyInterruptedException

#### Inheritance

```

java.lang.Object
  java.lang.Throwable
    java.lang.Exception
      java.lang.InterruptedException
        javax.realtime.AsynchronouslyInterruptedException

```

A special exception that is thrown in response to an attempt to asynchronously transfer the locus of control of a schedulable.

A schedulable that is executing a method or constructor, which is declared with an [AsynchronouslyInterruptedException](#)<sup>4</sup> in its `throws` clause, can be asynchronously interrupted except when it is executing in the lexical scope of a synchronized statement within that method/constructor. As soon as the schedulable object leaves the lexical scope of the method by calling another method/constructor it may be asynchronously interrupted if the called method/constructor is asynchronously interruptible. (See this chapter's introduction section for the detailed semantics).

The asynchronous interrupt is generated for a realtime thread, `t`, when the `t.interrupt()` method is called or the `fire`<sup>5</sup> method is called of an AIE for which `t` has a `doInterruptible` method call in progress.

The interrupt is generated for an AEH (or BAEH), `h`, if the `fire`<sup>6</sup> method is called of an AIE for which `h` has a `doInterruptible` method call in progress.

If an asynchronous interrupt is generated when the target realtime thread/schedulable is executing within an ATC-deferred section, the asynchronous interrupt becomes pending. A pending asynchronous interrupt is delivered when the target realtime thread/schedulable next attempts to enter asynchronously interruptible code.

Asynchronous transfers of control (ATCs) are intended to allow long-running computations to be terminated without the overhead or latency of polling with

<sup>3</sup>Section [8.4.2.1](#)

<sup>4</sup>Section [8.4.2.1](#)

<sup>5</sup>Section [8.4.2.1.3](#)

<sup>6</sup>Section [8.4.2.1.3](#)

**name.**

When `RealtimeThread.interrupt7`, or `AsynchronouslyInterruptedException.fire()` is called, the `AsynchronouslyInterruptedException` is compared against any currently pending `AsynchronouslyInterruptedException` on the schedulable. If there is none, or if the depth of the `AsynchronouslyInterruptedException` is less than the currently pending `AsynchronouslyInterruptedException`; (i.e., it is targeted at a less deeply nested method call), the new `AsynchronouslyInterruptedException` becomes the currently pending `AsynchronouslyInterruptedException` and the previously pending `AsynchronouslyInterruptedException` is discarded. Otherwise, the new `AsynchronouslyInterruptedException` is discarded.

When an `AsynchronouslyInterruptedException` is caught, the catch clause may invoke the `clear()` method on the `AsynchronouslyInterruptedException` in which it is interested to see if the exception matches the pending `AsynchronouslyInterruptedException`. If so, the pending `AsynchronouslyInterruptedException` is cleared for the schedulable and `clear` returns true. Otherwise, the current AIE remains pending and `clear` returns false.

`RealtimeThread.interrupt()` generates a system-wide generic `AsynchronouslyInterruptedException` which will always propagate outward through interruptible methods until the generic `AsynchronouslyInterruptedException` is identified and handled. The pending state of the generic AIE is per-schedulable object.

Other sources (e.g., `AsynchronouslyInterruptedException.fire()` and `Timed8`) will generate specific instances of `AsynchronouslyInterruptedException` which applications can identify and thus limit propagation.

`AsyncEventHandler9` objects should interact with the ATC mechanisms via the `Interruptible10` interface.

#### 8.4.2.1.1 Fields

---

```
serialVersionUID
private static final serialVersionUID
```

#### 8.4.2.1.2 Constructors

---



---

<sup>7</sup>Section 5.3.2.2.2

<sup>8</sup>Section 8.4.2.2

<sup>9</sup>Section 8.4.3.5

<sup>10</sup>Section 8.4.1.3

## AsynchronouslyInterruptedException

### Signature

```
public
    AsynchronouslyInterruptedException()
```

Create an instance of `AsynchronouslyInterruptedException`.

### 8.4.2.1.3 Methods

---

#### getGeneric

##### Signature

```
public static
    javax.realtime.AsynchronouslyInterruptedException getGeneric()
```

##### Throws

*IllegalThreadStateException* if the current thread is a Java thread.

##### Returns

The generic `AsynchronouslyInterruptedException`.

Gets the singleton system generic `AsynchronouslyInterruptedException` that is generated when `RealtimeThread.interrupt()`<sup>11</sup> is invoked.

#### enable

##### Signature

```
public
    boolean enable()
```

##### Returns

True if `this` was disabled before the method was called and the call was invoked whilst the associated `doInterruptible()` is in progress. False: otherwise.

Enable the throwing of this exception. This method is valid only when the caller has a call to `doInterruptible()` in progress. If invoked when no call to `doInterruptible()` is in progress, `enable` returns false and does nothing.

---

<sup>11</sup>Section 5.3.2.2.2

## disable

### *Signature*

```
public synchronized
boolean disable()
```

### *Returns*

True if **this** was enabled before the method was called and the call was invoked with the associated `doInterruptible()` in progress. False: otherwise.

Disable the throwing of this exception. If the `fire`<sup>12</sup> method is called on **this** AIE whilst it is disabled, the fire is held pending and delivered as soon as the AIE is enabled and the interruptible code is within an AI-method. If an AIE is pending when the associated `disable` method is called, the AIE remains pending, and is delivered as soon as the AIE is enabled and the interruptible code is within an AI-method.

This method is valid only when the caller has a call to `doInterruptible()` in progress. If invoked when no call to `doInterruptible()` is in progress, `disable` returns false and does nothing.

Note: disabling the genericAIE associated with a realtime thread only affects the firing of that AIE. If the genericAIE is generated by the `RealtimeThread.interrupt()`<sup>13</sup> mechanism, the AIE is delivered (unless the `Interruptible` code is in an AI-deferred region, in which case it is marked as pending and handled in the usual way).

## isEnabled

### *Signature*

```
public
boolean isEnabled()
```

### *Returns*

True if **this** is enabled and the method call was invoked in the context of the associated `doInterruptible()`. False otherwise.

Query the enabled status of this exception.

This method is valid only when the caller has a call to `doInterruptible()` in progress. If invoked when no call to `doInterruptible()` is in progress, `enable` returns false and does nothing.

## fire

### *Signature*

---

<sup>12</sup>Section 8.4.2.1.3

<sup>13</sup>Section 5.3.2.2.2

```
public
boolean fire()
```

#### Returns

True if `this` is not disabled and it has an invocation of a `doInterruptible()` in progress and there is no outstanding fire request. False otherwise.

Generate this exception if its `doInterruptible()` has been invoked and not completed. If `this` is the only outstanding AIE on the schedulable object that invoked this AIE's `doInterruptible(Interruptible)`<sup>14</sup> method, this AIE becomes that schedulable's current AIE. Otherwise, it only becomes the current AIE if it is at a less deep level of nesting compared with the current outstanding AIE.

## doInterruptible(Interruptible)

#### Signature

```
public
boolean doInterruptible(Interruptible logic)
```

#### Parameters

*logic* An instance of an `Interruptible`<sup>15</sup> whose `run()` method will be called.

#### Throws

*IllegalThreadStateException* when called from a Java thread.

*IllegalArgumentException* when `logic` is `null`.

#### Returns

True if the method call completed normally. False if another call to `doInterruptible` has not completed.

Executes the `run()` method of the given `Interruptible`<sup>16</sup>. This method may be on the stack in exactly one `Schedulable`<sup>17</sup> object. An attempt to invoke this method in a schedulable while it is on the stack of another or the same schedulable will cause an immediate return with a value of false.

The `run` method of given `Interruptible` is always entered with the exception in the enabled state, but that state can be modified with `enable()`<sup>18</sup> and `disable()`<sup>19</sup> and the state can be observed with `isEnabled()`<sup>20</sup>.

This AIE is cleared on return from `doInterruptible()`.

---

<sup>14</sup>Section 8.4.2.1.3

<sup>15</sup>Section 8.4.1.3

<sup>16</sup>Section 8.4.1.3

<sup>17</sup>Section 6.4.1.2

<sup>18</sup>Section 8.4.2.1.3

<sup>19</sup>Section 8.4.2.1.3

<sup>20</sup>Section 8.4.2.1.3

## isDoInterruptibleInProgress

*Signature*

```
boolean isDoInterruptibleInProgress()
```

## clear

*Signature*

```
public
boolean clear()
```

*Throws*

*IllegalThreadStateException* when called from a Java thread.

*Returns*

True if **this** was pending. False if **this** was not pending.

Atomically see if **this** is pending on the currently executing schedulable, and if so, make it non-pending.

**Available since RTSJ version RTSJ 1.0.1**

### 8.4.2.2 Timed

---

#### Inheritance

```
java.lang.Object
  java.lang.Throwable
    java.lang.Exception
      java.lang.InterruptedIOException
        javax.realtime.AsynchronouslyInterruptedException
          javax.realtime.Timed
```

**Open issue:** The fact that `Timed` extends `AIE` confuses the javadoc. It prints an `Exceptions` heading

Create a scope in a `Schedulable`<sup>21</sup> object which will be asynchronously interrupted at the expiration of a timer. This timer will begin measuring time at some point between the time `doInterruptible()` is invoked and the time the `run()` method of the `Interruptible` object is invoked. Each call of `doInterruptible()` on an instance of `Timed` will restart the timer for the amount of time given in the constructor or the most recent invocation of `resetTime()`. The timer is cancelled if it has not expired before the `doInterruptible()` method has finished.

---

<sup>21</sup>Section 6.4.1.2



All memory use of an instance of `Timed` occurs during construction or the first invocation of `doInterruptible()`. Subsequent invocations of `doInterruptible()` do not allocate memory.

If the timer fires, the resulting AIE will be generated for the schedulable within a bounded execution time of the targeted schedulable.

Typical usage: `new Timed(T).doInterruptible(interruptible);` **End of open issue**

#### 8.4.2.2.1 Fields

---

`serialVersionUID`

```
private static final serialVersionUID
```

#### 8.4.2.2.2 Constructors

---

### `Timed(HighResolutionTime)`

#### *Signature*

```
public  
    Timed(HighResolutionTime time)
```

#### *Parameters*

*time* If `time` is a `RelativeTime`<sup>22</sup> value, it is the interval of time between the invocation of `doInterruptible()` and when the schedulable is asynchronously interrupted. If `time` is an `AbsoluteTime`<sup>23</sup> value, the timer asynchronously interrupts at this time (assuming the timer has not been cancelled).

#### *Throws*

`IllegalArgumentException` when `time` is null.

Create an instance of `Timed` with a timer set to `time`. If the `time` is in the past the `AsynchronouslyInterruptedException`<sup>24</sup> mechanism is activated immediately after or when the `doInterruptible()` method is called.

---

<sup>22</sup>Section 9.4.1.3

<sup>23</sup>Section 9.4.1.1

<sup>24</sup>Section 8.4.2.1

### 8.4.2.2.3 Methods

---

## **doInterruptible(Interruptible)**

### *Signature*

```
public
boolean doInterruptible(Interruptible logic)
```

### *Parameters*

*logic* @inheritDoc

### *Throws*

*IllegalArgumentException* @inheritDoc  
*IllegalThreadStateException* @inheritDoc

### *Returns*

@inheritDoc

Execute a time-out method. Starts the timer and executes the `run()` method of the given `Interruptible`<sup>25</sup> object.

## **resetTime(HighResolutionTime)**

### *Signature*

```
public
void resetTime(HighResolutionTime time)
```

### *Parameters*

*time* This can be an absolute time or a relative time. When `null`, the time-out is not changed.

To set the time-out for the next invocation of `doInterruptible()`.

## **restart(HighResolutionTime)**

### *Signature*

```
public
void restart(HighResolutionTime time)
```

### *Parameters*

*time* The new timeout.

### *Throws*

*IllegalArgumentException* when `time` is `null` or a relative time less than zero. Reset the timeout. If this `Timed`<sup>26</sup> instance is executing, adjust the timeout to `time`

---

<sup>25</sup>Section 8.4.1.3

<sup>26</sup>Section 8.4.2.2

and restart the timer. If the instance is not executing, adjust the timeout for the next invocation.

Available since RTSJ version RTSJ 2.0

### 8.4.3 Classes

#### 8.4.3.1 AbstractAsyncEvent

---

##### Inheritance

java.lang.Object  
javax.realtime.AbstractAsyncEvent

This is the base class for all asynchronous events, where asynchronous is in regards to running code, not external time. This class unifies the original [AsyncEvent](#)<sup>27</sup> with [AsyncLongEvent](#)<sup>28</sup> and [AsyncObjectEvent](#)<sup>29</sup>.

Available since RTSJ version RTSJ 2.0

##### 8.4.3.1.1 Constructors

---

### AbstractAsyncEvent

#### *Signature*

AbstractAsyncEvent()

Create a new AsyncEvent object.

##### 8.4.3.1.2 Methods

---

---

<sup>27</sup>Section [8.4.3.4](#)

<sup>28</sup>Section [8.4.3.6](#)

<sup>29</sup>Section [8.4.3.8](#)

## **isEnabled**

### *Signature*

```
public
boolean isEnabled()
```

### *Returns*

`true` when releasing, `false` when skipping.

Determine the firing state (releasing or skipping) of this event, i.e., whether it is enabled or disabled.

## **handledBy(AbstractAsyncEventHandler)**

### *Signature*

```
public
boolean handledBy(AbstractAsyncEventHandler handler)
```

### *Parameters*

*handler* The handler to be tested to determine if it is associated with `this`.

### *Returns*

True if the parameter is associated with `this`. False if `handler` is `null` or the parameter is not associated with `this`.

Test to see if the handler given as the parameter is associated with `this`.

## **enable**

### *Signature*

```
public
void enable()
```

Change the state of the event so that associated handlers are release on fire. Each subclass provides a means of dispatching its handlers when requested. This method enables that request mechanism.

## **disable**

### *Signature*

```
public
void disable()
```

Change the state of the event so that associated handlers are skipped on fire. Each subclass provides a fire method as means of dispatching its handlers when requested. This method disables that request mechanism.

## addHandler(**AbstractAsyncEventHandler**)

### Signature

```
public  
void addHandler(AbstractAsyncEventHandler handler)
```

### Parameters

*handler* The new handler to add to the list of handlers already associated with this. When **handler** is already associated with the event, the call has no effect.

### Throws

*IllegalArgumentException* when **handler** is **null** or the handler has **PeriodicParameters**<sup>30</sup>. Only the subclass **PeriodicTimer**<sup>31</sup> is allowed to have handlers with **PeriodicParameters**<sup>32</sup>.

*IllegalAssignmentError* when this **AsyncEvent** cannot hold a reference to **handler**.

Add a handler to the set of handlers associated with this event. An instance of **AsyncEvent** may have more than one associated handler. However, adding a handler to an event has no effect if the handler is already attached to the event.

The execution of this method is atomic with respect to the execution of the **fire()** method.

Since this affects the constraints expressed in the release parameters of an existing schedulable, this may change the feasibility of the current system. This method does not change feasibility set of any scheduler, and no feasibility test is performed.

Note, there is an implicit reference to the handler stored in **this**. The assignment must be valid under any applicable memory assignment rules.

## setHandler(**AbstractAsyncEventHandler**)

### Signature

```
public  
void setHandler(AbstractAsyncEventHandler handler)
```

### Parameters

*handler* The instance of **AbstractAsyncEventHandler**<sup>33</sup> to be associated with **this**. When **handler** is **null** then no handler will be associated with **this**, i.e., behave effectively as if **setHandler(null)** invokes **removeHandler(**AbstractAsyncEventHandler**)** for each associated handler.

### Throws

---

<sup>30</sup>Section 6.4.2.4

<sup>31</sup>Section 10.4.2.4

<sup>32</sup>Section 6.4.2.4

<sup>33</sup>Section 8.4.3.2

<sup>34</sup>Section 8.4.3.1.2

*IllegalArgumentException* when `handler` has `PeriodicParameters`<sup>35</sup>. Only the subclass `PeriodicTimer`<sup>36</sup> is allowed to have handlers with `PeriodicParameters`<sup>37</sup>.

*IllegalAssignmentError* when this `AsyncEvent` cannot hold a reference to `handler`.

Associate a new handler with this event and remove all existing handlers. The execution of this method is atomic with respect to the execution of the `fire()` method.

Since this affects the constraints expressed in the release parameters of the existing schedulables, this may change the feasibility of the current system. This method does not change the feasibility set of any scheduler, and no feasibility test is performed.

## **removeHandler(AbstractAsyncEventHandler)**

*Signature*

```
public
void removeHandler(AbstractAsyncEventHandler handler)
```

*Parameters*

*handler* The handler to be disassociated from `this`. If `null` nothing happens. If the `handler` is not already associated with `this` then nothing happens.

Remove a handler from the set associated with this event. The execution of this method is atomic with respect to the execution of the `fire()` method.

A removed handler continues to execute until its `fireCount` becomes zero and it completes.

If `handler` has a scoped non-default initial memory area and execution of this method causes `handler` to become non-fireable, this method shall not return until all related finalization has completed.

## **createReleaseParameters**

*Signature*

```
public
javax.realtime.ReleaseParameters createReleaseParameters()
```

*Returns*

A new `ReleaseParameters`<sup>38</sup> object.

---

<sup>35</sup>Section 6.4.2.4

<sup>36</sup>Section 10.4.2.4

<sup>37</sup>Section 6.4.2.4

<sup>38</sup>Section 6.4.2.8

Create a [ReleaseParameters](#)<sup>39</sup> object appropriate to the release characteristics of this event. The default is the most pessimistic: [AperiodicParameters](#)<sup>40</sup>. This is typically called by code that is setting up a handler for this event that will fill in the parts of the release parameters for which it has values, e.g., cost. The returned [ReleaseParameters](#)<sup>41</sup> object is not bound to the event. Any changes in the event's release parameters are not reflected in previously returned objects.

If an event returns [PeriodicParameters](#)<sup>42</sup>, there is no requirement for an implementation to check that the handler is released periodically.

### 8.4.3.2 AbstractAsyncEventHandler

---

#### Inheritance

java.lang.Object  
[javax.realtime.AbstractAsyncEventHandler](#)

#### Interfaces

[Schedulable](#)

This is the base class for all asynchronous event handlers, where asynchronous is in regards to running code, not external time. This class unifies the original [AsyncEventHandler](#)<sup>43</sup> with [AsyncLongEventHandler](#)<sup>44</sup> and [AsyncObjectEventHandler](#)<sup>45</sup>.

Available since RTSJ version RTSJ 2.0

#### 8.4.3.2.1 Constructors

---

**AbstractAsyncEventHandler(SchedulingParameters, ReleaseParameters, MemoryParameters, MemoryArea, ProcessingGroupParameters, ConfigurationParameters, boolean)**

#### Signature

---

<sup>39</sup>Section [6.4.2.8](#)

<sup>40</sup>Section [6.4.2.2](#)

<sup>41</sup>Section [6.4.2.8](#)

<sup>42</sup>Section [6.4.2.4](#)

<sup>43</sup>Section [8.4.3.5](#)

<sup>44</sup>Section [8.4.3.7](#)

<sup>45</sup>Section [8.4.3.9](#)

`AbstractAsyncEventHandler(SchedulingParameters scheduling, ReleaseParam`

### *Parameters*

*scheduling* A `SchedulingParameters`<sup>46</sup> object which will be associated with the constructed instance. If `null`, and the creator is a Java thread, a `SchedulingParameters` object is created which has the default scheduling parameters value for the scheduler associated with the current thread. If `null`, and the creator is a schedulable, the scheduling parameters are inherited from the current schedulable (a new `SchedulingParameters` object is cloned).

*release* A `ReleaseParameters`<sup>47</sup> object which will be associated with the constructed instance. If `null`, this will have default `ReleaseParameters` for this AEH's scheduler.

*memory* A `MemoryParameters`<sup>48</sup> object which will be associated with the constructed instance. If `null`, this will have no `MemoryParameters`.

*area* The `MemoryArea`<sup>49</sup> for this. If `null`, the memory area will be that of the current thread/schedulable.

enter initial memory area

`handleAsyncEvent()`

leave initial memory area

If true, behave effectively as if the first release of this `AbstractAsyncEventHandler` via a `AsyncEvent.fire`<sup>50</sup> or its release in a miss or overrun handler role pins the in initial memory area.

*group* A `ProcessingGroupParameters`<sup>51</sup> object which will be associated with the constructed instance. If `null`, this will not be associated with any processing group.

*sizing* The `ConfigurationParameters`<sup>52</sup> associated with this (and possibly other instances of `Schedulable`<sup>53</sup>. If *sizing* is `null`, this `AbstractAsyncEventHandler` will reserve no space for preallocated exceptions and implementation-specific values will be set to their implementation-defined defaults.

*nonheap* A flag meaning, when true, that this will have characteristics identical to a `NoHeapRealtimeThread`<sup>54</sup>. A false value means this will have characteris-

---

<sup>46</sup>Section 6.4.2.10

<sup>47</sup>Section 6.4.2.8

<sup>48</sup>Section 11.4.3.8

<sup>49</sup>Section 11.4.3.7

<sup>50</sup>Section 8.4.3.4.2

<sup>51</sup>Section 6.4.2.7

<sup>52</sup>Section 5.3.2.1

<sup>53</sup>Section 6.4.1.2

<sup>54</sup>Section 15.3.2.1



tics identical to a [RealtimeThread](#)<sup>55</sup>. If true and the current thread/schedulable is *not* executing within a [ScopedMemory](#)<sup>56</sup> or [ImmortalMemory](#)<sup>57</sup> scope then an **name** is thrown.

*Throws*

*IllegalArgumentException* when **nonheap** is true and any parameter, or **this** is in heap memory or **area** is heap memory.

*IllegalAssignmentError* when the new `AbstractAsyncEventHandler` instance cannot hold a reference to non-null values of **scheduling** **release** **memory** and **group**, or if those parameters cannot hold a reference to the new `AbstractAsyncEventHandler`. Also when the new `AbstractAsyncEventHandler` instance cannot hold a reference to non-null values of **area** and **logic**.

Create an instance of `AbstractAsyncEventHandler` with the specified parameters.

Available since RTSJ version RTSJ 2.0

#### 8.4.3.2.2 Methods

---

### getCurrentConsumption(RelativeTime)

*Signature*

```
public static
javax.realtime.RelativeTime getCurrentConsumption(RelativeTime
dest)
```

*Throws*

*IllegalStateException* when the caller is not a [RealtimeThread](#)<sup>58</sup>.

*Returns*

The CPU consumption for this release. When **dest** is **null**, return the CPU consumption in an otherwise unused [RelativeTime](#)<sup>59</sup> instance in the current execution context, otherwise, when **dest** is not **null**, return the CPU consumption in **dest**

Available since RTSJ version RTSJ 2.0

---

<sup>55</sup>Section [5.3.2.2](#)

<sup>56</sup>Section [11.4.3.12](#)

<sup>57</sup>Section [11.4.3.3](#)

<sup>58</sup>Section [5.3.2.2](#)

<sup>59</sup>Section [9.4.1.3](#)

## getCurrentConsumption

### Signature

```
public static
    javax.realtime.RelativeTime getCurrentConsumption()
```

Equivalent to `getCurrentConsumption(null)`.

Available since RTSJ version RTSJ 2.0

## getPendingFireCount

### Signature

```
protected
    int getPendingFireCount()
```

### Returns

The value held by `fireCount`.

This is an accessor method for `fireCount`. The `fireCount` field nominally holds the number of times associated instances of `AsyncEvent`<sup>60</sup> have occurred that have not had the method `handleAsyncEvent()` invoked. It is incremented and decremented by the implementation of the RTSJ. The application logic may manipulate the value in this field for application-specific reasons.

## getAndClearPendingFireCount

### Signature

```
protected
    int getAndClearPendingFireCount()
```

### Returns

The value held by `fireCount` prior to setting the value to zero.

This is an accessor method for `fireCount`. This method atomically sets the value of `fireCount` to zero and returns the value from before it was set to zero. This may be used by handlers for which the logic can accommodate multiple releases in a single execution.

The general form for using this is

```
public void handleAsyncEvent()
{
    int numberOfReleases = getAndClearPendingFireCount();
    <handle the events>
```

---

<sup>60</sup>Section 8.4.3.4

```
}

```

The effect of a call to `getAndClearPendingFireCount` on the scheduling of this AEH depends on the semantics of the scheduler controlling this AEH.

## **getAndDecrementPendingFireCount**

*Signature*

```
protected
int getAndDecrementPendingFireCount()
```

*Returns*

The value held by `fireCount` prior to decrementing it by one.

This is an accessor method for `fireCount`. This method atomically decrements, by one, the value of `fireCount` (if it was greater than zero) and returns the value from before the decrement. This method can be used in the `handleAsyncEvent()` method to handle multiple releases:

```
public void handleAsyncEvent()
{
    <setup>
    do
    {
        <handle the event>
    }
    while(getAndDecrementPendingFireCount() > 0);
}
```

This construction is necessary only in the case where a handler wishes to avoid the setup costs since the framework guarantees that `handleAsyncEvent()` will be invoked whenever the `fireCount` is greater than zero. The effect of a call to `getAndDecrementPendingFireCount` on the scheduling of this AEH depends on the semantics of the scheduler controlling this AEH.

## **getMemoryArea**

*Signature*

```
public
javax.realtime.MemoryArea getMemoryArea()
```

*Returns*

The instance of `MemoryArea`<sup>61</sup> which was passed as the `area` parameter when `this` was created (or the default value if `area` was allowed to default. To determine the current status of the memory area stack associated with `this`, use

---

<sup>61</sup>Section 11.4.3.7

the static methods defined in the `RealtimeThread`<sup>62</sup> class. That is `RealtimeThread.getCurrentMemoryArea`<sup>63</sup>, `RealtimeThread.getInitialMemoryAreaIndex`<sup>64</sup>, `RealtimeThread.getMemoryAreaStackDepth`<sup>65</sup>.

This is an accessor method for the initial instance of `MemoryArea`<sup>66</sup> associated with `this`.

## getMemoryParameters

*Signature*

```
public
    javax.realtime.MemoryParameters getMemoryParameters()
```

*Returns*

@inheritDoc

@inheritDoc

## getReleaseParameters

*Signature*

```
public
    javax.realtime.ReleaseParameters getReleaseParameters()
```

*Returns*

@inheritDoc

@inheritDoc

## getScheduler

*Signature*

```
public
    javax.realtime.Scheduler getScheduler()
```

*Returns*

@inheritDoc

@inheritDoc

## getSchedulingParameters

*Signature*

---

<sup>62</sup>Section 5.3.2.2

<sup>63</sup>Section 5.3.2.2.2

<sup>64</sup>Section 5.3.2.2.2

<sup>65</sup>Section 5.3.2.2.2

<sup>66</sup>Section 11.4.3.7

```
public  
    javax.realtime.SchedulingParameters getSchedulingParameters()
```

*Returns*

@inheritDoc

@inheritDoc

## getProcessingGroupParameters

*Signature*

```
public  
    javax.realtime.ProcessingGroupParameters  
    getProcessingGroupParameters()
```

*Returns*

@inheritDoc

@inheritDoc

## getConfigurationParameters

*Signature*

```
public  
    javax.realtime.ConfigurationParameters  
    getConfigurationParameters()
```

*Returns*

@inheritDoc

@inheritDoc

## setMemoryParameters(MemoryParameters)

*Signature*

```
public  
    void setMemoryParameters(MemoryParameters memory)
```

*Parameters*

*memory* @inheritDoc

*Throws*

*IllegalArgumentException* @inheritDoc

*IllegalAssignmentError* @inheritDoc

*IllegalThreadStateException* @inheritDoc

@inheritDoc

## setReleaseParameters(ReleaseParameters)

### Signature

```
public  
void setReleaseParameters(ReleaseParameters release)
```

### Parameters

*release* @inheritDoc

### Throws

*IllegalArgumentException* @inheritDoc  
*IllegalAssignmentError* @inheritDoc  
*IllegalThreadStateException* @inheritDoc

@inheritDoc

## setScheduler(Scheduler)

### Signature

```
public  
void setScheduler(Scheduler scheduler)
```

### Parameters

*scheduler* @inheritDoc

### Throws

*IllegalArgumentException* @inheritDoc  
*IllegalAssignmentError* @inheritDoc  
*SecurityException* @inheritDoc  
*IllegalThreadStateException* @inheritDoc

@inheritDoc

## setScheduler(Scheduler, SchedulingParameters, ReleaseParameters, MemoryParameters, ProcessingGroupParameters)

### Signature

```
public  
void setScheduler(Scheduler scheduler, SchedulingParameters  
scheduling, ReleaseParameters release, MemoryParameters  
memoryParameters, ProcessingGroupParameters group)
```

### Parameters

*scheduler* @inheritDoc  
*scheduling* @inheritDoc  
*release* @inheritDoc  
*memoryParameters* @inheritDoc

*group* @inheritDoc

*Throws*

*IllegalArgumentException* @inheritDoc

*IllegalAssignmentError* @inheritDoc

*IllegalThreadStateException* @inheritDoc

*SecurityException* @inheritDoc

@inheritDoc

### **setSchedulingParameters(SchedulingParameters)**

*Signature*

```
public
void setSchedulingParameters(SchedulingParameters scheduling)
```

*Parameters*

*scheduling* @inheritDoc

*Throws*

*IllegalArgumentException* @inheritDoc

*IllegalAssignmentError* @inheritDoc

*IllegalThreadStateException* @inheritDoc

@inheritDoc

### **setProcessingGroupParameters(ProcessingGroupParameters)**

*Signature*

```
public
void setProcessingGroupParameters(ProcessingGroupParameters
group)
```

*Parameters*

*group* @inheritDoc

*Throws*

*IllegalArgumentException* @inheritDoc

*IllegalAssignmentError* @inheritDoc

*IllegalThreadStateException* @inheritDoc

@inheritDoc

### **setDaemon(boolean)**

*Signature*

```
public final
void setDaemon(boolean on)
```

*Parameters*

*on* If true, marks this event handler as a daemon handler.

*Throws*

*IllegalThreadStateException* when this event handler is attached to an AE.

*SecurityException* when the current schedulable cannot modify this event handler.

Marks this event handler as either a daemon event handler or a user event handler. A realtime virtual machine exits when the only schedulables and threads running are all daemon. This method must be called before the event handler is attached to any event. Once attached, it cannot be changed.

**Available since RTSJ version RTSJ 1.0.1**

## **isDaemon**

*Signature*

```
public final
boolean isDaemon()
```

*Returns*

True if this event handler is a daemon handler; false otherwise.

Tests if this event handler is a daemon handler.

**Available since RTSJ version RTSJ 1.0.1**

## **fire**

*Signature*

```
public final
void fire()
```

[See Section Timable.fire\(\)](#)

**Available since RTSJ version RTSJ 2.0**

## **getDispatcher**

*Signature*



```
public final
    javax.realtime.TimeDispatcher getDispatcher()
```

See [Section Timable.getDispatcher\(\)](#)

Available since RTSJ version RTSJ 2.0

### **getMinConsumption(RelativeTime)**

*Signature*

```
public
    javax.realtime.RelativeTime getMinConsumption(RelativeTime dest)
```

Available since RTSJ version RTSJ 2.0

### **getMinConsumption**

*Signature*

```
public
    javax.realtime.RelativeTime getMinConsumption()
```

Available since RTSJ version RTSJ 2.0

### **getMaxConsumption(RelativeTime)**

*Signature*

```
public
    javax.realtime.RelativeTime getMaxConsumption(RelativeTime dest)
```

Available since RTSJ version RTSJ 2.0

### **getMaxConsumption**

*Signature*

```
public
    javax.realtime.RelativeTime getMaxConsumption()
```

Available since RTSJ version RTSJ 2.0

## wakeup

*Signature*

```
public final  
void wakeup()
```

Indicate that a sleep has ended.

See [Section `Schedulable.wakeup\(\)`](#)

Available since RTSJ version RTSJ 2.0

### 8.4.3.3 `ActiveEventDispatcher`

---

#### Inheritance

```
java.lang.Object  
  javax.realtime.ActiveEventDispatcher
```

Provides a means of dispatching a set of [Happening](#)<sup>67</sup>s. It acts as if it contains a `RealtimeThread` to perform this task. The priority of this thread can be specified when a dispatcher object is created. The default dispatcher runs at the highest Java realtime priority.

#### 8.4.3.3.1 Constructors

---

### `ActiveEventDispatcher(SchedulingParameters)`

*Signature*

```
public  
  ActiveEventDispatcher(SchedulingParameters schedule)
```

---

<sup>67</sup>Section [12.4.3.1](#)

*Parameters*

*priority* is the realtime thread priority of the create object.  
Create a new dispatcher.

**8.4.3.3.2 Methods**

---

**destroy***Signature*

```
public  
void destroy()  
throws IllegalStateException
```

*Throws*

*IllegalStateException* when called on a dispatcher that is bound to an [ActiveEvent](#)<sup>68</sup>.

Makes the dispatcher unusable.

**8.4.3.4 AsyncEvent**

---

**Inheritance**

```
java.lang.Object  
  javax.realtime.AbstractAsyncEvent  
    javax.realtime.AsyncEvent
```

An asynchronous event can have a set of handlers associated with it, and when the event occurs, the `fireCount` of each handler is incremented, and the handlers are released (see [AsyncEventHandler](#)<sup>69</sup>).

**8.4.3.4.1 Constructors**

---

**AsyncEvent***Signature*

---

<sup>68</sup>Section [8.4.1.1](#)

<sup>69</sup>Section [8.4.3.5](#)

```
public
    AsyncEvent()
```

Create a new `AsyncEvent` object.

#### 8.4.3.4.2 Methods

---

### fire

*Signature*

```
public
    void fire()
```

*Throws*

*MITViolationException* Thrown under the base priority scheduler's semantics if there is a handler associated with this event that has its MIT violated by the call to `fire` (and it has set the minimum inter-arrival time violation behavior to `MITViolationExcept`). Only the handlers which do not have their MITs violated are released in this situation.

*ArrivalTimeQueueOverflowException* when the queue of arrival time information overflows. Only the handlers which do not cause this exception to be thrown are released in this situation.

When enabled, release the asynchronous events associated with this instance of `AsyncEvent`. When no handlers are attached or this object is disabled the method does nothing, i.e., it skips the release.

- When the instance of `AsyncEvent` has more than one instance of `AsyncEventHandler` with release parameters object of type `AperiodicParameters` attached and the execution of `AsyncEvent.fire()` introduces the requirement to throw at least one type of exception, then all instances of `AsyncEventHandler` not affected by the exception are handled normally
- When the instance of `AsyncEvent` has more than one instance of `AsyncEventHandler` with release parameters object of type `SporadicParameters` attached and the execution of `AsyncEvent.fire()` introduces the simultaneous requirement to throw more than one type of exception or error then `MITViolationException`<sup>70</sup> has precedence over `ArrivalTimeQueueOverflowException`<sup>71</sup>.

---

<sup>70</sup>Section 14.2.2.8

<sup>71</sup>Section 14.2.2.1

### 8.4.3.5 AsyncEventHandler

---

#### Inheritance

```

java.lang.Object
  javax.realtime.AbstractAsyncEventHandler
    javax.realtime.AsyncEventHandler

```

An asynchronous event handler encapsulates code that is released after an instance of `AsyncEvent`<sup>72</sup> to which it is attached occurs.

It is guaranteed that multiple releases of an event handler will be serialized. It is also guaranteed that (unless the handler explicitly chooses otherwise) for each release of the handler, there will be one execution of the `AsyncEventHandler.handleAsyncEvent()`<sup>73</sup> method. Control over the number of calls to `AsyncEventHandler.handleAsyncEvent()`<sup>74</sup> is given by methods which manipulate a `fireCount`. These may be called by the application via sub-classing and overriding `AsyncEventHandler.handleAsyncEvent()`<sup>75</sup>.

Instances of `AsyncEventHandler` with a release parameter of type `SporadicParameters`<sup>76</sup> or `AperiodicParameters`<sup>77</sup> have a list of release times which correspond to the occurrence times of instances of `AsyncEvent`<sup>78</sup> to which they are attached. The minimum interarrival time specified in `SporadicParameters`<sup>79</sup> is enforced when a release time is added to the list. Unless the handler explicitly chooses otherwise, there will be one execution of the code in `AsyncEventHandler.handleAsyncEvent()`<sup>80</sup> for each entry in the list.

The deadline and the time each release event causes the AEH to become eligible for execution are properties of the scheduler that controls the AEH. For the base `scheduler` (at [../sched\\_overview-summary.html#AperiodicScheduling](http://../sched_overview-summary.html#AperiodicScheduling)), the deadline for each release event is relative to its fire time, and the release takes place at fire time but execution eligibility may be deferred if the queue's MIT violation policy is `SAVE`.

Handlers may do almost anything a realtime thread can do. They may run for a long or short time, and they may block. (Note: blocked handlers may hold system resources.) A handler may not use the `RealtimeThread.waitForNextPeriod()`<sup>81</sup>

---

<sup>72</sup>Section 8.4.3.4

<sup>73</sup>Section 8.4.3.5.2

<sup>74</sup>Section 8.4.3.5.2

<sup>75</sup>Section 8.4.3.5.2

<sup>76</sup>Section 6.4.2.11

<sup>77</sup>Section 6.4.2.2

<sup>78</sup>Section 8.4.3.4

<sup>79</sup>Section 6.4.2.11

<sup>80</sup>Section 8.4.3.5.2

<sup>81</sup>Section 5.3.2.2.2

method.

Normally, handlers are bound to an execution context dynamically when the instances of `AsyncEvent`<sup>82</sup>s to which they are bound occur. This can introduce a (small) time penalty. For critical handlers that can not afford the expense, and where this penalty is a problem, `BoundAsyncEventHandler`<sup>83</sup>s can be used.

The scheduler for an asynchronous event handler is inherited from the thread/schedulable that created it. If it was created from a Java thread, the scheduler is the current default scheduler.

The semantics for memory areas that were defined for realtime threads apply in the same way to instances of `AsyncEventHandler`. They may inherit a scope stack when they are created, and the single parent rule applies to the use of memory scopes for instances of `AsyncEventHandler` just as it does in realtime threads.

#### 8.4.3.5.1 Constructors

---

### `AsyncEventHandler`

*Signature*

```
public
  AsyncEventHandler()
```

Create an instance of `AsyncEventHandler` with default values for all parameters.

See Section `AsyncEventHandler(SchedulingParameters, ReleaseParameters, MemoryParameters, MemoryArea, ProcessingGroupParameters, ConfigurationParameters, boolean, Runnable)`

### `AsyncEventHandler(boolean)`

*Signature*

```
public
  AsyncEventHandler(boolean nonheap)
```

---

<sup>82</sup>Section 8.4.3.4

<sup>83</sup>Section 8.4.3.10

*Parameters*

*nonheap* flag for the new handler.

Calling this constructor is equivalent to calling `AsyncEventHandler(SchedulingParameters, ReleaseParameters, MemoryParameters, MemoryArea, ProcessingGroupParameters, ConfigurationParameters, boolean, Runnable)`<sup>84</sup> with arguments (null, null, null, null, null, false, null, null, nonheap, null).

See Section `AsyncEventHandler(SchedulingParameters, ReleaseParameters, MemoryParameters, MemoryArea, ProcessingGroupParameters, ConfigurationParameters, boolean, Runnable)`

**AsyncEventHandler(boolean, Runnable)***Signature*

```
public
    AsyncEventHandler(boolean nonheap, Runnable logic)
```

*Parameters*

*nonheap* flag for the new handler.

*logic* to run at each release.

Calling this constructor is equivalent to calling `AsyncEventHandler(SchedulingParameters, ReleaseParameters, MemoryParameters, MemoryArea, ProcessingGroupParameters, ConfigurationParameters, boolean, Runnable)`<sup>85</sup> with arguments (null, null, null, null, false, null, null, nonheap, logic).

See Section `AsyncEventHandler(SchedulingParameters, ReleaseParameters, MemoryParameters, MemoryArea, ProcessingGroupParameters, ConfigurationParameters, boolean, Runnable)`

**AsyncEventHandler(Runnable)***Signature*

```
public
    AsyncEventHandler(Runnable logic)
```

---

<sup>84</sup>Section 8.4.3.5.1

<sup>85</sup>Section 8.4.3.5.1

*Parameters*

*logic* to run at each release.

Calling this constructor is equivalent to calling `AsyncEventHandler(SchedulingParameters, ReleaseParameters, MemoryParameters, MemoryArea, ProcessingGroupParameters, ConfigurationParameters, boolean, Runnable)`<sup>86</sup> with arguments (null, null, null, null, false, null, null, false, logic).

See Section `AsyncEventHandler(SchedulingParameters, ReleaseParameters, MemoryParameters, MemoryArea, ProcessingGroupParameters, ConfigurationParameters, boolean, Runnable)`

## **AsyncEventHandler(SchedulingParameters, ReleaseParameters, boolean)**

*Signature*

```
public
    AsyncEventHandler(SchedulingParameters scheduling, ReleaseParameters re
```

*Parameters*

*scheduling* parameters for the new handler.

*release* parameters for the new handler.

*noHeap* flag for the new handler.

Calling this constructor is equivalent to calling `AsyncEventHandler(SchedulingParameters, ReleaseParameters, MemoryParameters, MemoryArea, ProcessingGroupParameters, ConfigurationParameters, boolean, Runnable)`<sup>87</sup> with arguments (scheduling, release, null, null, false, null, null, nonheap, null)

See Section `AsyncEventHandler(SchedulingParameters, ReleaseParameters, MemoryParameters, MemoryArea, ProcessingGroupParameters, ConfigurationParameters, boolean, Runnable)`

**Available since RTSJ version RTSJ 2.0**

---

<sup>86</sup>Section 8.4.3.5.1

<sup>87</sup>Section 8.4.3.5.1



## AsyncEventHandler(SchedulingParameters, ReleaseParameters, ConfigurationParameters, boolean)

### Signature

```
public
    AsyncEventHandler(SchedulingParameters scheduling, ReleaseParameters release,
```

### Parameters

*scheduling* parameters for the new handler.

*release* parameters for the new handler.

*sizing* parameters for the new handler.

*noHeap* flag for the new handler.

Calling this constructor is equivalent to calling `AsyncEventHandler(SchedulingParameters, ReleaseParameters, MemoryParameters, MemoryArea, ProcessingGroupParameters, ConfigurationParameters, boolean, Runnable)`<sup>88</sup> with arguments (`scheduling`, `release`, `null`, `null`, `null`, `null`, `nonheap`, `logic`).

See Section `AsyncEventHandler(SchedulingParameters, ReleaseParameters, MemoryParameters, MemoryArea, ProcessingGroupParameters, ConfigurationParameters, boolean, Runnable)`

Available since RTSJ version RTSJ 2.0

## AsyncEventHandler(SchedulingParameters, ReleaseParameters, MemoryParameters, MemoryArea, ProcessingGroupParameters, boolean)

### Signature

```
public
    AsyncEventHandler(SchedulingParameters scheduling, ReleaseParameters release,
```

### Parameters

*scheduling* parameters for the new handler.

*release* parameters for the new handler.

*memory* parameters for the new handler.

---

<sup>88</sup>Section [8.4.3.5.1](#)

*area* in which to run the new handler.  
*group* parameters for the new handler.  
*nonheap* flag for the new handler.

Calling this constructor is equivalent to calling `AsyncEventHandler(SchedulingParameters, ReleaseParameters, MemoryParameters, MemoryArea, ProcessingGroupParameters, ConfigurationParameters, boolean, Runnable)`<sup>89</sup> with arguments (scheduling, release, memory, area, false, group, null, nonheap, null).

See Section `AsyncEventHandler(SchedulingParameters, ReleaseParameters, MemoryParameters, MemoryArea, ProcessingGroupParameters, ConfigurationParameters, boolean, Runnable)`

## **AsyncEventHandler(SchedulingParameters, ReleaseParameters, MemoryParameters, MemoryArea, ProcessingGroupParameters, ConfigurationParameters, boolean)**

### *Signature*

```
public
    AsyncEventHandler(SchedulingParameters scheduling, ReleaseParameters re
```

### *Parameters*

*scheduling* parameters for the new handler.  
*release* parameters for the new handler.  
*memory* parameters for the new handler.  
*area* in which to run the new handler.  
*group* parameters for the new handler.  
*sizing* parameters for the new handler.  
*noHeap* flag for the new handler.

Calling this constructor is equivalent to calling `AsyncEventHandler(SchedulingParameters, ReleaseParameters, MemoryParameters, MemoryArea, ProcessingGroupParameters, ConfigurationParameters, boolean, Runnable)`<sup>90</sup> with the arguments (scheduling, release, memory, area, group, sizing, false, logic).

See Section `AsyncEventHandler(SchedulingParameters, ReleaseParameters, MemoryParameters, MemoryArea, ProcessingGroupParameters, ConfigurationParameters, boolean, Runnable)`

---

<sup>89</sup>Section 8.4.3.5.1

<sup>90</sup>Section 8.4.3.5.1

Available since RTSJ version RTSJ 2.0

## **AsyncEventHandler(SchedulingParameters, ReleaseParameters, MemoryParameters, MemoryArea, ProcessingGroupParameters, ConfigurationParameters, boolean, Runnable)**

### *Signature*

```
public  
    AsyncEventHandler(SchedulingParameters scheduling, ReleaseParameters release,
```

### *Parameters*

*scheduling* parameters for scheduling the new handler (and possibly other instances of [Schedulable](#)<sup>91</sup>). When *scheduling* is `null` and the creator is an instance of [Schedulable](#)<sup>92</sup>, [SchedulingParameters](#)<sup>93</sup> is a clone of the creator's value created in the same memory area as `this`. When *scheduling* is `null` and the creator is a Java thread, the contents and type of the new [SchedulingParameters](#) object is governed by the associated scheduler.

*release* parameters for scheduling the new handler (and possibly other instances of [Schedulable](#)<sup>94</sup>). When *release* is `null` the new [AsyncEventHandler](#) will use a clone of the default [ReleaseParameters](#)<sup>95</sup> for the associated scheduler created in the memory area that contains the [AsyncEventHandler](#) object.

*memory* parameters for scheduling the new handler (and possibly other instances of [Schedulable](#)<sup>96</sup>). When *memory* is `null`, the new [AsyncEventHandler](#) receives `null` value for its memory parameters, and the amount or rate of memory allocation for the new handler is unrestricted.

*area* is the [MemoryArea](#)<sup>97</sup> in which the new handler will run. When *area* is `null`, the initial memory area of the new [AsyncEventHandler](#) is the current memory area at the time the constructor is called. When *area* is a scoped memory area, then this memory area will be automatically entered before the

---

<sup>91</sup>Section [6.4.1.2](#)

<sup>92</sup>Section [6.4.1.2](#)

<sup>93</sup>Section [6.4.2.10](#)

<sup>94</sup>Section [6.4.1.2](#)

<sup>95</sup>Section [6.4.2.8](#)

<sup>96</sup>Section [6.4.1.2](#)

<sup>97</sup>Section [11.4.3.7](#)

`handleAsyncEvent` method is called and automatically exited when the `handleAsyncEvent` method returns.

```

    enter initial memory area
    handleAsyncEvent()
    leave initial memory area

```

*group* parameters for providing CPU cost management on a set of [Schedulable](#)<sup>98</sup>s. When `null`, this will not be associated with any processing group. *sizing* parameters for reserving space for preallocated exceptions and change implementation specific per [Schedulable](#)<sup>99</sup> memory reservations, such as Java stack size, for the new handler (and possibly other instances of [Schedulable](#)<sup>100</sup>). When `sizing` is `null`, this `AsyncEventHandler` will reserve no space for preallocated exceptions and implementation-specific values will be set to their implementation-defined defaults.

*nonheap* determines if the handler may access heap memory (`false`) or not (`true`).

*logic* The `Runnable` object whose `run()` method will serve as the logic for the new `AsyncEventHandler`. If `logic` is `null`, the `handleAsyncEvent()` method in the new object will serve as its logic.

Calling this constructor is equivalent to calling `AsyncEventHandler(SchedulingParameters, ReleaseParameters, MemoryParameters, MemoryArea, ProcessingGroupParameters, ConfigurationParameters, boolean, Runnable)`<sup>101</sup> with the arguments (scheduling, release, memory, area, group, null, false, logic)

Available since RTSJ version RTSJ 2.0

#### 8.4.3.5.2 Methods

---

### `handleAsyncEvent`

*Signature*

```

public
void handleAsyncEvent()

```

---

<sup>98</sup>Section [6.4.1.2](#)

<sup>99</sup>Section [6.4.1.2](#)

<sup>100</sup>Section [6.4.1.2](#)

<sup>101</sup>Section [8.4.3.5.1](#)

This method holds the logic which is to be executed when any `AsyncEvent`<sup>102</sup> with which this handler is associated is fired. This method will be invoked repeatedly while `fireCount` is greater than zero.

The default implementation of this method invokes the `run` method of any non-null `logic` instance passed to the constructor of this handler.

This AEH acts as a source of "reference" for its initial memory area while it is released.

All throwables from (or propagated through) `handleAsyncEvent` are caught, a stack trace is printed and execution continues as if `handleAsyncEvent` had returned normally.

## isPinMemory

### Signature

```
public
boolean isPinMemory()
```

### Returns

true is the default memory area is a pinned scoped memory area.  
Test to see if the default memory area is a pinned scoped memory area.

Available since RTSJ version RTSJ 2.0

## run

### Signature

```
public final
void run()
```

When used as part of the internal mechanism activated by firing an async event, this method's detailed semantics are defined by the scheduler associated with this handler. The general outline is:

```
enter initial memory area
while (fireCount > 0)
{
    [initiate release]
    fireCount--;
    try { handleAsyncEvent(); }
    catch (Throwable th) { th.printStackTrace(); }
    [effect completion]
```

---

<sup>102</sup>Section 8.4.3.4

```

    }
    leave initial memory area

```

All throwables from (or propagated through) `handleAsyncEvent`<sup>103</sup> are caught, a stack trace is printed and execution continues as if `handleAsyncEvent` had returned normally.

When it is directly invoked, this method invokes `handleAsyncEvent`<sup>104</sup> repeatedly while the `fireCount` is greater than zero; e.g.,

```

while (getAndDecrementPendingFireCount() > 0)
{
    enter initial memory area
    handleAsyncEvent();
    leave initial memory area
}

```

however direct invocation of `run` is not recommended as it may interact with the normal release of this handler.

Applications cannot override this method and thus should use the `logic` parameter at construction, or override `handleAsyncEvent()` in subclasses with the logic of the handler.

#### 8.4.3.6 AsyncLongEvent

---

##### Inheritance

```

java.lang.Object
  javax.realtime.AbstractAsyncEvent
  javax.realtime.AsyncLongEvent

```

##### 8.4.3.6.1 Constructors

---

## AsyncLongEvent

### *Signature*

```

public
    AsyncLongEvent()

```

---

<sup>103</sup>Section 8.4.3.5.2

<sup>104</sup>Section 8.4.3.5.2

Create a new `AsyncEvent` object.

#### 8.4.3.6.2 Methods

---

### **fire(long)**

*Signature*

```
public
void fire(long value)
```

*Throws*

*MITViolationException* Thrown under the base priority scheduler's semantics if there is a handler associated with this event that has its MIT violated by the call to `fire` (and it has set the minimum inter-arrival time violation behavior to `MITViolationExcept`). Only the handlers which do not have their MITs violated are released in this situation.

*ArrivalTimeQueueOverflowException* when the queue of arrival time information overflows. Only the handlers which do not cause this exception to be thrown are released in this situation.

When enabled, release the asynchronous events associated with this instance of `AsyncLongEvent` with the `long` passed by `fire(long)`<sup>105</sup>. When no handlers are attached or this object is disabled the method does nothing, i.e., it skips the release.

- When the instance of `AsyncLongEvent` is associated with more than one instance of `AsyncLongEventHandler`<sup>106</sup> with release parameters object of type `AperiodicParameters`<sup>107</sup> and the execution of `fire(long)`<sup>108</sup> introduces the requirement to throw at least one type of exception, then all instances of `AsyncLongEventHandler`<sup>109</sup> not affected by the exception are handled normally.
- When this instance of `AsyncLongEvent` is associated with more than one instance of `AsyncLongEventHandler`<sup>110</sup> with release parameters object of type `SporadicParameters`<sup>111</sup> and the execution of `fire(long)`<sup>112</sup> introduces the simultaneous requirement to throw more than one type of exception or error,

---

<sup>105</sup>Section 8.4.3.6.2

<sup>106</sup>Section 8.4.3.7

<sup>107</sup>Section 6.4.2.2

<sup>108</sup>Section 8.4.3.6.2

<sup>109</sup>Section 8.4.3.7

<sup>110</sup>Section 8.4.3.7

<sup>111</sup>Section 6.4.2.11

<sup>112</sup>Section 8.4.3.6.2

then `MITViolationException`<sup>113</sup> has precedence over `ArrivalTimeQueueOverflowException`<sup>114</sup>.

### 8.4.3.7 AsyncLongEventHandler

---

#### Inheritance

```
java.lang.Object
  javax.realtime.AbstractAsyncEventHandler
    javax.realtime.AsyncLongEventHandler
```

A version of `AbstractAsyncEventHandler`<sup>115</sup> that carries a long value as payload.

Available since RTSJ version RTSJ 2.0

#### 8.4.3.7.1 Constructors

---

### AsyncLongEventHandler

#### *Signature*

```
public
  AsyncLongEventHandler()
```

Create an instance of `AsyncLongEventHandler` with default values for all parameters.

See Section `AsyncLongEventHandler(SchedulingParameters, ReleaseParameters, MemoryParameters, MemoryArea, ProcessingGroupParameters, ConfigurationParameters, boolean)`

Available since RTSJ version RTSJ 2.0

---

<sup>113</sup>Section [14.2.2.8](#)

<sup>114</sup>Section [14.2.2.1](#)

<sup>115</sup>Section [8.4.3.2](#)



## AsyncLongEventHandler(boolean)

### Signature

```
public
    AsyncLongEventHandler(boolean nonheap)
```

### Parameters

*nonheap* flag for the new handler.

Calling this constructor is equivalent to calling `AsyncLongEventHandler(SchedulingParameters, ReleaseParameters, MemoryParameters, MemoryArea, ProcessingGroupParameters, ConfigurationParameters, boolean)`<sup>116</sup> with arguments (null, null, null, null, false, null, null, nonheap).

See Section `AsyncLongEventHandler(SchedulingParameters, ReleaseParameters, MemoryParameters, MemoryArea, ProcessingGroupParameters, ConfigurationParameters, boolean)`

Available since RTSJ version RTSJ 2.0

## AsyncLongEventHandler(SchedulingParameters, ReleaseParameters, boolean)

### Signature

```
public
    AsyncLongEventHandler(SchedulingParameters scheduling, ReleaseParameters release, boolean noHeap)
```

### Parameters

*scheduling* parameters for the new handler.

*release* parameters for the new handler.

*noHeap* flag for the new handler.

Calling this constructor is equivalent to calling `AsyncLongEventHandler(SchedulingParameters, ReleaseParameters, MemoryParameters, MemoryArea, ProcessingGroupParameters, ConfigurationParameters, boolean)`<sup>117</sup> with arguments (scheduling, release, null, null, false, null, null, nonheap)

---

<sup>116</sup>Section 8.4.3.7.1

<sup>117</sup>Section 8.4.3.7.1

See Section `AsyncLongEventHandler(SchedulingParameters, ReleaseParameters, MemoryParameters, MemoryArea, ProcessingGroupParameters, ConfigurationParameters, boolean)`

**Available since RTSJ version RTSJ 2.0**

## **AsyncLongEventHandler(SchedulingParameters, ReleaseParameters, ConfigurationParameters, boolean)**

*Signature*

```
public
    AsyncLongEventHandler(SchedulingParameters scheduling, ReleaseParameters
```

*Parameters*

*scheduling* parameters for the new handler.

*release* parameters for the new handler.

*sizing* parameters for the new handler.

*noHeap* flag for the new handler.

Calling this constructor is equivalent to calling `AsyncLongEventHandler(SchedulingParameters, ReleaseParameters, MemoryParameters, MemoryArea, ProcessingGroupParameters, ConfigurationParameters, boolean)`<sup>118</sup> with arguments (scheduling, release, null, null, null, null, nonheap).

See Section `AsyncLongEventHandler(SchedulingParameters, ReleaseParameters, MemoryParameters, MemoryArea, ProcessingGroupParameters, ConfigurationParameters, boolean)`

**Available since RTSJ version RTSJ 2.0**

## **AsyncLongEventHandler(SchedulingParameters, ReleaseParameters, MemoryParameters, MemoryArea, ProcessingGroupParameters, boolean)**

*Signature*

---

<sup>118</sup>Section 8.4.3.7.1

```
public
    AsyncLongEventHandler(SchedulingParameters scheduling, ReleaseParameters relea
```

#### Parameters

*scheduling* parameters for the new handler.

*release* parameters for the new handler.

*memory* parameters for the new handler.

*area* in which to run the new handler.

*group* parameters for the new handler.

*nonheap* flag for the new handler.

Calling this constructor is equivalent to calling `AsyncLongEventHandler(SchedulingParameters, ReleaseParameters, MemoryParameters, MemoryArea, ProcessingGroupParameters, ConfigurationParameters, boolean)`<sup>119</sup> with arguments (`scheduling`, `release`, `memory`, `area`, `false`, `group`, `null`, `nonheap`).

See Section `AsyncLongEventHandler(SchedulingParameters, ReleaseParameters, MemoryParameters, MemoryArea, ProcessingGroupParameters, ConfigurationParameters, boolean)`

Available since RTSJ version RTSJ 2.0

### **AsyncLongEventHandler(SchedulingParameters, ReleaseParameters, MemoryParameters, MemoryArea, ProcessingGroupParameters, ConfigurationParameters, boolean)**

#### Signature

```
public
    AsyncLongEventHandler(SchedulingParameters scheduling, ReleaseParameters relea
```

#### Parameters

*scheduling* parameters for the new handler.

*release* parameters for the new handler.

*memory* parameters for the new handler.

*area* in which to run the new handler.

*group* parameters for the new handler.

*sizing* parameters for the new handler.

---

<sup>119</sup>Section [8.4.3.7.1](#)

*noHeap* flag for the new handler.

Calling this constructor is equivalent to calling `AsyncLongEventHandler(SchedulingParameters, ReleaseParameters, MemoryParameters, MemoryArea, ProcessingGroupParameters, ConfigurationParameters, boolean)`<sup>120</sup> with the arguments (`scheduling`, `release`, `memory`, `area`, `group`, `sizing`, `false`).

See Section `AsyncLongEventHandler(SchedulingParameters, ReleaseParameters, MemoryParameters, MemoryArea, ProcessingGroupParameters, ConfigurationParameters, boolean)`

Available since RTSJ version RTSJ 2.0

#### 8.4.3.7.2 Methods

---

### `handleAsyncEvent(long)`

*Signature*

```
public
void handleAsyncEvent(long value)
```

This method holds the logic which is to be executed when any `AsyncEvent`<sup>121</sup> with which this handler is associated is fired. This method will be invoked repeatedly while `fireCount` is greater than zero.

This ALEH is a source of reference for its initial memory area while this ALEH is released.

All throwables from (or propagated through) `handleAsyncEvent` are caught, a stack trace is printed and execution continues as if `handleAsyncEvent` had returned normally.

Available since RTSJ version RTSJ 2.0

### `peekPending`

*Signature*

```
public
```

---

<sup>120</sup>Section 8.4.3.7.1

<sup>121</sup>Section 8.4.3.4

```
long peekPending()
```

*Throws*

*IllegalStateException* when the fire count is zero.

*Returns*

The long value at the head of the queue of longs to be passed to `handleAsyncEvent(long)`<sup>122</sup>.

**Available since RTSJ version RTSJ 2.0**

## run

*Signature*

```
public final
void run()
```

When used as part of the internal mechanism activated by firing an async event, this method's detailed semantics are defined by the scheduler associated with this handler. The general outline is as follows:

```
enter initial memory area
while (fireCount > 0)
{
    [initiate release]
    fireCount--;
    try
    {
        handleAsyncEvent(value);
    }
    catch (Throwable th)
    {
        th.printStackTrace();
    }
    [effect completion]
}
leave initial memory area
```

All throwables from (or propagated through) `handleAsyncEvent`<sup>123</sup> are caught, a stack trace is printed and execution continues as if `handleAsyncEvent` had returned normally.

When it is directly invoked, this method invokes `handleAsyncEvent`<sup>124</sup> repeat-

---

<sup>122</sup>Section 8.4.3.7.2

<sup>123</sup>Section 8.4.3.7.2

<sup>124</sup>Section 8.4.3.7.2

```

edly while the fireCount is greater than zero; e.g.,
while (getAndDecrementPendingFireCount() > 0)
  enter initial memory area
  handleAsyncEvent(value);
  leave initial memory area

```

however direct invocation of `run` is not recommended as it may interact with the normal release of this handler.

Applications cannot override this method and thus should use the `logic` parameter at construction, or override `handleAsyncEvent()` in subclasses with the logic of the handler.

#### 8.4.3.8 AsyncObjectEvent

---

##### Inheritance

```

java.lang.Object
  javax.realtime.AbstractAsyncEvent
    javax.realtime.AsyncObjectEvent

```

##### 8.4.3.8.1 Constructors

---

### AsyncObjectEvent

#### *Signature*

```

public
  AsyncObjectEvent()

```

Create a new `AsyncEvent` object.

##### 8.4.3.8.2 Methods

---

### **fire(Object)**

#### *Signature*

```
public
void fire(Object value)
```

*Throws*

*MITViolationException* Thrown under the base priority scheduler's semantics if there is a handler associated with this event that has its MIT violated by the call to `fire` (and it has set the minimum inter-arrival time violation behavior to `MITViolationExcept`). Only the handlers which do not have their MITs violated are released in this situation.

*ArrivalTimeQueueOverflowException* when the queue of arrival time information overflows. Only the handlers which do not cause this exception to be thrown are released in this situation.

When enabled, `fire` this instance of `AsyncObjectEvent`. The asynchronous event handlers associated with this event will be released with the object passed by `{link fire(Object)125}`. When no handlers are attached or this object is disabled the method does nothing, i.e., it skips the release.

- If the instance of `AsyncObjectEvent` is associated with more than one instance of `AsyncObjectEventHandler`<sup>126</sup> with release parameters object of type `AperiodicParameters`<sup>127</sup> and the execution of `fire(Object)`<sup>128</sup> introduces the requirement to throw at least one type of exception, then all instances of `AsyncObjectEventHandler`<sup>129</sup> not affected by the exception are handled normally.
- If this instance of `AsyncObjectEvent` is associated with more than one instance of `AsyncObjectEventHandler`<sup>130</sup> with release parameters object of type `SporadicParameters`<sup>131</sup> and the execution of `fire(Object)`<sup>132</sup> introduces the simultaneous requirement to throw more than one type of exception or error, then `MITViolationException`<sup>133</sup> has precedence over `ArrivalTimeQueueOverflowException`<sup>134</sup>.

#### 8.4.3.9 AsyncObjectEventHandler

---

<sup>125</sup>Section 8.4.3.8.2

<sup>126</sup>Section 8.4.3.9

<sup>127</sup>Section 6.4.2.2

<sup>128</sup>Section 8.4.3.8.2

<sup>129</sup>Section 8.4.3.9

<sup>130</sup>Section 8.4.3.9

<sup>131</sup>Section 6.4.2.11

<sup>132</sup>Section 8.4.3.8.2

<sup>133</sup>Section 14.2.2.8

<sup>134</sup>Section 14.2.2.1

**Inheritance**

```
java.lang.Object
  javax.realtime.AbstractAsyncEventHandler
  javax.realtime.AsyncObjectEventHandler
```

A version of [AbstractAsyncEventHandler](#)<sup>135</sup> that carries an `Object` value as payload.

Available since RTSJ version RTSJ 2.0

**8.4.3.9.1 Constructors**

---

**AsyncObjectEventHandler***Signature*

```
public
  AsyncObjectEventHandler()
```

Create an instance of `AsyncObjectEventHandler` with default values for all parameters.

See Section `AsyncObjectEventHandler(SchedulingParameters, ReleaseParameters, MemoryParameters, MemoryArea, ProcessingGroupParameters, ConfigurationParameters, boolean)`

Available since RTSJ version RTSJ 2.0

**AsyncObjectEventHandler(boolean)***Signature*

```
public
  AsyncObjectEventHandler(boolean nonheap)
```

*Parameters*

---

<sup>135</sup>Section [8.4.3.2](#)



*nonheap* flag for the new handler.

Calling this constructor is equivalent to calling `AsyncObjectEventHandler(SchedulingParameters, ReleaseParameters, MemoryParameters, MemoryArea, ProcessingGroupParameters, ConfigurationParameters, boolean)`<sup>136</sup> with arguments (null, null, null, null, false, null, null, nonheap).

See Section `AsyncObjectEventHandler(SchedulingParameters, ReleaseParameters, MemoryParameters, MemoryArea, ProcessingGroupParameters, ConfigurationParameters, boolean)`

**Available since RTSJ version RTSJ 2.0**

## **AsyncObjectEventHandler(SchedulingParameters, ReleaseParameters, boolean)**

*Signature*

```
public
    AsyncObjectEventHandler(SchedulingParameters scheduling, ReleaseParameters rel
```

*Parameters*

*scheduling* parameters for the new handler.

*release* parameters for the new handler.

*noHeap* flag for the new handler.

Calling this constructor is equivalent to calling `AsyncObjectEventHandler(SchedulingParameters, ReleaseParameters, MemoryParameters, MemoryArea, ProcessingGroupParameters, ConfigurationParameters, boolean)`<sup>137</sup> with arguments (scheduling, release, null, null, false, null, null, nonheap)

See Section `AsyncObjectEventHandler(SchedulingParameters, ReleaseParameters, MemoryParameters, MemoryArea, ProcessingGroupParameters, ConfigurationParameters, boolean)`

**Available since RTSJ version RTSJ 2.0**

---

<sup>136</sup>Section 8.4.3.9.1

<sup>137</sup>Section 8.4.3.9.1

## AsyncObjectEventHandler(SchedulingParameters, ReleaseParameters, ConfigurationParameters, boolean)

### Signature

```
public
    AsyncObjectEventHandler(SchedulingParameters scheduling, ReleaseParameters
```

### Parameters

*scheduling* parameters for the new handler.

*release* parameters for the new handler.

*sizing* parameters for the new handler.

*noHeap* flag for the new handler.

Calling this constructor is equivalent to calling `AsyncObjectEventHandler(SchedulingParameters, ReleaseParameters, MemoryParameters, MemoryArea, ProcessingGroupParameters, ConfigurationParameters, boolean)`<sup>138</sup> with arguments (`scheduling`, `release`, `null`, `null`, `null`, `null`, `nonheap`).

See Section `AsyncObjectEventHandler(SchedulingParameters, ReleaseParameters, MemoryParameters, MemoryArea, ProcessingGroupParameters, ConfigurationParameters, boolean)`

Available since RTSJ version RTSJ 2.0

## AsyncObjectEventHandler(SchedulingParameters, ReleaseParameters, MemoryParameters, MemoryArea, ProcessingGroupParameters, boolean)

### Signature

```
public
    AsyncObjectEventHandler(SchedulingParameters scheduling, ReleaseParameters
```

### Parameters

*scheduling* parameters for the new handler.

*release* parameters for the new handler.

*memory* parameters for the new handler.

---

<sup>138</sup>Section 8.4.3.9.1

*area* in which to run the new handler.  
*group* parameters for the new handler.  
*nonheap* flag for the new handler.

Calling this constructor is equivalent to calling `AsyncObjectEventHandler(SchedulingParameters, ReleaseParameters, MemoryParameters, MemoryArea, ProcessingGroupParameters, ConfigurationParameters, boolean)`<sup>139</sup> with arguments (scheduling, release, memory, area, false, group, null, nonheap).

See Section `AsyncObjectEventHandler(SchedulingParameters, ReleaseParameters, MemoryParameters, MemoryArea, ProcessingGroupParameters, ConfigurationParameters, boolean)`

Available since RTSJ version RTSJ 2.0

## **AsyncObjectEventHandler(SchedulingParameters, ReleaseParameters, MemoryParameters, MemoryArea, ProcessingGroupParameters, ConfigurationParameters, boolean)**

*Signature*

```
public
    AsyncObjectEventHandler(SchedulingParameters scheduling, ReleaseParameters rel
```

*Parameters*

*scheduling* parameters for the new handler.  
*release* parameters for the new handler.  
*memory* parameters for the new handler.  
*area* in which to run the new handler.  
*group* parameters for the new handler.  
*sizing* parameters for the new handler.  
*noHeap* flag for the new handler.

Calling this constructor is equivalent to calling `AsyncObjectEventHandler(SchedulingParameters, ReleaseParameters, MemoryParameters, MemoryArea, ProcessingGroupParameters, ConfigurationParameters, boolean)`<sup>140</sup> with the arguments (scheduling, release, memory, area, group, sizing, false).

See Section `AsyncObjectEventHandler(SchedulingParameters, ReleaseParameters,`

---

<sup>139</sup>Section 8.4.3.9.1

<sup>140</sup>Section 8.4.3.9.1

MemoryParameters, MemoryArea, ProcessingGroupParameters, ConfigurationParameters, boolean))

**Available since RTSJ version RTSJ 2.0**

#### 8.4.3.9.2 Methods

---

### handleAsyncEvent(Payload)

*Signature*

```
void handleAsyncEvent(Payload value)
```

This method holds the logic which is to be executed when any [AsyncEvent](#)<sup>141</sup> with which this handler is associated is fired. This method will be invoked repeatedly while `fireCount` is greater than zero.

The default implementation of this method invokes the `run` method of any non-null `logic` instance passed to the constructor of this handler.

This AOEH is a source of reference for its initial memory area while this AOEH is released.

All throwables from (or propagated through) `handleAsyncEvent` are caught, a stack trace is printed and execution continues as if `handleAsyncEvent` had returned normally.

**Available since RTSJ version RTSJ 2.0**

### peekPending

*Signature*

```
public  
Payload peekPending()
```

*Throws*

*IllegalStateException* when the fire count is zero.

*Returns*

---

<sup>141</sup>Section [8.4.3.4](#)

The object reference at the head of the queue of object references to be passed to `handleAsyncEvent(Payload)`<sup>142</sup>.

Available since RTSJ version RTSJ 2.0

## run

*Signature*

```
public final
void run()
```

When used as part of the internal mechanism activated by firing an async event, this method's detailed semantics are defined by the scheduler associated with this handler. The general outline is:

```
enter initial memory area
while (fireCount > 0)
{
    [initiate release]
    fireCount--;
    try { handleAsyncEvent(value); }
    catch (Throwable th) { th.printStackTrace(); }
    [effect completion]
}
leave initial memory area
```

All throwables from (or propagated through) `handleAsyncEvent`<sup>143</sup> are caught, a stack trace is printed and execution continues as if `handleAsyncEvent` had returned normally.

When it is directly invoked, this method invokes `handleAsyncEvent`<sup>144</sup> repeatedly while the `fireCount` is greater than zero; e.g.,

```
while (getAndDecrementPendingFireCount() > 0)
{
    enter initial memory area
    handleAsyncEvent(value);
    leave initial memory area
}
```

however direct invocation of `run` is not recommended as it may interact with the normal release of this handler.

---

<sup>142</sup>Section 8.4.3.9.2

<sup>143</sup>Section 8.4.3.9.2

<sup>144</sup>Section 8.4.3.9.2

Applications cannot override this method and thus should use the `logic` parameter at construction, or override `handleAsyncEvent()` in subclasses with the logic of the handler.

#### 8.4.3.10 BoundAsyncEventHandler

---

##### Inheritance

```

java.lang.Object
  javax.realtime.AbstractAsyncEventHandler
    javax.realtime.AsyncEventHandler
      javax.realtime.BoundAsyncEventHandler
  
```

##### Interfaces

```

BoundAbstractAsyncEventHandler
  
```

A bound asynchronous event handler is an instance of `AsyncEventHandler`<sup>145</sup> that is permanently bound to a dedicated realtime thread. Bound asynchronous event handlers are for use in situations where the added timeliness is worth the overhead of dedicating an individual realtime thread to the handler. Individual server realtime threads can only be dedicated to a single bound event handler.

##### 8.4.3.10.1 Constructors

---

### BoundAsyncEventHandler

#### Signature

```

public
  BoundAsyncEventHandler()
  
```

Create an instance of `BoundAsyncEventHandler` using default values. This constructor is equivalent to `BoundAsyncEventHandler(null, null, null, null, null, false, null)`

### BoundAsyncEventHandler(SchedulingParameters, ReleaseParameters, boolean)

#### Signature

---

<sup>145</sup>Section 8.4.3.5

```
public
    BoundAsyncEventHandler(SchedulingParameters scheduling, ReleaseParameters rele
```

*Parameters*

*scheduling*  
*release*  
*noHeap*

Available since RTSJ version RTSJ 2.0

### **BoundAsyncEventHandler(SchedulingParameters, ReleaseParameters, boolean, Runnable)**

*Signature*

```
public
    BoundAsyncEventHandler(SchedulingParameters scheduling, ReleaseParameters rele
```

*Parameters*

*scheduling*  
*release*  
*noHeap*  
*logic*

Available since RTSJ version RTSJ 2.0

### **BoundAsyncEventHandler(SchedulingParameters, ReleaseParameters, MemoryParameters, MemoryArea, ProcessingGroupParameters, boolean, Runnable)**

*Signature*

```
public
    BoundAsyncEventHandler(SchedulingParameters scheduling, ReleaseParameters rele
```

*Parameters*

*scheduling* A `SchedulingParameters`<sup>146</sup> object which will be associated with the constructed instance. If `null`, and the creator is a Java thread, a `SchedulingParameters` object is created which has the default `SchedulingParameters` for the scheduler associated with the current thread. If `null`, and the creator is a schedulable object, the `SchedulingParameters` are inherited from the current schedulable (a new `SchedulingParameters` object is cloned).

*release* A `ReleaseParameters`<sup>147</sup> object which will be associated with the constructed instance. If `null`, this will have default `ReleaseParameters` for the BAEH's scheduler.

*memory* A `MemoryParameters`<sup>148</sup> object which will be associated with the constructed instance. If `null`, this will have no `MemoryParameters`.

*area* The `MemoryArea`<sup>149</sup> for this. If `null`, the memory area will be that of the current thread/schedulable.

*group* A `ProcessingGroupParameters`<sup>150</sup> object which will be associated with the constructed instance. If `null`, this will not be associated with any processing group.

*logic* The `Runnable` object whose `run()` method is executed by `handleAsyncEvent()`<sup>151</sup>. If `null`, the default `handleAsyncEvent()`<sup>152</sup> method invokes nothing.

*nonheap* A flag meaning, when true, that this will have characteristics identical to a `NoHeapRealtimeThread`<sup>153</sup>. A false value means this will have characteristics identical to a `RealtimeThread`<sup>154</sup>. If true and the current thread/schedulable is *not* executing within a `ScopedMemory`<sup>155</sup> or `ImmortalMemory`<sup>156</sup> scope then an `name` is thrown.

#### Throws

*IllegalArgumentException* when `nonheap` is true and `logic`, any parameter object, or `this` is in heap memory. Also when `noheap` is true and `area` is heap memory.

*IllegalAssignmentError* when the new `AsyncEventHandler` instance cannot hold a reference to non-null values of `scheduling` `release` `memory` and `group`, or if those parameters cannot hold a reference to the new `AsyncEventHandler`. Also when the new `AsyncEventHandler` instance cannot hold a reference to

---

<sup>146</sup>Section 6.4.2.10

<sup>147</sup>Section 6.4.2.8

<sup>148</sup>Section 11.4.3.8

<sup>149</sup>Section 11.4.3.7

<sup>150</sup>Section 6.4.2.7

<sup>151</sup>Section ??

<sup>152</sup>Section ??

<sup>153</sup>Section 15.3.2.1

<sup>154</sup>Section 5.3.2.2

<sup>155</sup>Section 11.4.3.12

<sup>156</sup>Section 11.4.3.3



non-null values of `area` and `logic`.

Create an instance of `BoundAsyncEventHandler` with the specified parameters.

The newly-created handler inherits the affinity of its creator unless it was created by a Java thread or an unbound asynchronous event handler. In these cases, the affinity is that which is returned from `Affinity.getHeapDefault()`<sup>157</sup> or `Affinity.getNoHeapDefault()`<sup>158</sup>, depending on the value of the `noHeap` parameter. If the newly-created handler has `ProcessingGroupParameters`<sup>159</sup> and the intersection of the group's affinity and the newly-created handler's affinity (as specified above) is null, then the newly-created handler's affinity is set to that which is returned by `Affinity.getProcessingGroupDefault`<sup>160</sup>.

#### 8.4.3.11 BoundAsyncLongEventHandler

---

##### Inheritance

```
java.lang.Object
  javax.realtime.AbstractAsyncEventHandler
    javax.realtime.AsyncLongEventHandler
      javax.realtime.BoundAsyncLongEventHandler
```

##### Interfaces

```
BoundAbstractAsyncEventHandler
```

A bound asynchronous event handler is an instance of `AsyncEventHandler`<sup>161</sup> that is permanently bound to a dedicated realtime thread. Bound asynchronous event handlers are for use in situations where the added timeliness is worth the overhead of dedicating an individual realtime thread to the handler. Individual server realtime threads can only be dedicated to a single bound event handler.

##### 8.4.3.11.1 Constructors

---

## BoundAsyncLongEventHandler

### Signature

---

<sup>157</sup>Section 6.4.2.1.2

<sup>158</sup>Section 6.4.2.1.2

<sup>159</sup>Section 6.4.2.7

<sup>160</sup>Section 6.4.2.1.2

<sup>161</sup>Section 8.4.3.5

```
public
    BoundAsyncLongEventHandler()
```

Create an instance of `BoundAsyncEventHandler` using default values. This constructor is equivalent to `BoundAsyncEventHandler(null, null, null, null, null, false, null)`

### **BoundAsyncLongEventHandler(SchedulingParameters, ReleaseParameters, boolean)**

*Signature*

```
public
    BoundAsyncLongEventHandler(SchedulingParameters scheduling, ReleasePara
```

*Parameters*

*scheduling*

*release*

*noHeap*

Available since RTSJ version RTSJ 2.0

### **BoundAsyncLongEventHandler(SchedulingParameters, ReleaseParameters, boolean, Runnable)**

*Signature*

```
public
    BoundAsyncLongEventHandler(SchedulingParameters scheduling, ReleasePara
```

*Parameters*

*scheduling*

*release*

*noHeap*

*logic*

Available since RTSJ version RTSJ 2.0

## BoundAsyncLongEventHandler(SchedulingParameters, ReleaseParameters, MemoryParameters, MemoryArea, ProcessingGroupParameters, boolean, Runnable)

### Signature

```
public
    BoundAsyncLongEventHandler(SchedulingParameters scheduling, ReleaseParameters
```

### Parameters

*scheduling* A [SchedulingParameters](#)<sup>162</sup> object which will be associated with the constructed instance. If `null`, and the creator is a Java thread, a `SchedulingParameters` object is created which has the default `SchedulingParameters` for the scheduler associated with the current thread. If `null`, and the creator is a schedulable, the `SchedulingParameters` are inherited from the current schedulable (a new `SchedulingParameters` object is cloned).

*release* A [ReleaseParameters](#)<sup>163</sup> object which will be associated with the constructed instance. If `null`, this will have default `ReleaseParameters` for the BAEH's scheduler.

*memory* A [MemoryParameters](#)<sup>164</sup> object which will be associated with the constructed instance. If `null`, this will have no `MemoryParameters`.

*area* The [MemoryArea](#)<sup>165</sup> for this. If `null`, the memory area will be that of the current thread/schedulable.

*group* A [ProcessingGroupParameters](#)<sup>166</sup> object which will be associated with the constructed instance. If `null`, this will not be associated with any processing group.

*logic* The `Runnable` object whose `run()` method is executed by `handleAsyncEvent(long)`<sup>167</sup>. If `null`, the default `handleAsyncEvent(long)`<sup>168</sup> method invokes nothing.

*nonheap* A flag meaning, when true, that this will have characteristics identical to a [NoHeapRealtimeThread](#)<sup>169</sup>. A false value means this will have characteristics identical to a [RealtimeThread](#)<sup>170</sup>. If true and the current thread/schedulable

---

<sup>162</sup>Section [6.4.2.10](#)

<sup>163</sup>Section [6.4.2.8](#)

<sup>164</sup>Section [11.4.3.8](#)

<sup>165</sup>Section [11.4.3.7](#)

<sup>166</sup>Section [6.4.2.7](#)

<sup>167</sup>Section ??

<sup>168</sup>Section ??

<sup>169</sup>Section [15.3.2.1](#)

<sup>170</sup>Section [5.3.2.2](#)

is *not* executing within a [ScopedMemory](#)<sup>171</sup> or [ImmortalMemory](#)<sup>172</sup> scope then an **name** is thrown.

*Throws*

*IllegalArgumentException* when **nonheap** is true and **logic**, any parameter object, or **this** is in heap memory. Also when **noheap** is true and **area** is heap memory.

*IllegalAssignmentError* when the new `AsyncEventHandler` instance cannot hold a reference to non-null values of **scheduling** **release** **memory** and **group**, or if those parameters cannot hold a reference to the new `AsyncEventHandler`. Also when the new `AsyncEventHandler` instance cannot hold a reference to non-null values of **area** and **logic**.

Create an instance of `BoundAsyncEventHandler` with the specified parameters.

### 8.4.3.12 BoundAsyncObjectEventHandler

---

#### Inheritance

```
java.lang.Object
  javax.realtime.AbstractAsyncEventHandler
    javax.realtime.AsyncObjectEventHandler
      javax.realtime.BoundAsyncObjectEventHandler
```

#### Interfaces

```
BoundAbstractAsyncEventHandler
```

A bound asynchronous event handler is an instance of [AsyncEventHandler](#)<sup>173</sup> that is permanently bound to a dedicated realtime thread. Bound asynchronous event handlers are for use in situations where the added timeliness is worth the overhead of dedicating an individual realtime thread to the handler. Individual server realtime threads can only be dedicated to a single bound event handler.

#### 8.4.3.12.1 Constructors

---

## BoundAsyncObjectEventHandler

### Signature

---

<sup>171</sup>Section [11.4.3.12](#)

<sup>172</sup>Section [11.4.3.3](#)

<sup>173</sup>Section [8.4.3.5](#)

```
public
    BoundAsyncObjectEventHandler()
```

Create an instance of `BoundAsyncEventHandler` using default values. This constructor is equivalent to `BoundAsyncEventHandler(null, null, null, null, null, false, null)`

### **BoundAsyncObjectEventHandler(SchedulingParameters, ReleaseParameters, boolean)**

*Signature*

```
public
    BoundAsyncObjectEventHandler(SchedulingParameters scheduling, ReleaseParameter
```

*Parameters*

*scheduling*

*release*

*noHeap*

Available since RTSJ version RTSJ 2.0

### **BoundAsyncObjectEventHandler(SchedulingParameters, ReleaseParameters, boolean, Runnable)**

*Signature*

```
public
    BoundAsyncObjectEventHandler(SchedulingParameters scheduling, ReleaseParameter
```

*Parameters*

*scheduling*

*release*

*noHeap*

*logic*

Available since RTSJ version RTSJ 2.0

## BoundAsyncObjectEventHandler(SchedulingParameters, ReleaseParameters, MemoryParameters, MemoryArea, ProcessingGroupParameters, boolean, Runnable)

### Signature

```
public
    BoundAsyncObjectEventHandler(SchedulingParameters scheduling, ReleasePa
```

### Parameters

*scheduling* A [SchedulingParameters](#)<sup>174</sup> object which will be associated with the constructed instance. If `null`, and the creator is a Java thread, a `SchedulingParameters` object is created which has the default `SchedulingParameters` for the scheduler associated with the current thread. If `null`, and the creator is a schedulable, the `SchedulingParameters` are inherited from the current schedulable object (a new `SchedulingParameters` object is cloned).

*release* A [ReleaseParameters](#)<sup>175</sup> object which will be associated with the constructed instance. If `null`, this will have default `ReleaseParameters` for the BAEH's scheduler.

*memory* A [MemoryParameters](#)<sup>176</sup> object which will be associated with the constructed instance. If `null`, this will have no `MemoryParameters`.

*area* The [MemoryArea](#)<sup>177</sup> for this. If `null`, the memory area will be that of the current thread/schedulable.

*group* A [ProcessingGroupParameters](#)<sup>178</sup> object which will be associated with the constructed instance. If `null`, this will not be associated with any processing group.

*logic* The `Runnable` object whose `run()` method is executed by `handleAsyncEvent(Object)`. If `null`, the default `handleAsyncEvent(Object)`<sup>180</sup> method invokes nothing.

*nonheap* A flag meaning, when true, that this will have characteristics identical to a [NoHeapRealtimeThread](#)<sup>181</sup>. A false value means this will have characteristics identical to a [RealtimeThread](#)<sup>182</sup>. If true and the current thread/schedulable

---

<sup>174</sup>Section [6.4.2.10](#)

<sup>175</sup>Section [6.4.2.8](#)

<sup>176</sup>Section [11.4.3.8](#)

<sup>177</sup>Section [11.4.3.7](#)

<sup>178</sup>Section [6.4.2.7](#)

<sup>179</sup>Section ??

<sup>180</sup>Section ??

<sup>181</sup>Section [15.3.2.1](#)

<sup>182</sup>Section [5.3.2.2](#)

is *not* executing within a `ScopedMemory`<sup>183</sup> or `ImmortalMemory`<sup>184</sup> scope then an **name** is thrown.

*Throws*

*IllegalArgumentException* when `nonheap` is true and `logic`, any parameter object, or `this` is in heap memory. Also when `noheap` is true and `area` is heap memory.

*IllegalAssignmentError* when the new `AsyncEventHandler` instance cannot hold a reference to non-null values of `scheduling` `release` `memory` and `group`, or if those parameters cannot hold a reference to the new `AsyncEventHandler`. Also when the new `AsyncEventHandler` instance cannot hold a reference to non-null values of `area` and `logic`.

Create an instance of `BoundAsyncEventHandler` with the specified parameters.

## 8.5 Rationale

The design of the asynchronous event handling facilities was intended to provide the necessary functionality while allowing efficient implementations and catering for a variety of realtime applications. In particular, in some realtime systems there may be a large number of potential events and event handlers (numbering in the thousands or perhaps even the tens of thousands), although at any given time only a small number will be used. Thus it would not be appropriate to dedicate a realtime thread to each event handler. The RTSJ addresses this issue by allowing the programmer to specify an event handler either as not bound to a specific realtime thread (the class `AsyncEventHandler`) or alternatively as bound to a dedicated realtime thread (the class `BoundAsyncEventHandler`). The RTSJ does not define at what point a non-bound event handler is bound to a realtime thread for its execution. Events are dataless: the `fire` method does not pass any data to the handler. This was intentional in the interest of simplicity and efficiency. An application that needs to associate data with an `AsyncEvent` can do so explicitly by setting up a buffer; it will then need to deal with buffer overflow issues as required by the application.

The ability to trigger an ATC in a schedulable is necessary in many kinds of realtime applications but must be designed carefully in order to minimize the risks of problems such as data structure corruption and deadlock. There is, invariably, a tension between the desire to cause an ATC to be immediate, and the desire to ensure that certain sections of code are executed to completion.

One basic decision was to allow ATC in a method only if the method explicitly permits this. The default of no ATC is reasonable, since legacy code might be written expecting no ATC, and asynchronously aborting the execution of such a method

---

<sup>183</sup>Section [11.4.3.12](#)

<sup>184</sup>Section [11.4.3.3](#)

could lead to unpredictable results. Since the natural way to model ATC is with an exception (`AsynchronouslyInterruptedException`), the way that a method indicates its susceptibility to ATC is by including `AsynchronouslyInterruptedException` in its `throws` clause. Causing this exception to be thrown in a realtime thread `t` as an effect of calling `t.interrupt()` was a natural extension of the semantics of `interrupt` as currently defined by `java.lang.Thread`.

One ATC-deferred section is `synchronized` code. This is a context that needs to be executed completely in order to ensure a program operates correctly. If `synchronized` code were aborted, a shared object could be left in an inconsistent state. Note that by making `synchronized` code ATC-deferred, this specification avoids the problems that caused `Thread.stop()` to be deprecated and that have made the use of `Thread.destroy()`, (now also deprecated in Java 1.5) prone to deadlock. If `synchronized` code calls an AI-method and an associated AIE is generated, then if no appropriate handler is present in the `synchronized` code, the AIE will propagate through the code.

Constructors and `finally` clauses are subject to interruption if the program indicates so. However, if a constructor is aborted, an object might be only partially initialized. If the execution of a `finally` clause in an AI-method is aborted, needed cleanup code might not be performed. Indeed, a `finally` clause in an aborted AI-method will not be executed at all if the abort occurs before its execution begins. It is the programmer's responsibility to ensure that executing these constructs either does not induce unwanted ATC latency (if ATCs are not allowed) or does not produce undesirable results (if ATCs are allowed).

A potential problem with using the exception mechanism to model ATC is that a method with a "catch-all" handler (for example a `catch` clause identifying `Exception` or even `Throwable` as the exception class) can inadvertently intercept an exception intended for a caller. This problem is avoided by having special semantics for catching an AIE. Even though a `catch` clause may catch an AIE, the exception will be propagated unless the handler invokes the `happened` method from AIE. Thus, if a schedulable is asynchronously interrupted while in a `try` block that has a handler such as

```
catch (Throwable e) return;
```

the AIE will remain pending and will be thrown next time control enters or returns to an AI method.

This specification does not provide a special mechanism for terminating a realtime thread; ATC can be used to achieve this effect. This means that, by default, a realtime thread cannot be asynchronously terminated; to support asynchronous termination it needs to enter methods that are AI enabled at frequent intervals. Allowing termination as the default would have been questionable, bringing the same insecurities that are found in `Thread.stop()` and `Thread.destroy()`.



# Chapter 9

## Time

### 9.1 Overview

Realtime systems must be able to handle both very short time durations and very long ones. They also need to distinguish between relative time—a duration of time—and absolute time. Simply using a primitive integral value, such as `int` or `long`, does not provide the necessary range. Floating point primitive values, such as `float` and `double`, do not provide the necessary precision. Neither provides any type safety. This specification addresses this by requiring three time classes: `HighResolutionTime`, `AbsoluteTime`, and `RelativeTime`, where `HighResolutionTime` is the parent class of the other two.

Instances of `HighResolutionTime` are not created, as the class exists to provide an implementation of the other three classes. An instance of `AbsoluteTime` encapsulates an absolute time. An instance of `RelativeTime` encapsulates a point in time that is relative to some other time value.

All methods returning a time object come in both allocating and nonallocating forms. The classes

- enable describing a point in time with up to nanosecond accuracy and precision (actual accuracy and precision is dependent on the precision of the underlying system),
- enable the distinction between absolute points in time, and times relative to some starting point, and
- provide simple arithmetic operations for using them.

All time handling is based on these classes.

### 9.2 Definitions

The following terms and abbreviations will be used.

A *time object* is an instance of `AbsoluteTime` or `RelativeTime`.

A *time object* is always associated with a `clock`. By default it is associated with the realtime clock.

The *Epoch* is the standard base time, conventionally January 1 00:00:00 GMT 1970. It is the point from which the realtime clock measures absolute time.

The *time value representation* is a compound format composed of 64 bits of millisecond timing, and 32 bits of nanoseconds within a millisecond. The millisecond constituent uses the 64 bits of a Java `long` while the nanosecond constituent uses the 32 bits of a Java `int`.

The *normalized (canonical) form* for time objects uniquely specifies the values for the millisecond and nanosecond components of a point in time, including the case of 0 milliseconds or 0 nanoseconds, and a negative time value, according to the following three rules:

- When both millisecond and nanosecond components are nonzero they have the same sign. The algebraic time value of the time object is the algebraic sum of the two components.
- The millisecond component represents the algebraic number of milliseconds in the time object, with a range of  $[-2^{63}, 2^{63} - 1]$
- The nanosecond component represents the algebraic number of nanoseconds within a millisecond in the time object, that is  $[-10^6 + 1, 10^6 - 1]$ .

Instances of `HighResolutionTime` classes always hold a normalized form of a time value. Values that cannot be normalized are not valid; for example, (`MAX_LONG` milliseconds, `MAX_INT` nanoseconds) cannot be normalized and is an illegal value.

The following table has examples of normalized representations.

time in ns	millis	nanos
2000000	2	0
1999999	1	999999
1000001	1	1
1	0	1
0	0	0
-1	0	-1
-999999	0	-999999
-1000000	-1	0
-1000001	-1	-1

### 9.3 Semantics

This list establishes the semantics that are applicable across the classes of this section. Semantics that apply to particular classes, constructors, methods, and fields will be found in the class description and the constructor, method, and field

detail sections.

- All time objects must maintain nanosecond precision and report their values in terms of millisecond and nanosecond constituents.
- Time objects must be constructed from other time objects, from millisecond/nanosecond values, from a `java.util.Date` or obtained as a result of invocations of methods on instances of the `Clock` class.
- Time objects maintain and report time values in normalized form, but the normalized form is not required for input parameter values. This allows computations individually with time constituent parts using the full *signed* range and restrictions of the underlying type.
  - Normalization is accomplished upon method invocation by methods that accept a time object represented with individual component parts, and executed as if the following hold.
    - \* The nanosecond parameter value, which may be negative, is algebraically added to the scaled millisecond parameter value. The sign of the result provides the sign for any nonzero resulting component.
    - \* The absolute of the result is then partitioned, giving the number of integral milliseconds for the millisecond component, while the remaining fractional part provides the number of nanoseconds for the nanosecond component.
    - \* The resulting components are then represented, and reported when necessary, with the above computed sign.
  - Normalization is also performed on the result of operations by methods that perform time object addition and subtraction. Operations are executed using the appropriate arithmetic precision. If the final result of an operation can be represented in normalized form, then the operation must not throw arithmetic exceptions while producing intermediate results.
  - The results of time objects operations and the normalization of results of operations performed with `millis` and `nanos`, individually as Java `long` and Java `int` types respectively, are not always equivalent. This is due to the possibility of overflow for `nanos` values outside of the normalized nanosecond range, that is  $[-10^6 + 1, 10^6 - 1]$ , when performing operations as `int` types, while the same values could be handled with no overflow in time object operations.
  - When invoking setter methods that take as a parameter only one of the two time value components, the other component has implicitly the value of 0.
- Although logically a negative time may represent time before the Epoch or a negative time interval involved in time operations, an `Exception` may be thrown if a negative absolute time or a negative time interval is given as a parameter to methods. In general, the time values accepted by a method may

be a subset of the full time values range, and depend on the method.

- A *time object* is always associated with a `clock`. By default it is associated with the realtime clock. Clocks are involved both in the setting as well as the usage of time objects, for example in comparisons.
- Methods are provided to facilitate the handling of time objects generically via the `HighResolutionTime` class. These methods allow the conversion, according to a `clock`, between `AbsoluteTime` objects and `RelativeTime` objects. These methods also allow the change of `clock` association of a time object. Note that the conversions depend on the time at which they are performed. The semantics of these operations are listed in the following table:

clock association and conversion this has clock_a and ms,ns	returned/updated object
<code>this_is_absolute.absolute(clock_a)</code>	<code>clock_a</code> <code>ms,ns</code>
<code>this_is_absolute.absolute(clock_b)</code>	<code>clock_b</code> <code>ms,ns</code>
<code>this_is_absolute.absolute(null)</code>	<code>realtime_clock</code> <code>ms,ns</code>
<code>this_is_absolute.relative(clock_a)</code>	<code>clock_a</code> <code>clock_a.getTime().subtract(ms,ns)</code>
<code>this_is_absolute.relative(clock_b)</code>	<code>clock_b</code> <code>clock_b.getTime().subtract(ms,ns)</code>
<code>this_is_absolute.relative(null)</code>	<code>realtime_clock</code> <code>realtime_clock.getTime().subtract(ms,ns)</code>
<code>this_is_relative.relative(clock_a)</code>	<code>clock_a</code> <code>ms,ns</code>
<code>this_is_relative.relative(clock_b)</code>	<code>clock_b</code> <code>ms,ns</code>
<code>this_is_relative.relative(null)</code>	<code>realtime_clock</code> <code>ms,ns</code>
<code>this_is_relative.absolute(clock_a)</code>	<code>clock_a</code> <code>clock_a.getTime().add(ms,ns)</code>
<code>this_is_relative.absolute(clock_b)</code>	<code>clock_b</code> <code>clock_b.getTime().add(ms,ns)</code>
<code>this_is_relative.absolute(null)</code>	<code>realtime_clock</code> <code>realtime_clock.getTime().add(ms,ns)</code>

- Time objects must implement the `Comparable` interface if it is available. The `compareTo()` method must be implemented even if the interface is not available.

## 9.4 Package javax.realtime

### 9.4.1 Classes

#### 9.4.1.1 AbsoluteTime

---

##### Inheritance

```
java.lang.Object
  javax.realtime.HighResolutionTime
    javax.realtime.AbsoluteTime
```

An object that represents a specific point in time given by milliseconds plus nanoseconds past some point in time fixed by the `clock`. For the default realtime clock the fixed point is the Epoch (January 1, 1970, 00:00:00 GMT). The correctness of the Epoch as a time base depends on the realtime clock synchronization with an external world time reference. This representation was designed to be compatible with the standard Java representation of an absolute time in the `java.util.Date` class.

A time object in normalized form represents negative time if both components are nonzero and negative, or one is nonzero and negative and the other is zero. For `add` and `subtract` negative values behave as they do in arithmetic.

**Caution:** This class is explicitly unsafe in multithreaded situations when it is being changed. No synchronization is done. It is assumed that users of this class who are mutating instances will be doing their own synchronization at a higher level.

#### 9.4.1.1.1 Constructors

---

### AbsoluteTime

#### *Signature*

```
public
    AbsoluteTime()
```

Equivalent to `new AbsoluteTime(0,0)`.

The clock association is implicitly made with the realtime clock.

## **AbsoluteTime(AbsoluteTime)**

### *Signature*

```
public  
    AbsoluteTime(AbsoluteTime time)
```

```
    throws IllegalArgumentException
```

### *Parameters*

*time* The `AbsoluteTime` object which is the source for the copy.

### *Throws*

*IllegalArgumentException* when the `time` parameter is null.

Make a new `AbsoluteTime` object from the given `AbsoluteTime` object.

The new object will have the same clock association as the `time` parameter.

## **AbsoluteTime(AbsoluteTime, Clock)**

### *Signature*

```
public  
    AbsoluteTime(AbsoluteTime time, Clock clock)
```

```
    throws IllegalArgumentException
```

### *Parameters*

*time* The `AbsoluteTime` object which is the source for the copy.

*clock* The clock providing the association for the newly constructed object.

### *Throws*

*IllegalArgumentException* when the `time` parameter is null.

Make a new `AbsoluteTime` object from the given `AbsoluteTime` object.

The clock association is made with the `clock` parameter. If `clock` is null the association is made with the realtime clock.

**Available since RTSJ version RTSJ 1.0.1**

## **AbsoluteTime(Clock)**

### *Signature*

```
public  
    AbsoluteTime(Clock clock)
```

*Parameters*

*clock* The clock providing the association for the newly constructed object.  
Equivalent to `new AbsoluteTime(0,0, clock)`.

The clock association is made with the `clock` parameter. If `clock` is `null` the association is made with the realtime clock.

**Available since RTSJ version RTSJ 1.0.1**

## **AbsoluteTime(Date)**

*Signature*

```
public  
    AbsoluteTime(Date date)
```

throws `IllegalArgumentException`

*Parameters*

*date* The `java.util.Date` representation of the time past the Epoch.

*Throws*

*IllegalArgumentException* when the `date` parameter is `null`.

Equivalent to `new AbsoluteTime (date.getTime(),0)`.

The clock association is implicitly made with the realtime clock.

## **AbsoluteTime(Date, Clock)**

*Signature*

```
public  
    AbsoluteTime(Date date, Clock clock)
```

throws `IllegalArgumentException`

*Parameters*

*date* The `java.util.Date` representation of the time past the Epoch.

*clock* The clock providing the association for the newly constructed object.

*Throws*

*IllegalArgumentException* when the `date` parameter is `null`.

Equivalent to `new AbsoluteTime (date.getTime(),0, clock)`.

Warning: While the `date` is used to set the milliseconds component of the new `AbsoluteTime` object (with nanoseconds component set to 0), the new object represents the `date` only if the `clock` parameter has an epoch equal to `Epoch`.

The clock association is made with the `clock` parameter. If `clock` is `null` the association is made with the realtime clock.

**Available since RTSJ version RTSJ 1.0.1**

## **AbsoluteTime(long, int)**

*Signature*

```
public
    AbsoluteTime(long millis, int nanos)
```

```
throws IllegalArgumentException
```

*Parameters*

*millis* The desired value for the millisecond component of `this`. The actual value is the result of parameter normalization.

*nanos* The desired value for the nanosecond component of `this`. The actual value is the result of parameter normalization.

*Throws*

*IllegalArgumentException* when there is an overflow in the millisecond component when normalizing.

Construct an `AbsoluteTime` object with time millisecond and nanosecond components past the realtime clock's Epoch (00:00:00 GMT on January 1, 1970) based on the parameter `millis` plus the parameter `nanos`. The construction is subject to `millis` and `nanos` parameters normalization. If there is an overflow in the millisecond component when normalizing then an `IllegalArgumentException` will be thrown. If after normalization the time object is negative then the time represented by this is time before the Epoch.

The clock association is implicitly made with the realtime clock.



## AbsoluteTime(long, int, Clock)

### Signature

```
public  
    AbsoluteTime(long millis, int nanos, Clock clock)
```

```
    throws IllegalArgumentException
```

### Parameters

*millis* The desired value for the millisecond component of **this**. The actual value is the result of parameter normalization.

*nanos* The desired value for the nanosecond component of **this**. The actual value is the result of parameter normalization.

*clock* The clock providing the association for the newly constructed object.

### Throws

*IllegalArgumentException* when there is an overflow in the millisecond component when normalizing.

Construct an **AbsoluteTime** object with time millisecond and nanosecond components past the epoch for **clock**.

The value of the **AbsoluteTime** instance is based on the parameter **millis** plus the parameter **nanos**. The construction is subject to **millis** and **nanos** parameters normalization. If there is an overflow in the millisecond component when normalizing then an **IllegalArgumentException** will be thrown. If after normalization the time object is negative then the time represented by this is time before the **epoch**.

The clock association is made with the **clock** parameter. If **clock** is **null** the association is made with the realtime clock.

Note: The start of a clock's epoch is an attribute of the clock. It is defined as the Epoch (00:00:00 GMT on Jan 1, 1970) for the default realtime clock, but other classes of clock may define other epochs.

Available since RTSJ version RTSJ 1.0.1

### 9.4.1.1.2 Methods

---

## absolute(Clock)

### Signature

```
public
    javax.realtime.AbsoluteTime absolute(Clock clock)
```

*Parameters*

*clock* The `clock` parameter is used only as the new clock association with the result, since no conversion is needed.

*Returns*

The copy of `this` in a newly allocated `AbsoluteTime` object, associated with the `clock` parameter.

Return a copy of `this` modified if necessary to have the specified clock association. A new object is allocated for the result. This method is the implementation of the `abstract` method of the `HighResolutionTime` base class. No conversion into `AbsoluteTime` is needed in this case. The clock association of the result is with the `clock` passed as a parameter. If `clock` is `null` the association is made with the realtime clock.

**absolute(Clock, AbsoluteTime)***Signature*

```
public
    javax.realtime.AbsoluteTime absolute(Clock clock, AbsoluteTime
    dest)
```

*Parameters*

*clock* The `clock` parameter is used only as the new clock association with the result, since no conversion is needed.

*dest* If `dest` is not `null`, the result is placed there and returned. Otherwise, a new object is allocated for the result.

*Returns*

The copy of `this` in `dest` if `dest` is not `null`, otherwise the result is returned in a newly allocated object. It is associated with the `clock` parameter.

Return a copy of `this` modified if necessary to have the specified clock association. If `dest` is not `null`, the result is placed in `dest` and returned. Otherwise, a new object is allocated for the result. This method is the implementation of the `abstract` method of the `HighResolutionTime` base class. No conversion into `AbsoluteTime` is needed in this case. The clock association of the result is with the `clock` passed as a parameter. If `clock` is `null` the association is made with the realtime clock.

**add(long, int)***Signature*

```
public
    javax.realtime.AbsoluteTime add(long millis, int nanos)
```

throws `ArithmeticException`

*Parameters*

*millis* The number of milliseconds to be added to `this`.

*nanos* The number of nanoseconds to be added to `this`.

*Throws*

*ArithmeticException* when the result does not fit in the normalized format.

*Returns*

A new `AbsoluteTime` object whose time is the normalization of `this` plus `millis` and `nanos`.

Create a new object representing the result of adding `millis` and `nanos` to the values from `this` and normalizing the result. The result will have the same clock association as `this`.

## **add(long, int, AbsoluteTime)**

*Signature*

```
public
  javax.realtime.AbsoluteTime add(long millis, int nanos,
  AbsoluteTime dest)
  throws ArithmeticException
```

*Parameters*

*millis* The number of milliseconds to be added to `this`.

*nanos* The number of nanoseconds to be added to `this`.

*dest* If `dest` is not `null`, the result is placed there and returned. Otherwise, a new object is allocated for the result.

*Throws*

*ArithmeticException* when the result does not fit in the normalized format.

*Returns*

the result of the normalization of `this` plus `millis` and `nanos` in `dest` if `dest` is not `null`, otherwise the result is returned in a newly allocated object.

Return an object containing the value resulting from adding `millis` and `nanos` to the values from `this` and normalizing the result. If `dest` is not `null`, the result is placed there and returned. Otherwise, a new object is allocated for the result. The result will have the same clock association as `this`, and the clock association with `dest` is ignored.

## **add(RelativeTime)**

*Signature*

```
public
  javax.realtime.AbsoluteTime add(RelativeTime time)
```

throws `ArithmeticException`, `IllegalArgumentException`

*Parameters*

*time* The time to add to `this`.

*Throws*

*IllegalArgumentException* when the `clock` associated with `this` and the `clock` associated with the `time` parameter are different, or when the `time` parameter is `null`.

*ArithmeticException* when the result does not fit in the normalized format.

*Returns*

A new `AbsoluteTime` object whose time is the normalization of `this` plus the parameter `time`.

Create a new instance of `AbsoluteTime` representing the result of adding `time` to the value of `this` and normalizing the result. The `clock` associated with `this` and the `clock` associated with the `time` parameter must be the same, and such association is used for the result.

## **add(RelativeTime, AbsoluteTime)**

*Signature*

```
public
  javax.realtime.AbsoluteTime add(RelativeTime time, AbsoluteTime
  dest)
  throws ArithmeticException, IllegalArgumentException
```

*Parameters*

*time* The time to add to `this`.

*dest* If `dest` is not `null`, the result is placed there and returned. Otherwise, a new object is allocated for the result.

*Throws*

*IllegalArgumentException* when the `clock` associated with `this` and the `clock` associated with the `time` parameter are different, or when the `time` parameter is `null`.

*ArithmeticException* when the result does not fit in the normalized format.

*Returns*

the result of the normalization of `this` plus the `RelativeTime` parameter `time` in `dest` if `dest` is not `null`, otherwise the result is returned in a newly allocated object.

Return an object containing the value resulting from adding `time` to the value of `this` and normalizing the result. If `dest` is not `null`, the result is placed there and returned. Otherwise, a new object is allocated for the result. The `clock` associated with `this` and the `clock` associated with the `time` parameter must be the same,

and such association is used for the result. The `clock` associated with the `dest` parameter is ignored.

## getDate

### Signature

```
public
java.util.Date getDate()
throws UnsupportedOperationException
```

### Throws

*UnsupportedOperationException* when the clock associated with `this` does not have the concept of date.

### Returns

A newly allocated `Date` object with a value of the time past the Epoch represented by `this`.

Convert the time given by `this` to a `Date` format. Note that `Date` represents time as milliseconds so the nanoseconds of `this` will be lost.

## relative(Clock)

### Signature

```
public
javax.realtime.RelativeTime relative(Clock clock)
throws ArithmeticException
```

### Parameters

*clock* The instance of `Clock`<sup>1</sup> used to convert the time of `this` into relative time, and the new clock association for the result.

### Throws

*ArithmeticException* when the result does not fit in the normalized format.

### Returns

The `RelativeTime` conversion in a newly allocated object, associated with the `clock` parameter.

Convert the time of `this` to a relative time, using the given instance of `Clock`<sup>2</sup> to determine the current time. The calculation is the current time indicated by the given instance of `Clock`<sup>3</sup> subtracted from the time given by `this`. If `clock` is `null` the realtime clock is assumed. A destination object is allocated to return the result. The clock association of the result is with the `clock` passed as a parameter.

---

<sup>1</sup>Section 10.4.2.2

<sup>2</sup>Section 10.4.2.2

<sup>3</sup>Section 10.4.2.2

**relative(Clock, RelativeTime)***Signature*

```
public
  javax.realtime.RelativeTime relative(Clock clock, RelativeTime
  dest)
  throws ArithmeticException
```

*Parameters*

*clock* The instance of `Clock`<sup>4</sup> used to convert the time of `this` into relative time, and the new clock association for the result.

*dest* If `dest` is not `null`, the result is placed there and returned. Otherwise, a new object is allocated for the result.

*Throws*

*ArithmeticException* when the result does not fit in the normalized format.

*Returns*

The `RelativeTime` conversion in `dest` if `dest` is not `null`, otherwise the result is returned in a newly allocated object. It is associated with the `clock` parameter.

Convert the time of `this` to a relative time, using the given instance of `Clock`<sup>5</sup> to determine the current time. The calculation is the current time indicated by the given instance of `Clock`<sup>6</sup> subtracted from the time given by `this`. If `clock` is `null` the realtime clock is assumed. If `dest` is not `null`, the result is placed there and returned. Otherwise, a new object is allocated for the result. The clock association of the result is with the `clock` passed as a parameter.

**set(Date)***Signature*

```
public
  void set(Date date)
  throws IllegalArgumentException
```

*Parameters*

*date* A reference to a `Date` which will become the time represented by `this` after the completion of this method.

*Throws*

*IllegalArgumentException* when the parameter `date` is `null`.

---

<sup>4</sup>Section 10.4.2.2

<sup>5</sup>Section 10.4.2.2

<sup>6</sup>Section 10.4.2.2

Change the time represented by `this` to that given by the parameter. Note that `Date` represents time as milliseconds so the nanoseconds of `this` will be set to 0. The clock association is implicitly made with the realtime clock.

### **subtract(AbsoluteTime)**

#### *Signature*

```
public
    javax.realtime.RelativeTime subtract(AbsoluteTime time)
    throws IllegalArgumentException, ArithmeticException
```

#### *Parameters*

*time* The time to subtract from `this`.

#### *Throws*

*IllegalArgumentException* when the `clock` associated with `this` and the `clock` associated with the `time` parameter are different, or when the `time` parameter is `null`.

*ArithmeticException* when the result does not fit in the normalized format.

#### *Returns*

A new `RelativeTime` object whose time is the normalization of `this` minus the `AbsoluteTime` parameter `time`.

Create a new instance of `RelativeTime` representing the result of subtracting `time` from the value of `this` and normalizing the result. The `clock` associated with `this` and the `clock` associated with the `time` parameter must be the same, and such association is used for the result.

### **subtract(AbsoluteTime, RelativeTime)**

#### *Signature*

```
public
    javax.realtime.RelativeTime subtract(AbsoluteTime time,
    RelativeTime dest)
```

#### *Parameters*

*time* The time to subtract from `this`.

*dest* If `dest` is not `null`, the result is placed there and returned. Otherwise, a new object is allocated for the result.

#### *Throws*

*IllegalArgumentException* if the `clock` associated with `this` and the `clock` associated with the `time` parameter are different, or when the `time` parameter is `null`.

*ArithmeticException* when the result does not fit in the normalized format.

#### *Returns*

the result of the normalization of `this` minus the `AbsoluteTime` parameter `time` in `dest` if `dest` is not `null`, otherwise the result is returned in a newly allocated object.

Return an object containing the value resulting from subtracting `time` from the value of `this` and normalizing the result. If `dest` is not `null`, the result is placed there and returned. Otherwise, a new object is allocated for the result. The `clock` associated with `this` and the `clock` associated with the `time` parameter must be the same, and such association is used for the result. The `clock` associated with the `dest` parameter is ignored.

### **subtract(RelativeTime)**

#### *Signature*

```
public
  javax.realtime.AbsoluteTime subtract(RelativeTime time)
```

#### *Parameters*

*time* The time to subtract from `this`.

#### *Throws*

*IllegalArgumentException* when the `clock` associated with `this` and the `clock` associated with the `time` parameter are different, or when the `time` parameter is `null`.

*ArithmeticException* when the result does not fit in the normalized format.

#### *Returns*

A new `AbsoluteTime` object whose time is the normalization of `this` minus the parameter `time`.

Create a new instance of `AbsoluteTime` representing the result of subtracting `time` from the value of `this` and normalizing the result. The `clock` associated with `this` and the `clock` associated with the `time` parameter must be the same, and such association is used for the result.

### **subtract(RelativeTime, AbsoluteTime)**

#### *Signature*

```
public
  javax.realtime.AbsoluteTime subtract(RelativeTime time,
  AbsoluteTime dest)
```

#### *Parameters*

*time* The time to subtract from `this`.

*dest* If `dest` is not `null`, the result is placed there and returned. Otherwise, a new object is allocated for the result.

#### *Throws*



*IllegalArgumentException* when the `clock` associated with `this` and the `clock` associated with the `time` parameter are different, or when the `time` parameter is `null`.

*ArithmeticException* when the result does not fit in the normalized format.

#### Returns

the result of the normalization of `this` minus the `RelativeTime` parameter `time` in `dest` if `dest` is not `null`, otherwise the result is returned in a newly allocated object.

Return an object containing the value resulting from subtracting `time` from the value of `this` and normalizing the result. If `dest` is not `null`, the result is placed there and returned. Otherwise, a new object is allocated for the result. The `clock` associated with `this` and the `clock` associated with the `time` parameter must be the same, and such association is used for the result. The `clock` associated with the `dest` parameter is ignored.

## toString

#### Signature

```
public
java.lang.String toString()
```

#### Returns

String object converted from the time given by `this`.

Create a printable string of the time given by `this`.

The string shall be a decimal representation of the milliseconds and nanosecond values; formatted as follows "(2251 ms, 750000 ns)"

### 9.4.1.2 HighResolutionTime

---

#### Inheritance

```
java.lang.Object
javax.realtime.HighResolutionTime
```

#### Interfaces

```
Comparable
Cloneable
```

Class `HighResolutionTime` is the base class for `AbsoluteTime`, `RelativeTime`, `RationalTime`. Used to express time with nanosecond accuracy. This class is never used directly: it is abstract and has no public constructor. Instead, one of its sub-

classes [AbsoluteTime](#)<sup>7</sup>, [RelativeTime](#)<sup>8</sup>, or [RationalTime](#)<sup>9</sup> should be used. When an API is defined that has an `HighResolutionTime` as a parameter, it can take either an absolute, relative, or rational time and will do something appropriate.

**Caution:** This class is explicitly unsafe in multithreaded situations when it is being changed. No synchronization is done. It is assumed that users of this class who are mutating instances will be doing their own synchronization at a higher level.

#### 9.4.1.2.1 Fields

---

**millis**

millis

**nanos**

nanos

#### 9.4.1.2.2 Constructors

---

### HighResolutionTime

*Signature*

`HighResolutionTime()`

#### 9.4.1.2.3 Methods

---

---

<sup>7</sup>Section [9.4.1.1](#)

<sup>8</sup>Section [9.4.1.3](#)

<sup>9</sup>Section [15.3.2.4](#)

## waitForObject(Object, HighResolutionTime)

### Signature

```
public static
boolean waitForObject(Object target, HighResolutionTime time)
throws InterruptedException
```

### Parameters

*target* The object on which to wait. The current thread must have a lock on the object.

*time* The time for which to wait. If it is `RelativeTime(0,0)` then wait indefinitely. If it is `null` then wait indefinitely.

### Throws

*InterruptedException* when this schedulable is interrupted by `RealtimeThread.interrupt`<sup>10</sup> or `AsynchronouslyInterruptedException.fire`<sup>11</sup> while it is waiting.

*IllegalArgumentException* when `time` represents a relative time less than zero.

*IllegalMonitorStateException* when `target` is not locked by the caller.

*UnsupportedOperationException* when the wait operation is not supported using the `clock` associated with `time`.

### Returns

True if the notify was received before the timeout. False otherwise.

Behaves like `target.wait()` but with the enhancement that it waits with a precision of `HighResolutionTime` and returns true if the associated notify was received, false if timeout occurred. As for `target.wait()`, there is the possibility of spurious wakeup behavior.

The wait `time` may be relative or absolute, and it is controlled by the `clock` associated with it. If the wait `time` is relative, then the calling thread is blocked waiting on `target` for the amount of time given by `time`, and measured by the associated `clock`. If the wait `time` is absolute, then the calling thread is blocked waiting on `target` until the indicated `time` value is reached by the associated `clock`.

See Section `Object.wait()`

See Section `Object.wait(long)`

See Section `Object.wait(long,int)`

Available since RTSJ version RTSJ 2.0 updated to add a return value.

---

<sup>10</sup>Section 5.3.2.2.2

<sup>11</sup>Section 8.4.2.1.3

## absolute(Clock)

### Signature

```
public abstract
    javax.realtime.AbsoluteTime absolute(Clock clock)
```

### Parameters

*clock* The instance of [Clock](#)<sup>12</sup> used to convert the time of `this` into absolute time, and the new clock association for the result.

### Returns

The `AbsoluteTime` conversion in a newly allocated object, associated with the `clock` parameter.

Convert the time of `this` to an absolute time, using the given instance of [Clock](#)<sup>13</sup> to determine the current time when necessary. If `clock` is `null` the realtime clock is assumed. A destination object is allocated to return the result. The clock association of the result is with the `clock` passed as a parameter. See the derived class comments for more specific information.

## absolute(Clock, AbsoluteTime)

### Signature

```
public abstract
    javax.realtime.AbsoluteTime absolute(Clock clock, AbsoluteTime
    dest)
```

### Parameters

*clock* The instance of [Clock](#)<sup>14</sup> used to convert the time of `this` into absolute time, and the new clock association for the result.

*dest* If `dest` is not `null`, the result is placed there and returned. Otherwise, a new object is allocated for the result.

### Returns

The `AbsoluteTime` conversion in `dest` if `dest` is not `null`, otherwise the result is returned in a newly allocated object. It is associated with the `clock` parameter.

Convert the time of `this` to an absolute time, using the given instance of [Clock](#)<sup>15</sup> to determine the current time when necessary. If `clock` is `null` the realtime clock is assumed. If `dest` is not `null`, the result is placed there and returned. Otherwise, a new object is allocated for the result. The clock association of the result is with

---

<sup>12</sup>Section [10.4.2.2](#)

<sup>13</sup>Section [10.4.2.2](#)

<sup>14</sup>Section [10.4.2.2](#)

<sup>15</sup>Section [10.4.2.2](#)

the `clock` passed as a parameter. See the derived class comments for more specific information.

## **clone**

### *Signature*

```
public
    java.lang.Object clone()
```

Return a clone of `this`. This method should behave effectively as if it constructed a new object with the visible values of `this`. The new object is created in the current allocation context.

**Available since RTSJ version RTSJ 1.0.1**

## **compareTo(HighResolutionTime)**

### *Signature*

```
public
    int compareTo(HighResolutionTime time)
```

### *Parameters*

*time* Compares with the time of `this`.

### *Throws*

*ClassCastException* when the `time` parameter is not of the same class as `this`.

*IllegalArgumentException* when the `time` parameter is not associated with the same clock as `this`, or when the `time` parameter is `null`.

### *Returns*

a negative integer, zero, or a positive integer as this object is less than, equal to, or greater than `time`.

Compares `this` `HighResolutionTime` with the specified `HighResolutionTime` `time`.

## **compareTo(Object)**

### *Signature*

```
public
    int compareTo(Object object)
```

### *Throws*

*IllegalArgumentException* when the `object` parameter is not associated with the same clock as `this`, or when the `object` parameter is `null`.

*ClassCastException* when the specified object's type prevents it from being compared to `this` `Object`.

*Returns*

a negative integer, zero, or a positive integer as this object is less than, equal to, or greater than `object`.

For the `Comparable` interface.

**equals(HighResolutionTime)***Signature*

```
public
boolean equals(HighResolutionTime time)
```

*Parameters*

*time* Value compared to `this`.

*Returns*

`true` if the parameter `time` is of the same type and has the same values as `this`.

Returns `true` if the argument `time` has the same type and values as `this`.

Equality includes `clock` association.

**equals(Object)***Signature*

```
public
boolean equals(Object object)
```

*Parameters*

*object* Value compared to `this`.

*Returns*

`true` if the parameter `object` is of the same type and has the same values as `this`.

Returns `true` if the argument `object` has the same type and values as `this`.

Equality includes `clock` association.

**getClock***Signature*

```
public final
javax.realtime.Clock getClock()
```

*Returns*

A reference to the `clock` associated with `this`.

Returns a reference to the `clock` associated with `this`.

Available since RTSJ version RTSJ 1.0.1

## getMilliseconds

*Signature*

```
public final
long getMilliseconds()
```

*Returns*

The milliseconds component of the time represented by **this**.  
Returns the milliseconds component of **this**.

## getNanoseconds

*Signature*

```
public final
int getNanoseconds()
```

*Returns*

The nanoseconds component of the time represented by **this**.  
Returns the nanoseconds component of **this**.

## hashCode

*Signature*

```
public
int hashCode()
```

*Returns*

The hashcode value for this instance.  
Returns a hash code for this object in accordance with the general contract of **name**.  
Time objects that are `equals()` `equal`<sup>16</sup> have the same hash code.

## relative(Clock)

*Signature*

```
public abstract
javax.realtime.RelativeTime relative(Clock clock)
```

*Parameters*

---

<sup>16</sup>Section 9.4.1.2.3

*clock* The instance of `Clock`<sup>17</sup> used to convert the time of `this` into relative time, and the new clock association for the result.

*Returns*

The `RelativeTime` conversion in a newly allocated object, associated with the `clock` parameter.

Convert the time of `this` to a relative time, using the given instance of `Clock`<sup>18</sup> to determine the current time when necessary. If `clock` is `null` the realtime clock is assumed. A destination object is allocated to return the result. The clock association of the result is with the `clock` passed as a parameter. See the derived class comments for more specific information.

## `relative(Clock, RelativeTime)`

*Signature*

```
public abstract
  javax.realtime.RelativeTime relative(Clock clock, RelativeTime
  dest)
```

*Parameters*

*clock* The instance of `Clock`<sup>19</sup> used to convert the time of `this` into relative time, and the new clock association for the result.

*dest* If `dest` is not `null`, the result is placed there and returned. Otherwise, a new object is allocated for the result.

*Returns*

The `RelativeTime` conversion in `dest` if `dest` is not `null`, otherwise the result is returned in a newly allocated object. It is associated with the `clock` parameter.

Convert the time of `this` to a relative time, using the given instance of `Clock`<sup>20</sup> to determine the current time when necessary. If `clock` is `null` the realtime clock is assumed. If `dest` is not `null`, the result is placed there and returned. Otherwise, a new object is allocated for the result. The clock association of the result is with the `clock` passed as a parameter. See the derived class comments for more specific information.

## `set(HighResolutionTime)`

*Signature*

---

<sup>17</sup>Section [10.4.2.2](#)

<sup>18</sup>Section [10.4.2.2](#)

<sup>19</sup>Section [10.4.2.2](#)

<sup>20</sup>Section [10.4.2.2](#)



```
public
void set(HighResolutionTime time)
```

*Parameters*

*time* The new value for `this`.

*Throws*

*IllegalArgumentException* when the parameter `time` is `null`.

*ClassCastException* when the type of `this` and the type of the parameter `time` are not the same.

Change the value represented by `this` to that of the given `time`. If the `time` parameter is `null` this method will throw `IllegalArgumentException`. If the type of `this` and the type of the given `time` are not the same this method will throw `ClassCastException`. The `clock` associated with `this` is set to be the `clock` associated with the `time` parameter.

**Available since RTSJ version RTSJ 1.0.1** The description of the method in 1.0 was erroneous.

## **set(long)**

*Signature*

```
public
void set(long millis)
```

*Parameters*

*millis* This value shall be the value of the millisecond component of `this` at the completion of the call.

Sets the millisecond component of `this` to the given argument, and the nanosecond component of `this` to 0. This method is equivalent to `set(millis, 0)`.

## **set(long, int)**

*Signature*

```
public
void set(long millis, int nanos)
```

*Parameters*

*millis* The desired value for the millisecond component of `this` at the completion of the call. The actual value is the result of parameter normalization.

*nanos* The desired value for the nanosecond component of `this` at the completion of the call. The actual value is the result of parameter normalization.

*Throws*

*IllegalArgumentException* when there is an overflow in the millisecond component while normalizing.

Sets the millisecond and nanosecond components of `this`. The setting is subject to parameter normalization. If there is an overflow in the millisecond component while normalizing then an `IllegalArgumentException` will be thrown. If after normalization the time is negative then the time represented by `this` is set to a negative value, but note that negative times are not supported everywhere. For instance, a negative relative time is an invalid value for a periodic thread's period.

## setClock(Clock)

*Signature*

```
void setClock(Clock clock)
```

### 9.4.1.3 RelativeTime

---

#### Inheritance

```
java.lang.Object
  javax.realtime.HighResolutionTime
  javax.realtime.RelativeTime
```

An object that represents a time interval milliseconds/10<sup>3</sup> + nanoseconds/10<sup>9</sup> seconds long. It generally is used to represent a time relative to now.

The time interval is kept in normalized form. The range goes from [(-2<sup>63</sup>) milliseconds + (-10<sup>6</sup>+1) nanoseconds] to [(2<sup>63</sup>-1) milliseconds + (10<sup>6</sup>-1) nanoseconds].

A negative interval relative to now represents time in the past. For `add` and `subtract` negative values behave as they do in arithmetic.

**Caution:** This class is explicitly unsafe in multithreaded situations when it is being changed. No synchronization is done. It is assumed that users of this class who are mutating instances will be doing their own synchronization at a higher level.

#### 9.4.1.3.1 Constructors

---

## RelativeTime

*Signature*

```
public  
    RelativeTime()
```

Equivalent to `new RelativeTime(0,0)`.

The clock association is implicitly made with the realtime clock.

## RelativeTime(Clock)

### Signature

```
public  
    RelativeTime(Clock clock)
```

### Parameters

*clock* The clock providing the association for the newly constructed object.

Equivalent to `new RelativeTime(0,0, clock)`.

The clock association is made with the `clock` parameter. If `clock` is `null` the association is made with the realtime clock.

Available since RTSJ version RTSJ 1.0.1

## RelativeTime(long, int)

### Signature

```
public  
    RelativeTime(long millis, int nanos)
```

### Parameters

*millis* The desired value for the millisecond component of `this`. The actual value is the result of parameter normalization.

*nanos* The desired value for the nanosecond component of `this`. The actual value is the result of parameter normalization.

### Throws

*IllegalArgumentException* when there is an overflow in the millisecond component when normalizing.

Construct a `RelativeTime` object representing an interval based on the parameter `millis` plus the parameter `nanos`. The construction is subject to `millis` and `nanos` parameters normalization. If there is an overflow in the millisecond component when normalizing then an `IllegalArgumentException` will be thrown. The clock association is implicitly made with the realtime clock.

## **RelativeTime(long, int, Clock)**

### *Signature*

```
public
    RelativeTime(long millis, int nanos, Clock clock)
```

### *Parameters*

*millis* The desired value for the millisecond component of `this`. The actual value is the result of parameter normalization.

*nanos* The desired value for the nanosecond component of `this`. The actual value is the result of parameter normalization.

*clock* The clock providing the association for the newly constructed object.

### *Throws*

*IllegalArgumentException* when there is an overflow in the millisecond component when normalizing.

Construct a `RelativeTime` object representing an interval based on the parameter `millis` plus the parameter `nanos`. The construction is subject to `millis` and `nanos` parameters normalization. If there is an overflow in the millisecond component when normalizing then an `IllegalArgumentException` will be thrown.

The clock association is made with the `clock` parameter. If `clock` is `null` the association is made with the realtime clock.

**Available since RTSJ version RTSJ 1.0.1**

## **RelativeTime(RelativeTime)**

### *Signature*

```
public
    RelativeTime(RelativeTime time)
```

### *Parameters*

*time* The `RelativeTime` object which is the source for the copy.

*Throws*

*IllegalArgumentException* when the `time` parameter is `null`.

Make a new `RelativeTime` object from the given `RelativeTime` object.

The new object will have the same clock association as the `time` parameter.

## **RelativeTime(RelativeTime, Clock)**

*Signature*

```
public
    RelativeTime(RelativeTime time, Clock clock)
```

*Parameters*

*time* The `RelativeTime` object which is the source for the copy.

*clock* The clock providing the association for the newly constructed object.

*Throws*

*IllegalArgumentException* when the `time` parameter is `null`.

Make a new `RelativeTime` object from the given `RelativeTime` object.

The clock association is made with the `clock` parameter. If `clock` is `null` the association is made with the realtime clock.

**Available since RTSJ version RTSJ 1.0.1**

### **9.4.1.3.2 Methods**

---

## **absolute(Clock)**

*Signature*

```
public
    javax.realtime.AbsoluteTime absolute(Clock clock)
```

*Parameters*

*clock* The instance of `Clock`<sup>21</sup> used to convert the time of `this` into absolute time, and the new clock association for the result.

*Throws*

*ArithmeticException* when the result does not fit in the normalized format.

---

<sup>21</sup>Section [10.4.2.2](#)

*Returns*

The `AbsoluteTime` conversion in a newly allocated object, associated with the `clock` parameter.

Convert the time of `this` to an absolute time, using the given instance of `Clock`<sup>22</sup> to determine the current time. The calculation is the current time indicated by the given instance of `Clock`<sup>23</sup> plus the interval given by `this`. If `clock` is `null` the realtime clock is assumed. A destination object is allocated to return the result. The clock association of the result is with the `clock` passed as a parameter.

**absolute(Clock, AbsoluteTime)***Signature*

```
public
  javax.realtime.AbsoluteTime absolute(Clock clock, AbsoluteTime
  dest)
```

*Parameters*

*clock* The instance of `Clock`<sup>24</sup> used to convert the time of `this` into absolute time, and the new clock association for the result.

*dest* If `dest` is not `null`, the result is placed there and returned. Otherwise, a new object is allocated for the result.

*Throws*

*ArithmeticException* when the result does not fit in the normalized format.

*Returns*

The `AbsoluteTime` conversion in `dest` when `dest` is not `null`, otherwise the result is returned in a newly allocated object. It is associated with the `clock` parameter.

Convert the time of `this` to an absolute time, using the given instance of `Clock`<sup>25</sup> to determine the current time. The calculation is the current time indicated by the given instance of `Clock`<sup>26</sup> plus the interval given by `this`. If `clock` is `null` the realtime clock is assumed. If `dest` is not `null`, the result is placed there and returned. Otherwise, a new object is allocated for the result. The clock association of the result is with the `clock` passed as a parameter.

**add(long, int)***Signature*


---

<sup>22</sup>Section 10.4.2.2

<sup>23</sup>Section 10.4.2.2

<sup>24</sup>Section 10.4.2.2

<sup>25</sup>Section 10.4.2.2

<sup>26</sup>Section 10.4.2.2

```
public
    javax.realtime.RelativeTime add(long millis, int nanos)
```

*Parameters*

*millis* The number of milliseconds to be added to **this**.

*nanos* The number of nanoseconds to be added to **this**.

*Throws*

*ArithmeticException* when the result does not fit in the normalized format.

*Returns*

A new `RelativeTime` object whose time is the normalization of **this** plus **millis** and **nanos**.

Create a new object representing the result of adding **millis** and **nanos** to the values from **this** and normalizing the result. The result will have the same clock association as **this**. An `ArithmeticException` is when the result does not fit in the normalized format.

## **add(long, int, RelativeTime)**

*Signature*

```
public
    javax.realtime.RelativeTime add(long millis, int nanos,
    RelativeTime dest)
```

*Parameters*

*millis* The number of milliseconds to be added to **this**.

*nanos* The number of nanoseconds to be added to **this**.

*dest* If **dest** is not `null`, the result is placed there and returned. Otherwise, a new object is allocated for the result.

*Throws*

*ArithmeticException* when the result does not fit in the normalized format.

*Returns*

the result of the normalization of **this** plus **millis** and **nanos** in **dest** if **dest** is not `null`, otherwise the result is returned in a newly allocated object.

Return an object containing the value resulting from adding **millis** and **nanos** to the values from **this** and normalizing the result. If **dest** is not `null`, the result is placed there and returned. Otherwise, a new object is allocated for the result. The result will have the same clock association as **this**, and the clock association with **dest** is ignored.

## **add(RelativeTime)**

*Signature*

```
public
```

```
javax.realtime.RelativeTime add(RelativeTime time)
```

*Parameters*

*time* The time to add to **this**.

*Throws*

*IllegalArgumentException* when the **clock** associated with **this** and the **clock** associated with the **time** parameter are different, or when the **time** parameter is **null**.

*ArithmeticException* when the result does not fit in the normalized format.

*Returns*

A new **RelativeTime** object whose time is the normalization of **this** plus the parameter **time**.

Create a new instance of **RelativeTime** representing the result of adding **time** to the value of **this** and normalizing the result.

The **clock** associated with **this** and the **clock** associated with the **time** parameter are expected to be the same, and such association is used for the result.

## **add(RelativeTime, RelativeTime)**

*Signature*

```
public
javax.realtime.RelativeTime add(RelativeTime time, RelativeTime
dest)
```

*Parameters*

*time* The time to add to **this**.

*dest* If **dest** is not **null**, the result is placed there and returned. Otherwise, a new object is allocated for the result.

*Throws*

*IllegalArgumentException* when the **clock** associated with **this** and the **clock** associated with the **time** parameter are different, or when the **time** parameter is **null**.

*ArithmeticException* when the result does not fit in the normalized format.

*Returns*

the result of the normalization of **this** plus the **RelativeTime** parameter **time** in **dest** if **dest** is not **null**, otherwise the result is returned in a newly allocated object.

Return an object containing the value resulting from adding **time** to the value of **this** and normalizing the result. If **dest** is not **null**, the result is placed there and returned. Otherwise, a new object is allocated for the result.

The **clock** associated with **this** and the **clock** associated with the **time** parameter are expected to be the same, and such association is used for the result.

The **clock** associated with the **dest** parameter is ignored.



## relative(Clock)

### Signature

```
public  
    javax.realtime.RelativeTime relative(Clock clock)
```

### Parameters

*clock* The `clock` parameter is used only as the new clock association with the result, since no conversion is needed.

### Returns

The copy of `this` in a newly allocated `RelativeTime` object, associated with the `clock` parameter.

Return a copy of `this`. A new object is allocated for the result. This method is the implementation of the `abstract` method of the `HighResolutionTime` base class. No conversion into `RelativeTime` is needed in this case. The clock association of the result is with the `clock` passed as a parameter. If `clock` is `null` the association is made with the realtime clock.

## relative(Clock, RelativeTime)

### Signature

```
public  
    javax.realtime.RelativeTime relative(Clock clock, RelativeTime  
    dest)
```

### Parameters

*clock* The `clock` parameter is used only as the new clock association with the result, since no conversion is needed.

*dest* If `dest` is not `null`, the result is placed there and returned. Otherwise, a new object is allocated for the result.

### Returns

The copy of `this` in `dest` if `dest` is not `null`, otherwise the result is returned in a newly allocated object. It is associated with the `clock` parameter.

Return a copy of `this`. If `dest` is not `null`, the result is placed there and returned. Otherwise, a new object is allocated for the result. This method is the implementation of the `abstract` method of the `HighResolutionTime` base class. No conversion into `RelativeTime` is needed in this case. The clock association of the result is with the `clock` passed as a parameter. If `clock` is `null` the association is made with the realtime clock.

## subtract(RelativeTime)

### Signature

```
public
    javax.realtime.RelativeTime subtract(RelativeTime time)
```

*Parameters*

*time* The time to subtract from **this**.

*Throws*

*IllegalArgumentException* when the **clock** associated with **this** and the **clock** associated with the **time** parameter are different, or when the **time** parameter is **null**.

*ArithmeticException* when the result does not fit in the normalized format.

*Returns*

A new **RelativeTime** object whose time is the normalization of **this** minus the parameter **time**.

Create a new instance of **RelativeTime** representing the result of subtracting **time** from the value of **this** and normalizing the result.

The **clock** associated with **this** and the **clock** associated with the **time** parameter are expected to be the same, and such association is used for the result.

**subtract(RelativeTime, RelativeTime)***Signature*

```
public
    javax.realtime.RelativeTime subtract(RelativeTime time,
    RelativeTime dest)
```

*Parameters*

*time* The time to subtract from **this**.

*dest* If **dest** is not **null**, the result is placed there and returned. Otherwise, a new object is allocated for the result.

*Throws*

*IllegalArgumentException* when the if the **clock** associated with **this** and the **clock** associated with the **time** parameter are different, or when the **time** parameter is **null**.

*ArithmeticException* when the result does not fit in the normalized format.

*Returns*

the result of the normalization of **this** minus the **RelativeTime** parameter **time** in **dest** if **dest** is not **null**, otherwise the result is returned in a newly allocated object.

Return an object containing the value resulting from subtracting the value of **time** from the value of **this** and normalizing the result. If **dest** is not **null**, the result is placed there and returned. Otherwise, a new object is allocated for the result.

The **clock** associated with **this** and the **clock** associated with the **time** parameter are expected to be the same, and such association is used for the result.

The `clock` associated with the `dest` parameter is ignored.

## **negate**

### *Signature*

```
public
    javax.realtime.RelativeTime negate()
```

### *Returns*

a new object with value of this scaled by -1  
Change the sign of this relative time.

**Available since RTSJ version RTSJ 2.0**

## **negate(RelativeTime)**

### *Signature*

```
public
    javax.realtime.RelativeTime negate(RelativeTime time)
```

### *Parameters*

*time* in which to store the results.

### *Returns*

*time* with the value of `this` scaled by -1.  
Set `time` to this relative time by -1.

**Available since RTSJ version RTSJ 2.0**

## **scale(int)**

### *Signature*

```
public
    javax.realtime.RelativeTime scale(int factor)
```

### *Parameters*

*factor* by which to increase the time interval.

### *Returns*

a new object with value of this scaled by `factor`.  
Change the length of this relative time by multiplying it by `factor`.

**Available since RTSJ version RTSJ 2.0**

## scale(RelativeTime, int)

### *Signature*

```
public  
    javax.realtime.RelativeTime scale(RelativeTime time, int factor)
```

### *Parameters*

*time* in which to store the results.

*factor* by which to increase the time interval.

### *Returns*

time with the value of **this** scaled by **factor**

Set **time** to the value of **this** time by multiplied by **factor**.

**Available since RTSJ version RTSJ 2.0**

## compareToZero

### *Signature*

```
public  
    int compareToZero()
```

### *Returns*

negative if **this** is less than zero, 0, if it is equal to zero and a positive if **this** is greater than zero.

Compare **this** to relative time zero returning the result of the comparison. Equivalent to `constantZero.compareTo(this)`

**Available since RTSJ version RTSJ 2.0**

## toString

### *Signature*

```
public  
    java.lang.String toString()
```

### *Returns*

String object converted from the time given by **this**.

Create a printable string of the time given by **this**.

The string shall be a decimal representation of the milliseconds and nanosecond values; formatted as follows "(2251 ms, 750000 ns)"

## 9.5 Rationale

Time is the essence of realtime systems, and a method of expressing absolute time with sub-millisecond precision is an absolute minimum requirement. Expressing time in terms of nanoseconds has precedent and allows the implementation to provide time-based services, such as timers, using whatever precision it is capable of while the application requirements are expressed to an arbitrary level of precision.

The standard Java `java.util.Date` class uses milliseconds as its basic unit in order to provide sufficient range for a wide variety of applications. realtime programming generally requires finer resolution, and nanosecond resolution is fine enough for most purposes, but even a 64 bit realtime clock based in nanoseconds would have insufficient range in some situations, so a compound format composed of 64 bits of millisecond timing, and 32 bits of nanoseconds within a millisecond, was chosen.

The expression of millisecond and nanosecond constituents is consistent with other Java interfaces.

The expression of relative times allows for time-based metaphors such as deadline-based periodic scheduling where the cost of the task is expressed as a relative time and deadlines are usually represented as times relative to the beginning of the period.



# Chapter 10

## Clocks and Timers

### 10.1 Overview

In order to reason about time, the RTSJ needs not only to be able to express times and calculate with them; but it also needs to be able to determine the current time and allow actions to be performed when a given time is reached. For this purpose, the specification defines four classes: `Clock`, `Timer`, `PeriodicTimer`, and `OneShotTimer`.

A clock is used to measure time: it can get the current time and it can trigger timing events. At least one instance of the abstract `Clock` class is provided by the implementation, the system *realtime clock*, and this instance is made available as a singleton. The creation and use of other clock are discussed later (see Section [10.3.1](#)).

The `Timer` classes provide the means of executing code at a particular point in time or repeatedly at a given interval. `Timer` is an abstract class and consequently only its subclasses can be instantiated. The `Timer` class provides the interface and underlying implementation for both one-shot and periodic timers. Instances of `OneShotTimer` and `PeriodicTimer` can be created and rescheduled specifying the initial firing time either as an `AbsoluteTime`, to be considered at the application of the start command, or as a `RelativeTime`, to be considered from the application of the start command. The `PhasingPolicy` class defines the relationship between a `PeriodicTimer`'s start time and its first release time when the start time is in the past.

By attaching an `AbstractAsyncEventHandler` to a `Timer`, the program can cause the release of the handler at a given time or after a give interval. An instance of `OneShotTimer` describes an event that is to be triggered at most once (unless restarted after expiration). It may be used as the source for time-outs and watchdog timing. An instance of `PeriodicTimer` fires or skips on a periodic schedule. The

period for a `PeriodicTimer` is always specified as a `RelativeTime`.

## 10.2 Definitions

Understanding the support for clocks and timer requires some basic terms.

A *timing mechanism* is a `Clock`, capable of representing and following the progress of time, by means of time values.

A *monotonic clock* is a clock whose time values always progress in one direction, and

a *monotonically increasing* clock is a clock whose time values never decrease. Monotonicity is a boolean property, while time synchronization, uniformity, and accuracy are characteristics that depend on agreed tolerances.

*Time synchronization* is a relation between two clocks. Two clocks are synchronized when the difference between their time values is less than some specified offset. Synchronization in general degrades with time, and may be lost, given a specified offset.

*Resolution* is the minimal time value interval that can be distinguished by a timing mechanism.

*Uniformity*, in this context, refers to the measurement of the progress of time at a consistent rate, with a tolerance on the variability. Uniformity is affected by two other factors, *jitter* and *stability*.

*Jitter* is caused by short-term and non-cumulative small time variation due to noise sources, such as thermal noise. More practically, jitter refers to the distribution of the differences between when events are actually fired or noticed by the software and when they should have really occurred according to time in the real-world.

*Stability* in this context refers to temporal stability. Lack of stability accounts for large and often cumulative variations, due to e.g. supply voltage and temperature.

In practice, a timing mechanism is driven by an oscillator. *Accuracy* is the difference between the desired frequency and the actual frequency of the oscillator, and a major reason of synchronization loss.

*Epoch* An epoch is the date and time relative to which a computer's clock and timestamp values are determined. The epoch traditionally corresponds to 0 hours, 0 minutes, and 0 seconds (00:00:00) Coordinated Universal Time (UTC) on a specific date.

The system *realtime clock* is monotonically increasing, with the epoch as January 1, 1970, 00:00:00 GMT. The system realtime clock is not necessarily synchronized with the external world, and the correctness of the epoch as a time base depends on such synchronization. It is as uniform and accurate as allowed by the underlying hardware.

An *application defined clock* should also be monotonically increasing.



A `Timer` use a clock to measures time, and informs a `TimeDispatcher` when the time has elapsed (relative time) or has been reached (absolute time). The `TimeDispatcher` causes the release of any `AsyncEventHandler` associated with the `Timer`. In the context of a `Timer`, *triggering* is the action that informs the `TimeDispatcher` to *fire* or *skip*, where *skip* causes the normal action of *fire* not to be carried out.

A `Timer` is *active* when it has been started and not stopped since last started and it has a time in the future at which it is expected to fire or skip, else it is *not active*.

In the context of a `Timer`, *enabling* cause the `Timer` to fire when it is triggered, while *disabling* causes the `Timer` to skip when it is triggered. Enabling and disabling act as a mask over firing.

The behavior of a `OneShotTimer` is that of a `Timer` that does not automatically reschedule its triggering after an initial triggering, regardless of whether it fires or skips (when *disabled* and *active* when triggered). It is specified using an initial firing time.

The behavior of a `PeriodicTimer` is that of a `Timer` that automatically reschedules after each triggering, regardless of whether the triggering results in a fire or a skip due to being disabled when triggered. It is specified using an initial firing time and an interval or period used for the self-rescheduling.

A `Clock` can also be used to regulate pauses in execution of any `Schedulable` through a realtime `sleep` method, hence timers and schedulables are classified as timables under the `Timable` interface.

Both `OneShotTimer` timer and `PeriodTimer` are associated with the specification of the initial firing time. A `PeriodicTimer` receives two clock references, within to `HighResolutionTimer` objects, which must be to the same clock. Thus the specification of the initial firing time and the interval or period must refer to the same clock.

The *counting time* is the time accumulated while *active* by a `Timer` created or rescheduled using a `RelativeTime` to specify the initial firing/skipping time. The *counting time* is zeroed at the beginning of an activation, or when rescheduled, while *active*, before the initial firing/skipping of an activation.

## 10.3 Semantics

The semantics of clocks and timers are not simply functional. Temporal attributes are quite important as well. Therefore the interaction between classes is critical to the overall understanding of the API. **Open issue:** yeuk intro, I prefer the original **End of open issue** The class descriptions as well as their constructor, method, and field documentation given later provide the detailed semantics to support this overall behavior.

### 10.3.1 Clocks and Timables

A **Clock** is the basic mechanism of measuring time. A **Timer** can request a signal from the clock when a given time is reached. That signal should come as close to the actual time requested as possible. A schedulable also uses a clock to implement the realtime sleep methods. Each clock instance shall be capable of reporting the achievable resolution of timers based on that clock. Each implementation shall have a default clock that is used whenever no other clock is specified. An application can also defined additional clocks.

A **Timer** is an **ActiveEvent**. This means that it has an associated dispatcher called **TimeDispatcher**. As with other active events, the application can either use the default dispatcher or create a new one with its own priority and affinity. A **Schedulable** can also have a **TimeDispatcher** to manage sleeping.

Every timable, **Timer** or **Schedulables**, has one clock associated with it, on which the measurement of time will be based. Each clock maintains a list of times, called alarms, that are provided to it from timables. The clock is armed with the next alarm. When that time arrives, the clock signals the **TimeDispatcher** associated with the alarm to signal its **Timable** that the time has arrived.

In the case of a **Timer**, the dispatcher triggers the timer to fire all of its events. In the case of a **Schedulable**, the dispatcher triggers the **Schedulable** to wake up from its sleep. Figure 10.1 illustrated how a timer interacts with a user defined clock and Figure 10.2 depicts the same for using realtime sleep in a schedulable.

In each case, an external schedulable, depicted on the right, initializes the objects involved. A **TimeDispatcher** and a **Clock** are created. These used when creating the **Timable** as illustrated with step one and two respectively in both diagrams. A developer can always use a pre-existing clock or dispatcher instead of creating a new one.

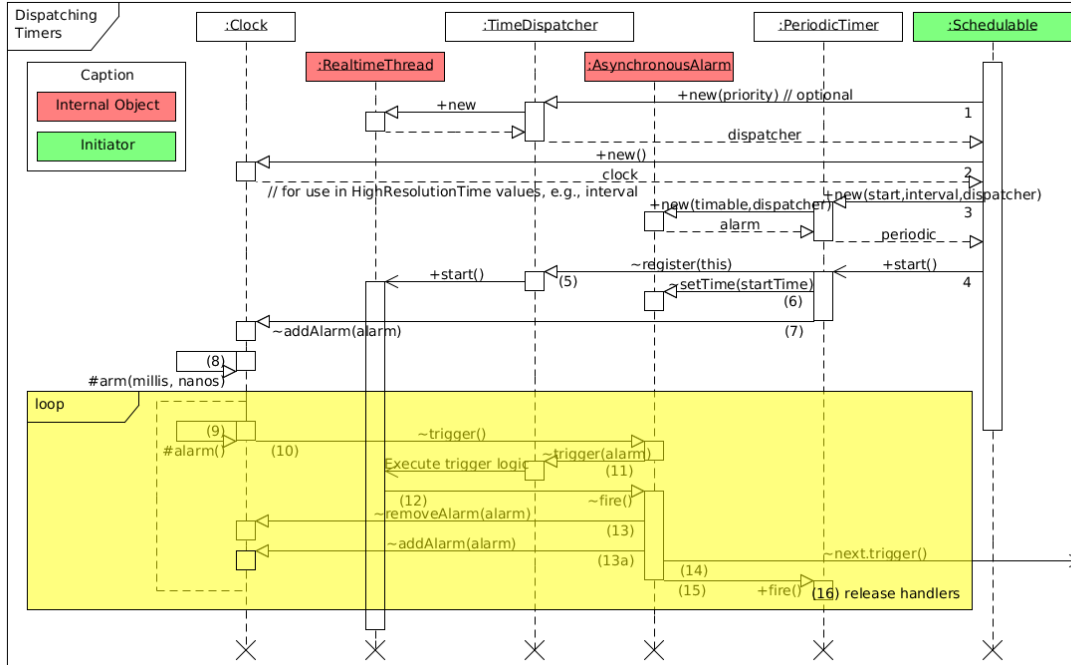
Each timable acts as if it had an internal object, depicted as an instance of **Alarm**, to manage the relationship between a **Timable** and its dispatcher and clock. **Alarm** is shown simply to illustrate this relationship. It is created, step three in both diagrams, when the **Timable** is created and it represents the next alarm that the **Timable** should receive: a fire for a time and a wake up call for a realtime sleep on a schedulable.

At step four, the two sequences diverge. The application start a timer with the start method, but a thread must call a realtime sleep method. In both cases, step four sets the timing in motion.

Steps (5) through (8) step up the time interval. For initiating the trigger for the first time, step (5) registers the **Timable** with its dispatcher. Later starts or sleeps skip this step. Then the time is set in the alarm and the alarm is added to the clock.

When the new alarm is the next alarm to be triggered, then the clock sets the clock to signal that time as in step (8). When the alarm is added anywhere else in

Figure 10.1: Sequence Diagram for Using a Timer



the clock queue, step (8) is delayed until the removal of an alarm causes the added alarm to reach the top of the queue.

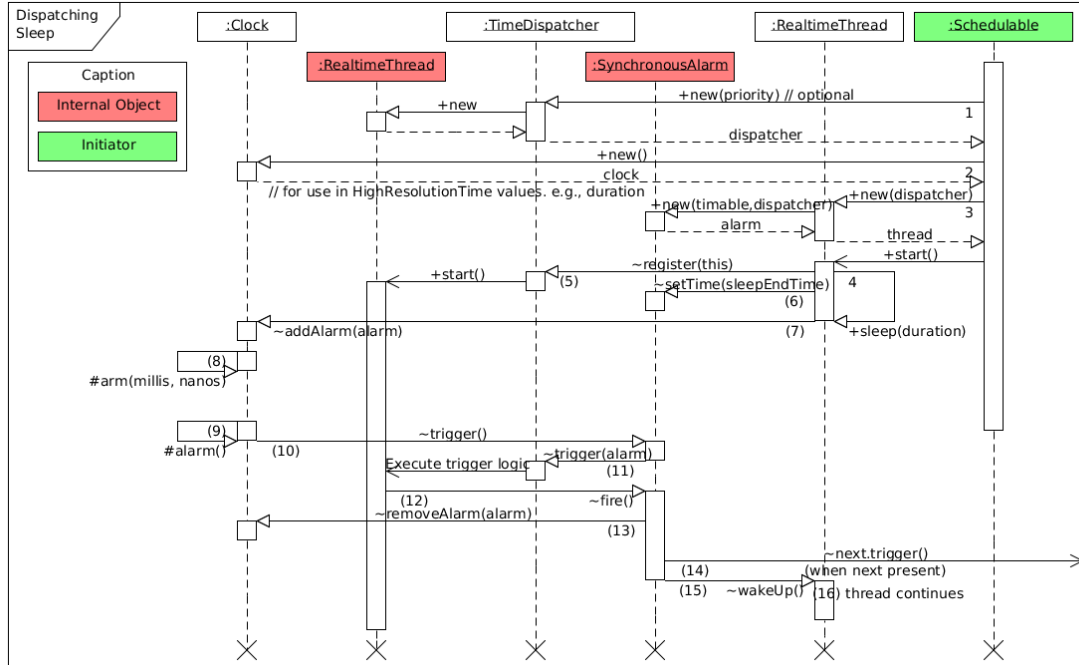
When the alarm time is reached, step (9), the clock triggers the alarm by calling trigger on the alarm event, step (10). This in turn triggers the dispatcher, step (11). This is an asynchronous call that causes the dispatcher’s thread to take over control from the clocks interrupt handler.

In step (12), the dispatcher thread removes the alarm from the clock queue, possibly causing a new alarm to become active. In the periodic thread case, the alarm is rescheduled by incrementing the time in the alarm by the interval and adding it back into the queue. In all other cases, no new alarm is set.

In step (13) any subsequent alarms that were scheduled are also kicked off. The Clock queue is a two dimensional queue that is organized by the time of the alarm and, within any given time, the priority order, highest to lowest, of the dispatchers associated with the alarms. The trigger in step (10) always goes to the alarm with the highest priority dispatcher. In the case that two alarms have dispatchers with the same priority, the last to be entered its triggered first to ensure that shorter deadlines are handled before longer ones.

Finally in step (14), the dispatcher fires its timable. In the case of a Timer,

Figure 10.2: Sequence Diagram for Realtime Sleep



this causes all its handlers to be released and, in the case of a `Schedulable`, This is marked as (15) in the diagrams.

Clocks and `TimeDispatchers` may be shared among many timables as the needs of the application dictate. Different dispatchers can be used with a given clock and a dispatcher can service different clocks. The dispatcher should be chosen based on its priority and affinity, whereas a clock should be chosen based on the temporal reference, where the temporally reference may or may not be associated with clock time. For instance, one could use a clock to represent the rotation of a shaft.

### 10.3.2 Timers

For a timer to be useful, it must be associated with a clock. That clock acts as if it provides an interrupt to each of its timers at the next instance of time at which the timer should do something. In other words, a clock triggers it timer at a requested time. Timers can be modeled as counters, or as comparators.

### 10.3.2.1 Counter Model

In the timer model, a timer can be viewed as if every clock interrupt increments a count up to the firing count, initially given by either an instance of `RelativeTime` or computed as the difference between an instance of `AbsoluteTime` and a semantically specified “now” (using the same clock).

- `start` is understood as defining “now” and start counting, `stop` is understood as stop counting. `start` after `stop` may be understood as start counting again from where stopped, or start from scratch after resetting the count.
- In both cases, a delay is introduced.
- An `RTSJ Timer`, when using the counter model, resets the count when it is restarted after being stopped.
- When a `Timer` is created or rescheduled using a `RelativeTime` to specify the initial alarm time, the `RTSJ` keeps the specified initial trigger time as a `RelativeTime` and behaves according to the counter model.

### 10.3.2.2 Comparator Model

In the comparator model, a `Timer` can be viewed as if every clock interrupt forces a comparison between an absolute time and a firing time, initially given either as an instance of `AbsoluteTime` or computed as the sum of an instance of `RelativeTime` and a semantically specified “now” (using the same clock).

- In this model, `start` is understood as start comparing, and possibly the first `start` is understood as defining “now”. `stop` is understood as stop comparing. `start` after `stop` may be understood as start comparing again.
- In this case, no delay is introduced.
- When a `Timer` is created or rescheduled using an `AbsoluteTime` to specify the initial triggering time, the `RTSJ` keeps the specified initial firing time as an `AbsoluteTime` and uses the comparator model.

### 10.3.2.3 Triggering

A clock signals to the associated timable that its alarm time has been reached by triggering the dispatcher associated with the timable. A trigger fires the associated timer. When the timer is active, it releases its handlers and is said to be fired. When the timer is inactive, nothing happens and it is said to be skipped. A stopped timer is never triggered. For this it must be running.

### 10.3.2.4 Behavior of Timers

There are two kinds of timers defined: `OneShotTimer` and `PeriodicTimer`. As their names imply, the first is used to mark a single time interval and the second is to

mark a regularly repeating time interval.

The `OneShotTimer` class shall ensure that each instance is triggered at most once at the time specified unless restarted after expiration.

The `PeriodicTimer` class shall enable the period of a timer to be expressed in terms of a `RelativeTime`. The initial triggering of a `PeriodicTimer` occurs in response to the invocation of its `start` method, in accordance with the start time passed to its constructor. The `PhasingPolicy` class defines the relationship between the timers start time and its first release time when the start time is in the past. This initial triggering, firing or skipping, may be rescheduled by a call to the `reschedule` method, in accordance with the time passed to that method.

Given an instance of `PeriodicTimer`, let  $S$  be the effective time, as an absolute time, at which the initial triggering, firing or skipping, of a `PeriodicTimer` is scheduled to occur:

- when the start, or reschedule, time was given as an absolute time,  $A$ , and that time is in the future when the timer is made active, then  $S$  equals  $A$ , otherwise
- when the absolute time has passed when the timer is made active, then  $S$  depends on the phasing mode of that instance of `PeriodicTimer`.

The triggerings of a `PeriodicTimer` are scheduled to occur according to  $S + nT$ , for  $n = 0, 1, 2, \dots$  where  $S$  is as just specified, and  $T$  is the interval of the periodic timer.

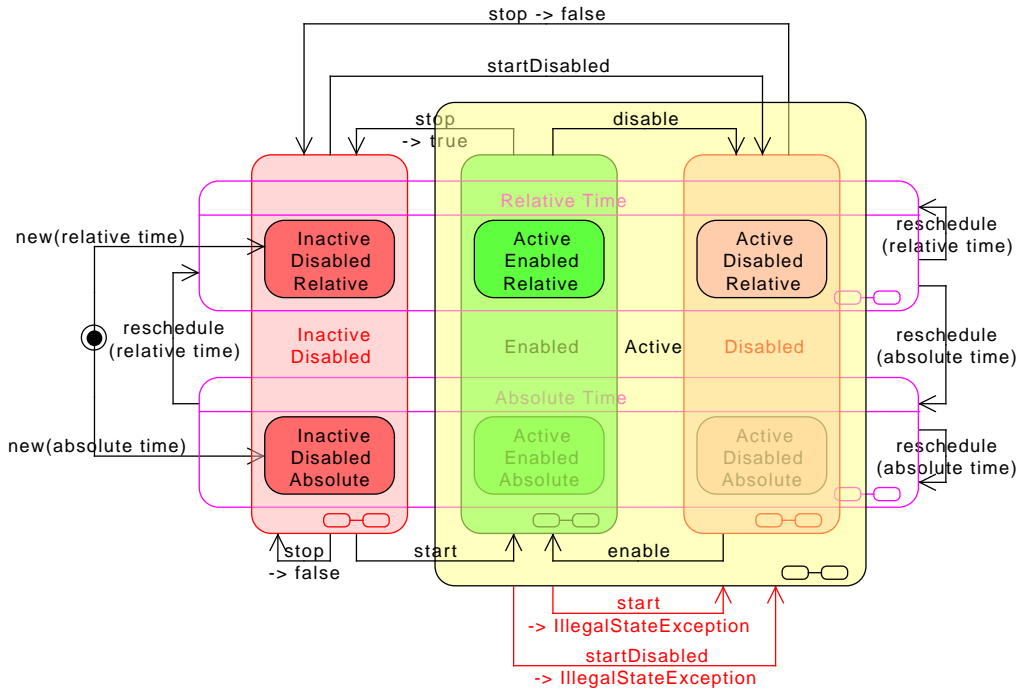
For all timers, when the start or reschedule time is given as a relative time,  $R$ ,  $S$  equals the time at which the *counting time*, started when the timer was made *active*, equals  $R$ . The transition to *not-active* by this timer causes the *counting time* to reset, effectively preventing this kind of timer from firing immediately, unless given a time value of 0.

When in a *not-active* state a `Timer` retains the parameters given at construction time or the parameters it had at de-activation time. Those are the parameters that will be used upon invocation of `start` while in that state, unless the parameters are explicitly changed before that, using `reschedule` and `setInterval` as appropriate.

When a `Timer` object is allocated in a scoped memory area, then it will increment the reference count associated with that area. Such a reference count will only be decremented when the `Timer` object is destroyed. (See semantics in the *Memory* chapter for details.) A `Timer` object will not fire before its due time.

The states of a `Timer` are essentially the same as for an `ActiveEvent` as depicted in Figure 8.3. The main difference is that the time used for the next fire may be either an absolute time or a relative time. Figure ?? reflects this difference in a UML state diagram.

Figure 10.3: States of a Timer



### 10.3.2.5 Phasing

Phasing comes into play only when a timer starts after its initial time. This can happen when an absolute start time is specified and the start method is called after that time. It is used to determine the effective start time  $S$ :

- $S$  is the next multiple of  $A + nT$ , when phasing is ADJUST\_FORWARD,
- $S$  is the most recent multiple of  $A + nT$ , when phasing is ADJUST\_BACKWARD,
- $S$  is “now,” when phasing is ADJUST\_TO\_START, and
- $S$  is undefined and an exception is thrown when phasing is STRICT\_PHASING.

The default phasing is ADJUST\_TO\_START.

## 10.4 Package `javax.realtime`

### 10.4.1 Interfaces

#### 10.4.1.1 Timable

---

A marker interface for `Timer`<sup>1</sup> and `RealtimeThread`<sup>2</sup> to indicate that they can be associated with a clock and be suspended waiting for timing events based on that clock.

Available since RTSJ version RTSJ 2.0

##### 10.4.1.1.1 Methods

---

### `getDispatcher`

*Signature*

```
public
    javax.realtime.TimeDispatcher getDispatcher()
```

Get the dispatcher associated with this `Timeable`.

Available since RTSJ version RTSJ 2.0

### `fire`

*Signature*

```
public
    void fire()
    throws IllegalStateException
```

*Throws*

---

<sup>1</sup>Section [10.4.2.6](#)

<sup>2</sup>Section [5.3.2.2](#)



*IllegalStateException* when no sleep is pending or not called from the `javax.realtime` package.

Inform the dispatcher associated with this `Timeable` that a time event has occurred.

Available since RTSJ version RTSJ 2.0

## 10.4.2 Classes

### 10.4.2.1 Alarm

---

#### Inheritance

java.lang.Object  
  javax.realtime.Alarm

A class to manage the relationship between a `Clock`<sup>3</sup>, a `TimeDispatcher`<sup>4</sup>, a `Timable`<sup>5</sup>, and an `AbsoluteTime`<sup>6</sup>, where the clock is the time reference, the dispatcher runs the event, the timable is to receive the event, and the time is when it should happen. These events are also used to build the internal alarm queue of a clock. Each one is owned by its timable. It is declared public final because to is not designed to be extended.

Available since RTSJ version RTSJ 2.0

#### 10.4.2.1.1 Fields

---

**owner\_**  
private final owner\_

**dispatcher\_**  
private final dispatcher\_

---

<sup>3</sup>Section [10.4.2.2](#)

<sup>4</sup>Section [10.4.2.5](#)

<sup>5</sup>Section [10.4.1.1](#)

<sup>6</sup>Section [9.4.1.1](#)

```
time_
    private final time_
```

```
next_
    private next_
The next at the same time
```

```
after_
    private after_
The first at the next time
```

#### 10.4.2.1.2 Constructors

---

### Alarm(Timable, Clock)

*Signature*

```
Alarm(Timable owner, Clock clock)
```

#### 10.4.2.1.3 Methods

---

### getOwner

*Signature*

```
javax.realtime.Timable getOwner()
```

*Returns*

the [Timable](#)<sup>7</sup> for which this alarm is defined.

This method is not part of the official API, but is used to illustrate how user defined clocks may be implemented.

---

<sup>7</sup>Section [10.4.1.1](#)

## getDispatcher

### Signature

```
javax.realtime.TimeDispatcher getDispatcher()
```

### Returns

the [TimeDispatcher](#)<sup>8</sup> for which this alarm is defined.

This method is not part of the official API, but is used to illustrate how user defined clocks may be implemented.

## getTime

### Signature

```
javax.realtime.AbsoluteTime getTime()
```

### Returns

the [AbsoluteTime](#)<sup>9</sup> when this alarm should "go off".

This method is not part of the official API, but is used to illustrate how user defined clocks may be implemented.

## setTime(AbsoluteTime)

### Signature

```
void setTime(AbsoluteTime time)
```

### Parameters

*time* to set for this alarm to "go off".

This method is not part of the official API, but is used to illustrate how user defined clocks may be implemented.

## getNext

### Signature

```
javax.realtime.Alarm getNext()
```

### Returns

the next alarm in a chain of alarms that have the same time.

This method is not part of the official API, but is used to illustrate how user defined clocks may be implemented.

---

<sup>8</sup>Section [10.4.2.5](#)

<sup>9</sup>Section [9.4.1.1](#)

## getSequential

*Signature*

```
javax.realtime.Alarm getSequential()
```

*Returns*

the alarm with the closest time after the current one for a given clock.

This method is not part of the official API, but is used to illustrate how user defined clocks may be implemented.

## setNext(Alarm)

*Signature*

```
void setNext(Alarm value)
```

*Parameters*

*value* is the next alarm to add into the list of alarms with the same time.

This method is not part of the official API, but is used to illustrate how user defined clocks may be implemented.

## setSequential(Alarm)

*Signature*

```
void setSequential(Alarm value)
```

*Parameters*

*value* is the next alarm to add into the sequence of successive alarms for a [Clock](#)<sup>10</sup>.

This method is not part of the official API, but is used to illustrate how user defined clocks may be implemented.

## trigger(long, int)

*Signature*

```
void trigger(long millis, int nanos)
```

Call [TimeDispatcher.trigger](#)<sup>11</sup> on the result of [getDispatcher](#)<sup>12</sup>.

---

<sup>10</sup>Section [10.4.2.2](#)

<sup>11</sup>Section [10.4.2.5.2](#)

<sup>12</sup>Section [10.4.2.1.3](#)

**fire***Signature*

```
abstract
void fire()
```

*Throws*

*IllegalStateException* when called from user code.

Provides a means for a [Clock](#)<sup>13</sup> to signal the start of a period.

Available since RTSJ version RTSJ 2.0

**10.4.2.2 Clock****Inheritance**

```
java.lang.Object
  javax.realtime.Clock
```

A clock marks the passing of time. It has a concept of now that can be queried through `Clock.getTime()`, and it can have events queued on it which will be fired when their appointed time is reached.

Note that while all `Clock` implementations use representations of time derived from `HighResolutionTime`, which expresses its time in milliseconds and nanoseconds, that a particular `Clock` may track time that is not delimited in seconds or not related to wall clock time in any particular fashion (*e.g.*, revolutions or event detections). In this case, the `Clock`'s timebase should be mapped to milliseconds and nanoseconds in a manner that is computationally appropriate.

The `Clock` instance returned by `getRealtimeClock()`<sup>14</sup> may be used in any context that requires a clock. `HighResolutionTime`<sup>15</sup> instances that use other clocks are not valid for any purpose that involves sleeping or waiting, including in members of the `RealtimeThread.waitForNextPeriod()`<sup>16</sup> family. They may, however, be used in the fire time and the period of `OneShotTimer`<sup>17</sup> and `PeriodicTimer`<sup>18</sup>.

**10.4.2.2.1 Constructors**


---

<sup>13</sup>Section [10.4.2.2](#)

<sup>14</sup>Section [10.4.2.2.2](#)

<sup>15</sup>Section [9.4.1.2](#)

<sup>16</sup>Section [5.3.2.2.2](#)

<sup>17</sup>Section [10.4.2.3](#)

<sup>18</sup>Section [10.4.2.4](#)

## Clock(boolean)

### *Signature*

```
protected
    Clock(boolean active)
```

### *Parameters*

*active* to indicate whether or not the clock can be used to drive events.  
Constructor for the abstract class.

### 10.4.2.2.2 Methods

---

## getRealtimeClock

### *Signature*

```
public static
    javax.realtime.Clock getRealtimeClock()
```

### *Returns*

The singleton instance of the default `Clock`.  
There is always at least one clock object available: the system realtime clock. This is the default `Clock`.

## drivesEvents

### *Signature*

```
public final
    boolean drivesEvents()
```

Returns true if and only if this `Clock` is able to trigger the execution of time-driven activities. Some application-defined clocks may be read-only, meaning the clock can be used to obtain timestamps, but the clock cannot be used to trigger the execution of events. If a clock that does not return `drivesEvents()`<sup>19</sup> equal `true` is used to configure a `Timer` or a `sleep()` request, an `IllegalArgumentException` will be thrown by the infrastructure.

The default realtime clock does drive events.

---

<sup>19</sup>Section 10.4.2.2.2

**Open issue:** Note that there exists some confusion in the RTSJ regarding the significance of the value returned from `Clock.getRealtimeClock().getResolution()`. Does the returned resolution represent the precision with which scheduling events can be driven, or is it the resolution with which time stamps values can be fetched from `Clock.getRealtimeClock().getTime()`? My personal preference is that whenever a particular `Clock` has different resolution for driving events than for reading the current time, we would treat these as two different `Clocks`, with incomparable time bases. **End of open issue**

**Available since RTSJ version RTSJ 2.0**

## getEpochOffset

### Signature

```
public final
    javax.realtime.RelativeTime getEpochOffset()
```

### Throws

*UnsupportedOperationException* when the clock does not have the concept of date.

### Returns

A newly allocated `RelativeTime`<sup>20</sup> object in the current execution context with the offset past the Epoch for `this` clock. The returned object is associated with `this` clock.

Returns the relative time of the offset of the epoch of `this` clock from the Epoch. The value returned may change over time due to clock drift. An `UnsupportedOperationException` is when the clock does not support the concept of date.

**Available since RTSJ version RTSJ 1.0.1**

## getDrivePrecision

### Signature

```
public abstract
    javax.realtime.RelativeTime getDrivePrecision()
```

### Returns

`dest` set to values representing the drive precision.

---

<sup>20</sup>Section 9.4.1.3

Gets the precision of the clock for driving events, the nominal interval between ticks that can trigger an event. It is the same as calling `getDrivePrecision(RelativeTime)`<sup>21</sup> with `null` as its argument.

**Available since RTSJ version RTSJ 2.0**

## `getDrivePrecision(RelativeTime)`

*Signature*

```
public abstract  
javax.realtime.RelativeTime getDrivePrecision(RelativeTime dest)
```

*Parameters*

*dest* return the relative time value in *dest*. When *dest* is `null`, it allocates a new `RelativeTime`<sup>22</sup> instance to hold the returned value.

*Returns*

*dest* set to values representing the drive precision.

Gets the precision of the clock for driving events, the nominal interval between ticks that can trigger an event.

**Available since RTSJ version RTSJ 2.0**

## `getQueryPrecision`

*Signature*

```
public abstract  
javax.realtime.RelativeTime getQueryPrecision()
```

*Returns*

*dest* set to values representing the read precision.

Gets the precision of the time read, the nominal interval between ticks. It is the same as calling `getQueryPrecision(RelativeTime)`<sup>23</sup> with `null` as an argument.

**Available since RTSJ version RTSJ 2.0**

---

<sup>21</sup>Section [10.4.2.2.2](#)

<sup>22</sup>Section [9.4.1.3](#)

<sup>23</sup>Section [10.4.2.2.2](#)



## getQueryPrecision(RelativeTime)

### Signature

```
public abstract
    javax.realtime.RelativeTime getQueryPrecision(RelativeTime dest)
```

### Parameters

*dest* return the relative time value in *dest*. If *dest* is null, allocate a new [RelativeTime](#)<sup>24</sup> instance to hold the returned value.

### Returns

*dest* set to values representing the read precision.

Gets the precision of the time read, the nominal interval between ticks. The result may be smaller than that of [getDrivePrecision\(RelativeTime\)](#)<sup>25</sup>, when the clock is tied to some system tick for releasing events.

Available since RTSJ version RTSJ 2.0

## getTime

### Signature

```
public final
    javax.realtime.AbsoluteTime getTime()
```

### Returns

A newly allocated instance of [AbsoluteTime](#)<sup>26</sup> in the current allocation context, representing the current time. The returned object is associated with **this** clock.

Gets the current time in a newly allocated object.

*Note:* This method will return an absolute time value that represents the clock's notion of an absolute time. For clocks that do not measure calendar time this absolute time may not represent a wall clock time.

## getTime(AbsoluteTime)

### Signature

```
public abstract
    javax.realtime.AbsoluteTime getTime(AbsoluteTime dest)
```

### Parameters

---

<sup>24</sup>Section [9.4.1.3](#)

<sup>25</sup>Section [10.4.2.2.2](#)

<sup>26</sup>Section [9.4.1.1](#)

*dest* The instance of `AbsoluteTime`<sup>27</sup> object which will be updated in place. The clock association of the `dest` parameter is ignored. When `dest` is not `null` the returned object is associated with `this` clock. If `dest` is `null`, then nothing happens.

*Returns*

The instance of `AbsoluteTime`<sup>28</sup> passed as parameter, representing the current time, associated with `this` clock, or `null` if `dest` was `null`.

Gets the current time in an existing object. The time represented by the given `AbsoluteTime`<sup>29</sup> is changed at some time between the invocation of the method and the return of the method. *Note:* This method will return an absolute time value that represents the clock's notion of an absolute time. For clocks that do not measure calendar time this absolute time may not represent a wall clock time.

**Available since RTSJ version RTSJ 1.0.1** The return value is updated from `void` to `AbsoluteTime`.

## setResolution(RelativeTime)

*Signature*

```
public abstract
void setResolution(RelativeTime resolution)
```

*Parameters*

*resolution* The new resolution of `this`, if the requested value is supported by `this` clock. If `resolution` is smaller than the minimum resolution supported by `this` clock then it throws `IllegalArgumentException`. If the requested `resolution` is not available and it is larger than the minimum resolution, then the clock will be set to the closest resolution that the clock supports, via truncation. The value of the `resolution` parameter is not altered. The clock association of the `resolution` parameter is ignored.

*Throws*

*IllegalArgumentException* when `resolution` is `null`, or if the requested `resolution` is smaller than the minimum resolution supported by `this` clock.

*UnsupportedOperationException* when the clock does not support setting its resolution.

Set the resolution of `this`. For some hardware clocks setting resolution is impossible and if this method is called on those clocks, then an `UnsupportedOperationException` is thrown.

---

<sup>27</sup>Section 9.4.1.1

<sup>28</sup>Section 9.4.1.1

<sup>29</sup>Section 9.4.1.1

## triggerAlarm

### Signature

```
protected final  
void triggerAlarm()
```

Code in the abstract base `Clock` is called by a subclass to signal that the time of the next alarm has been reached. It will trigger the current `Timable`<sup>30</sup> via its `TimeDispatcher`<sup>31</sup>. For timers that do not drive events, this should simply do nothing.

Available since RTSJ version RTSJ 2.0

## setAlarm(long, int)

### Signature

```
protected abstract  
void setAlarm(long milliseconds, int nanoseconds)
```

### Parameters

*milliseconds* of the next alarm.

*nanoseconds* of the next alarm.

Implemented by subclasses to set the time for the next alarm. If there is an outstanding alarm outstanding when called, the subclass must override the old time. This should never be called from application or library code. It is intended to be called only from the `javax.realtime` package.

Available since RTSJ version RTSJ 2.0

## clearAlarm

### Signature

```
protected abstract  
void clearAlarm()  
throws UnsupportedOperationException
```

### Throws

*UnsupportedOperationException* when this clock does not support event notification. (`drivesEvents()`<sup>32</sup> returns false.)

---

<sup>30</sup>Section 10.4.1.1

<sup>31</sup>Section 10.4.2.5

<sup>32</sup>Section 10.4.2.2.2

Implemented by subclasses to cancel the current outstanding alarm.

Available since RTSJ version RTSJ 2.0

## setAlarm(Alarm)

*Signature*

```
final
void setAlarm(Alarm event)
throws UnsupportedOperationException, IllegalStateException
```

*Parameters*

*event* describes an alarm to be set for a given [Timable](#)<sup>33</sup>.

*Throws*

*UnsupportedOperationException* when this clock does not support event notification. ([drivesEvents\(\)](#)<sup>34</sup> returns false.)

This method is not part of the official API, but is used to illustrate how user defined clocks may be implemented. Adds a new alarm to the alarm queue. This code manages calls to [setAlarm\(long, int\)](#)<sup>35</sup> with [triggerAlarm\(\)](#)<sup>36</sup> and [clearAlarm\(Alarm\)](#)<sup>37</sup>. It is for internal use by a [Timable](#)<sup>38</sup>.

This method is provided for illustration purposes only. As a method that is not visible outside the package, it is not part of the specification.

Available since RTSJ version RTSJ 2.0

## clearAlarm(Alarm)

*Signature*

```
final
void clearAlarm(Alarm event)
throws UnsupportedOperationException
```

*Parameters*

*event* describes an alarm to be set for a given [Timable](#)<sup>39</sup>.

---

<sup>33</sup>Section [10.4.1.1](#)

<sup>34</sup>Section [10.4.2.2.2](#)

<sup>35</sup>Section [10.4.2.2.2](#)

<sup>36</sup>Section [10.4.2.2.2](#)

<sup>37</sup>Section [10.4.2.2.2](#)

<sup>38</sup>Section [10.4.1.1](#)

<sup>39</sup>Section [10.4.1.1](#)

*Throws*

*UnsupportedOperationException* when this clock does not support event notification. (`drivesEvents()`<sup>40</sup> returns false.)

This method is not part of the official API, but is used to illustrate how user defined clocks may be implemented. Removes an alarm from the alarm queue. This code manages calls to `setAlarm(long, int)`<sup>41</sup> and `clearAlarm()`<sup>42</sup>. It is for internal use by a `Timable`<sup>43</sup>.

This method is provided for illustration purposes only. As a method that is not visible outside the package, it is not part of the specification.

**Available since RTSJ version RTSJ 2.0**

### 10.4.2.3 OneShotTimer

---

#### Inheritance

```

java.lang.Object
  javax.realtime.AbstractAsyncEvent
    javax.realtime.AsyncEvent
      javax.realtime.Timer
        javax.realtime.OneShotTimer
  
```

A timed `AsyncEvent`<sup>44</sup> that is driven by a `Clock`<sup>45</sup>. It will fire off once, when the clock time reaches the time-out time, unless restarted after expiration. If the timer is *disabled* at the expiration of the indicated time, the firing is lost (*skipped*). After expiration, the `OneShotTimer` becomes *not-active* and *disabled*. If the clock time has already passed the time-out time, it will fire immediately after it is started or after it is rescheduled while *active*.

Semantics details are described in the `Timer`<sup>46</sup> pseudocode and compact graphic representation of state transitions.

**Caution:** This class is explicitly unsafe in multithreaded situations when it is being changed. No synchronization is done. It is assumed that users of this class who are mutating instances will be doing their own synchronization at a higher level.

---

<sup>40</sup>Section 10.4.2.2.2

<sup>41</sup>Section 10.4.2.2.2

<sup>42</sup>Section 10.4.2.2.2

<sup>43</sup>Section 10.4.1.1

<sup>44</sup>Section 8.4.3.4

<sup>45</sup>Section 10.4.2.2

<sup>46</sup>Section 10.4.2.6

### 10.4.2.3.1 Constructors

---

## OneShotTimer(HighResolutionTime, AsyncEventHandler)

### Signature

```
public
    OneShotTimer(HighResolutionTime time, AsyncEventHandler handler)
```

### Parameters

*time* The time used to determine when to fire the event. A `time` value of `null` is equivalent to a `RelativeTime` of 0, and in this case the `Timer` fires immediately upon a call to `start()`.

*handler* The `AsyncEventHandler`<sup>47</sup> that will be released when `fire` is invoked. If `null`, no handler is associated with this `Timer` and nothing will happen when this event fires unless a handler is subsequently associated with the timer using the `addHandler()` or `setHandler()` method.

### Throws

*IllegalArgumentException* when `time` is a `RelativeTime` instance less than zero.

*UnsupportedOperationException* when the timer functionality cannot be supported using the `clock` associated with `time`.

*IllegalAssignmentError* when this `OneShotTimer` cannot hold a reference to `handler`.

Create an instance of `OneShotTimer`<sup>48</sup>, based on the `Clock`<sup>49</sup> associated with the `time` parameter, that will execute its `fire` method according to the given time.

## OneShotTimer(HighResolutionTime, Clock, AsyncEventHandler)

### Signature

```
public
    OneShotTimer(HighResolutionTime time, Clock clock, AsyncEventHandler ha
```

---

<sup>47</sup>Section 8.4.3.5

<sup>48</sup>Section 10.4.2.3

<sup>49</sup>Section 10.4.2.2

*Parameters*

*time* The time used to determine when to fire the event. A `time` value of `null` is equivalent to a `RelativeTime` of 0, and in this case the `Timer` fires immediately upon a call to `start()`.

*clock* The clock on which to base this timer, overriding the clock associated with the parameter `time`. If `null`, the system `Realtime` clock is used. The clock associated with the parameter `time` is always ignored.

*handler* The `AsyncEventHandler`<sup>50</sup> that will be released when `fire` is invoked. If `null`, no handler is associated with this `Timer` and nothing will happen when this event fires unless a handler is subsequently associated with the timer using the `addHandler()` or `setHandler()` method.

*Throws*

*IllegalArgumentException* when `time` is a `RelativeTime` instance less than zero.

*UnsupportedOperationException* when the timer functionality cannot be supported using the given `clock`.

*IllegalAssignmentError* when this `OneShotTimer` cannot hold references to `handler` and `clock`.

Create an instance of `OneShotTimer`<sup>51</sup>, based on the given `clock`, that will execute its `fire` method according to the given time. The `Clock`<sup>52</sup> association of the parameter `time` is ignored.

**10.4.2.4 PeriodicTimer****Inheritance**

```

java.lang.Object
  javax.realtime.AbstractAsyncEvent
    javax.realtime.AsyncEvent
      javax.realtime.Timer
        javax.realtime.PeriodicTimer

```

An `AsyncEvent`<sup>53</sup> whose `fire` method is executed periodically according to the given parameters. The beginning of the first period is set or measured using the clock associated with the `Timer` start time. The calculation of the period uses the clock associated with the `Timer` `interval`, unless a `Clock`<sup>54</sup> is given, in which case the calculation of the period uses that clock.

---

<sup>50</sup>Section 8.4.3.5

<sup>51</sup>Section 10.4.2.3

<sup>52</sup>Section 10.4.2.2

<sup>53</sup>Section 8.4.3.4

<sup>54</sup>Section 10.4.2.2

The first firing is at the beginning of the first interval.

If an interval greater than 0 is given, the timer will fire periodically. If an interval of 0 is given, the `PeriodicTimer` will only fire once, unless restarted after expiration, behaving like a `OneShotTimer`. In all cases, if the timer is *disabled* when the firing time is reached, that particular firing is lost (*skipped*). If *enabled* at a later time, it will fire at its next scheduled time.

If the clock time has already passed the beginning of the first period, the `PeriodicTimer` will first fire according to the `PhasingPolicy`<sup>55</sup>.

Semantics details are described in the `Timer`<sup>56</sup> pseudo-code and compact graphic representation of state transitions.

**Caution:** This class is explicitly unsafe in multithreaded situations when it is being changed. No synchronization is done. It is assumed that users of this class who are mutating instances will be doing their own synchronization at a higher level.

#### 10.4.2.4.1 Constructors

---

### `PeriodicTimer(HighResolutionTime, RelativeTime, AsyncEventHandler)`

*Signature*

```
public
    PeriodicTimer(HighResolutionTime start, RelativeTime interval, AsyncEvent
```

Create a timer that executes its fire method periodically. Equivalent to `PeriodicTimer(start, interval, Clock.getRealtimeClock(), handler)`

### `PeriodicTimer(HighResolutionTime, RelativeTime, Clock, AsyncEventHandler)`

*Signature*

```
public
    PeriodicTimer(HighResolutionTime start, RelativeTime interval, Clock cl
```

*Parameters*

---

<sup>55</sup>Section 5.3.1.1

<sup>56</sup>Section 10.4.2.6



*start* The time that specifies when the first interval begins, based on the clock associated with it. The first firing of the timer is modified according the `PhasingPolicy` when the timer is started. A `start` value of `null` is equivalent to a `RelativeTime` of 0.

*interval* The period of the timer. Its usage is based on the clock specified by the `clock` parameter. If `interval` is zero or `null`, the period is ignored and the firing behavior of the `PeriodicTimer` is that of a `OneShotTimer`<sup>57</sup>.

*clock* The clock to be used to time the `start` and `interval`. If `null`, the system `Realtime` clock is used. The `Clock`<sup>58</sup> association of the parameters `start` and `interval` is always ignored.

*handler* The `AsyncEventHandler`<sup>59</sup> that will be released when `fire` is invoked. If `null`, no handler is associated with this `Timer` and nothing will happen when this event fires unless a handler is subsequently associated with the timer using the `addHandler()` or `setHandler()` method.

#### Throws

*IllegalArgumentException* when `start` or `interval` is a `RelativeTime` instance with a value less than zero.

*IllegalAssignmentError* when this `PeriodicTimer` cannot hold references to `handler`, `clock` and `interval`.

*UnsupportedOperationException* when the timer functionality cannot be supported using the clock associated with `start` or the given `clock`.

Create a timer that executes its `fire` method periodically.

#### 10.4.2.4.2 Methods

---

### addHandler(AsyncEventHandler)

#### Signature

```
public
void addHandler(AsyncEventHandler handler)
```

#### Parameters

*handler* a new handler to add to the list of handlers already associated with `this`. When `handler` is already associated with the event, the call has no effect.

#### Throws

---

<sup>57</sup>Section 10.4.2.3

<sup>58</sup>Section 10.4.2.2

<sup>59</sup>Section 8.4.3.5

*IllegalArgumentException* when `handler` is `null` or the handler has `PeriodicParameters`<sup>60</sup> with a period that does not match the period of `this`.

*IllegalAssignmentError* when this `AsyncEvent` cannot hold a reference to `handler`.

Add a handler to the set of handlers associated with this event. It overrides the method in `AbstractAsyncEvent`<sup>61</sup> to allow the use of handlers with `PeriodicParameters`<sup>62</sup>, but these parameters must match the period of this timer, otherwise `IllegalArgumentException` is thrown.

Available since RTSJ version RTSJ 2.0

## setHandler(AsyncEventHandler)

### Signature

```
public
void setHandler(AsyncEventHandler handler)
throws IllegalArgumentException, IllegalAssignmentError
```

### Parameters

*handler* The instance of `AbstractAsyncEventHandler`<sup>63</sup> to be associated with `this`. When `handler` is `null`, no handler will be associated with `this`, i.e., behave effectively as if `setHandler(null)` invokes `removeHandler(AbstractAsyncEventHandler)` for each associated handler.

### Throws

*IllegalArgumentException* when `handler` has `PeriodicParameters`<sup>65</sup> with a period that does not match the period of `this`.

*IllegalAssignmentError* when this `AsyncEvent` cannot hold a reference to `handler`.

Associate a new handler with this event and remove all existing handlers. It overrides the method in `AbstractAsyncEvent`<sup>66</sup> to allow the use of handlers with `PeriodicParameters`<sup>67</sup>, but these parameters must match the period of this timer, otherwise `IllegalArgumentException` is thrown.

---

<sup>60</sup>Section 6.4.2.4

<sup>61</sup>Section 8.4.3.1

<sup>62</sup>Section 6.4.2.4

<sup>63</sup>Section 8.4.3.2

<sup>64</sup>Section ??

<sup>65</sup>Section 6.4.2.4

<sup>66</sup>Section 8.4.3.1

<sup>67</sup>Section 6.4.2.4

Available since RTSJ version RTSJ 2.0

## start(PhasingPolicy)

### Signature

```
public
void start(PhasingPolicy phasingPolicy)
throws LateStartException
```

### Parameters

*phasingPolicy*

### Throws

*LateStartException*

*IllegalArgumentException* when the start time of this timer is not an absolute time, or `phasingPolicy` is null.

Start the timer with the specified [PhasingPolicy](#)<sup>68</sup>.

Available since RTSJ version RTSJ 2.0

## start(boolean, PhasingPolicy)

### Signature

```
public
void start(boolean disabled, PhasingPolicy phasingPolicy)
throws LateStartException
```

### Parameters

*disabled*

*phasingPolicy*

### Throws

*LateStartException*

*IllegalArgumentException* when the start time of this timer is not an absolute time, or `phasingPolicy` is null.

Start the timer with the specified [PhasingPolicy](#)<sup>69</sup> and the specified disabled state.

Available since RTSJ version RTSJ 2.0

---

<sup>68</sup>Section [5.3.1.1](#)

<sup>69</sup>Section [5.3.1.1](#)

## getClock

### Signature

```
public
  javax.realtime.Clock getClock()
```

### Throws

*IllegalStateException* when `this` has been destroyed.

Each instance can only be associated with a single clock, which this method can obtain.

Available since RTSJ version RTSJ 1.0.1

## createReleaseParameters

### Signature

```
public
  javax.realtime.ReleaseParameters createReleaseParameters()
```

### Throws

*IllegalStateException* when this `Timer` has been *destroyed*.

### Returns

A new release parameters object with new objects containing copies of the values corresponding to this timer. If the interval is greater than zero, return a new instance of [PeriodicParameters](#)<sup>70</sup>. If the interval is zero return a new instance of [AperiodicParameters](#)<sup>71</sup>.

Create a release parameters object with new objects containing copies of the values corresponding to this timer. When the `PeriodicTimer` interval is greater than 0, create a [PeriodicParameters](#)<sup>72</sup> object with a start time and period that correspond to the next firing (or skipping) time, and interval, of this timer. When the interval is 0, create an [AperiodicParameters](#)<sup>73</sup> object, since in this case the timer behaves like a [OneShotTimer](#)<sup>74</sup>.

If this timer is active, then the start time is the next firing (or skipping) time returned as an [AbsoluteTime](#)<sup>75</sup>. Otherwise, the start time is the initial firing (or skipping) time, as set by the last call to [Timer.reschedulereschedule](#)<sup>76</sup>, or if there

---

<sup>70</sup>Section [6.4.2.4](#)

<sup>71</sup>Section [6.4.2.2](#)

<sup>72</sup>Section [6.4.2.4](#)

<sup>73</sup>Section [6.4.2.2](#)

<sup>74</sup>Section [10.4.2.3](#)

<sup>75</sup>Section [9.4.1.1](#)

<sup>76</sup>Section [10.4.2.6.4](#)

was no such call, by the constructor of this timer.

## createReleaseParameters(ReleaseParameters)

*Signature*

```
public
  javax.realtime.ReleaseParameters
  createReleaseParameters(ReleaseParameters dest)
```

Added at RTSJ 2.0

## getFireTime

*Signature*

```
public
  javax.realtime.AbsoluteTime getFireTime()
  throws ArithmeticException, IllegalStateException
```

*Throws*

*ArithmeticException* when the result does not fit in the normalized format.

*IllegalStateException* when this `Timer` has been *destroyed*, or if it is *not-active*.

*Returns*

The absolute time at which `this` is next expected to fire or to skip, in a newly allocated `AbsoluteTime`<sup>77</sup> object. If the timer has been created or re-scheduled (see `Timer.reschedule(HighResolutionTime time)`<sup>78</sup>) using an instance of `RelativeTime` for its time parameter then it will return the sum of the current time and the `RelativeTime` remaining time before the timer is expected to fire/skip. Within a periodic timer activation, the returned time is associated with the start clock before the first fire (or skip) time, and associated with the interval clock otherwise.

Get the time at which this `PeriodicTimer` is next expected to fire or to skip. If the `PeriodicTimer` is *disabled*, the returned time is that of the skipping of the firing. If the `PeriodicTimer` is *not-active* it throws `IllegalStateException`.

## getFireTime(AbsoluteTime)

*Signature*

```
public
  javax.realtime.AbsoluteTime getFireTime(AbsoluteTime dest)
```

*Parameters*

---

<sup>77</sup>Section 9.4.1.1

<sup>78</sup>Section 10.4.2.6.4

*dest* The instance of `AbsoluteTime`<sup>79</sup> which will be updated in place and returned. The clock association of the `dest` parameter is ignored. When `dest` is `null` a new object is allocated for the result.

*Throws*

*ArithmeticException* when the result does not fit in the normalized format.

*IllegalStateException* when this `Timer` has been *destroyed*, or if it is *not-active*.

*Returns*

The instance of `AbsoluteTime`<sup>80</sup> passed as parameter, with time values representing the absolute time at which `this` is expected to fire or to skip. If the `dest` parameter is `null` the result is returned in a newly allocated object. If the timer has been created or re-scheduled (see `Timer.reschedule(HighResolutionTime time)`<sup>81</sup>) using an instance of `RelativeTime` for its time parameter then it will return the sum of the current time and the `RelativeTime` remaining time before the timer is expected to fire/skip. Within a periodic timer activation, the returned time is associated with the start clock before the first fire (or skip) time, and associated with the interval clock otherwise.

Get the time at which this `PeriodicTimer` is next expected to fire or to skip. If the `PeriodicTimer` is *disabled*, the returned time is that of the skipping of the firing. If the `PeriodicTimer` is *not-active* it throws `IllegalStateException`.

Available since RTSJ version RTSJ 1.0.1

## getInterval

*Signature*

```
public
    javax.realtime.RelativeTime getInterval()
```

*Throws*

*IllegalStateException* when this `Timer` has been *destroyed*.

*Returns*

The `RelativeTime` instance assigned as this periodic timer's interval by the constructor or `setInterval(RelativeTime)`<sup>82</sup>.

Gets the interval of `this` `Timer`.

## setInterval(RelativeTime)

---

<sup>79</sup>Section 9.4.1.1

<sup>80</sup>Section 9.4.1.1

<sup>81</sup>Section 10.4.2.6.4

<sup>82</sup>Section 10.4.2.4.2

*Signature*

```
public
void setInterval(RelativeTime interval)
```

*Parameters*

*interval* A [RelativeTime](#)<sup>83</sup> object which is the interval used to reset this Timer. A null interval is interpreted as `RelativeTime(0,0)`.

The `interval` does not affect the first firing (or skipping) of a timer's activation. At each firing (or skipping), the next fire (or skip) time of an *active* periodic timer is established based on the interval currently in use. Resetting the `interval` of an *active* periodic timer only effects future fire (or skip) times after the next.

*Throws*

*IllegalArgumentException* when `interval` is a `RelativeTime` instance with a value less than zero.

*IllegalAssignmentError* when this `PeriodicTimer` cannot hold a reference to `interval`.

*IllegalStateException* when this `Timer` has been *destroyed*.

Reset the interval value of `this`.

## getTimeOfNextPeriod(AbsoluteTime)

*Signature*

```
javax.realtime.AbsoluteTime getTimeOfNextPeriod(AbsoluteTime
time)
```

### 10.4.2.5 TimeDispatcher

---

**Inheritance**

```
java.lang.Object
  javax.realtime.ActiveEventDispatcher
    javax.realtime.TimeDispatcher
```

#### 10.4.2.5.1 Constructors

---

---

<sup>83</sup>Section [9.4.1.3](#)

## TimeDispatcher(SchedulingParameters)

### *Signature*

```
public
    TimeDispatcher(SchedulingParameters schedule)
```

### *Parameters*

*schedule* give the parameters for scheduling this dispatcher

Create a new dispatcher, whose dispatching thread runs with the given scheduling parameters.

### 10.4.2.5.2 Methods

---

## getDefaultTimeDispatcher

### *Signature*

```
public static
    javax.realtime.TimeDispatcher getDefaultTimeDispatcher()
```

### *Returns*

the default event manager.

This provides a means of obtaining the system provided event manager so that new events can be added to it.

## dispatch(Timable)

### *Signature*

```
protected abstract
    void dispatch(Timable target)
```

### *Parameters*

*target* to dispatch

Actually dispatch *target*. This can be overridden in a subclass to provide for more sophisticated dispatching.

## register(Timable)

### *Signature*

```
final
```



```
void register(Timable target)
```

*Parameters*

*target* to register

This method is not part of the official API, but is used to illustrate how user defined clocks may be implemented. Register an `Timable`<sup>84</sup> with this dispatcher. (This is a really naive implementation.)

## unregister(Timable)

*Signature*

```
final
void unregister(Timable target)
```

*Parameters*

*target* to unregister

This method is not part of the official API, but is used to illustrate how user defined clocks may be implemented. Deregister an `EventHappening` from this dispatcher. (This is a really naive implementation.)

## trigger(Alarm)

*Signature*

```
final
void trigger(Alarm target)
```

*Parameters*

*target* the event that needs to be dispatched

This method is not part of the official API, but is used to illustrate how user defined clocks may be implemented. Release a thread to fire `target` and then trigger the next awaiting blockable.

### 10.4.2.6 Timer

---

#### Inheritance

```
java.lang.Object
  javax.realtime.AbstractAsyncEvent
    javax.realtime.AsyncEvent
      javax.realtime.Timer
```

*Interfaces*

```
Timable
```

---

<sup>84</sup>Section 10.4.1.1

### ActiveEvent

A *timer* is a timed event that measures time according to a given `Clock`<sup>85</sup>. This class defines basic functionality available to all timers. Applications will generally use either `PeriodicTimer`<sup>86</sup> to create an event that is fired repeatedly at regular intervals, or `OneShotTimer`<sup>87</sup> for an event that just fires once at a specific time. A timer is always associated with at least one `Clock`<sup>88</sup>, which provides the basic facilities of something that ticks along following some time line (realtime, CPU-time, user-time, simulation-time, etc.). All timers are created *disabled* and do nothing until `start()` is called.

#### 10.4.2.6.1 Pseudo-Code Representation of State Transitions for Timer

An implementation shall behave effectively as if it implemented the following pseudo-code. Only absolute and relative time behaviors are shown as rational time has been deprecated.

NOTE: The pseudo-code does not take into account any issue of synchronization, it just shows the functionality, and the intended behavior is obtained with groups of and'ed statements interpreted as atomic. This is relevant, for example, in cases where the *firing* of an `AsyncEventHandler`<sup>89</sup> is part of the statements preceding a state transition. While the *firing* causes the release of the handler before the state transition, the execution of the handler does not take place until after the state transition has completed.

The pseudo-code is a model, it should be interpreted as running continuously, with instructions that take no time.

```
absolute construction state is {not-active, disabled, absolute}
with nextTargetTime = absoluteTime
last_rescheduled_with_AbsoluteTime = TRUE
[(if PeriodicTimer) period = interval]
```

```
relative construction state is {not-active, disabled, relative}
with nextDurationTime = relativeTime
last_rescheduled_with_AbsoluteTime = FALSE
[(if PeriodicTimer) period = interval]
```

```
{not-active, disabled, absolute}
[(if PeriodicTimer)
```

---

<sup>85</sup>Section 10.4.2.2

<sup>86</sup>Section 10.4.2.4

<sup>87</sup>Section 10.4.2.3

<sup>88</sup>Section 10.4.2.2

<sup>89</sup>Section 8.4.3.5

```

    set released_or_skipped_in_current_activation = FALSE]
enable -> no state change, do nothing
disable -> no state change, do nothing
stop -> no state change, return FALSE
start ->
    [if last_rescheduled_with_AbsoluteTime
    then
        [set targetTime = nextTargetTime
        [if targetTime < currentTime
        then set targetTime = currentTime]
        then go to state {active, enabled, absolute}]
    else
        [set countingTime = 0
        and set durationTime = nextDurationTime
        then go to state {active, enabled, relative}]
isRunning -> return FALSE
reschedule ->
    [if using an instance of AbsoluteTime
    then
        [reset the nextTargetTime to absoluteTime arg
        and set last_rescheduled_with_AbsoluteTime = TRUE
        and no state change]
    else
        [reset the nextDurationTime to relativeTime arg
        and set last_rescheduled_with_AbsoluteTime = FALSE
        and go to state {not-active, disabled, relative}]
getFireTime -> throws IllegalStateException
destroy -> go to state {destroyed}
startDisabled ->
    [if last_rescheduled_with_AbsoluteTime
    then
        [set targetTime = nextTargetTime
        [if targetTime < currentTime
        then set targetTime = currentTime]
        then go to state {active, disabled, absolute}]
    else
        [set countingTime = 0
        and set durationTime = nextDurationTime
        then go to state {active, disabled, relative}]

{not-active, disabled, relative}

```

```

[(if PeriodicTimer)
  set released_or_skipped_in_current_activation = FALSE]
enable -> no state change, do nothing
disable -> no state change, do nothing
stop -> no state change, return FALSE
start ->
  [if last_rescheduled_with_AbsoluteTime
    then
      [set targetTime = nextTargetTime
        [if targetTime < currentTime
          then set targetTime = currentTime]
        then go to state {active, enabled, absolute}]
    else
      [set countingTime = 0
        and set durationTime = nextDurationTime
        then go to state {active, enabled, relative}]
  ]
isRunning -> return FALSE
reschedule ->
  [if using an instance of AbsoluteTime
    then
      [reset the nextTargetTime to absoluteTime arg
        and set last_rescheduled_with_AbsoluteTime = TRUE
        and go to state {not-active, disabled, absolute}]
    else
      [reset the nextDurationTime to relativeTime arg
        and set last_rescheduled_with_AbsoluteTime = FALSE
        and no state change]]
getFireTime -> throws IllegalStateException
destroy -> go to state {destroyed}
startDisabled ->
  [if last_rescheduled_with_AbsoluteTime
    then
      [set targetTime = nextTargetTime
        [if targetTime < currentTime
          then set targetTime = currentTime]
        then go to state {active, disabled, absolute}]
    else
      [set countingTime = 0
        and set durationTime = nextDurationTime
        then go to state {active, disabled, relative}]
  ]

```

```

{active, enabled, absolute}
  [if currentTime >= targetTime
  then
    [if PeriodicTimer
    then
      [if period > 0
      then
        [fire
        and set released_or_skipped_in_current_activation = TRUE
        and self reschedule
          via targetTime = (targetTime + period)
        and re-enter current state]
      else
        [fire
        and go to state {not-active, disabled, absolute}]]
    else
      [it is a OneShotTimer so
      fire
      and go to state {not-active, disabled, absolute}]]]
enable -> no state change, do nothing
disable -> go to state {active, disabled, absolute}
stop -> [go to state {not-active, disabled, absolute}
and return TRUE]
start -> throws IllegalStateException
isRunning -> return TRUE
reschedule ->
  [if NOT released_or_skipped_in_current_activation
  then
    [if using an instance of AbsoluteTime
    then
      [reset the targetTime to absoluteTime arg
      and re-enter current state]
    else
      [reset the durationTime to relativeTime arg
      and set countingTime = 0
      and go to state {active, enabled, relative}]]
  else
    [if using an instance of AbsoluteTime
    then
      [reset the nextTargetTime to absoluteTime arg
      and set last_rescheduled_with_AbsoluteTime = TRUE

```

```

        and no state change]
    else
        [reset the nextDurationTime to relativeTime arg
         and set last_rescheduled_with_AbsoluteTime = FALSE
         and no state change]]
    getFireTime -> return targetTime
    destroy -> go to state {destroyed}
    startDisabled -> throws IllegalStateException

{active, enabled, relative}
    [if countingTime >= durationTime
     then
         [if PeriodicTimer
          then
              [if period > 0
               then
                   [fire
                    and set released_or_skipped_in_current_activation = TRUE
                    and self reschedule
                     via durationTime = (durationTime + period)
                    and re-enter current state]
                else
                    [fire
                     and go to state {not-active, disabled, relative}]]
            else
                [it is a OneShotTimer so
                 fire
                 and go to state {not-active, disabled, relative}]]]
    enable -> no state change, do nothing
    disable -> go to state {active, disabled, relative}
    stop -> [go to state {not-active, disabled, relative}
            and return TRUE]
    start -> throws IllegalStateException
    isRunning -> return TRUE
    reschedule ->
        [if NOT released_or_skipped_in_current_activation
         then
             [if using an instance of AbsoluteTime
              then
                  [reset the targetTime to absoluteTime arg
                   and go to state {active, enabled, absolute}]]

```

```

    else
        [reset the durationTime to relativeTime arg
         and set countingTime = 0
         and re-enter current state]]
else
    [if using an instance of AbsoluteTime
     then
        [reset the nextTargetTime to absoluteTime arg
         and set last_rescheduled_with_AbsoluteTime = TRUE
         and no state change]
     else
        [reset the nextDurationTime to relativeTime arg
         and set last_rescheduled_with_AbsoluteTime = FALSE
         and no state change]]]
getFireTime ->
    return (currentTime + durationTime - countingTime)
destroy -> go to state {destroyed}
startDisabled -> throws IllegalStateException

{active, disabled, absolute}
    [if currentTime >= targetTime
     then
        [if PeriodicTimer
         then
            [if period > 0
             then
                [skip
                 and set released_or_skipped_in_current_activation = TRUE
                 and self reschedule
                 via targetTime = (targetTime + period)
                 and re-enter current state]
             else
                [skip
                 and go to state {not-active, disabled, absolute}]]]
         else
            [skip
             and go to state {not-active, disabled, absolute}]]]
    else
        [it is a OneShotTimer so
         skip
         and go to state {not-active, disabled, absolute}]]]
enable -> go to state {active, enabled, absolute}
disable -> no state change, do nothing
stop -> [go to state {not-active, disabled, absolute}]

```

```

        and return TRUE]
start -> throws IllegalStateException
isRunning -> return FALSE
reschedule ->
    [if NOT released_or_skipped_in_current_activation
    then
        [if using an instance of AbsoluteTime
        then
            [reset the targetTime to absoluteTime arg
            and re-enter current state]
        else
            [reset the durationTime to relativeTime arg
            and set countingTime = 0
            and go to state {active, disabled, relative}]]
    else
        [if using an instance of AbsoluteTime
        then
            [reset the nextTargetTime to absoluteTime arg
            and set last_rescheduled_with_AbsoluteTime = TRUE
            and no state change]
        else
            [reset the nextDurationTime to relativeTime arg
            and set last_rescheduled_with_AbsoluteTime = FALSE
            and no state change]]]
getFireTime -> return targetTime
destroy -> go to state {destroyed}
startDisabled -> throws IllegalStateException

{active, disabled, relative}
[if countingTime >= durationTime
then
    [if PeriodicTimer
    then
        [if period > 0
        then
            [skip
            and set released_or_skipped_in_current_activation = TRUE
            and self reschedule
            via durationTime = (durationTime + period)
            and re-enter current state]
        else

```



```

        [skip
         and go to state {not-active, disabled, relative}]]
else
  [it is a OneShotTimer so
   skip
   and go to state {not-active, disabled, relative}]]]
enable -> go to state {active, enabled, relative}
disable -> no state change, do nothing
stop -> [go to state {not-active, disabled, relative}
        and return TRUE]
start -> throws IllegalStateException
isRunning -> return FALSE
reschedule ->
  [if NOT released_or_skipped_in_current_activation
   then
    [if using an instance of AbsoluteTime
     then
      [reset the targetTime to absoluteTime arg
       and go to state {active, disabled, absolute}]
     else
      [reset the durationTime to relativeTime arg
       and set countingTime = 0
       and re-enter current state]]
   else
    [if using an instance of AbsoluteTime
     then
      [reset the nextTargetTime to absoluteTime arg
       and set last_rescheduled_with_AbsoluteTime = TRUE
       and no state change]
     else
      [reset the nextDurationTime to relativeTime arg
       and set last_rescheduled_with_AbsoluteTime = FALSE
       and no state change]]]
getFireTime ->
  return (currentTime + durationTime - countingTime)
destroy -> go to state {destroyed}
startDisabled -> throws IllegalStateException

{destroyed}
enable — disable — stop — start — isRunning
— reschedule — getFireTime — destroy

```

— `startDisabled` -> **throws** `IllegalStateException`

The following two methods, without loss of generality and to avoid clutter, have been omitted from the above Pseudo-code.

Every state but `{destroyed}` has:

`[(if PeriodicTimer) setInterval -> reset period = interval]`

`[(if PeriodicTimer) getInterval -> return period]`

The state `{destroyed}` has:

`[(if PeriodicTimer) setInterval -> throws IllegalStateException]`

`[(if PeriodicTimer) getInterval -> throws IllegalStateException]`

#### 10.4.2.6.2 Compact Graphic Representation of State Transitions for Timer

The following compact graphic representation, while not as detailed, complements the State Transitions for Timer pseudo-code:

(see image at `doc-files/timers_state_machine.gif`)

#### 10.4.2.6.3 Constructors

---

### **Timer(HighResolutionTime, Clock, AsyncEventHandler, TimeDispatcher)**

*Signature*

`Timer(HighResolutionTime time, Clock clock, AsyncEventHandler handler,`

`throws IllegalArgumentException, UnsupportedOperationException,`  
`IllegalAssignmentError`

*Parameters*

*time* The time used to determine when to fire the event. A time value of `null` is equivalent to a `RelativeTime` of 0, and in this case the `Timer` fires immediately upon a call to `start()`.

*clock* The clock on which to base this timer, overriding the clock associated with the parameter `time`. If `null`, the system `Realtime` clock is used. The clock associated with the parameter `time` is always ignored.

*handler* The default `handler` to use for this event. If `null`, no `handler` is associated with the timer and nothing will happen when this event fires unless a `handler` is subsequently associated with the timer using the `addHandler()` or `setHandler()` method.

*Throws*

*IllegalArgumentException* when `time` is a negative `RelativeTime` value.

*UnsupportedOperationException* when the timer functionality cannot be supported using the given `clock`.

*IllegalAssignmentError* when this `Timer` cannot hold references to `handler` and `clock`.

Create a timer that fires according to the given `time`, based on the `Clock`<sup>90</sup> `clock` and is handled by the specified `AsyncEventHandler`<sup>91</sup> `handler`.

#### 10.4.2.6.4 Methods

---

### getClock

*Signature*

```
public
  javax.realtime.Clock getClock()
  throws IllegalStateException
```

*Throws*

*IllegalStateException* when this `Timer` has been *destroyed*.

*Returns*

The instance of `Clock`<sup>92</sup> associated with this `Timer`.

Return the instance of `Clock`<sup>93</sup> on which this timer is based.

### getStartTime

*Signature*

```
public
```

---

<sup>90</sup>Section [10.4.2.2](#)

<sup>91</sup>Section [8.4.3.5](#)

<sup>92</sup>Section [10.4.2.2](#)

<sup>93</sup>Section [10.4.2.2](#)

```
javax.realtime.HighResolutionTime getStartTime()
```

*Returns*

a reference to the time (or start) parameter used when constructing this timer.  
Since RTSJ 2.0

Get the start time of this timer. Note that the start time uses copy semantics, so changes made to the value returned by this method do not effect the start time of this timer.

**getEffectiveStartTime***Signature*

```
public
javax.realtime.AbsoluteTime getEffectiveStartTime()
throws IllegalStateException, ArithmeticException
```

*Throws*

*IllegalStateException* if the timer is not active or has been destroyed.  
*ArithmeticException* if the result does not fit in the normalized format.

*Returns*

the time **this** actually started.

Return a newly-created time representing the time the timer actually started, or if the timer has been rescheduled, the effective start time after the reschedule.

**Available since RTSJ version RTSJ 2.0**

**getEffectiveStartTime(AbsoluteTime)***Signature*

```
public
javax.realtime.AbsoluteTime getEffectiveStartTime(AbsoluteTime
dest)
throws IllegalStateException, ArithmeticException
```

*Parameters*

*dest* a place to store the time **this** actually started.

*Throws*

*IllegalStateException* if the timer is not active or has been destroyed.  
*ArithmeticException* if the result does not fit in the normalized format.

*Returns*

The time the timer actually started, or if it has been rescheduled, the effective start time after the reschedule.

Update `dest` to represent the time the timer actually started, or if the timer has been rescheduled, the effective start time after the reschedule. When `dest` is `null`, behave as if `getEffectiveStartTime()`<sup>94</sup> had been called.

Available since RTSJ version RTSJ 2.0

## getLastReleaseTime

### Signature

```
public final
    javax.realtime.AbsoluteTime getLastReleaseTime()
```

### Throws

*IllegalStateException* when this timer has not been released since it was last started.

### Returns

a reference to a newly-created `AbsoluteTime`<sup>95</sup> object representing this timer's last release time. If the timer has not been released since it was last started, throw an exception.

Get the last release time of this timer.

Available since RTSJ version RTSJ 2.0

## getLastReleaseTime(AbsoluteTime)

### Signature

```
public
    javax.realtime.AbsoluteTime getLastReleaseTime(AbsoluteTime
    dest)
```

### Returns

If `dest` is `null`, return a reference to a newly-created `AbsoluteTime`<sup>96</sup> object representing this timer's last release time. If `dest` is non-`null`, set `dest` to this timer's last release time. If the timer has not been released, return `null`. Since RTSJ 2.0

---

<sup>94</sup>Section 10.4.2.6.4

<sup>95</sup>Section 9.4.1.1

<sup>96</sup>Section 9.4.1.1

## getFireTime

### Signature

```
public
  javax.realtime.AbsoluteTime getFireTime()
  throws IllegalStateException, ArithmeticException
```

### Throws

*ArithmeticException* when the result does not fit in the normalized format.

*IllegalStateException* when this `Timer` has been *destroyed*, or if it is *not-active*.

### Returns

The absolute time at which `this` is expected to fire (release handlers or skip), in a newly allocated `AbsoluteTime`<sup>97</sup> object. If the timer has been created or re-scheduled (see `Timer.reschedule(HighResolutionTime)`<sup>98</sup>) using an instance of `RelativeTime` for its time parameter then it will return the sum of the current time and the `RelativeTime` remaining time before the timer is expected to fire/skip. The clock association of the returned time is the clock on which `this` timer is based.

Get the time at which this `Timer` is expected to fire. If the `Timer` is *disabled*, the returned time is that of the skipping of the firing. If the `Timer` is *not-active* it throws `IllegalStateException`.

## getFireTime(AbsoluteTime)

### Signature

```
public
  javax.realtime.AbsoluteTime getFireTime(AbsoluteTime dest)
  throws IllegalStateException, ArithmeticException
```

### Parameters

*dest* The instance of `AbsoluteTime`<sup>99</sup> which will be updated in place and returned. The clock association of the `dest` parameter is ignored. When `dest` is `null` a new object is allocated for the result.

### Throws

*ArithmeticException* when the result does not fit in the normalized format.

*IllegalStateException* when this `Timer` has been *destroyed*, or if it is *not-active*.

### Returns

The instance of `AbsoluteTime`<sup>100</sup> passed as parameter, with time values representing the absolute time at which `this` is expected to fire (release its handlers

---

<sup>97</sup>Section 9.4.1.1

<sup>98</sup>Section 10.4.2.6.4

<sup>99</sup>Section 9.4.1.1

<sup>100</sup>Section 9.4.1.1

or skip). If the `dest` parameter is `null` the result is returned in a newly allocated object. If the timer has been created or re-scheduled (see `Timer.reschedule(HighResolutionTime, RelativeTime)` using an instance of `RelativeTime` for its time parameter then it will return the sum of the current time and the `RelativeTime` remaining time before the timer is expected to fire. The clock association of the returned time is the clock on which `this` timer is based.

Get the time at which this `Timer` is expected to fire. If the `Timer` is *disabled*, the returned time is that of the skipping of the firing. If the `Timer` is *not-active* it throws `IllegalStateException`.

Available since RTSJ version RTSJ 1.0.1

## getDispatcher

*Signature*

```
public
    javax.realtime.TimeDispatcher getDispatcher()
```

## isActive

*Signature*

```
public
    boolean isActive()
```

*Returns*

`true` when active, `false` otherwise.

Determine the activation state of this happening, i.e., it has been started.

## isEnabled

*Signature*

```
public
    boolean isEnabled()
```

*Returns*

`true` when releasing, `false` when skipping.

Determine the firing state (releasing or skipping) of this happening, i.e., it is enabled.

---

<sup>101</sup>Section [10.4.2.6.4](#)

## handledBy(AsyncEventHandler)

### Signature

```
public
boolean handledBy(AsyncEventHandler handler)
throws IllegalStateException
```

### Parameters

*handler* to add to the Timer

### Throws

*IllegalStateException* when this Timer has been *destroyed*.

### Returns

true when handler is associated with this, otherwise false.

Available since RTSJ version RTSJ 1.0.1

## createReleaseParameters

### Signature

```
public
javax.realtime.ReleaseParameters createReleaseParameters()
throws IllegalStateException
```

### Throws

*IllegalStateException* when this Timer has been *destroyed*.

### Returns

A newly created [ReleaseParameters](#)<sup>102</sup> object.

Create a [ReleaseParameters](#)<sup>103</sup> object appropriate to the timing characteristics of this event. The default is the most pessimistic: [AperiodicParameters](#)<sup>104</sup>. This is typically called by code that is setting up a handler for this event that will fill in the parts of the release parameters for which it has values, e.g. cost.

## addHandler(AsyncEventHandler)

### Signature

```
public
void addHandler(AsyncEventHandler handler)
throws IllegalStateException, IllegalArgumentException
```

### Parameters

---

<sup>102</sup>Section [6.4.2.8](#)

<sup>103</sup>Section [6.4.2.8](#)

<sup>104</sup>Section [6.4.2.2](#)



*handler* to add to the Timer

*Throws*

*IllegalStateException* when this Timer has been *destroyed*.

*IllegalAssignmentError* @inheritDoc

Add a handler to release upon fire.

**Available since RTSJ version RTSJ 1.0.1**

## **setHandler(AsyncEventHandler)**

*Signature*

```
public
void setHandler(AsyncEventHandler handler)
throws IllegalStateException, IllegalAssignmentError
```

*Parameters*

*handler* to add to the Timer

*Throws*

*IllegalStateException* when this Timer has been *destroyed*.

*IllegalAssignmentError* @inheritDoc

Set a handler and remove all others.

**Available since RTSJ version RTSJ 1.0.1**

## **removeHandler(AsyncEventHandler)**

*Signature*

```
public
void removeHandler(AsyncEventHandler handler)
throws IllegalStateException
```

*Parameters*

*handler* to add to the Timer

*Throws*

*IllegalStateException* when this Timer has been *destroyed*.

Remove the given handler.

**Available since RTSJ version RTSJ 1.0.1**

## enable

### Signature

```
public
void enable()
throws IllegalStateException
```

### Throws

*IllegalStateException* when this `Timer` has been *destroyed*.

Re-enable this timer after it has been *disabled*. (See `Timer.disable()`<sup>105</sup>.) If the `Timer` is already *enabled*, this method does nothing. If the `Timer` is *not-active*, this method does nothing.

## disable

### Signature

```
public
void disable()
throws IllegalStateException
```

### Throws

*IllegalStateException* when this `Timer` has been *destroyed*.

Disable this timer, preventing it from firing. It may subsequently be re-*enabled*. If the timer is *disabled* when its fire time occurs then it will not release its handlers. However, a *disabled* timer created using an instance of `RelativeTime` for its time parameter continues to count while it is *disabled*, and no changes take place in a *disabled* timer created using an instance of `AbsoluteTime`, in both cases the potential firing is simply masked, or skipped. If the timer is subsequently re-*enabled* before its fire time and it is *enabled* when its fire time occurs, then it will fire. It is important to note that this method does not delay the time before a possible firing. For example, if the timer is set to fire at time 42 and the `disable()` is called at time 30 and `enable()` is called at time 40 the firing will occur at time 42 (not time 52). These semantics imply also that firings are not queued. Using the above example, if `enable` was called at time 43 no firing will occur, since at time 42 `this` was *disabled*. If the `Timer` is already *disabled*, whether it is *active* or *inactive*, this method does nothing.

## start

### Signature

```
public
```

---

<sup>105</sup>Section [10.4.2.6.4](#)

```
void start()  
throws IllegalStateException
```

*Throws*

*IllegalStateException* when this `Timer` has been *destroyed*, or if this timer is already *active*.

Start this timer. A timer starts measuring time from when it is started; this method makes the timer *active* and *enabled*.

## start(boolean)

*Signature*

```
public  
void start(boolean disabled)  
throws IllegalStateException
```

*Parameters*

*disabled* If `true`, the timer will be *active* but *disabled* after it is started. If `false` this method behaves like the `start()` method.

*Throws*

*IllegalStateException* when this `Timer` has been *destroyed*, or if this timer is already *active*.

Start this timer. A timer starts measuring time from when it is started. If `disabled` is `true` start the timer making it *active* in a *disabled* state. If `disabled` is `false` this method behaves like the `start()` method.

**Available since RTSJ version RTSJ 1.0.1**

## stop

*Signature*

```
public  
boolean stop()  
throws IllegalStateException
```

*Throws*

*IllegalStateException* when this `Timer` has been *destroyed*.

*Returns*

`true` if `this` was *enabled* and `false` otherwise.

Stops a timer when it is *active* and changes its state to *inactive* and *disabled*.

## reschedule(HighResolutionTime)

### Signature

```
public
void reschedule(HighResolutionTime time)
throws IllegalStateException, IllegalArgumentException
```

### Parameters

*time* The time to reschedule for this event firing. If `time` is `null`, the previous time is still the time used for the `Timer` firing. The clock associated with the parameter `time` is always ignored.

### Throws

*IllegalArgumentException* when `time` is a negative `RelativeTime` value.  
*IllegalStateException* when this `Timer` has been *destroyed*.

Change the scheduled time for this event. This method can take either an `AbsoluteTime` or a `RelativeTime` for its argument, and the `Timer` will behave as if created using that type for its `time` parameter. The rescheduling will take place between the invocation and the return of the method.

NOTE: While the scheduled time is changed as described above, the rescheduling itself is applied only on the first firing (or on the first skipping if *disabled*) of a timer's activation. If `reschedule` is invoked after the current activation timer's firing, then the rescheduled `time` will be effective only upon the next `start` or `startDisabled` command (which may need to be preceded by a `stop` command).

If `reschedule` is invoked with a `RelativeTime` `time` on an *active* timer before its first firing/skipping, then the rescheduled firing/skipping `time` is relative to the time of invocation.

## fire

### Signature

```
public
void fire()
```

Should not be called except for emulation. The `fire` method is reserved for the use of the timer and is called as a result of calling `trigger()`<sup>106</sup>. It releases all handlers when `this` is enabled and skips, i.e., does nothing, otherwise. As with all other `AbstractAsyncEvent`<sup>107</sup>Its behavior is affected by the enable state, but not the active state.

---

<sup>106</sup>Section 10.4.2.6.4

<sup>107</sup>Section 8.4.3.1

**trigger***Signature*

```
public
void trigger()
```

Cause this timer to be fired in the context of its `TimeDispatcher`<sup>108</sup>.

See Section `Timable.trigger()`

Available since RTSJ version RTSJ 2.0

**destroy***Signature*

```
public
void destroy()
throws IllegalStateException
```

*Throws*

*IllegalStateException* when this `Timer` has been *destroyed*.

Stop `this` from counting or comparing if *active*, remove from it all the associated handlers if any, and release as many of its resources as possible back to the system. Every method invoked on a `Timer` that has been *destroyed* will throw `IllegalStateException`.

## 10.5 Rationale

Clocks differ because of monotonicity, synchronization, jitter, stability, accuracy, and resolution. There are many possible subclasses of clocks: realtime clocks, user time clocks, simulation time clocks, wall clocks.

The idea of using multiple clocks may at first seem unusual but it is allowed to accommodate differences and as a possible resource allocation strategy. Consider a realtime system where the natural events of the system have different tolerances for jitter. Assume the system functions properly if event *A* is triggered within plus or minus 100 seconds of the actual time it should occur but event *B* must be triggered within 100 microseconds of its actual time. Further assume, without loss of generality, that events *A* and *B* are periodic. An application could then create two instances of `PeriodicTimer` based on two clocks. The timer for event *B* should be based on a `Clock` which checks its queue at least every 100 microseconds but the

---

<sup>108</sup>Section [10.4.2.5](#)

timer for event *A* could be based on a `Clock` that checked its queue only every 100 seconds. This use of two clocks reduces the queue size of the accurate clock and thus queue management overhead is reduced.

The importance of the use of one-shot timers for time-out behavior and the vagaries in the execution of code prior to starting the timer for short time-outs dictate that the triggering of the timer should be guaranteed. The problem is exacerbated for periodic timers where the importance of the periodic triggering outweighs the precision of the start time. In such cases, it is also convenient to allow, for example, a relative time of zero to be used as the start time.

Clock resolution is a complicated topic, and clock implementations may have differing resolution for different purposes. For example, the precision of time returned by a hardware clock device when queried may be greater than the precision at which that device can supply interrupts. (Consider, for example, a high precision off-chip realtime clock device connected via a shared serial bus.) A different device may provide pulse-per-second interrupts of very high precision, but be unable to interrupt on any other interval. The RTSJ `Clock` class provides only a single representation of precision, via `Clock::getResolution()`. Clocks should behave as if their read (`Clock::getTime()`) and tick (`Clock::setAlarm()`) precision are the same, and the same as returned by `Clock::getResolution()`. Clock implementations should truncate the results of `Clock::getTime()` to the precision of `Clock::getResolution()`, although this is not required by the RTSJ.

If a `Clock` that supports alarming has a higher read precision than its tick precision, and retrieving a high-precision time stamp is desirable, then it should be implemented as two `Clock` objects. The first would return `true` for `Clock::drivesEvents()`, and return the effective resolution of `Clock::setAlarm()` for `Clock::getResolution()`. The second would not support alarm events, and return a value representing the clock's actual precision for `Clock::getResolution()`. Users should not assume that time values from the two clocks are directly comparable.

# Chapter 11

## Memory Management

(Updated by James 5 April, 2013; Andy: 21 November; Ethan: 12 December; James: 3 June, 2014)

### 11.1 Overview

This section defines classes directly related to memory and memory management. These classes provide a more generalized means of memory management than available in a conventional Java VM. In traditional Java, all of the memory needed for the allocation of an object is taken from a garbage-collected heap. The RTSJ generalized the concept of a heap to that of a *memory area*. A memory area consists of two components: a Java object that manages the memory area and the *backing memory*, which is the actual region of memory from which objects are allocated. Every thread and schedulable has a *current allocation context*. This context is the memory area which is managing the backing memory that will be used when the thread/schedulable requests memory allocation using the Java “new” operator.

There are three types of memory area, distinguished by object lifetime semantics, defined by the RTSJ:

- Heap memory—the Java heap. Unreferenced objects are collected by a garbage collector. Individual schedulables can specify their rate of allocation of objects on the heap.
- Immortal memory—an area defined by the JVM in which allocated objects might never be collected. Access to the memory area must be independent of garbage collection activity. Individual schedulables can specify the maximum amount of memory they need in immortal memory.
- Scoped memory—multiple areas that can be created by the application; objects are collected in scoped memory when there are no schedulables currently active in that area. These allow objects with well-defined lifetimes to be cre-

ated and efficiently collected in an easily identified group.

Given that objects can now be created in multiple memory areas, it is necessary to ensure that an object cannot reference another object that might be collected at an earlier time. For example, an object in immortal memory (that is never collected) must not be allowed to reference an object in scoped memory. This is because the scoped memory object will be collected when there is no schedulable active in its associated backing memory, rendering the immortal object's reference to the scoped memory object invalid. For this reason, the RTSJ defines some memory assignment rules that are checked by the JVM on every object assignment. If the program violates the assignment rules, an exception is thrown.

### 11.1.1 Physical Memory

In embedded systems it is often the case that multiple directly addressable memory types are available to the application. The JVM implementer may require the VM to be portable between systems within the same processor family. The VM, therefore, may have detailed knowledge of the underlying memory architecture. It is primarily concerned with the standard Random-Access Memory (RAM) provided to it by the host operating system. The RTSJ, therefore, provides a framework with which the embedded systems integrator can define memory characteristics and specify ranges of physical addresses that support those memory characteristics. Physical memory regions can be allocated as either immortal or scoped memory areas, as follows:

- Physical immortal memory—multiple immortal memory areas that can be created by the application such that their associated backing memory areas have specified physical and virtual memory characteristics. For example, the application could specify that the physical characteristics of the backing store should be Static RAM (SRAM) and that it should be mapped by the JVM into virtual memory that is never paged out to disk.
- Physical scoped memory—multiple scoped memory areas that can be created by the application such that their associated backing store has specified physical and virtual memory characteristics.

This physical memory model is based on two constraints:

- Java objects can only be allocated in a memory area if the physical backing memory supports the Java Memory Model (JMM) without the JVM having to perform any operation additional to those that it performs when accessing the main RAM for the host machine. No extra compiler or JVM interactions shall be required. Hence memory regions (such as EEPROM) that potentially require special hardware instructions to perform write operations cannot be used as the backing store for physical memory areas. Similarly, non-volatile memory cannot be used, as object lifetimes in such an area may be longer than the lifetime of the VM. Although memory having such characteristics



incompatible with the JMM are prohibited from being used as backing stores for object allocation, they can contain objects of primitive Java types and be accessed via the RTSJ Raw Memory facilities (see Section 12.3.1).

- Any API must delegate detailed knowledge of the memory architecture to the programmer/integrator of the specific embedded system to be implemented. The model assumes that the programmer is aware of the memory map, either through some native operating system interface<sup>1</sup> or from some property file read at program initialization time.

The RTSJ defines a *physical memory manager*, which maintains a mapping between physical memory characteristics and the associated physical addresses of memory that support those characteristics. The physical memory manager has no knowledge of the meaning of the physical characteristics. It only provides a look-up service and keeps track of which physical memory has been allocated to a physical memory area's backing store by the application. The physical memory manager does, however, have detailed knowledge of the types of virtual memory it can support. It advertises this knowledge to the application. For example, it knows if the VM can lock memory pages into memory to ensure that they are never swapped out to disk. The application can then request that the physical memory manager create an association between physical memory with certain characteristics and a virtual memory type (for example, SRAM that is permanently resident in memory). The physical memory manager creates a *filter* to represent this association. These filters can then be used in the constructors to physical immortal and scoped memory areas to ensure that the backing memory has the required properties.

### 11.1.2 Stacked Memory

Systems that must both maintain predictable memory performance over a long period of time and allocate and release memory at runtime must be able to characterize and control both internal and external fragmentation. The RTSJ provides scoped memory for safe, application-driven allocation and release of memory, but the bare scoped memory interface (*e.g.*, `LMemory`) leaves sufficient ambiguity in specification that using it to create and release scopes at runtime in a fragmentation-free manner may be VM- or platform-specific. The `StackedMemory` class provides a safe interface for creating and releasing scopes with a set of rules under which the VM must guarantee fragmentation-free behavior with predictable memory overhead. These guarantees are provided by constraining the order in which an application may enter `StackedMemory` areas, as well as the manner in which they may be arranged on

---

<sup>1</sup>For example, the *Advanced Configuration and Power Interface* (ACPI) specification is an open standard for device configuration and power management by the operating system. The ACPI defines platform-independent interfaces for hardware discovery, configuration, power management and monitoring. See <http://www.acpi.info/>

the scope stack. These constraints are enforced by the RTSJ where practical.

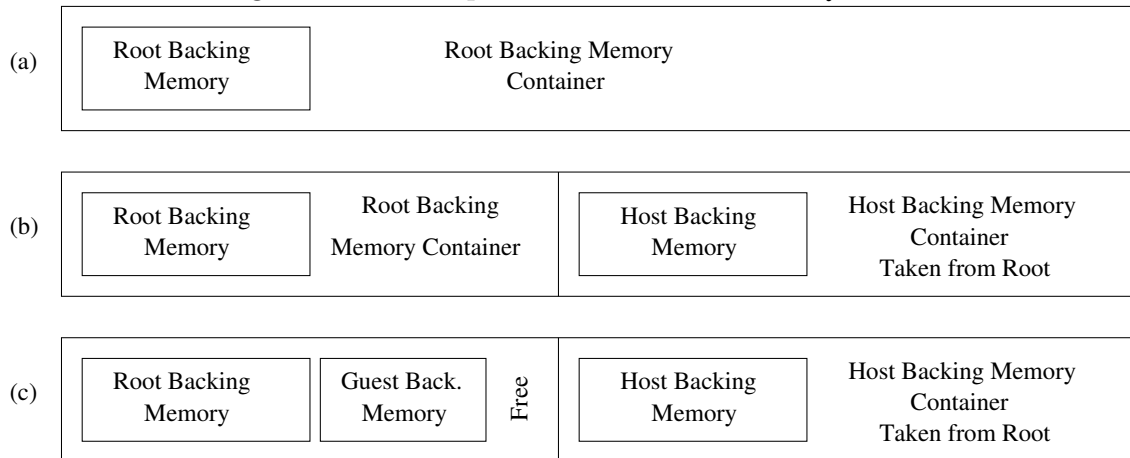
A `StackedMemory` area represents both a backing memory providing `ScopedMemory` semantics and a *backing memory container* from which the backing memory is drawn. The backing memory container may be further subdivided into additional backing memories and backing memory containers. Such divisions behave as if new containers are allocated contiguously from the bottom of the container, while new backing memories are allocated contiguously from the top, with containers and backing memories meeting when the container is completely occupied.

`StackedMemory` backing memory containers are explicitly created and sized, and have well-defined lifetimes similar to objects in a `ScopedMemory` area. A `StackedMemory` object can be created as either a *host*, which has its own backing memory container, or a *guest*, which draws its backing memory directly from its parent's backing memory container. When a `StackedMemory` object is created in a non-`StackedMemory` allocation context, it is necessarily a host and we call it a *root* `StackedMemory`. In this case, its backing memory container is drawn from a notional global backing memory container. Applications should assume that a root `StackedMemory`'s object is immortal, and implementations need not release it even if it is finalized. When a `StackedMemory` object is created in another `StackedMemory`'s allocation context, it may be created as either a host or guest. If it is created as a host, its backing memory container is drawn from its parent area's container, and its backing memory is created in the newly-divided container. If it is created as a guest, its backing memory is created in its parent's backing memory container.

Object lifetimes for objects allocated in `StackedMemory` backing memories are the same as those in `ScopedMemory` allocation areas. When a `StackedMemory` object itself is finalized, its backing memory is returned to the container from which it was drawn, and in the case of host `StackedMemory` areas, the associated backing memory container is also returned to the parent's container. As previously mentioned, root `StackedMemory` backing memory containers are effectively immortal. Additionally, the backing memory of a `StackedMemory` can be resized under certain conditions. These semantics allow the memory represented by a root `StackedMemory` backing memory container to be partitioned and re-partitioned as the application requires, without danger of fragmentation and without requiring memory allocation external to the container to track the partitioning.

In order to preserve the fragmentation-free nature of this contract, certain rules are enforced, and certain additional rules must be observed by the application. The rules that are enforced by the `StackedMemory` infrastructure are:

- A non-root `StackedMemory` area can only be entered from the same allocation context in which it was created.
- A `StackedMemory` area may have at most one direct child in the scope stack that is a guest `StackedMemory` area.
- A `StackedMemory` object cannot be created from another `StackedMemory` al-

Figure 11.1: Manipulation of `StackedMemory` Areas

location context unless it is allocated from that area's backing memory.

- A `StackedMemory`'s backing memory cannot be resized if there are non-finalized guest `StackedMemory` backing memories placed after it in the same backing memory container.

The additional rules that are not enforced by the infrastructure are not enforced because it may be desirable for an application to temporarily violate them (*e.g.*, when joining child threads in completion order, rather than creation order). They nevertheless must be observed at critical times in order to preserve fragmentation-free allocation. They are that, when a new `StackedMemory` is created as either a host or guest in a particular container, one of the following conditions must be met:

- The new `StackedMemory` area is a host, and there are existing non-finalized host `StackedMemory` descendants in the parent backing memory, but all such descendants were *created after* all non-finalized host descendants. (That is, effectively last-in first-out finalization.)
- The new `StackedMemory` area is a host, and there are no existing non-finalized host `StackedMemory` descendants in the parent backing memory.
- The new `StackedMemory` area is a guest.

Note that the first bullet point effectively can be violated only if the parent has *both* host and guest children.

Figure 11.1 graphically depicts the behavior of `StackedMemory` backing memory containers and backing memories for a root `StackedMemory` as well as one host and one guest child `StackedMemory` under that root. A code fragment that could create the stack topology in Figure 11.1 is as follows. Assume that this fragment executes in an allocation context other than a `StackedMemory`, and that zero overhead is required for memory area creation. (Implementations may require a constant amount of backing memory overhead for each `StackedMemory` area created in the store.)

---

```

1 // Create a StackedMemory with a 10 kB backing memory container and 2 kB backing memory
2 rootArea = new StackedMemory(2048, 10240); // (a)
3 rootArea.enter(new Runnable() {
4     public void run() {
5         // Create a host area with a 6 kB backing memory container and 2 kB backing memory
6         hostArea = new StackedMemory(2048, 6144); // (b)
7         // Create a guest area with a 2 kB backing memory
8         guestArea = new StackedMemory(1536); // (c)
9     }
10 });

```

---

Commented points (a), (b), and (c) correspond to their respective subfigures in Figure 11.1. At point (a), a root `StackedMemory` has been created with its 10 kB backing memory container drawn from the notional global container. It contains a 2 kB backing memory, which is then entered. With that backing memory as the current allocation context, a new host `StackedMemory` is created at (b), reserving 6 kB of the root `StackedMemory`'s backing memory container for its own use and creating a second 2 kB backing memory within that reservation. A new guest `StackedMemory` is then created at (c) in the root area (without entering the host child), occupying 1.5 kB of the remaining free 2 kB of the container in the root area. At this point, the root area's backing memory container is almost entirely occupied, with one 2 kB backing memory, one 1.5 kB backing memory, and a 6 kB host area backing memory container reservation, and 512 B of free backing memory container in between. The host `StackedMemory` created at (b) has 4 kB of its backing memory container remaining unoccupied in its reservation, which could be allocated to additional host or guest `StackedMemory` areas beneath it in the stack.

### 11.1.3 Summary

In summary, the classes and interfaces defined in this chapter enable

- the definition of regions of memory outside of the traditional Java heap;
- the definition of regions of scoped memory, that is, memory regions with a limited lifetime;
- the definition of regions of memory containing objects whose lifetime matches that of the application;
- the definition of regions of memory mapped to specific physical addresses with specific virtual memory characteristics;
- the specification of maximum memory area consumption and maximum allocation rates for individual schedulables;
- the programmer to query information characterizing the behavior of the garbage collection algorithm, and to some limited ability, alter the behavior of that algorithm.

## 11.2 Definitions

**Open issue:** AJW: I have rewritten this section. The original section is given below. Although, I am not sure it is of any use. I think I would rather delete it. It seems at the wrong level to me. **End of open issue**

The following terms are used throughout this chapter.

Backing store — or Backing Memory. The area of memory that is managed by a `MemoryArea` — This memory is logically separate from the Java heap.

Current allocation context — The memory area which will be used when object allocation is requested.

Execution context — For purposes of scoped memory reference counting, the following are treated as *execution contexts*:

- `RealtimeThread` objects that have been started and have not terminated,
- `AsyncEventHandler` objects that are currently in a released state,
- `AsyncEvent` objects that are bound to happenings, **Open issue:** will need updating **End of open issue**
- `Timer` objects that have been started and have not been destroyed,
- other schedulables that control an execution engine. **Open issue:** this needs a better explanation **End of open issue**

Fireable asynchronous event handler — An `AbstractAsyncEventHandler` is *fireable* whenever there is an agent that can release it. This includes cases when the `AbstractAsyncEventHandler` is

- a miss handler, or overrun handler for a realtime thread that has been started but not yet terminated;
- a handler associated with an `AsyncEvent` bound to a happening;
- a handler associated with a `Timer` that has been started but not yet destroyed;
- a handler associated with an `AsyncEvent` that can be programmatically fired;
- a miss handler or overrun handler for an `AsyncEventHandler`.

It excludes the case in the final stage of scoped memory wrap-up, where fireability is controlled by the wrap-up process. **Open issue:** I have no idea what this mean! **End of open issue**

Non-default initial memory area — The initial memory area for a schedulable is *non-default* if it is not the memory area where the schedulable was created.

Portal — Defined for `ScopedMemory` areas. They are a tool that associates a reference value with a memory area. It is normally used to give code that has a reference to the memory area a way to go from that reference to a reference to an object stored in that memory area.

Scope stack — A stack of in-use memory areas. Used to explain the semantics of memory areas.

## 11.3 Semantics

The following list establishes the semantics that are applicable across the classes of this section. Semantics that apply to particular classes, constructors, methods, and fields will be found in the class description and the constructor, method, and field detail sections.

### 11.3.1 Allocation time

1. Some `MemoryArea` classes are required to have linear (in object size) allocation time. The linear time attribute requires that, ignoring performance variations due to hardware caches or similar optimizations and ignoring execution time of any static initializers, the execution time of `new` must be bounded by a polynomial,  $f(n)$ , where  $n$  is the size of the object and for all  $n > 0$ ,  $f(n) \leq Cn$  for some constant  $C$ .
2. Execution time of object constructors, and time spent in class loading and static initialization are not governed by bounds on object allocation in this specification, but setting default initial values for fields in the instance (as specified in *The Java Virtual Machine Specification*, Second Edition, section 2.5.1, “Each class variable, instance variable, and array component is initialized with a default value when it is created.”) is considered part of object allocation and included in the time bound.

### 11.3.2 The allocation context

3. A memory area is represented by an instance of a subclass of the `MemoryArea` class. When a memory area,  $m$ , is entered by calling `m.enter` (or another method from the family of enter-like methods in `MemoryArea` or `ScopedMemory`),  $m$  becomes the *allocation context* of the current schedulable object. When control returns from the `enter` method, the allocation context is restored to the value it had immediately before `enter` was called.
4. When a memory area,  $m$ , is entered by calling  $m$ 's `executeInArea` method,  $m$  becomes the current allocation context of the current schedulable. When control returns from the `executeInArea` method, the allocation context is restored to the value it had before `executeInArea` was called.
5. The initial allocation context for a schedulable when it is first released, is the memory area that was designated the *initial memory area* when the schedulable was constructed. This initial allocation context becomes the current allocation context for that schedulable when the schedulable object first becomes eligible for execution. For async event handlers, the initial allocation context is the same on each release; for realtime threads, in releases subsequent to the

first, the allocation context is the same as it was when the realtime thread became *blocked-for-release-event*.

6. All object allocation through the `new` keyword will use the current allocation context, but note that allocation can be performed in a specific memory area using the `newInstance` and `newArray` methods.
7. schedulables behave as if they stored their memory area context in a structure called the *scope stack*. This structure is manipulated by creation of schedulables, and the following methods from the `MemoryArea` and `ScopedMemory` classes: all the `enter` and `joinAndEnter` methods, `executeInArea`, and both `newInstance` methods. See the semantics in Maintaining the Scope Stack for details.
8. The scope stack is accessible through a set of static methods on `RealtimeThread`. These methods allow outer allocation contexts to be accessed by their index number. Memory areas on a scope stack may be referred to as *inner* or *outer* relative to other entries in that scope stack. An “outer scope” is further from the current allocation context on the current scope stack and has a lower index.
9. The `executeInArea`, `newInstance` and `newArray` methods, when invoked on an instance of `ScopedMemory` require that instance to be an outer allocation context on the current schedulable object’s current scope stack.
10. An instance of `ScopedMemory` is said to be *in use* if it has a non-zero reference count as defined by semantic 17 below.

### 11.3.3 The Parent Scope

11. Instances of `ScopedMemory` have special semantics including definition of *parent*. If a `ScopedMemory` object is neither in use nor the initial memory area for a schedulable, it has no *parent* scope.
  - When a `ScopedMemory` object becomes in use, its parent is the nearest `ScopedMemory` object outside it on the current scope stack. If there is no outside `ScopedMemory` object in the current scope stack, the parent is the *primordial scope* which is not actually a memory area, but only a marker that constrains the parentage of `ScopedMemory` objects.
  - At construction of a schedulable, if the initial memory area has no parent, the initial memory area is assigned the parent it will have when the schedulable is in execution. This rule determines the initial memory area’s parent until the schedulable object is de-allocated from its memory area, or, if the schedulable object is a `RealtimeThread`, it completes execution. **Open issue:** This is a bit confusing. I would rather say when it is started or first released or created **End of open issue.**
12. Instances of `ScopedMemory` must satisfy the *single parent rule* which requires

that each scoped memory has a unique parent as defined in semantic 11.

### 11.3.4 Memory areas and schedulables

13. Pushing a scoped memory onto a scope stack is always subject to the single parent rule.
14. Each schedulable has an initial memory area which is that object's initial allocation context. The default initial memory area is the current allocation context in effect during execution of the schedulable's constructor, but schedulables may supply constructors that override the default.
15. A Java thread cannot have a scope stack; consequently it can only be created and execute within heap or immortal memory. The thread starts execution with its allocation context set to the memory area containing the `Thread` object. An attempt to create a Java thread in a scoped memory area throws `IllegalAssignmentError`.
16. A Java thread may use `executeInArea`, and the `newInstance` and `newArray` methods from the `ImmortalMemory` and `HeapMemory` classes. These methods allow it to execute with an immortal current allocation context, but semantic 15 applies even during execution of these methods.

### 11.3.5 Scoped memory reference counting

17. Each instance of the class `ScopedMemory` or its subclasses must maintain a reference count which is greater than zero if and only if either:
  - the scoped memory area is the current allocation context or an outer allocation context for one or more *execution contexts*; or else
  - the scoped memory area is the *fireable* `AsyncEventHandler` and the handler was created with the `pinInitialMemoryArea` flag set to `True`. **Open issue:** this makes no sense to me **End of open issue**
18. Each instance of the `PinnableMemory` class must support a pinned count. This count is incremented for each call of the `pin` method and decremented for each call of the `unpin` method. The count is always greater than or equal to zero (that is, calling the `unpin` method has no effect if the count equals zero).
19. When the reference count for an instance of the class `ScopedMemory` is ready to be decremented from one to zero and the pinned count (if present) is equal to zero, all unfinalized objects within that area are considered ready for finalization. If after the finalizers for all such unfinalized objects in the scoped memory area run to completion, the reference count for the memory area is still ready to be decremented to zero and the pinned count is still equal to zero, any newly created unfinalized objects are considered ready for finalization and the process is repeated until no new objects are created or the scoped memory's



reference count is no longer ready to be decremented from one to zero. When the scope contains no unfinalized objects and its reference count is ready to be decremented from one to zero and the pinned count is equal to zero, any async event in the scope is no longer treated as a source of fireability for async event handlers. If that action causes object creation in the scope the finalization process resumes from the beginning, if the reference count is no longer ready to be decremented to zero the finalization process terminates, otherwise, the reference count is decremented to zero and the memory scope is emptied of all objects. The process of scope finalization starts when the scope's reference count is about to go to zero with a zero pin count and continues until the scope is emptied or the process is terminated because the reference count is no longer about to go to zero. The RTSJ implementation must behave effectively as if during the finalization process the SO executing the finalization of a scope held a synchronized lock that must also be acquired to increase the reference count when entering the scope, to increase the reference count during startup for a thread with the finalizing scope as its non-default initial memory area, and to increase the reference count while making fireable an AEH with the scope as its non-default initial memory area. Although the steps in scope finalization are ordered no order is specified for finalization of objects or for disarming fireability of AEHs. The objects may be processed in any order or concurrently, but at no time may a scope's reference count be reduced to zero while it has one or more child scopes. (This semantic is a special case of the finalization implementation specified in *The Java Language Specification*, second edition, section 12.6.1.)

20. When the pinned count is ready to go to zero and the reference count is zero, all unfinalized objects within that area are considered ready for finalization, and the same semantics as 19 above applies.
21. Finalization may start when all unfinalized objects in the scope are ready for finalization. Finalizers are executed with the current allocation context set to the finalizing scope and are executed by the schedulable in control of the scope when its reference count is ready to be decremented from one to zero. If finalizers are executed because a realtime thread terminates or an `AsyncEventHandler` becomes non-fireable, that realtime thread or `AsyncEventHandler` is considered in control of the scope and must execute the finalizers.
22. From the time objects in a scope are deleted until the portal on the scope is successfully set to a non-null value with `setPortal`, the value returned by `getPortal` on that scoped memory object must be `null`.

### 11.3.6 Immortal memory

23. Objects created in any immortal memory area are unexceptionally referenceable from all Java threads, and all schedulables, and the allocation and use of objects in immortal memory is never subject to garbage collection delays.
24. An implementation may execute finalizers for immortal objects when it determines that the application has terminated. Finalizers will be executed by a thread or schedulable whose current allocation context is not scoped memory. Regardless of any call to `runFinalizersOnExit`, except as required to support the base Java platform, the system need not execute finalizers for immortal objects that remain unfinalized when the JVM begins termination.
25. Class objects, the associated static memory, and interned Strings behave effectively as if they were allocated in immortal memory with respect to reference rules, assignment rules, and preemption delays by no-heap schedulables. Static initializers are executed effectively as if the current thread performed `ImmutableMemory.instance().executeInArea(r)` where `r` is a `Runnable` that executes the `<clinit>` method of the class being initialized.

### 11.3.7 Maintaining referential integrity

26. Assignment rules placed on reference assignments prevent the creation of dangling references, and thus maintain the referential integrity of the Java runtime. The restrictions are listed in the following table:

Stored in Area	Reference to Object in Heap	Reference to Object in Immortal	Reference to Object in Scoped	null
Heap	Permit	Permit	Forbid	Permit
Immortal	Permit	Permit	Forbid	Permit
Scoped	Permit	Permit	Forbid	Permit
Scoped	Permit	Permit	Permitted from same or outer scope	Permit
Local Variable	Permit	Permit	Forbid	Permit

For this table, `ImmutableMemory` and `ImmutablePhysicalMemory` are equivalent, and all sub-classes of `ScopedMemory` are equivalent.

27. An implementation must ensure that the above checks are performed on every assignment statement before the statement is executed. (This includes the possibility of static analysis of the application logic). Checks for operations on local variables are not required because a potentially invalid reference would be captured by the other checks before it reached a local variable.

### 11.3.8 Object initialization

28. Static initializers run with the immortal memory area as their allocation context.
29. The current allocation context in a constructor for an object is the memory area in which the object is allocated. For `new`, this is the current allocation context when `new` was called. For members of the `m.newInstance` family, the current allocation context is memory area `m`.

### 11.3.9 Maintaining the Scope Stack

This section describes maintenance of a data structure that is called the *scope stack*. Implementations are not required to use a stack or implement the algorithms given here. It is only required that an implementation behave with respect to the ordering and accessibility of memory scopes effectively as if it implemented these algorithms. The scope stack is implicitly visible through the assignment rules, and the stack is explicitly visible through the `static getOuterMemoryArea(int index)` method on `RealtimeThread`.

Four operations affect the scope stack: the `enter` methods in `MemoryArea` and `ScopedMemory`, construction of a new schedulable, the `executeInArea` method in `MemoryArea`, and the new instance methods in `MemoryArea`.

- The memory area at the top of a schedulable object's scope stack is the schedulable's current allocation context.
- When a schedulable, `t`, creates a schedulable object, `nt`, in a `ScopedMemory` object's allocation area, `nt` acquires a copy of the scope stack associated with `t` at the time `nt` is constructed including all entries from up to and including the memory area containing `nt`. If `nt` is created in heap, immortal, or immortal physical memory, `nt` is created with a scope stack containing only heap, immortal, or immortal physical memory respectively. If `nt` has a non-default initial memory area, `ima`, then `ima` is pushed on `nt`'s newly-created scope stack.
- When a memory area, `ma` is entered by calling a `ma.enter` method, `ma` is pushed on the scope stack and becomes the *allocation context* of the current schedulable object. When control returns from the `enter` method, the allocation context is popped from the scope stack
- When a memory area, `m`, is entered by calling `m`'s `executeInArea` method or one of the `m.newInstance` methods the scope stack before the method call is preserved and replaced with a scope stack constructed as follows:
  - If `ma` is a scoped memory area the new scope stack is a copy of the schedulable's previous scope stack up to and including `ma`.
  - If `ma` is not a scoped memory area the new scope stack includes only `ma`.
 When control returns from the `executeInArea` method, the scope stack is

restored to the value it had before `ma.executeInArea` or `ma.newInstance` was called.

Notes:

- For the purposes of these algorithms, stacks grow *up*.
- The representative algorithms ignore important issues like freeing objects in scopes.
- In every case, objects in a scoped memory area are eligible to be freed when the reference count for the area is zero after finalizers for that scope are run.
- Informally, any objects in a scoped memory area *must* be freed and their finalizers run before the reference count for the memory area is incremented from zero to one.

### 11.3.10 The enter method

For `ma.enter(logic)`:

---

```

1  push ma on the scope stack belonging to the current schedulable
2    -- which may throw ScopedCycleException
3  execute logic.run method
4  pop ma from the scope stack

```

---

### 11.3.11 The executeInArea or newInstance methods

For `ma.executeInArea(logic)`, `ma.newInstance()`, or `ma.newArray()`:

---

```

1  if ma is an instance of heap immortal or ImmortalPhysicalMemory,
2    start a new scope stack containing only ma.
3    make the new scope stack the scope stack for the current
4    schedulable.
5  else if ma is in the scope stack for the current schedulable,
6    start a new scope stack containing ma and all
7    scopes below ma on the scope stack.
8    make the new scope stack the scope stack for the current
9    schedulable.
10 else
11   throw InaccessibleAreaException, execute logic.run,
12   or construct the object.
13   restore the previous scope stack for the current schedulable.
14   discard the new scope stack.
15 end

```

---

### 11.3.12 Constructor methods for Schedulables

For construction of a schedulable in memory area `cma` with initial memory area of `ima`:

---

```

1  if cma is heap, immortal or ImmortalPhysicalMemory,
2      create a new scope stack containing cma.
3  else
4      start a new scope stack containing the entire
5          current scope stack.
6
7  if ima != cma
8      push ima on the new scope stack
9          -- which may throw ScopedCycleException.

```

---

The above pseudocode illustrates a straightforward implementation of this specification's semantics, but any implementation that behaves effectively like this one with respect to reference count values of zero and one is permissible. An implementation may be eager or lazy in maintenance of its reference count provided that it correctly implements the semantics for reference counts of zero and one.

### 11.3.13 The Single Parent Rule

Every push of a scoped memory type on a scope stack requires reference to the single parent rule, this enforces the invariant that every scoped memory area has no more than one parent.

The parent of a scoped memory area is identified by the following rules (for a stack that grows up):

- If the memory area is not currently on any scope stack, it has no parent
- If the memory area is the outermost (lowest) scoped memory area on any scope stack, its parent is the *primordial scope*.
- For all other scoped memory areas, the parent is the first scoped memory area outside it on the scope stack.

Except for the primordial scope, which represents heap, immortal and immortal physical memory, only scoped memory areas are visible to the single parent rule.

The operational effect of the single parent rule is that when a scoped memory area has a parent, the only legal change to that value is to “no parent.” Thus an ordering imposed by the first assignments of parents of a series of nested scoped memory areas is the only nesting order allowed until control leaves the scopes; then a new nesting order is possible. Thus a schedulable attempting to enter a scope can only do so by entering in the established nesting order.

### 11.3.14 Scope Tree Maintenance

The single parent rule is enforced effectively as if there were a tree with the primordial scope (representing heap, immortal, and immortal physical memory) at its root, and other nodes corresponding to every scoped memory area that is currently on any schedulable's scope stack.

Each scoped memory has a reference to its parent memory area, `ma.parent`. The parent reference may indicate a specific scoped memory area, no parent, or the primordial parent.

If a scoped memory area is the non-default initial memory area of an async event handler, or the non-default initial memory area of a realtime thread that has not terminated, it is referred to as *pinned*.

#### 11.3.14.1 On Scope Stack Push of `ma`

The following procedure could be used to maintain the scope tree and ensure that push operations on a schedulable's scope stack do not violate the single parent rule.

---

```

1 precondition: ma.parent is set to the correct parent (either a scoped
2   memory area or the primordial scope) or to noParent.
3
4   t.scopeStack is the scope stack of the current schedulable
5
6   if ma is scoped,
7     parent = findFirstScope(t.scopeStack)
8   if ma.parent == noParent
9     ma.parent = parent.
10  else if ma.parent != parent
11    throw ScopedCycleException.
12  else
13    t.scopeStack.push(ma).
```

---

`findFirstScope` is a convenience function that looks down the scope stack for the next entry that is a reference to an instance of `ScopedMemoryArea`.

---

```

1 findFirstScope(scopeStack)
2 {
3   for s = top of scope stack to bottom of scope stack
4     if s is an instance of ScopedMemory
5       return s return primordial scope
6 }
```

---

#### 11.3.14.2 On Scope Stack Pop of `ma`

---

```
1 ma = t.scopeStack.pop.  
2 if ma is scoped  
3     if !(ma.in_use || ma.pinned)  
4         ma.parent = noParent
```

---

## 11.4 Package `javax.realtime`

### 11.4.1 Interfaces

#### 11.4.1.1 `ChildScopeVisitor`

---

This interface is used to visit the members of the set of scoped children of a memory area. An object implementing this interface is passed to the `MemoryArea.visitScopedChildren` method.

##### 11.4.1.1.1 Methods

---

### `visit(ScopedMemory)`

#### *Signature*

```
public
java.lang.Object visit(ScopedMemory scope)
```

#### *Parameters*

*scope* The scoped memory area being visited.

#### *Returns*

Any object chosen by the application. If `visit` returns a non-null value, no more scopes are visited and the `MemoryArea.visitScopedChildren`<sup>3</sup> method returns the value returned by `{visit(ScopedMemory)}`<sup>4</sup>.

Visit the members of the set of child scopes. The set may be concurrently modified by other tasks, but the view seen by the visitor may not be updated to reflect those changes. The guarantees are:

- If the set is disturbed by other tasks, the visitor shall visit no member more than once, and it shall visit only scopes that were a member of the set at some time during the enumeration of the set, and it shall visit all the scopes that are not deleted during the execution of the visitor.

---

<sup>2</sup>Section [11.4.3.7.2](#)

<sup>3</sup>Section [11.4.3.7.2](#)

<sup>4</sup>Section [11.4.1.1.1](#)



### 11.4.1.2 PhysicalMemoryCharacteristic

---

A tagging interface used to identify physical memory characteristics. Applications can give names to regions of memory that are described by `PhysicalMemoryModule`. The names are defined by creating instances of this interface. For example, final static `PhysicalMemoryCharacteristic STATIC_RAM = ...;`

Available since RTSJ version RTSJ 2.0

### 11.4.1.3 PhysicalMemoryFilter

---

An interface to the physical memory filters. Filters are created by a factory in the `PhysicalMemoryManager`<sup>5</sup> class.

Available since RTSJ version RTSJ 2.0

#### 11.4.1.3.1 Methods

---

`setVMCharacteristics(javax.realtime.VirtualMemoryCharacteristic[])`

*Signature*

```
public
void setVMCharacteris-
tics(javax.realtime.VirtualMemoryCharacteristic[] required)
```

### 11.4.1.4 VirtualMemoryCharacteristic

---

---

<sup>5</sup>Section 15.3.2.3

A tagging interface used to identify virtual memory characteristics. The `PhysicalMemoryManager` defines static public objects that implement this interface. Each instance represents a particular virtual memory characteristic supported by the hosting machine.

For example, public final static `VirtualMemoryCharacteristic PERMANENTLY_RESIDENT`

Available since RTSJ version RTSJ 2.0

## 11.4.2 Enumerations

### 11.4.2.1 `NewPhysicalMemoryManager.CachingBehavior`

---

#### Inheritance

```
java.lang.Object
  java.lang.Enum
    javax.realtime.NewPhysicalMemoryManager.CachingBehavior
```

#### 11.4.2.1.1 Enumeration Constants

---

##### `DISABLED`

```
public static final DISABLED
```

##### `WRITE_THROUGH`

```
public static final WRITE_THROUGH
```

##### `WRITE_BACK`

```
public static final WRITE_BACK
```

#### 11.4.2.1.2 Constructors

---

## NewPhysicalMemoryManager.CachingBehavior

### *Signature*

```
private
    NewPhysicalMemoryManager.CachingBehavior()
```

### 11.4.2.1.3 Methods

---

## values

### *Signature*

```
public static
    javax.realtime.NewPhysicalMemoryManager.CachingBehavior[]
    values()
```

## valueOf(String)

### *Signature*

```
public static
    javax.realtime.NewPhysicalMemoryManager.CachingBehavior
    valueOf(String name)
```

### 11.4.2.2 NewPhysicalMemoryManager.PagingBehavior

---

## Inheritance

```
java.lang.Object
    java.lang.Enum
        javax.realtime.NewPhysicalMemoryManager.PagingBehavior
```

### 11.4.2.2.1 Enumeration Constants

---

## FIXED

```
public static final FIXED
```

**SWAPPABLE**

```
public static final SWAPPABLE
```

**11.4.2.2 Constructors**

---

**NewPhysicalMemoryManager.PagingBehavior***Signature*

```
private  
    NewPhysicalMemoryManager.PagingBehavior()
```

**11.4.2.2.3 Methods**

---

**values***Signature*

```
public static  
    javax.realtime.NewPhysicalMemoryManager.PagingBehavior []  
    values()
```

**valueOf(String)***Signature*

```
public static  
    javax.realtime.NewPhysicalMemoryManager.PagingBehavior  
    valueOf(String name)
```

**11.4.3 Classes****11.4.3.1 GarbageCollector**

---

**Inheritance**

java.lang.Object  
 javax.realtime.GarbageCollector

The system shall provide dynamic and static information characterizing the temporal behavior and imposed overhead of any garbage collection algorithm provided by the system. This information shall be made available to applications via methods on subclasses of `GarbageCollector`. Implementations are allowed to provide any set of methods in subclasses as long as the temporal behavior and overhead are sufficiently categorized. The implementations are also required to fully document the subclasses.

A reference to the garbage collector responsible for heap memory is available from `RealtimeSystem.currentGC()`<sup>6</sup>.

#### 11.4.3.1.1 Constructors

---

#### 11.4.3.1.2 Methods

---

### getPreemptionLatency

#### *Signature*

```
public abstract
  javax.realtime.RelativeTime getPreemptionLatency()
```

#### *Returns*

The worst-case preemption latency of the garbage collection algorithm represented by `this`. The returned object is allocated in the current allocation context. If there is no constant that bounds garbage collector preemption latency, this method shall return a relative time with `Long.MAX_VALUE` milliseconds. The number of nanoseconds in this special value is unspecified.

Preemption latency is a measure of the maximum time a schedulable object may have to wait for the collector to reach a preemption-safe point.

Instances of `NoHeapRealtimeThread`<sup>7</sup> and async event handlers with the no-heap option preempt garbage collection immediately, but other schedulables must wait until the collector reaches a preemption-safe point. For many garbage collectors the only preemption safe point is at the end of garbage collection, but an implementation of the garbage collector could permit a schedulable to preempt garbage

---

<sup>6</sup>Section 13.3.1.6.3

<sup>7</sup>Section 15.3.2.1

collection before it completes. The `getPreemptionLatency` method gives such a garbage collector a way to report the worst-case interval between release of a schedulable during garbage collection, and the time the schedulable starts execution or gains full access to heap memory, whichever comes later.

### 11.4.3.2 HeapMemory

---

#### Inheritance

```
java.lang.Object
  javax.realtime.MemoryArea
  javax.realtime.HeapMemory
```

The `HeapMemory` class is a singleton object that allows logic with a non-heap allocation context to allocate objects in the Java heap.

#### 11.4.3.2.1 Fields

---

```
heap
  private static heap
```

#### 11.4.3.2.2 Constructors

---

### HeapMemory

#### *Signature*

```
private
  HeapMemory()
```

#### 11.4.3.2.3 Methods

---

**enter***Signature*

```
public
void enter()
```

*Throws*

*IllegalThreadStateException* when the caller is a Java thread.

*IllegalArgumentException* @inheritDoc

*MemoryAccessError* when caller is a no-heap schedulable.

Associate this memory area with the current schedulable for the duration of the execution of the `run()` method of the instance of `Runnable` given in the constructor. During this period of execution, this memory area becomes the default allocation context until another default allocation context is selected (using `enter`, or `executeInArea`<sup>8</sup>) or the `enter` method exits.

**enter(Runnable)***Signature*

```
public
void enter(Runnable logic)
```

*Parameters*

*logic* The `Runnable` object whose `run()` method should be invoked.

*Throws*

*MemoryAccessError* when caller is a no-heap schedulable.

*IllegalThreadStateException* @inheritDoc

*IllegalArgumentException* @inheritDoc

Associate this memory area with the current schedulable for the duration of the execution of the `run()` method of the given `Runnable`. During this period of execution, this memory area becomes the default allocation context until another default allocation context is selected (using `enter`, or `executeInArea`<sup>9</sup>) or the `enter` method exits.

**instance***Signature*

```
public static
javax.realtime.HeapMemory instance()
```

*Returns*


---

<sup>8</sup>Section [11.4.3.2.3](#)

<sup>9</sup>Section [11.4.3.2.3](#)

The singleton `HeapMemory`<sup>10</sup> object.

Returns a reference to the singleton instance of `HeapMemory`<sup>11</sup> representing the Java heap. The singleton instance of this class shall be allocated in the `ImmortalMemory`<sup>12</sup> area.

## `executeInArea(Runnable)`

### *Signature*

```
public
void executeInArea(Runnable logic)
```

### *Parameters*

*logic* The runnable object whose `run()` method should be executed.

### *Throws*

*IllegalArgumentException* when *logic* is null.

*MemoryAccessError* when caller is a no-heap schedulable.

Execute the `run` method from the `logic` parameter using heap as the current allocation context. For a schedulable, this saves the current scope stack and replaces it with one consisting only of the `HeapMemory` instance; restoring the original scope stack upon completion.

## `newArray(java.lang.Class, int)`

### *Signature*

```
public
java.lang.Object newArray(java.lang.Class type, int number)
```

### *Parameters*

*type* `@inheritDoc`

*number* `@inheritDoc`

### *Throws*

*MemoryAccessError* when caller is a no-heap schedulable.

*IllegalArgumentException* `@inheritDoc`

*OutOfMemoryError* `@inheritDoc`

### *Returns*

`@inheritDoc`

Allocate an array of the given type in this memory area. This method may be concurrently used by multiple threads.

---

<sup>10</sup>Section [11.4.3.2](#)

<sup>11</sup>Section [11.4.3.2](#)

<sup>12</sup>Section [11.4.3.3](#)



## **newInstance(java.lang.Class)**

### *Signature*

```
public  
java.lang.Object newInstance(java.lang.Class type)  
throws IllegalAccessException, InstantiationException
```

### *Parameters*

*type* @inheritDoc

### *Throws*

*MemoryAccessError* when caller is a no-heap schedulable.

*IllegalAccessException* @inheritDoc

*IllegalArgumentException* @inheritDoc

*ExceptionInInitializerError* @inheritDoc

*OutOfMemoryError* @inheritDoc

*InstantiationException* @inheritDoc

### *Returns*

@inheritDoc

Allocate an object in this memory area. This method may be concurrently used by multiple threads.

## **newInstance(java.lang.reflect.Constructor, java.lang.Object[])**

### *Signature*

```
public  
java.lang.Object newInstance(java.lang.reflect.Constructor c,  
java.lang.Object[] args)  
throws IllegalAccessException, InstantiationException,  
InvocationTargetException
```

### *Parameters*

*c* T@inheritDoc

*args* @inheritDoc

### *Throws*

*MemoryAccessError* when caller is a no-heap schedulable.

*IllegalAccessException* @inheritDoc

*InstantiationException* @inheritDoc

*OutOfMemoryError* @inheritDoc

*IllegalArgumentException* @inheritDoc

*InvocationTargetException* @inheritDoc

### *Returns*

@inheritDoc

Allocate an object in this memory area. This method may be concurrently used by multiple threads.

## visitScopedChildren(ChildScopeVisitor)

### Signature

```
public
  java.lang.Object visitScopedChildren(ChildScopeVisitor visitor)
```

### Parameters

*visitor* invoke the `ChildScopeVisitor.visit(ScopedMemory)`<sup>13</sup> method for each member of the set of scoped memory areas that was created in heap memory and has the primordial scope as its parent.

### Throws

`IllegalArgumentException` @inheritDoc

### Returns

@inheritDoc

Visit each scoped memory area who's parent is the primordial scope and was created in heap memory.

### 11.4.3.3 ImmortalMemory

#### Inheritance

```
java.lang.Object
  javax.realtime.MemoryArea
  javax.realtime.ImmortalMemory
```

`ImmortalMemory` is a memory resource that is unexceptionally available to all schedulables and Java threads for use and allocation.

An immortal object may not contain references to any form of scoped memory, e.g., `LTMemory`<sup>14</sup>, `StackedMemory`<sup>15</sup>, `PinnableMemory`<sup>16</sup>, or `LTPhysicalMemory`<sup>17</sup>.

Objects in immortal have the same states with respect to finalization as objects in the standard Java heap, but there is no assurance that immortal objects will be finalized even when the JVM is terminated.

Methods from `ImmortalMemory` should be overridden only by methods that use `super`.

<sup>13</sup>Section 11.4.1.1.1

<sup>14</sup>Section 11.4.3.5

<sup>15</sup>Section 11.4.3.14

<sup>16</sup>Section 11.4.3.11

<sup>17</sup>Section 11.4.3.6

### 11.4.3.3.1 Fields

---

**MEM\_SIZE**

```
private static final MEM_SIZE
```

**immortal**

```
private static immortal
```

### 11.4.3.3.2 Constructors

---

## ImmortalMemory

*Signature*

```
private  
    ImmortalMemory()
```

### 11.4.3.3.3 Methods

---

**instance***Signature*

```
public static  
    javax.realtime.ImmortalMemory instance()
```

*Returns*

The singleton [ImmortalMemory](#)<sup>18</sup> object.

Returns a pointer to the singleton [ImmortalMemory](#)<sup>19</sup> object.

---

<sup>18</sup>Section [11.4.3.3](#)

<sup>19</sup>Section [11.4.3.3](#)

## executeInArea(Runnable)

### Signature

```
public
void executeInArea(Runnable logic)
```

### Parameters

*logic* The runnable object whose `run()` method should be executed.

### Throws

*IllegalArgumentException* when *logic* is null.

Execute the `run` method from the `logic` parameter using this memory area as the current allocation context. For a schedulable, this saves the current scope stack and replaces it with one consisting only of the `ImmortalMemory` instance; restoring the original scope stack upon completion.

## visitScopedChildren(ChildScopeVisitor)

### Signature

```
public
java.lang.Object visitScopedChildren(ChildScopeVisitor visitor)
```

### Parameters

*visitor* invoke the `ChildScopeVisitor.visit(ScopedMemory)`<sup>20</sup> method for each member of the set of scoped memory areas that was created in this immortal memory area and has the primordial scope as its parent.

### Throws

*IllegalArgumentException* @inheritDoc

### Returns

@inheritDoc

Visit each scoped memory area who's parent is the primordial scope and was created in this memory area.

### 11.4.3.4 ImmortalPhysicalMemory

---

#### Inheritance

```
java.lang.Object
  javax.realtime.MemoryArea
    javax.realtime.ImmortalPhysicalMemory
```

An instance of `ImmortalPhysicalMemory` allows objects to be allocated from a range of physical memory with particular attributes, determined by their memory

---

<sup>20</sup>Section 11.4.1.1.1

type. This memory area has the same restrictive set of assignment rules as `ImmortalMemory`<sup>21</sup> memory areas, and may be used in any execution context where `ImmortalMemory` is appropriate.

No provision is made for sharing object in `ImmortalPhysicalMemory` with entities outside the JVM that creates them, and, while the memory backing an instance of `ImmortalPhysicalMemory` could be shared by multiple JVMs, the class does not support such sharing.

Methods from `ImmortalPhysicalMemory` should be overridden only by methods that use `super`.

#### 11.4.3.4.1 Constructors

---

### **ImmortalPhysicalMemory(PhysicalMemoryFilter, long)**

#### *Signature*

```
public  
    ImmortalPhysicalMemory(PhysicalMemoryFilter type, long size)
```

#### *Parameters*

*type* An instance of a physical memory filter that defines the the required characteristics of the physical memory and the required charcateristics of the virtual memory it is to mapped to.

*size* The size of memory required.

#### *Throws*

*IllegalArgumentException* when `size` is less than zero.

*OutOfMemoryError* when there is insufficient memory for the `ImmortalPhysicalMemory` object or for the backing memory.

*SizeOutOfBoundsExpection* when the `size` extends into an invalid range of memory.

*SecurityException* when the application doesn't have permissions to access physical memory or the given type of memory.

Create a physical immortal memory area of the specified type and size.

**Available since RTSJ version RTSJ 2.0**

---

<sup>21</sup>Section [11.4.3.3](#)

## ImmortalPhysicalMemory(PhysicalMemoryFilter, SizeEstimator)

### Signature

```
public
    ImmortalPhysicalMemory(PhysicalMemoryFilter type, SizeEstimator size)
```

### Parameters

*type* An instance of a physical memory filter that defines the the required characteristics of the physical memory and the required charcateristics of the virtual memory it is to mapped to.

*size* A size estimator for this memory area.

### Throws

*IllegalArgumentException* when **size** is less than zero.

*OutOfMemoryError* when there is insufficient memory for the `ImmortalPhysicalMemory` object or for the backing memory.

*SizeOutOfBoundsException* when the **size** extends into an invalid range of memory.

*SecurityException* when the application doesn't have permissions to access physical memory or the given type of memory.

Create a physical immortal memory area of the specified type and size.

**Available since RTSJ version RTSJ 2.0**

## ImmortalPhysicalMemory(PhysicalMemoryFilter, long, Runnable)

### Signature

```
public
    ImmortalPhysicalMemory(PhysicalMemoryFilter type, long size, Runnable l
```

### Parameters

*type* An instance of a physical memory filter that defines the the required characteristics of the physical memory and the required charcateristics of the virtual memory it is to mapped to.

*size* The size of memory required.

*logic* The `run()` method of this object will be called whenever `MemoryArea.enter()`<sup>22</sup> is called. If `logic` is `null`, `logic` must be supplied when the memory area is entered.

*Throws*

*IllegalArgumentException* when `size` is less than zero.

*OutOfMemoryError* when there is insufficient memory for the `ImmortalPhysicalMemory` object or for the backing memory.

*SizeOutOfBoundsException* when the `size` extends into an invalid range of memory.

*SecurityException* when the application doesn't have permissions to access physical memory or the given type of memory.

Create a physical immortal memory area of the specified type and size.

Available since RTSJ version RTSJ 2.0

## ImmortalPhysicalMemory(PhysicalMemoryFilter, SizeEstimator, Runnable)

*Signature*

```
public
    ImmortalPhysicalMemory(PhysicalMemoryFilter type, SizeEstimator size, Runnable
```

*Parameters*

*type* An instance of a physical memory filter that defines the the required characteristics of the physical memory and the required charcateristics of the virtual memory it is to mapped to.

*size* A size estimator for this memory area.

*logic* The `run()` method of this object will be called whenever `MemoryArea.enter()`<sup>23</sup> is called. If `logic` is `null`, `logic` must be supplied when the memory area is entered.

*Throws*

*IllegalArgumentException* when `size` is less than zero.

*OutOfMemoryError* when there is insufficient memory for the `ImmortalPhysicalMemory` object or for the backing memory.

*SizeOutOfBoundsException* when the `size` extends into an invalid range of memory.

---

<sup>22</sup>Section 11.4.3.7.2

<sup>23</sup>Section 11.4.3.7.2

*SecurityException* when the application doesn't have permissions to access physical memory or the given type of memory.

Create a physical immortal memory area of the specified type and size.

**Available since RTSJ version RTSJ 2.0**

#### 11.4.3.4.2 Methods

---

### **executeInArea(Runnable)**

*Signature*

```
public
void executeInArea(Runnable logic)
```

*Parameters*

*logic* The runnable object whose `run()` method should be executed.

*Throws*

*IllegalArgumentException* when `logic` is `null`.

**Open issue:** AJW: Why is this method here? Execute the `run` method from the `logic` parameter using this memory area as the current allocation context. For a schedulable, this saves the current scope stack and replaces it with one consisting only of the `ImmortalMemory` instance; restoring the original scope stack upon completion. **End of open issue**

### **visitScopedChildren(ChildScopeVisitor)**

*Signature*

```
public
java.lang.Object visitScopedChildren(ChildScopeVisitor visitor)
```

*Parameters*

*visitor* invoke the `ChildScopeVisitor.visit(ScopedMemory)`<sup>24</sup> method for each member of the set of scoped memory areas that was created in this immortal memory area and has the primordial scope as its parent.

*Throws*

*IllegalArgumentException* @inheritDoc

*Returns*

@inheritDoc

---

<sup>24</sup>Section 11.4.1.1.1



**Open issue:** AJW: Why is this method here? Visit each scoped memory area who's parent is the primordial scope and was created in this immortal memory area.

**End of open issue**

### 11.4.3.5 LTMemory

---

#### Inheritance

```
java.lang.Object
  javax.realtime.MemoryArea
    javax.realtime.ScopedMemory
      javax.realtime.LTMemory
```

LTMemory represents a memory area guaranteed by the system to have linear time allocation when memory consumption from the memory area is less than the memory area's *initial* size. Execution time for allocation is allowed to vary when memory consumption is between the initial size and the maximum size for the area. Furthermore, the underlying system is not required to guarantee that memory between initial and maximum will always be available.

The memory area described by a LTMemory instance does not exist in the Java heap, and is not subject to garbage collection. Thus, it is safe to use a LTMemory object as the initial memory area associated with a [NoHeapRealtimeThread](#)<sup>25</sup>, or to enter the memory area using the [ScopedMemory.enter](#)<sup>26</sup> method within a [NoHeapRealtimeThread](#)<sup>27</sup>.

Enough memory must be committed by the completion of the constructor to satisfy the initial memory requirement. (Committed means that this memory must always be available for allocation). The initial memory allocation must behave, with respect to successful allocation, as if it were contiguous; i.e., a correct implementation must guarantee that any sequence of object allocations that could ever succeed without exceeding a specified initial memory size will always succeed without exceeding that initial memory size and succeed for any instance of LTMemory with that initial memory size. (Note: to ensure that all requested memory is available set initial and maximum to the same value) Methods from LTMemory should be overridden only by methods that use `super`.

[See Section MemoryArea](#))

[See Section ScopedMemory](#))

---

<sup>25</sup>Section [15.3.2.1](#)

<sup>26</sup>Section [11.4.3.12.2](#)

<sup>27</sup>Section [15.3.2.1](#)

[See Section RealtimeThread](#))

[See Section NoHeapRealtimeThread](#))

#### 11.4.3.5.1 Fields

---

**initialSize**  
initialSize

**maximumSize**  
maximumSize

#### 11.4.3.5.2 Constructors

---

### LTMemory(long, long)

#### *Signature*

```
public  
    LTMemory(long initial, long maximum)
```

#### *Parameters*

*initial* The size in bytes of the memory to allocate for this area. This memory must be committed before the completion of the constructor.

*maximum* The size in bytes of the memory to allocate for this area.

#### *Throws*

*IllegalArgumentException* when *initial* is greater than *maximum*, or if *initial* or *maximum* is less than zero.

*OutOfMemoryError* when there is insufficient memory for the LTMemory object or for the backing memory.

Create an LTMemory of the given size.

## LTMemory(long, long, Runnable)

### Signature

```
public
    LTMemory(long initial, long maximum, Runnable logic)
```

### Parameters

*initial* The size in bytes of the memory to allocate for this area. This memory must be committed before the completion of the constructor.

*maximum* The size in bytes of the memory to allocate for this area.

*logic* The `run()` of the given `Runnable` will be executed using `this` as its initial memory area. If `logic` is `null`, this constructor is equivalent to `LTMemory(long initial, long maximum)`<sup>28</sup>.

### Throws

*IllegalArgumentException* when `initial` is greater than `maximum`, or if `initial` or `maximum` is less than zero.

*OutOfMemoryError* when there is insufficient memory for the `LTMemory` object or for the backing memory.

*IllegalAssignmentError* when storing `logic` in `this` would violate the assignment rules.

Create an `LTMemory` of the given size.

## LTMemory(SizeEstimator, SizeEstimator)

### Signature

```
public
    LTMemory(SizeEstimator initial, SizeEstimator maximum)
```

### Parameters

*initial* An instance of `SizeEstimator`<sup>29</sup> used to give an estimate of the initial size. This memory must be committed before the completion of the constructor.

*maximum* An instance of `SizeEstimator`<sup>30</sup> used to give an estimate for the maximum bytes to allocate for this area.

### Throws

---

<sup>28</sup>Section 11.4.3.5.2

<sup>29</sup>Section 11.4.3.13

<sup>30</sup>Section 11.4.3.13

*IllegalArgumentException* when `initial` is null, `maximum` is null, `initial.getEstimate()` is greater than `maximum.getEstimate()`, or if `initial.getEstimate()` is less than zero.

*OutOfMemoryError* when there is insufficient memory for the `LTMemory` object or for the backing memory.

Create an `LTMemory` of the given size.

## `LTMemory(SizeEstimator, SizeEstimator, Runnable)`

### *Signature*

```
public
    LTMemory(SizeEstimator initial, SizeEstimator maximum, Runnable logic)
```

### *Parameters*

*initial* An instance of `SizeEstimator`<sup>31</sup> used to give an estimate of the initial size. This memory must be committed before the completion of the constructor.

*maximum* An instance of `SizeEstimator`<sup>32</sup> used to give an estimate for the maximum bytes to allocate for this area.

*logic* The `run()` of the given `Runnable` will be executed using `this` as its initial memory area. If `logic` is null, this constructor is equivalent to `LTMemory(SizeEstimator initial, SizeEstimator maximum)`<sup>33</sup>.

### *Throws*

*IllegalArgumentException* when `initial` is null, `maximum` is null, `initial.getEstimate()` is greater than `maximum.getEstimate()`, or if `initial.getEstimate()` is less than zero.

*OutOfMemoryError* when there is insufficient memory for the `LTMemory` object or for the backing memory.

*IllegalAssignmentError* when storing `logic` in `this` would violate the assignment rules.

Create an `LTMemory` of the given size.

## `LTMemory(long)`

### *Signature*

---

<sup>31</sup>Section 11.4.3.13

<sup>32</sup>Section 11.4.3.13

<sup>33</sup>Section 11.4.3.5.2

```
public
    LMemory(long size)
```

*Parameters*

*size* The size in bytes of the memory to allocate for this area. This memory must be committed before the completion of the constructor.

*Throws*

*IllegalArgumentException* when *size* is less than zero.

*OutOfMemoryError* when there is insufficient memory for the LMemory object or for the backing memory.

Create an LMemory of the given size. This constructor is equivalent to LMemory(size, size)

Available since RTSJ version RTSJ 1.0.1

## LMemory(long, Runnable)

*Signature*

```
public
    LMemory(long size, Runnable logic)
```

*Parameters*

*size* The size in bytes of the memory to allocate for this area. This memory must be committed before the completion of the constructor.

*logic* The run() of the given Runnable will be executed using this as its initial memory area. If logic is null, this constructor is equivalent to LMemory(long size)<sup>34</sup>.

*Throws*

*IllegalArgumentException* when *size* is less than zero.

*OutOfMemoryError* when there is insufficient memory for the LMemory object or for the backing memory.

*IllegalAssignmentError* when storing logic in this would violate the assignment rules.

Create an LMemory of the given size. This constructor is equivalent to LMemory(size, size, logic).

---

<sup>34</sup>Section 11.4.3.5.2

Available since RTSJ version RTSJ 1.0.1

## LTMemory(SizeEstimator)

*Signature*

```
public
    LTMemory(SizeEstimator size)
```

*Parameters*

*size* An instance of [SizeEstimator](#)<sup>35</sup> used to give an estimate of the initial size. This memory must be committed before the completion of the constructor.

*Throws*

*IllegalArgumentException* when *size* is null, or *size.getEstimate()* is less than zero.

*OutOfMemoryError* when there is insufficient memory for the LTMemory object or for the backing memory.

Create an LTMemory of the given size. This constructor is equivalent to `LTMemory(size, size)`.

Available since RTSJ version RTSJ 1.0.1

## LTMemory(SizeEstimator, Runnable)

*Signature*

```
public
    LTMemory(SizeEstimator size, Runnable logic)
```

*Parameters*

*size* An instance of [SizeEstimator](#)<sup>36</sup> used to give an estimate of the initial size. This memory must be committed before the completion of the constructor.

*logic* The `run()` of the given Runnable will be executed using `this` as its initial memory area. If *logic* is null, this constructor is equivalent to `LTMemory(SizeEstimator initial)`<sup>37</sup>.

---

<sup>35</sup>Section [11.4.3.13](#)

<sup>36</sup>Section [11.4.3.13](#)

<sup>37</sup>Section [11.4.3.5.2](#)

*Throws*

*IllegalArgumentException* when `size` is null, or `size.getEstimate()` is less than zero.

*OutOfMemoryError* when there is insufficient memory for the `LMemory` object or for the backing memory.

*IllegalAssignmentError* when storing logic in `this` would violate the assignment rules.

Create an `LMemory` of the given size.

Available since RTSJ version RTSJ 1.0.1

### 11.4.3.5.3 Methods

---

#### **toString**

*Signature*

```
public
java.lang.String toString()
```

*Returns*

A string representing the value of `this`.

Create a string representation of this object. The string is of the form

(`LMemory`) Scoped memory # num

where num uniquely identifies the `LMemory` area.

### 11.4.3.6 LTPhysicalMemory

---

**Inheritance**

```
java.lang.Object
  javax.realtime.MemoryArea
    javax.realtime.ScopedMemory
      javax.realtime.LTPhysicalMemory
```

An instance of `LTPhysicalMemory` allows objects to be allocated from a range of physical memory with particular attributes, determined by their memory type. This memory area has the same semantics as `ScopedMemory`<sup>38</sup> memory areas, and the

---

<sup>38</sup>Section 11.4.3.12

same performance restrictions as `LMemory`<sup>39</sup>.

No provision is made for sharing object in `LPhysicalMemory` with entities outside the JVM that creates them, and, while the memory backing an instance of `LPhysicalMemory` could be shared by multiple JVMs, the class does not support such sharing.

Methods from `LPhysicalMemory` should be overridden only by methods that use `super`.

#### 11.4.3.6.1 Fields

---

```
base
    private base
```

#### 11.4.3.6.2 Constructors

---

### `LPhysicalMemory(PhysicalMemoryFilter, long)`

#### *Signature*

```
public
    LPhysicalMemory(PhysicalMemoryFilter type, long size)
```

#### *Parameters*

*type* An instance of a physical memory filter that defines the the required characteristics of the physical memory and the required charcateristics of the virtual memory it is to mapped to.

*size* The size of memory required.

#### *Throws*

*IllegalArgumentException* when `size` is less than zero.

*OutOfMemoryError* when there is insufficient memory for the `LPhysicalMemory` object or for the backing memory.

*SizeOutOfBoundsExpection* when the `size` extends into an invalid range of memory.

---

<sup>39</sup>Section [11.4.3.5](#)



*SecurityException* when the application doesn't have permissions to access physical memory or the given type of memory.

Create a physical immortal memory area of the specified type and size.

**Available since RTSJ version RTSJ 2.0**

## **LTPhysicalMemory(PhysicalMemoryFilter, SizeEstimator)**

*Signature*

```
public  
    LTPhysicalMemory(PhysicalMemoryFilter type, SizeEstimator size)
```

*Parameters*

*type* An instance of a physical memory filter that defines the the required characteristics of the physical memory and the required charcateristics of the virtual memory it is to mapped to.

*size* A size estimator for this memory area.

*Throws*

*IllegalArgumentException* when **size** is less than zero.

*OutOfMemoryError* when there is insufficient memory for the LTPhysicalMemory object or for the backing memory.

*SizeOutOfBoundsException* when the **size** extends into an invalid range of memory.

*SecurityException* when the application doesn't have permissions to access physical memory or the given type of memory.

Create a physical immortal memory area of the specified type and size.

**Available since RTSJ version RTSJ 2.0**

## **LTPhysicalMemory(PhysicalMemoryFilter, long, Runnable)**

*Signature*

```
public  
    LTPhysicalMemory(PhysicalMemoryFilter type, long size, Runnable logic)
```

*Parameters*

*type* An instance of a physical memory filter that defines the the required characteristics of the physical memory and the required charcateristics of the virtual memory it is to mapped to.

*size* The size of memory required.

*logic* The `run()` method of this object will be called whenever `MemoryArea.enter()`<sup>40</sup> is called. If `logic` is `null`, `logic` must be supplied when the memory area is entered.

*Throws*

*IllegalArgumentException* when `size` is less than zero.

*OutOfMemoryError* when there is insufficient memory for the `LTPhysicalMemory` object or for the backing memory.

*SizeOutOfBoundsException* when the `size` extends into an invalid range of memory.

*SecurityException* when the application doesn't have permissions to access physical memory or the given type of memory.

Create a physical immortal memory area of the specified type and size.

**Available since RTSJ version RTSJ 2.0**

## **LTPhysicalMemory(PhysicalMemoryFilter, SizeEstimator, Runnable)**

*Signature*

```
public
    LTPhysicalMemory(PhysicalMemoryFilter type, SizeEstimator size, Runnable logic)
```

*Parameters*

*type* An instance of a physical memory filter that defines the the required characteristics of the physical memory and the required charcateristics of the virtual memory it is to mapped to.

*size* A size estimator for this memory area.

*logic* The `run()` method of this object will be called whenever `MemoryArea.enter()`<sup>41</sup> is called. If `logic` is `null`, `logic` must be supplied when the memory area is entered.

*Throws*


---

<sup>40</sup>Section [11.4.3.7.2](#)

<sup>41</sup>Section [11.4.3.7.2](#)

*IllegalArgumentException* when `size` is less than zero.

*OutOfMemoryError* when there is insufficient memory for the `LTPhysicalMemory` object or for the backing memory.

*SizeOutOfBoundsException* when the `size` extends into an invalid range of memory.

*SecurityException* when the application doesn't have permissions to access physical memory or the given type of memory.

Create a physical immortal memory area of the specified type and size.

Available since RTSJ version RTSJ 2.0

### 11.4.3.6.3 Methods

---

#### toString

*Signature*

```
public
java.lang.String toString()
```

*Returns*

A string representing the value of `this`.

Creates a string describing this object. The string is of the form  
(LTPhysicalMemory) Scoped memory # num

where num is a number that uniquely identifies this `LTPhysicalMemory` memory area. representing the value of `this`.

### 11.4.3.7 MemoryArea

---

#### Inheritance

```
java.lang.Object
  javax.realtime.MemoryArea
```

`MemoryArea` is the abstract base class of all classes dealing with the representations of allocatable memory areas, including the immortal memory area, physical memory and scoped memory areas. This is an abstract class, but no method in this class is abstract. An application should not subclass `MemoryArea` without complete knowledge of its implementation details.

### 11.4.3.7.1 Constructors

---

## MemoryArea

*Signature*

```
MemoryArea()
```

Package protected no-arg constructor to make things compile nicely.

## MemoryArea(long)

*Signature*

```
protected  
MemoryArea(long size)
```

*Parameters*

*size* The size of `MemoryArea` to allocate, in bytes.

*Throws*

*IllegalArgumentException* when `size` is less than zero.

*OutOfMemoryError* when there is insufficient memory for the `MemoryArea` object or for the backing memory.

Create an instance of `MemoryArea`.

## MemoryArea(SizeEstimator)

*Signature*

```
protected  
MemoryArea(SizeEstimator size)
```

*Parameters*

*size* A `SizeEstimator`<sup>42</sup> object which indicates the amount of memory required by this `MemoryArea`.

---

<sup>42</sup>Section 11.4.3.13

*Throws*

*IllegalArgumentException* when the `size` parameter is null, or `size.getEstimate()` is negative.

*OutOfMemoryError* when there is insufficient memory for the `MemoryArea` object or for the backing memory.

Create an instance of `MemoryArea`.

## **MemoryArea(long, Runnable)**

*Signature*

```
protected  
    MemoryArea(long size, Runnable logic)
```

*Parameters*

*size* The size of `MemoryArea` to allocate, in bytes.

*logic* The `run()` method of this object will be called whenever `enter()`<sup>43</sup> is called. If `logic` is null, this constructor is equivalent to `MemoryArea(long size)`.

*Throws*

*IllegalArgumentException* when the `size` parameter is less than zero.

*OutOfMemoryError* when there is insufficient memory for the `MemoryArea` object or for the backing memory.

*IllegalAssignmentError* when storing `logic` in `this` would violate the assignment rules.

Create an instance of `MemoryArea`.

## **MemoryArea(SizeEstimator, Runnable)**

*Signature*

```
protected  
    MemoryArea(SizeEstimator size, Runnable logic)
```

*Parameters*

*size* A `SizeEstimator` object which indicates the amount of memory required by this `MemoryArea`.

---

<sup>43</sup>Section [11.4.3.7.2](#)

*logic* The `run()` method of this object will be called whenever `enter()`<sup>44</sup> is called. If `logic` is `null`, this constructor is equivalent to `MemoryArea(SizeEstimator size)`.

*Throws*

*IllegalArgumentException* when `size` is `null` or `size.getEstimate()` is negative.

*OutOfMemoryError* when there is insufficient memory for the `MemoryArea` object or for the backing memory.

*IllegalAssignmentError* when storing `logic` in `this` would violate the assignment rules.

Create an instance of `MemoryArea`.

### 11.4.3.7.2 Methods

---

#### **enter**

*Signature*

```
public
void enter()
```

*Throws*

*IllegalThreadStateException* when the caller is a Java thread.

*IllegalArgumentException* when the caller is a schedulable and no non-null value for `logic` was supplied when the memory area was constructed.

*ThrowBoundaryError* Thrown when the JVM needs to propagate an exception allocated in `this` scope to (or through) the memory area of the caller. Storing a reference to that exception would cause an `IllegalAssignmentError`<sup>45</sup>, so the JVM cannot be permitted to deliver the exception. The `ThrowBoundaryError`<sup>46</sup> is allocated in the current allocation context and contains information about the exception it replaces.

*MemoryAccessError* when caller is a no-heap schedulable and this memory area's `logic` value is allocated in heap memory.

Associate this memory area with the current schedulable for the duration of the execution of the `run()` method of the instance of `Runnable` given in the constructor. During this period of execution, this memory area becomes the default allocation

---

<sup>44</sup>Section 11.4.3.7.2

<sup>45</sup>Section 14.2.3.3

<sup>46</sup>Section 14.2.3.6

context until another default allocation context is selected (using `enter`, or `executeInArea`<sup>47</sup>) or the `enter` method exits.

## `enter(Runnable)`

### *Signature*

```
public
void enter(Runnable logic)
```

### *Parameters*

*logic* The `Runnable` object whose `run()` method should be invoked.

### *Throws*

*IllegalThreadStateException* when the caller is a Java thread.

*IllegalArgumentException* when the caller is a schedulable and `logic` is `null`.

*ThrowBoundaryError* Thrown when the JVM needs to propagate an exception allocated in `this` scope to (or through) the memory area of the caller. Storing a reference to that exception would cause an `IllegalAssignmentError`<sup>48</sup>, so the JVM cannot be permitted to deliver the exception. The `ThrowBoundaryError`<sup>49</sup> is allocated in the current allocation context and contains information about the exception it replaces.

Associate this memory area with the current schedulable for the duration of the execution of the `run()` method of the given `Runnable`. During this period of execution, this memory area becomes the default allocation context until another default allocation context is selected (using `enter`, or `executeInArea`<sup>50</sup>) or the `enter` method exits.

## `enter(java.util.function.Supplier<T>)`

### *Signature*

```
public
T enter(java.util.function.Supplier<T> logic)
```

### *Parameters*

*logic* the object whose `get` method will be executed.

### *Returns*

a result from the computation.

Same as `enter(Runnable)`<sup>51</sup> except that the executed method is called `get` and an object is returned.

---

<sup>47</sup>Section 11.4.3.7.2

<sup>48</sup>Section 14.2.3.3

<sup>49</sup>Section 14.2.3.6

<sup>50</sup>Section 11.4.3.7.2

<sup>51</sup>Section 11.4.3.7.2

## **enter(BooleanSupplier)**

### *Signature*

```
public
boolean enter(BooleanSupplier logic)
```

### *Parameters*

*logic* the object who's get method will be executed.

### *Returns*

a result from the computation.

Same as `enter(Runnable)`<sup>52</sup> except that the executed method is called `get` and a `boolean` is returned.

## **enter(IntSupplier)**

### *Signature*

```
public
int enter(IntSupplier logic)
```

### *Parameters*

*logic* the object who's get method will be executed.

### *Returns*

a result from the computation.

Same as `enter(Runnable)`<sup>53</sup> except that the executed method is called `get` and an `int` is returned.

## **enter(LongSupplier)**

### *Signature*

```
public
long enter(LongSupplier logic)
```

### *Parameters*

*logic* the object who's get method will be executed.

### *Returns*

a result from the computation.

Same as `enter(Runnable)`<sup>54</sup> except that the executed method is called `get` and a `long` is returned.

---

<sup>52</sup>Section 11.4.3.7.2

<sup>53</sup>Section 11.4.3.7.2

<sup>54</sup>Section 11.4.3.7.2



## enter(DoubleSupplier)

### Signature

```
public
double enter(DoubleSupplier logic)
```

### Parameters

*logic* the object whose `get` method will be executed.

### Returns

a result from the computation.

Same as `enter(Runnable)`<sup>55</sup> except that the executed method is called `get` and a `double` is returned.

## getMemoryArea(Object)

### Signature

```
public static
javax.realtime.MemoryArea getMemoryArea(Object object)
```

### Throws

*IllegalArgumentException* when the value of `object` is `null`.

### Returns

The instance of `MemoryArea` from which `object` was allocated.

Gets the `MemoryArea` in which the given object is located.

## memoryConsumed

### Signature

```
public
long memoryConsumed()
```

### Returns

The amount of memory consumed in bytes.

For memory areas where memory is freed under program control this returns an exact count, in bytes, of the memory currently used by the system for the allocated objects. For memory areas (such as heap) where the definition of "used" is imprecise, this returns the best value it can generate in constant time.

## memoryRemaining

### Signature

```
public
```

---

<sup>55</sup>Section [11.4.3.7.2](#)

```
long memoryRemaining()
```

*Returns*

The amount of remaining memory in bytes.

An approximation to the total amount of memory currently available for future allocated objects, measured in bytes.

## **newArray(java.lang.Class, int)**

*Signature*

```
public  
java.lang.Object newArray(java.lang.Class type, int number)
```

*Parameters*

*type* The class of the elements of the new array. To create an array of a primitive type use a `type` such as `Integer.TYPE` (which would call for an array of the primitive `int` type.)

*number* The number of elements in the new array.

*Throws*

*IllegalArgumentException* when `number` is less than zero, `type` is `null`, or `type` is `java.lang.Void.TYPE`.

*OutOfMemoryError* when space in the memory area is exhausted.

*Returns*

A new array of class `type`, of `number` elements.

Allocate an array of the given `type` in this memory area. This method may be concurrently used by multiple threads.

## **newInstance(java.lang.Class)**

*Signature*

```
public  
java.lang.Object newInstance(java.lang.Class type)  
throws InstantiationException, IllegalAccessException
```

*Parameters*

*type* The class of which to create a new instance.

*Throws*

*IllegalAccessException* The class or initializer is inaccessible.

*IllegalArgumentException* when `type` is `null`.

*InstantiationException* when the specified class object could not be instantiated. Possible causes are: it is an interface, it is abstract, it is an array, or an exception was thrown by the constructor.

*OutOfMemoryError* when space in the memory area is exhausted.

*ExceptionInInitializerError* when an unexpected exception has occurred in a static initializer

*SecurityException* when the caller does not have permission to create a new instance.

*Returns*

A new instance of class `type`.

Allocate an object in this memory area. This method may be concurrently used by multiple threads.

## **newInstance(java.lang.reflect.Constructor, java.lang.Object[])**

*Signature*

```
public
java.lang.Object newInstance(java.lang.reflect.Constructor c,
java.lang.Object[] args)
throws IllegalAccessException, InstantiationException,
InvocationTargetException
```

*Parameters*

*c* The constructor for the new instance.

*args* An array of arguments to pass to the constructor.

*Throws*

*ExceptionInInitializerError* when an unexpected exception has occurred in a static initializer

*IllegalAccessException* when the class or initializer is inaccessible under Java access control.

*IllegalArgumentException* when *c* is `null`, or the *args* array does not contain the number of arguments required by *c*. A `null` value of *args* is treated like an array of length 0.

*InstantiationException* when the specified class object could not be instantiated. Possible causes are: it is an interface, it is abstract, it is an array.

*InvocationTargetException* when the underlying constructor throws an exception.

*OutOfMemoryError* when space in the memory area is exhausted.

*Returns*

A new instance of the object constructed by *c*.

Allocate an object in this memory area. This method may be concurrently used by multiple threads.

## **size**

*Signature*

```
public
long size()
```

*Returns*

The size of the memory area in bytes.

Query the size of the memory area. The returned value is the current size. Current size may be larger than initial size for those areas that are allowed to grow.

**executeInArea(Runnable)***Signature*

```
public
void executeInArea(Runnable logic)
```

*Parameters*

*logic* The runnable object whose `run()` method should be executed.

*Throws*

*IllegalArgumentException* when *logic* is null.

Execute the `run` method from the *logic* parameter using this memory area as the current allocation context. The effect of `executeInArea` on the scope stack is specified in the subclasses of `MemoryArea`.

**executeInArea(java.util.function.Supplier;T;)***Signature*

```
public
T executeInArea(java.util.function.Supplier<T> logic)
```

*Parameters*

*logic* the object whose `get` method will be executed.

*Returns*

a result from the computation.

Same as `executeInArea(Runnable)`<sup>56</sup> except that the executed method is called `get` and an object is returned.

**executeInArea(BooleanSupplier)***Signature*

```
public
boolean executeInArea(BooleanSupplier logic)
```

*Parameters*


---

<sup>56</sup>Section 11.4.3.7.2

*logic* the object who's get method will be executed.

*Returns*

a result from the computation.

Same as `executeInArea(Runnable)`<sup>57</sup> except that the executed method is called `get` and a `boolean` is returned.

### **executeInArea(IntSupplier)**

*Signature*

```
public
int executeInArea(IntSupplier logic)
```

*Parameters*

*logic* the object who's get method will be executed.

*Returns*

a result from the computation.

Same as `executeInArea(Runnable)`<sup>58</sup> except that the executed method is called `get` and an `int` is returned.

### **executeInArea(LongSupplier)**

*Signature*

```
public
long executeInArea(LongSupplier logic)
```

*Parameters*

*logic* the object who's get method will be executed.

*Returns*

a result from the computation.

Same as `executeInArea(Runnable)`<sup>59</sup> except that the executed method is called `get` and a `long` is returned.

### **executeInArea(DoubleSupplier)**

*Signature*

```
public
double executeInArea(DoubleSupplier logic)
```

*Parameters*

*logic* the object who's get method will be executed.

---

<sup>57</sup>Section [11.4.3.7.2](#)

<sup>58</sup>Section [11.4.3.7.2](#)

<sup>59</sup>Section [11.4.3.7.2](#)

*Returns*

a result from the computation.

Same as `executeInArea(Runnable)`<sup>60</sup> except that the executed method is called `get` and a `double` is returned.

## visitScopedChildren(ChildScopeVisitor)

*Signature*

```
public
java.lang.Object visitScopedChildren(ChildScopeVisitor visitor)
```

*Parameters*

*visitor* determines the action to be performed on each of the children scopes.

*Throws*

*IllegalArgumentException* when *visitor* is `null`.

*Returns*

`null` when all elements were visited and some object when the visit is forced to terminate at the end of visiting some element.

Perform an action on all children scopes of this memory area, so long as the `ChildScopeVisitor.visit(LocalAllocationContext)` method returns `null`. When that method returns an object, the visit is terminated and that object is returned by this method,

The set of children may be concurrently modified by other tasks, but the view seen by the visitor might not be updated to reflect those changes. The guarantees when the set is disturbed by other tasks are

- the visitor shall visit no member more than once,
- it shall visit only scopes that were a member of the set at some time during the enumeration of the set,
- it shall visit all the scopes that are not deleted during the enumeration of the set,
- it shall visit only scopes that were a member of the set at some time during the enumeration of the set, but need not visit all scopes that became a member of the set during the enumeration of the set, and
- it shall visit all the scopes that are not deleted during the execution of the visitor, but may also visit scopes that were deleted.

When execution of the visitor's `visit` method terminated abruptly by throwing an exception, then execution of `visitScopedChildren` also terminates abruptly by throwing the same exception.

---

<sup>60</sup>Section 11.4.3.7.2

## mayHoldReferenceTo

### Signature

```
public
boolean mayHoldReferenceTo()
```

### Returns

`true` when B can be assigned to a field of A, otherwise `false`.

Determine whether an object A allocated in the memory area represented by `this` can hold a reference to an object B allocated in the current memory area.

## mayHoldReferenceTo(Object)

### Signature

```
public
boolean mayHoldReferenceTo(Object value)
```

### Returns

`true` when `value` can be assigned to a field of A, otherwise `false`.

Determine whether an object A allocated in the memory area represented by `this` can hold a reference to the object `value`.

### 11.4.3.8 MemoryParameters

---

#### Inheritance

```
java.lang.Object
  javax.realtime.MemoryParameters
```

#### Interfaces

```
Cloneable
Serializable
```

Memory parameters can be given on the constructor of [RealtimeThread](#)<sup>61</sup> and [Async-EventHandler](#)<sup>62</sup>. These can be used both for the purposes of admission control by the scheduler and for the purposes of pacing the garbage collector (if any) to satisfy all of the schedulable memory allocation rates.

The limits in a `MemoryParameters` instance are enforced when a schedulable creates a new object, e.g., uses the `new` operation. When a schedulable exceeds its allocation or allocation rate limit, the error is handled as if the allocation failed because of insufficient memory. The object allocation throws an `OutOfMemoryError`.

---

<sup>61</sup>Section 5.3.2.2

<sup>62</sup>Section 8.4.3.5

When a reference to a `MemoryParameters` object is given as a parameter to a constructor, the `MemoryParameters` object becomes bound to the object being created. Changes to the values in the `MemoryParameters` object affect the constructed object. If given to more than one constructor, then changes to the values in the `MemoryParameters` object affect *all* of the associated objects. Note that this is a one-to-many relationship and *not* a many-to-many.

A `MemoryParameters` object may be shared, but that does not cause the memory budgets reflected by the parameter to be shared among the schedulables that are associated with the parameter object.

**Caution:** This class is explicitly unsafe in multithreaded situations when it is being changed. No synchronization is done. It is assumed that users of this class who are mutating instances will be doing their own synchronization at a higher level.

#### 11.4.3.8.1 Fields

---

##### `serialVersionUID`

```
private static final serialVersionUID
```

##### `NO_MAX`

```
public static final NO_MAX
```

Specifies no maximum limit.

#### 11.4.3.8.2 Constructors

---

### `MemoryParameters(long, long)`

#### *Signature*

```
public
    MemoryParameters(long maxMemoryArea, long maxImmortal)
```

#### *Parameters*

*maxMemoryArea* A limit on the amount of memory the schedulable may allocate in its initial memory area. Units are in bytes. If zero, no allocation allowed in the memory area. To specify no limit, use `NO_MAX`.



*maxImmortal* A limit on the amount of memory the schedulable may allocate in the immortal area. Units are in bytes. If zero, no allocation allowed in immortal. To specify no limit, use `NO_MAX`.

*Throws*

*IllegalArgumentException* when any value other than positive. zero, or `NO_MAX` is passed as the value of `maxMemoryArea` or `maxImmortal`.

Create a `MemoryParameters` object with the given values.

## MemoryParameters(long, long, long)

*Signature*

```
public
    MemoryParameters(long maxMemoryArea, long maxImmortal, long allocationRate)
```

*Parameters*

*maxMemoryArea* A limit on the amount of memory the schedulable may allocate in its initial memory area. Units are in bytes. If zero, no allocation allowed in the memory area. To specify no limit, use `NO_MAX`.

*maxImmortal* A limit on the amount of memory the schedulable may allocate in the immortal area. Units are in bytes. If zero, no allocation allowed in immortal. To specify no limit, use `NO_MAX`.

*allocationRate* A limit on the rate of allocation in the heap. Units are in bytes per second of wall clock time. If `allocationRate` is zero, no allocation is allowed in the heap. To specify no limit, use `NO_MAX`. Measurement starts when the schedulable is first released for execution (not when it is constructed.) Enforcement of the allocation rate is an implementation option. If the implementation does not enforce allocation rate limits, it treats all non-zero allocation rate limits as `NO_MAX`.

*Throws*

*IllegalArgumentException* when any value other than positive. zero, or `NO_MAX` is passed as the value of `maxMemoryArea` or `maxImmortal`, or `allocationRate`.

Create a `MemoryParameters` object with the given values.

### 11.4.3.8.3 Methods

---

**associateThread(Schedulable)***Signature*

```
void associateThread(Schedulable t)
```

*Parameters*

*t* The `RealtimeThread` or `AsyncEventHandler` that will use this `MemoryParameters` object for budgeted allocation.

Associates the passed schedulable with this `MemoryParameters` object. This is to implement the many-to-one functionality of `MemoryParameters`, specifically this is to facilitate the requirements of `setMaxMemoryArea` and `setMaxImmortal`.

**Available since RTSJ version RTSJ 1.0.1** Changed the parameter type to `Schedulable`, and caused the method to throw `UnsupportedOperationException` if the parameter does not reference a schedulable.

**clone***Signature*

```
public
java.lang.Object clone()
```

Return a clone of `this`. This method should behave effectively as if it constructed a new object with the visible values of `this`.

- The new object is in the current allocation context.
- `clone` does not copy any associations from `this` and it does not implicitly bind the new object to a SO.
- 

**Available since RTSJ version RTSJ 1.0.1**

**deassociateThread(RealtimeThread)***Signature*

```
void deassociateThread(RealtimeThread t)
```

*Parameters*

*t* `RealtimeThread` object that will no longer be using this `MemoryParameters` object for budgeted allocation.

De-associates or removes the `RealtimeThread` object passed with this `MemoryParameters` object. This is to implement the many-to-one functionality of `MemoryParameters`, specifically this is to facilitate the requirements of `setMaxMemoryArea` and `setMaxImmortal`.

## **getAllocationRate**

### *Signature*

```
public  
long getAllocationRate()
```

### *Returns*

The allocation rate in bytes per second. If zero, no allocation is allowed in the heap. If the returned value is `NO_MAX`<sup>63</sup> then the allocation rate on the heap is uncontrolled.

Gets the limit on the rate of allocation in the heap. Units are in bytes per second.

## **getMaxImmortal**

### *Signature*

```
public  
long getMaxImmortal()
```

### *Returns*

The limit on immortal memory allocation. If zero, no allocation is allowed in immortal memory. If the returned value is `NO_MAX`<sup>64</sup> then there is no limit for allocation in immortal memory.

Gets the limit on the amount of memory the schedulable may allocate in the immortal area. Units are in bytes.

## **getMaxMemoryArea**

### *Signature*

```
public  
long getMaxMemoryArea()
```

### *Returns*

The allocation limit in the schedulable's initial memory area. If zero, no allocation is allowed in the initial memory area. If the returned value is `NO_MAX`<sup>65</sup> then there is no limit for allocation in the initial memory area.

---

<sup>63</sup>Section [11.4.3.8.1](#)

<sup>64</sup>Section [11.4.3.8.1](#)

<sup>65</sup>Section [11.4.3.8.1](#)

Gets the limit on the amount of memory the schedulable may allocate in its initial memory area. Units are in bytes.

### **setAllocationRate(long)**

#### *Signature*

```
public
void setAllocationRate(long allocationRate)
```

#### *Parameters*

*allocationRate* Units are in bytes per second of wall-clock time. If `allocationRate` is zero, no allocation is allowed in the heap. To specify no limit, use `NO_MAX`. Measurement starts when the schedulable starts (not when it is constructed.) Enforcement of the allocation rate is an implementation option. If the implementation does not enforce allocation rate limits, it treats all non-zero allocation rate limits as `NO_MAX`.

#### *Throws*

*IllegalArgumentException* when any value other than positive, zero, or `NO_MAX` is passed as the value of `allocationRate`.

Sets the limit on the rate of allocation in the heap.

### **11.4.3.9 NewPhysicalMemoryManager**

---

#### **Inheritance**

```
java.lang.Object
  javax.realtime.NewPhysicalMemoryManager
```

Each physical memory module can have more than one physical memory characteristic.

A physical memory characteristic can apply to many physical memory modules:

The `NewPhysicalMemoryManager` determines the physical addresses from the modules and keeps a relation between `PhysicalMemoryModule` <-> `Physical Memory Addresses`

The range of physical addresses of modules should not overlap.

To find a memory range that supports PMC A and PMC B uses set intersection

```
modules(A) $
cap$ modules(B)
```

Need to consider exceptions that can be raised.

**Available since RTSJ version RTSJ 2.0**

### 11.4.3.9.1 Constructors

---

## NewPhysicalMemoryManager

### Signature

```
public
    NewPhysicalMemoryManager()
```

### 11.4.3.9.2 Methods

---

## associate(PhysicalMemoryCharacteristic, PhysicalMemoryModule)

### Signature

```
public static
void associate(PhysicalMemoryCharacteristic name,
    PhysicalMemoryModule module)
```

### Parameters

*name* is the physical memory characteristic. e.g STATIC\_RAM.

*module* is the object representing a range of contiguous physical addresses

### Throws

*IllegalArgumentException* if either *name* or *module* is null

Associates a programmer-defined name with a physical address range.

## associate(javax.realtime.PhysicalMemoryCharacteristic[], PhysicalMemoryModule)

### Signature

```
public static
void associate(javax.realtime.PhysicalMemoryCharacteristic[]
    names, PhysicalMemoryModule module)
```

### Parameters

*names* is the array of physical memory characteristics. e.g STATIC\_RAM.

*module* is the object representing a range of contiguous physical addresses

*Throws*

*IllegalArgumentException* if either names or module is null

Associates an array of programmer-defined names with a physical address range.

**associate(PhysicalMemoryCharacteristic, javax.realtime.PhysicalM**

*Signature*

```
public static
void associate(PhysicalMemoryCharacteristic name,
    javax.realtime.PhysicalMemoryModule [] modules)
```

*Parameters*

*name* is the physical memory characteristic. e.g STATIC\_RAM.

*modules* is an array of objects each representing a range of contiguous physical addresses

*Throws*

*IllegalArgumentException* if either name or modules is null

Associates a programmer-defined name with an array of physical address ranges.

**createFilter(javax.realtime.PhysicalMemoryCharacteristic[], NewPhysicalMemoryManager.CachingBehavior, NewPhysicalMemoryManager.PagingBehavior)**

*Signature*

```
public static
javax.realtime.PhysicalMemoryFilter create-
Filter(javax.realtime.PhysicalMemoryCharacteristic [] PMcharac-
    teristics, NewPhysicalMemoryManager.CachingBehavior cacheBehav-
    ior, NewPhysicalMemoryManager.PagingBehavior pageBehavior)
```

*Parameters*

*PMcharacteristics* is an array of required physical memory characteristics.

*cacheBehavior* is the required caching behavior for mapped memory

*pageBehavior* is the required paging behavior for mapped memory

*Throws*

*IllegalArgumentException* when any of *PMcharacteristics* or *cacheBehavior* or *pageBehavior* is null

*IllegalStateException* if the required paging or caching behavior is not settable.

Create a filter that will determine the appropriate place in physical memory that meets the required physical memory characteristics and map it into virtual memory with the given characteristic.

**Open issue:** name of exception **End of open issue**  
**Available since RTSJ version RTSJ 2.0**

## getSupportedCachingBehavior

*Signature*

```
public static  
javax.realtime.NewPhysicalMemoryManager.CachingBehavior []  
getSupportedCachingBehavior()
```

*Returns*

an array of the supported cacheing behaviors.  
Get the cacheing behaviors that are supported by this JVM

**Available since RTSJ version RTSJ 2.0**

## getSupportedPagingBehavior

*Signature*

```
public static  
javax.realtime.NewPhysicalMemoryManager.PagingBehavior []  
getSupportedPagingBehavior()
```

*Returns*

an array of the supported paging behaviors.  
Get the paging behaviors that are supported by this JVM

**Available since RTSJ version RTSJ 2.0**

### 11.4.3.10 PhysicalMemoryModule

---

#### **Inheritance**

```
java.lang.Object  
  javax.realtime.PhysicalMemoryModule
```

A class that allows a range of physical memory addresses to be specified.

**Available since RTSJ version RTSJ 2.0**

### 11.4.3.10.1 Constructors

---

## PhysicalMemoryModule(long, long)

### *Signature*

```
public  
    PhysicalMemoryModule(long base, long length)
```

### *Parameters*

*base* is a physical address

*length* is size of contiguous memory from that base

### *Throws*

*IllegalArgumentException* if length is less than or equal to 0, or if base is less than 0 or if this module overlaps with another memory module.

*SizeOutOfBounds* if base + length is greater than the physical address range of the processor

Creates an instance representing a range of contiguous physical memory.

### 11.4.3.10.2 Methods

---

## getBase

### *Signature*

```
public  
    long getBase()
```

### *Returns*

the base address

Gets the base address of the contiguous memory represented by this.

## getLength

### *Signature*

```
public  
    long getLength()
```

### *Returns*



the length  
Gets the length of the contiguous memory represented by this.

#### 11.4.3.11 PinnableMemory

---

##### Inheritance

```
java.lang.Object
  javax.realtime.MemoryArea
    javax.realtime.ScopedMemory
      javax.realtime.PinnableMemory
```

**Open issue:** should this be a separate class from `StackedMemory`<sup>66</sup>? **End of open issue**

#### 11.4.3.11.1 Constructors

---

### PinnableMemory(long)

#### *Signature*

```
public
  PinnableMemory(long size)
```

### PinnableMemory(SizeEstimator)

#### *Signature*

```
public
  PinnableMemory(SizeEstimator size)
```

#### 11.4.3.11.2 Methods

---

---

<sup>66</sup>Section [11.4.3.14](#)

**pin***Signature*

```
public
void pin()
```

**unpin***Signature*

```
public
void unpin()
```

**isPinned***Signature*

```
public
boolean isPinned()
```

**getPinCount***Signature*

```
public
int getPinCount()
```

**joinPinned***Signature*

```
public
void joinPinned()
throws InterruptedException
```

**joinPinned(HighResolutionTime)***Signature*

```
public
void joinPinned(HighResolutionTime timeIn)
throws InterruptedException
```

## **joinPinnedAndEnter(Runnable)**

### *Signature*

```
public
void joinPinnedAndEnter(Runnable logic)
throws InterruptedException, ScopedCycleException
```

## **joinPinnedAndEnter(Runnable, HighResolutionTime)**

### *Signature*

```
public
void joinPinnedAndEnter(Runnable logic, HighResolutionTime
timeIn)
throws InterruptedException, ScopedCycleException
```

## **joinPinnedAndEnter**

### *Signature*

```
public
void joinPinnedAndEnter()
throws InterruptedException, IllegalThreadStateException,
ThrowBoundaryError, ScopedCycleException, MemoryAccessError
```

## **joinPinnedAndEnter(HighResolutionTime)**

### *Signature*

```
public
void joinPinnedAndEnter(HighResolutionTime time)
throws InterruptedException, IllegalThreadStateException,
IllegalArgumentException, UnsupportedOperationException,
ThrowBoundaryError, ScopedCycleException, MemoryAccessError
```

### **11.4.3.12 ScopedMemory**

---

#### **Inheritance**

```
java.lang.Object
  javax.realtime.MemoryArea
    javax.realtime.ScopedMemory
```

`ScopedMemory` is the abstract base class of all classes dealing with representations of memory spaces which have a limited lifetime. In general, objects allocated in scoped memory are freed when (and only when) no schedulable object has access to the objects in the scoped memory.

A `ScopedMemory` area is a connection to a particular region of memory and reflects the current status of that memory. The object does not necessarily contain direct references to the region of memory. That is implementation dependent.

When a `ScopedMemory` area is instantiated, the object itself is allocated from the current memory allocation context, but the memory space that object represents (it's backing store) is allocated from memory that is not otherwise directly visible to Java code; e.g., it might be allocated with the C `malloc` function. This backing store behaves effectively as if it were allocated when the associated scoped memory object is constructed and freed at that scoped memory object's finalization.

The `ScopedMemory.enter`<sup>67</sup> method of `ScopedMemory` is one mechanism used to make a memory area the current allocation context. The other mechanism for activating a memory area is making it the initial memory area for a realtime thread or async event handler. Entry into the scope is accomplished, for example, by calling the

```
public void enter(Runnable logic)
```

where `logic` is a instance of `Runnable` whose `run()` method represents the entry point of the code that will run in the new scope. Exit from the scope occurs between the time the `runnable.run()` method completes and the time control returns from the `enter` method. By default, allocations of objects within `runnable.run()` are taken from the backing store of the `ScopedMemory`.

`ScopedMemory` is an abstract class, but all specified methods include implementations. The responsibilities of `MemoryArea`, `ScopedMemory` and the classes that extend `ScopedMemory` are not specified. Application code should not extend `ScopedMemory` without detailed knowledge of its implementation.

#### 11.4.3.12.1 Constructors

---

### `ScopedMemory(long)`

*Signature*

```
public
    ScopedMemory(long size)
```

---

<sup>67</sup>Section 11.4.3.12.2

*Parameters*

*size* of the new `ScopedMemory` area in bytes.

*Throws*

*IllegalArgumentException* when `size` is less than zero.

*OutOfMemoryError* when there is insufficient memory for the `ScopedMemory` object or for the backing memory.

Create a new `ScopedMemory` area with the given parameters.

## ScopedMemory(long, Runnable)

*Signature*

```
public
    ScopedMemory(long size, Runnable logic)
```

*Parameters*

*size* The size of the new `ScopedMemory` area in bytes.

*logic* The `Runnable` to execute when this `ScopedMemory` is entered. If `logic` is `null`, this constructor is equivalent to constructing the memory area without a logic value.

*Throws*

*IllegalArgumentException* when `size` is less than zero.

*IllegalAssignmentError* when storing `logic` in `this` would violate the assignment rules.

*OutOfMemoryError* when there is insufficient memory for the `ScopedMemory` object or for the backing memory.

Create a new `ScopedMemory` area with the given parameters.

## ScopedMemory(SizeEstimator)

*Signature*

```
public
    ScopedMemory(SizeEstimator size)
```

*Parameters*

*size* The size of the new `ScopedMemory` area estimated by an instance of `SizeEstimator`<sup>68</sup>.

---

<sup>68</sup>Section 11.4.3.13

*Throws*

*IllegalArgumentException* when `size` is `null`, or `size.getEstimate()` is negative.

*OutOfMemoryError* when there is insufficient memory for the `ScopedMemory` object or for the backing memory.

Create a new `ScopedMemory` area with the given parameters.

**ScopedMemory(SizeEstimator, Runnable)***Signature*

```
public
    ScopedMemory(SizeEstimator size, Runnable logic)
```

*Parameters*

*size* The size of the new `ScopedMemory` area estimated by an instance of `SizeEstimator`<sup>69</sup>.

*logic* The logic which will use the memory represented by `this` as its initial memory area. If `logic` is `null`, this constructor is equivalent to constructing the memory area without a logic value.

*Throws*

*IllegalArgumentException* when `size` is `null`, or `size.getEstimate()` is negative.

*OutOfMemoryError* when there is insufficient memory for the `ScopedMemory` object or for the backing memory.

*IllegalAssignmentError* when storing `logic` in `this` would violate the assignment rules.

Create a new `ScopedMemory` area with the given parameters.

**11.4.3.12.2 Methods****enter***Signature*

```
public
    void enter()
```

*Throws*

<sup>69</sup>Section [11.4.3.13](#)

*ScopedCycleException* when this invocation would break the single parent rule.  
*ThrowBoundaryError* Thrown when the JVM needs to propagate an exception allocated in **this** scope to (or through) the memory area of the caller. Storing a reference to that exception would cause an [IllegalAssignmentError](#)<sup>70</sup>, so the JVM cannot be permitted to deliver the exception. The [ThrowBoundaryError](#)<sup>71</sup> is allocated in the current allocation context and contains information about the exception it replaces.

*IllegalThreadStateException* when the caller is a Java thread, or if this method is invoked during finalization of objects in scoped memory and entering this scoped memory area would force deletion of the SO that triggered finalization. This would include the scope containing the SO, and the scope (if any) containing the scope containing the SO.

*IllegalArgumentException* @inheritDoc

*MemoryAccessError* @inheritDoc

Associate this memory area with the current schedulable for the duration of the execution of the `run()` method of the instance of `Runnable` given in the constructor. During this period of execution, this memory area becomes the default allocation context until another default allocation context is selected (using `enter`, or `executeInArea`<sup>72</sup>) or the `enter` method exits.

## enter(Runnable)

### Signature

```
public
void enter(Runnable logic)
```

### Parameters

*logic* @inheritDoc

### Throws

*ScopedCycleException* when this invocation would break the single parent rule.  
*ThrowBoundaryError* Thrown when the JVM needs to propagate an exception allocated in **this** scope to (or through) the memory area of the caller. Storing a reference to that exception would cause an [IllegalAssignmentError](#)<sup>73</sup>, so the JVM cannot be permitted to deliver the exception. The [ThrowBoundaryError](#)<sup>74</sup> is allocated in the current allocation context and contains information about the exception it replaces.

---

<sup>70</sup>Section [14.2.3.3](#)

<sup>71</sup>Section [14.2.3.6](#)

<sup>72</sup>Section [11.4.3.12.2](#)

<sup>73</sup>Section [14.2.3.3](#)

<sup>74</sup>Section [14.2.3.6](#)

*IllegalThreadStateException* when the caller is a Java thread, or if this method is invoked during finalization of objects in scoped memory and entering this scoped memory area would force deletion of the SO that triggered finalization. This would include the scope containing the SO, and the scope (if any) containing the scope containing the SO.

*IllegalArgumentException* @inheritDoc

Associate this memory area with the current schedulable for the duration of the execution of the `run()` method of the given `Runnable`. During this period of execution, this memory area becomes the default allocation context until another default allocation context is selected (using `enter`, or `executeInArea`<sup>75</sup>) or the `enter` method exits.

## `enter(java.util.function.Supplier<T>)`

*Signature*

```
public
T enter(java.util.function.Supplier<T> logic)
```

*Parameters*

*logic* the object whose `get` method will be executed.

*Returns*

a result from the computation.

Same as `enter(Runnable)`<sup>76</sup> except that the executed method is called `get` and an object is returned.

## `enter(BooleanSupplier)`

*Signature*

```
public
boolean enter(BooleanSupplier logic)
```

*Parameters*

*logic* the object whose `get` method will be executed.

*Returns*

a result from the computation.

Same as `enter(Runnable)`<sup>77</sup> except that the executed method is called `get` and a `boolean` is returned.

---

<sup>75</sup>Section 11.4.3.12.2

<sup>76</sup>Section 11.4.3.12.2

<sup>77</sup>Section 11.4.3.12.2



## **enter(IntSupplier)**

### *Signature*

```
public
int enter(IntSupplier logic)
```

### *Parameters*

*logic* the object who's get method will be executed.

### *Returns*

a result from the computation.

Same as `enter(Runnable)`<sup>78</sup> except that the executed method is called `get` and an `int` is returned.

## **enter(LongSupplier)**

### *Signature*

```
public
long enter(LongSupplier logic)
```

### *Parameters*

*logic* the object who's get method will be executed.

### *Returns*

a result from the computation.

Same as `enter(Runnable)`<sup>79</sup> except that the executed method is called `get` and a `long` is returned.

## **enter(DoubleSupplier)**

### *Signature*

```
public
double enter(DoubleSupplier logic)
```

### *Parameters*

*logic* the object who's get method will be executed.

### *Returns*

a result from the computation.

Same as `enter(Runnable)`<sup>80</sup> except that the executed method is called `get` and a `double` is returned.

---

<sup>78</sup>Section 11.4.3.12.2

<sup>79</sup>Section 11.4.3.12.2

<sup>80</sup>Section 11.4.3.12.2

**executeInArea(Runnable)***Signature*

```
public
void executeInArea(Runnable logic)
```

*Parameters*

*logic* The runnable object whose `run()` method should be executed.

*Throws*

*IllegalThreadStateException* when the caller is a Java thread.

*InaccessibleAreaException* when the memory area is not in the schedulable's scope stack.

*IllegalArgumentException* when the caller is a schedulable and `logic` is `null`.

Execute the `run` method from the `logic` parameter using this memory area as the current allocation context. This method behaves as if it moves the allocation context down the scope stack to the occurrence of `this`.

**executeInArea(java.util.function.Supplier;T;)***Signature*

```
public
T executeInArea(java.util.function.Supplier<T> logic)
```

*Parameters*

*logic* the object who's `get` method will be executed.

*Returns*

a result from the computation.

Same as `executeInArea(Runnable)`<sup>81</sup> except that the executed method is called `get` and an object is returned.

**executeInArea(BooleanSupplier)***Signature*

```
public
boolean executeInArea(BooleanSupplier logic)
```

*Parameters*

*logic* the object who's `get` method will be executed.

*Returns*

a result from the computation.

Same as `executeInArea(Runnable)`<sup>82</sup> except that the executed method is called `get` and a `boolean` is returned.

---

<sup>81</sup>Section 11.4.3.12.2

<sup>82</sup>Section 11.4.3.12.2

## **executeInArea(IntSupplier)**

### *Signature*

```
public
int executeInArea(IntSupplier logic)
```

### *Parameters*

*logic* the object who's get method will be executed.

### *Returns*

a result from the computation.

Same as `executeInArea(Runnable)`<sup>83</sup> except that the executed method is called `get` and an `int` is returned.

## **executeInArea(LongSupplier)**

### *Signature*

```
public
long executeInArea(LongSupplier logic)
```

### *Parameters*

*logic* the object who's get method will be executed.

### *Returns*

a result from the computation.

Same as `executeInArea(Runnable)`<sup>84</sup> except that the executed method is called `get` and a `long` is returned.

## **executeInArea(DoubleSupplier)**

### *Signature*

```
public
double executeInArea(DoubleSupplier logic)
```

### *Parameters*

*logic* the object who's get method will be executed.

### *Returns*

a result from the computation.

Same as `executeInArea(Runnable)`<sup>85</sup> except that the executed method is called `get` and a `double` is returned.

---

<sup>83</sup>Section [11.4.3.12.2](#)

<sup>84</sup>Section [11.4.3.12.2](#)

<sup>85</sup>Section [11.4.3.12.2](#)

## getPortal

### Signature

```
public
java.lang.Object getPortal()
```

### Throws

*IllegalAssignmentError* when a reference to the portal object cannot be stored in the caller's allocation context; that is, if `this` is "inner" relative to the current allocation context or not on the caller's scope stack.

*IllegalThreadStateException* when the caller is a Java thread.

### Returns

A reference to the portal object or `null` if there is no portal object. The portal value is always set to `null` when the contents of the memory are deleted.

Return a reference to the portal object in this instance of `ScopedMemory`.

Assignment rules are enforced on the value returned by `getPortal` as if the return value were first stored in an object allocated in the current allocation context, then moved to its final destination.

## getReferenceCount

### Signature

```
public
int getReferenceCount()
```

### Returns

The reference count of this `ScopedMemory`.

Returns the reference count of this `ScopedMemory`.

**Note:** A reference count of 0 reliably means that the scope is not referenced, but other reference counts are subject to artifacts of lazy/eager maintenance by the implementation.

## join

### Signature

```
public
void join()
throws InterruptedException
```

### Throws

*InterruptedException* If this schedulable is interrupted by `RealtimeThread.interrupt()` or `AsynchronouslyInterruptedException.fire()`<sup>87</sup> while waiting for the ref-

---

<sup>86</sup>Section 5.3.2.2.2

<sup>87</sup>Section 8.4.2.1.3

reference count to go to zero.

*IllegalThreadStateException* when the caller is a Java thread.

Wait until the reference count of this `ScopedMemory` goes down to zero. Return immediately if the memory is unreferenced.

## **join(HighResolutionTime)**

### *Signature*

```
public
void join(HighResolutionTime time)
throws InterruptedException
```

### *Parameters*

*time* If this time is an absolute time, the wait is bounded by that point in time. If the time is a relative time (or a member of the `RationalTime` subclass of `RelativeTime`) the wait is bounded by a the specified interval from some time between the time `join` is called and the time it starts waiting for the reference count to reach zero.

### *Throws*

*InterruptedException* If this schedulable is interrupted by `RealtimeThread.interrupt()`<sup>88</sup> or `AsynchronouslyInterruptedException.fire()`<sup>89</sup> while waiting for the reference count to go to zero.

*IllegalThreadStateException* when the caller is a Java thread.

*IllegalArgumentException* when the caller is a schedulable and `time` is `null`.

*UnsupportedOperationException* when the wait operation is not supported using the clock associated with `time`.

Wait at most until the time designated by the `time` parameter for the reference count of this `ScopedMemory` to drop to zero. Return immediately if the memory area is unreferenced.

Since the time is expressed as a `HighResolutionTime`<sup>90</sup>, this method is an accurate timer with nanosecond granularity. The actual resolution of the timer and even the quantity it measures depends on the clock associated with `time`. The delay time may be relative or absolute. If relative, then the delay is the amount of time given by `time`, and measured by its associated clock. If absolute, then the delay is until the indicated value is reached by the clock. If the given absolute time is less than or equal to the current value of the clock, the call to `join` returns immediately.

---

<sup>88</sup>Section 5.3.2.2.2

<sup>89</sup>Section 8.4.2.1.3

<sup>90</sup>Section 9.4.1.2

## joinAndEnter

### Signature

```
public
void joinAndEnter()
throws InterruptedException
```

### Throws

*InterruptedException* If this schedulable is interrupted by `RealtimeThread.interrupt()` or `AsynchronouslyInterruptedException.fire()`<sup>92</sup> while waiting for the reference count to go to zero.

*IllegalThreadStateException* when the caller is a Java thread, or if this method is invoked during finalization of objects in scoped memory and entering this scoped memory area would force deletion of the SO that triggered finalization. This would include the scope containing the SO, and the scope (if any) containing the scope containing the SO.

*ThrowBoundaryError* Thrown when the JVM needs to propagate an exception allocated in `this` scope to (or through) the memory area of the caller. Storing a reference to that exception would cause an `IllegalAssignmentError`<sup>93</sup>, so the JVM cannot be permitted to deliver the exception. The `ThrowBoundaryError`<sup>94</sup> is allocated in the current allocation context and contains information about the exception it replaces.

*ScopedCycleException* when this invocation would break the single parent rule.

*IllegalArgumentException* when the caller is a schedulable and no non-null `logic` value was supplied to the memory area's constructor.

*MemoryAccessError* when caller is a non-heap schedulable and this memory area's `logic` value is allocated in heap memory.

In the error-free case, `joinAndEnter` combines `join();enter();` such that no `enter()` from another schedulable can intervene between the two method invocations. The resulting method will wait for the reference count on this `ScopedMemory` to reach zero, then enter the `ScopedMemory` and execute the `run` method from `logic` passed in the constructor. If no instance of `Runnable` was passed to the memory area's constructor, the method throws `IllegalArgumentException` immediately.

If multiple threads are waiting in `joinAndEnter` family methods for a memory area, at most *one* of them will be released each time the reference count goes to zero.

Note that although `joinAndEnter` guarantees that the reference count is zero when the schedulable is released for entry, it does not guarantee that the reference

---

<sup>91</sup>Section 5.3.2.2.2

<sup>92</sup>Section 8.4.2.1.3

<sup>93</sup>Section 14.2.3.3

<sup>94</sup>Section 14.2.3.6

count will remain one for any length of time. A subsequent `enter` could raise the reference count to two.

## `joinAndEnter(HighResolutionTime)`

### *Signature*

```
public
void joinAndEnter(HighResolutionTime time)
throws InterruptedException
```

### *Parameters*

*time* The time that bounds the wait.

### *Throws*

*ThrowBoundaryError* Thrown when the JVM needs to propagate an exception allocated in `this` scope to (or through) the memory area of the caller. Storing a reference to that exception would cause an `IllegalAssignmentError`<sup>95</sup>, so the JVM cannot be permitted to deliver the exception. The `ThrowBoundaryError`<sup>96</sup> is allocated in the current allocation context and contains information about the exception it replaces.

*InterruptedException* If this schedulable is interrupted by `RealtimeThread.interrupt()`<sup>97</sup> or `AsynchronouslyInterruptedException.fire()`<sup>98</sup> while waiting for the reference count to go to zero.

*IllegalThreadStateException* when the caller is a Java thread, or if this method is invoked during finalization of objects in scoped memory and entering this scoped memory area would force deletion of the SO that triggered finalization. This would include the scope containing the SO, and the scope (if any) containing the scope containing the SO.

*ScopedCycleException* when the caller is a schedulable and this invocation would break the single parent rule.

*IllegalArgumentException* when the caller is a schedulable, and `time` is `null` or no non-`null` `logic` value was supplied to the memory area's constructor.

*UnsupportedOperationException* when the wait operation is not supported using the clock associated with `time`.

*MemoryAccessError* when caller is a no-heap schedulable and this memory area's `logic` value is allocated in heap memory.

In the error-free case, `joinAndEnter` combines `join();enter();` such that no `enter()` from another schedulable can intervene between the two method invocations. The resulting method will wait for the reference count on this `ScopedMemory` to reach

---

<sup>95</sup>Section 14.2.3.3

<sup>96</sup>Section 14.2.3.6

<sup>97</sup>Section 5.3.2.2.2

<sup>98</sup>Section 8.4.2.1.3

zero, or for the current time to reach the designated time, then enter the `ScopedMemory` and execute the `run` method from `Runnable` object passed to the constructor. If no instance of `Runnable` was passed to the memory area's constructor, the method throws `IllegalArgumentException` immediately. \*

If multiple threads are waiting in `joinAndEnter` family methods for a memory area, at most *one* of them will be released each time the reference count goes to zero.

Since the time is expressed as a `HighResolutionTime`<sup>99</sup>, this method has an accurate timer with nanosecond granularity. The actual resolution of the timer and even the quantity it measures depends on the clock associated with `time`. The delay time may be relative or absolute. If relative, then the calling thread is blocked for at most the amount of time given by `time`, and measured by its associated clock. If absolute, then the time delay is until the indicated value is reached by the clock. If the given absolute time is less than or equal to the current value of the clock, the call to `joinAndEnter` behaves effectively like `enter`<sup>100</sup>.

Note that expiration of `time` may cause control to enter the memory area before its reference count has gone to zero.

## `joinAndEnter(Runnable)`

### *Signature*

```
public
void joinAndEnter(Runnable logic)
throws InterruptedException
```

### *Parameters*

*logic* The `Runnable` object which contains the code to execute.

### *Throws*

*InterruptedException* If this schedulable is interrupted by `RealtimeThread.interrupt()` or `AsynchronouslyInterruptedException.fire()`<sup>102</sup> while waiting for the reference count to go to zero.

*IllegalThreadStateException* when the caller is a Java thread, or if this method is invoked during finalization of objects in scoped memory and entering this scoped memory area would force deletion of the SO that triggered finalization. This would include the scope containing the SO, and the scope (if any) containing the scope containing the SO.

*ThrowBoundaryError* Thrown when the JVM needs to propagate an exception allocated in `this` scope to (or through) the memory area of the caller. Storing

---

<sup>99</sup>Section 9.4.1.2

<sup>100</sup>Section 11.4.3.12.2

<sup>101</sup>Section 5.3.2.2.2

<sup>102</sup>Section 8.4.2.1.3



a reference to that exception would cause an `IllegalAssignmentError`<sup>103</sup>, so the JVM cannot be permitted to deliver the exception. The `ThrowBoundaryError`<sup>104</sup> is allocated in the current allocation context and contains information about the exception it replaces.

`ScopedCycleException` when this invocation would break the single parent rule.

`IllegalArgumentException` when the caller is a schedulable and `logic` is `null`.

In the error-free case, `joinAndEnter` combines `join();enter();` such that no `enter()` from another schedulable can intervene between the two method invocations. The resulting method will wait for the reference count on this `ScopedMemory` to reach zero, then enter the `ScopedMemory` and execute the `run` method from `logic`

If `logic` is `null`, throw `IllegalArgumentException` immediately.

If multiple threads are waiting in `joinAndEnter` family methods for a memory area, at most *one* of them will be released each time the reference count goes to zero.

Note that although `joinAndEnter` guarantees that the reference count is zero when the schedulable is released for entry, it does not guarantee that the reference count will remain one for any length of time. A subsequent `enter` could raise the reference count to two.

## `joinAndEnter(java.util.function.Supplier<T>)`

### *Signature*

```
public
T joinAndEnter(java.util.function.Supplier<T> logic)
```

### *Parameters*

`logic` the object whose `get` method will be executed.

### *Returns*

a result from the computation.

Same as `joinAndEnter(Runnable)`<sup>105</sup> except that the executed method is called `get` and an object is returned.

## `joinAndEnter(BooleanSupplier)`

### *Signature*

```
public
boolean joinAndEnter(BooleanSupplier logic)
```

### *Parameters*

---

<sup>103</sup>Section 14.2.3.3

<sup>104</sup>Section 14.2.3.6

<sup>105</sup>Section 11.4.3.12.2

*logic* the object who's get method will be executed.

*Returns*

a result from the computation.

Same as `joinAndEnter(Runnable)`<sup>106</sup> except that the executed method is called `get` and a `boolean` is returned.

## **joinAndEnter(IntSupplier)**

*Signature*

```
public
int joinAndEnter(IntSupplier logic)
```

*Parameters*

*logic* the object who's get method will be executed.

*Returns*

a result from the computation.

Same as `joinAndEnter(Runnable)`<sup>107</sup> except that the executed method is called `get` and an `int` is returned.

## **joinAndEnter(LongSupplier)**

*Signature*

```
public
long joinAndEnter(LongSupplier logic)
```

*Parameters*

*logic* the object who's get method will be executed.

*Returns*

a result from the computation.

Same as `joinAndEnter(Runnable)`<sup>108</sup> except that the executed method is called `get` and a `long` is returned.

## **joinAndEnter(DoubleSupplier)**

*Signature*

```
public
double joinAndEnter(DoubleSupplier logic)
```

*Parameters*

*logic* the object who's get method will be executed.

---

<sup>106</sup>Section [11.4.3.12.2](#)

<sup>107</sup>Section [11.4.3.12.2](#)

<sup>108</sup>Section [11.4.3.12.2](#)

*Returns*

a result from the computation.

Same as `joinAndEnter(Runnable)`<sup>109</sup> except that the executed method is called `get` and a `double` is returned.

**joinAndEnter(Runnable, HighResolutionTime)***Signature*

```
public
void joinAndEnter(Runnable logic, HighResolutionTime time)
throws InterruptedException
```

*Parameters*

*logic* The `Runnable` object which contains the code to execute.

*time* The time that bounds the wait.

*Throws*

*InterruptedException* If this schedulable is interrupted by `RealtimeThread.interrupt()`<sup>110</sup> or `AsynchronouslyInterruptedException.fire()`<sup>111</sup> while waiting for the reference count to go to zero.

*IllegalThreadStateException* when the caller is a Java thread, or if this method is invoked during finalization of objects in scoped memory and entering this scoped memory area would force deletion of the SO that triggered finalization. This would include the scope containing the SO, and the scope (if any) containing the scope containing the SO.

*ThrowBoundaryError* Thrown when the JVM needs to propagate an exception allocated in `this` scope to (or through) the memory area of the caller. Storing a reference to that exception would cause an `IllegalAssignmentError`<sup>112</sup>, so the JVM cannot be permitted to deliver the exception. The `ThrowBoundaryError`<sup>113</sup> is allocated in the current allocation context and contains information about the exception it replaces.

*ScopedCycleException* when the caller is a schedulable and this invocation would break the single parent rule.

*IllegalArgumentException* when the caller is a schedulable and `time` or `logic` is `null`.

*UnsupportedOperationException* when the wait operation is not supported using the clock associated with `time`.

---

<sup>109</sup>Section [11.4.3.12.2](#)

<sup>110</sup>Section [5.3.2.2.2](#)

<sup>111</sup>Section [8.4.2.1.3](#)

<sup>112</sup>Section [14.2.3.3](#)

<sup>113</sup>Section [14.2.3.6](#)

In the error-free case, `joinAndEnter` combines `join();enter();` such that no `enter()` from another schedulable can intervene between the two method invocations. The resulting method will wait for the reference count on this `ScopedMemory` to reach zero, or for the current time to reach the designated time, then enter the `ScopedMemory` and execute the `run` method from `logic`.

Since the time is expressed as a `HighResolutionTime`<sup>114</sup>, this method is an accurate timer with nanosecond granularity. The actual resolution of the timer and even the quantity it measures depends on the clock associated with `time`. The delay time may be relative or absolute. If relative, then the delay is the amount of time given by `time`, and measured by its associated clock. If absolute, then the delay is until the indicated value is reached by the clock. If the given absolute time is less than or equal to the current value of the clock, the call to `joinAndEnter` behaves effectively like `enter(Runnable)`<sup>115</sup>.

Throws `IllegalArgumentException` immediately if `logic` is `null`.

If multiple threads are waiting in `joinAndEnter` family methods for a memory area, at most *one* of them will be released each time the reference count goes to zero.

Note that expiration of `time` may cause control to enter the memory area before its reference count has gone to zero.

## `joinAndEnter(java.util.function.Supplier;T, HighResolutionTime)`

### *Signature*

```
public
T joinAndEnter(java.util.function.Supplier<T> logic,
HighResolutionTime time)
```

### *Parameters*

*logic* the object whose `get` method will be executed.

### *Returns*

a result from the computation.

Same as `joinAndEnter(Runnable, HighResolutionTime)`<sup>116</sup> except that the executed method is called `get` and an object is returned.

## `joinAndEnter(BooleanSupplier, HighResolutionTime)`

### *Signature*

---

<sup>114</sup>Section 9.4.1.2

<sup>115</sup>Section 11.4.3.12.2

<sup>116</sup>Section 11.4.3.12.2

```
public
boolean joinAndEnter(BooleanSupplier logic, HighResolutionTime
time)
```

*Parameters*

*logic* the object who's get method will be executed.

*Returns*

a result from the computation.

Same as `joinAndEnter(Runnable, HighResolutionTime)`<sup>117</sup> except that the executed method is called `get` and a `boolean` is returned.

## **joinAndEnter(IntSupplier, HighResolutionTime)**

*Signature*

```
public
int joinAndEnter(IntSupplier logic, HighResolutionTime time)
```

*Parameters*

*logic* the object who's get method will be executed.

*Returns*

a result from the computation.

Same as `joinAndEnter(Runnable, HighResolutionTime)`<sup>118</sup> except that the executed method is called `get` and an `int` is returned.

## **joinAndEnter(LongSupplier, HighResolutionTime)**

*Signature*

```
public
long joinAndEnter(LongSupplier logic, HighResolutionTime time)
```

*Parameters*

*logic* the object who's get method will be executed.

*Returns*

a result from the computation.

Same as `joinAndEnter(Runnable, HighResolutionTime)`<sup>119</sup> except that the executed method is called `get` and a `long` is returned.

## **joinAndEnter(DoubleSupplier, HighResolutionTime)**

*Signature*

---

<sup>117</sup>Section [11.4.3.12.2](#)

<sup>118</sup>Section [11.4.3.12.2](#)

<sup>119</sup>Section [11.4.3.12.2](#)

```
public
double joinAndEnter(DoubleSupplier logic, HighResolutionTime
time)
```

*Parameters*

*logic* the object who's get method will be executed.

*Returns*

a result from the computation.

Same as `joinAndEnter(Runnable, HighResolutionTime)`<sup>120</sup> except that the executed method is called `get` and a `double` is returned.

## getParent

*Signature*

```
public
javax.realtime.MemoryArea getParent()
```

*Returns*

a reference to the next outer scoped memory region on the caller's scope stack.

- If there is no outer scoped memory and the primordial parent is heap memory, return a reference to `this`.
- If there is no outer scoped memory and the primordial parent is immortal, or if `this` is unreferenced and unpinned, return `null`

*Problem.* The single-parent tree is RTT-independent except for the primordial scope. The type of the primordial scope is RTT-dependent. What should we do about that? If called from a RTT that has entered `this`, the above rules make some sense, but what if the caller has not even entered the scope, should we throw an exception? Or just return `null`? I think the right solution is to return `this` whatever the type of the primordial scope. The app can then know that `null` means the scope is not pinned and not referenced, and `this` means the parent is either heap or immortal. At that point, the app can learn what it wants to know by just finding what memory area contains the scope object.

Return a reference to this scopes parent scope (e.g., its parent in the single-parent-rule tree).

**Available since RTSJ version RTSJ 2.0**

## visitScopedChildren(ChildScopeVisitor)

*Signature*


---

<sup>120</sup>Section [11.4.3.12.2](#)

```
public
java.lang.Object visitScopedChildren(ChildScopeVisitor visitor)
```

*Throws*

*IllegalArgumentException* when visitor is null.

@inheritDoc

## **newArray(java.lang.Class, int)**

*Signature*

```
public
java.lang.Object newArray(java.lang.Class type, int number)
```

*Parameters*

*type* @inheritDoc

*number* @inheritDoc

*Throws*

*IllegalArgumentException* @inheritDoc

*OutOfMemoryError* @inheritDoc

*IllegalThreadStateException* when the caller is a Java thread.

*InaccessibleAreaException* when the memory area is not in the schedulable's scope stack.

*Returns*

@inheritDoc

Allocate an array of the given type in this memory area. This method may be concurrently used by multiple threads.

## **newInstance(java.lang.Class)**

*Signature*

```
public
java.lang.Object newInstance(java.lang.Class type)
throws IllegalAccessException, InstantiationException
```

*Parameters*

*type* @inheritDoc

*Throws*

*IllegalAccessException* @inheritDoc

*IllegalArgumentException* @inheritDoc

*ExceptionInInitializerError* @inheritDoc

*OutOfMemoryError* @inheritDoc

*InstantiationException* @inheritDoc

*IllegalThreadStateException* when the caller is a Java thread.

*InaccessibleAreaException* when the memory area is not in the schedulable's scope stack.

*Returns*

@inheritDoc

Allocate an object in this memory area. This method may be concurrently used by multiple threads.

## **newInstance(java.lang.reflect.Constructor, java.lang.Object[])**

*Signature*

```
public
  java.lang.Object newInstance(java.lang.reflect.Constructor c,
    java.lang.Object[] args)
  throws IllegalAccessException, InstantiationException,
    InvocationTargetException
```

*Parameters*

*c* T@inheritDoc

*args* @inheritDoc

*Throws*

*IllegalAccessException* @inheritDoc

*InstantiationException* @inheritDoc

*OutOfMemoryError* @inheritDoc

*IllegalArgumentException* @inheritDoc

*IllegalThreadStateException* when the caller is a Java thread.

*InvocationTargetException* @inheritDoc

*InaccessibleAreaException* when the memory area is not in the schedulable's scope stack.

*Returns*

@inheritDoc

Allocate an object in this memory area. This method may be concurrently used by multiple threads.

## **setPortal(Object)**

*Signature*

```
public
  void setPortal(Object object)
```

*Parameters*



*object* The object which will become the portal for this. If `null` the previous portal object remains the portal object for this or if there was no previous portal object then there is still no portal object for `this`.

*Throws*

*IllegalThreadStateException* when the caller is a Java Thread.

*IllegalAssignmentError* when the caller is a schedulable, and `object` is not allocated in this scoped memory instance and not `null`.

*InaccessibleAreaException* when the caller is a schedulable, `this` memory area is not in the caller's scope stack and `object` is not `null`.

Sets the *portal* object of the memory area represented by this instance of `ScopedMemory` to the given object. The object must have been allocated in this `ScopedMemory` instance.

## toString

*Signature*

```
public
java.lang.String toString()
```

*Returns*

The string representation

Returns a user-friendly representation of this `ScopedMemory` of the form "`ScopedMemory#<num>`" where `<num>` is a number that uniquely identifies this scoped memory area.

### 11.4.3.13 SizeEstimator

---

#### Inheritance

```
java.lang.Object
  javax.realtime.SizeEstimator
```

This class maintains an estimate of the amount of memory required to store a set of objects.

`SizeEstimator` is a floor on the amount of memory that should be allocated. Many objects allocate other objects when they are constructed. `SizeEstimator` only estimates the memory requirement of the object itself, it does not include memory required for any objects allocated at construction time. If the instance itself is allocated in several parts (if for instance the object and its monitor are separate), the size estimate shall include the sum of the sizes of all the parts that are allocated from the same memory area as the instance. Alignment considerations, and possibly other order-dependent issues may cause the allocator to leave a small

amount of unusable space, consequently the size estimate cannot be seen as more than a close estimate.

See Section [MemoryArea.MemoryArea\(SizeEstimator\)](#)

See Section [LTMemory.LTMemory\(SizeEstimator\)](#)

#### 11.4.3.13.1 Constructors

---

### SizeEstimator

*Signature*

```
public
    SizeEstimator()
```

#### 11.4.3.13.2 Methods

---

### reserve([java.lang.Class](#), int)

*Signature*

```
public
    void reserve(java.lang.Class c, int number)
```

*Parameters*

*c* The class to take into account.

*number* The number of instances of *c* to estimate.

*Throws*

*IllegalArgumentException* when *c* is null.

Take into account additional *number* instances of Class *c* when estimating the size of the [MemoryArea](#)<sup>121</sup>.

---

<sup>121</sup>Section [11.4.3.7](#)

**reserve(SizeEstimator, int)***Signature*

```
public
void reserve(SizeEstimator estimator, int number)
```

*Parameters*

*estimator* The given instance of [SizeEstimator](#)<sup>122</sup>.

*number* The number of times to reserve the size denoted by *estimator*.

*Throws*

*IllegalArgumentException* when *estimator* is null.

Take into account additional *number* instances of *SizeEstimator* *size* when estimating the size of the [MemoryArea](#)<sup>123</sup>.

**reserve(SizeEstimator)***Signature*

```
public
void reserve(SizeEstimator size)
```

*Parameters*

*size* The given instance of *SizeEstimator*.

*Throws*

*IllegalArgumentException* when *size* is null.

Take into account an additional instance of *SizeEstimator* *size* when estimating the size of the [MemoryArea](#)<sup>124</sup>.

**reserveArray(int)***Signature*

```
public
void reserveArray(int length)
```

*Parameters*

*length* The number of entries in the array.

*Throws*

*IllegalArgumentException* when *length* is negative.

Take into account an additional instance of an array of *length* reference values when estimating the size of the [MemoryArea](#)<sup>125</sup>.

---

<sup>122</sup>Section [11.4.3.13](#)

<sup>123</sup>Section [11.4.3.7](#)

<sup>124</sup>Section [11.4.3.7](#)

<sup>125</sup>Section [11.4.3.7](#)

Available since RTSJ version RTSJ 1.0.1

## reserveArray(int, java.lang.Class)

### Signature

```
public
void reserveArray(int length, java.lang.Class type)
```

### Parameters

*length* The number of entries in the array.

*type* The class representing a primitive type. The reservation will leave room for an array of *length* of the primitive type corresponding to *type*.

### Throws

*IllegalArgumentException* when *length* is negative, or *type* does not represent a primitive type.

Take into account an additional instance of an array of *length* primitive values when estimating the size of the [MemoryArea](#)<sup>126</sup>.

Class values for the primitive types are available from the corresponding class types; e.g., `Byte.TYPE`, `Integer.TYPE`, and `Short.TYPE`.

Available since RTSJ version RTSJ 1.0.1

## getEstimate

### Signature

```
public
long getEstimate()
```

### Returns

The estimated size in bytes.

Gets an estimate of the number of bytes needed to store all the objects reserved.

### 11.4.3.14 StackedMemory

---

#### Inheritance

```
java.lang.Object
  javax.realtime.MemoryArea
```

---

<sup>126</sup>Section [11.4.3.7](#)

`javax.realtime.ScopedMemory`  
`javax.realtime.StackedMemory`

`StackedMemory` implements a scoped memory allocation area and backing store management system. It is designed to allow for safe, fragmentation-free management of scoped allocation with certain strong guarantees provided by the virtual machine and runtime libraries.

Each `StackedMemory` instance represents a single object allocation area and additional memory associated with it in the form of a *backing store*. The backing store associated with a `StackedMemory` is a fixed-size memory area allocated at or before instantiation of the `StackedMemory`. The object allocation area is taken from the associated backing store, and the backing store may be further subdivided into additional `StackedMemory` allocation areas or backing stores by instantiating additional `StackedMemory` objects.

If a `StackedMemory` is created with a backing store, the backing store may be taken from a notional global backing store, in which case it is effectively immortal, or it may be taken from the enclosing `StackedMemory`'s backing store if the scope in which it is created is also a `StackedMemory`, in which case it is returned to its enclosing scope's backing store when the object is finalized. Implementations are not required to return the space occupied by backing stores taken from the global backing store when their associated `StackedMemory` object is finalized.

These backing store semantics divide instances of `StackedMemory` into two categories:

- *Host* — this denotes a `StackedMemory` with an object allocation area created in a new backing store, allocated either from the global store or from a parent `StackedMemory`'s backing store.
- *guest* — this in turn indicates a `StackedMemory` with an object allocation area taken directly from a parent `StackedMemory`'s backing store without creating a sub-store.

In addition, there is one distinguished status for `StackedMemory` objects, *root*. A root `StackedMemory` is a host `StackedMemory` created with a backing store drawn directly from the global backing store, created in an allocation context of some type other than `StackedMemory`.

Allocations from a `StackedMemory` object allocation area are guaranteed to run in time linear in the size of the allocation. All memory for the backing store must be reserved at object construction time.

`StackedMemory` memory areas have two additional stacking constraints in addition to the single parent rule, designed to enable fragmentation-free manipulation:

- A `StackedMemory` that is created when another `StackedMemory` is the current allocation context can only be entered from the same allocation context in which it was created.
- A guest `StackedMemory` cannot be created from a `StackedMemory` that cur-

rently has another child area that is also a guest `StackedMemory`. (That is, a `StackedMemory` can have at most one direct child that is a guest `StackedMemory`.)

The `StackedMemory` constructor semantics also enforce the property that a `StackedMemory` cannot be created from another `StackedMemory` allocation context unless it is allocated from that context's backing store as either a host or guest area.

The backing store of a `StackedMemory` behaves as if any `StackedMemory` object allocation areas are at the “bottom” of the backing store, while the backing stores for enclosed `StackedMemory` areas are taken from the “top” of the backing store.

There may be an implementation-specific memory overhead for creating a backing store of a given size. This means that creating a `StackedMemory` with a backing store of exactly the remaining available backing store of the current `StackedMemory` may fail with an `OutOfMemoryError`. This overhead must be bounded by a constant.

**Available since RTSJ version RTSJ 2.0**

#### 11.4.3.14.1 Constructors

---

### `StackedMemory(long, long)`

#### *Signature*

```
public
    StackedMemory(long scopeSize, long backingSize)
```

#### *Parameters*

*scopeSize* Size of the allocation area

*backingSize* Size of the total backing store

#### *Throws*

*IllegalArgumentException* when either `scopeSize` or `backingSize` is less than zero, or if `scopeSize` is too large to be allocated from a backing store of size `backingSize`.

*OutOfMemoryError* when there is insufficient memory available to reserve the requested backing store.

Create a host `StackedMemory` with an object allocation area and backing store of the specified sizes. The backing store is allocated from the currently active memory area if it is also a `StackedMemory`, and the global backing store otherwise. The object allocation area is allocated from the backing store.

## StackedMemory(long, long, Runnable)

### Signature

```
public
    StackedMemory(long scopeSize, long backingSize, Runnable logic)
```

### Parameters

*scopeSize* Size of the allocation area

*backingSize* Size of the total backing store

*logic* `Runnable` to be entered using `this` as its current memory area when `enter()`<sup>127</sup> is called.

### Throws

*IllegalArgumentException* when either `scopeSize` or `backingSize` is less than zero, or if `scopeSize` is too large to be allocated from a backing store of size `backingSize`.

*OutOfMemoryError* when there is insufficient memory available to reserve the requested backing store.

Create a host `StackedMemory` with an object allocation area and backing store of the specified sizes, bound to the specified `Runnable`. The backing store is allocated from the currently active memory area if it is also a `StackedMemory`, and the global backing store otherwise. The object allocation area is allocated from the backing store.

## StackedMemory(SizeEstimator, SizeEstimator)

### Signature

```
public
    StackedMemory(SizeEstimator scopeSize, SizeEstimator backingSize)
```

### Parameters

*scopeSize* `SizeEstimator` indicating the size of the object allocation area

*backingSize* `SizeEstimator` indicating the size of the total backing store

### Throws

*IllegalArgumentException* when either `scopeSize` or `backingSize` is less than zero, or if `scopeSize` is too large to be allocated from a backing store of size `backingSize`.

---

<sup>127</sup>Section 11.4.3.14.2

*OutOfMemoryError* when there is insufficient memory available to reserve the requested backing store.

Create a host **StackedMemory** with an object allocation area and backing store of the sizes estimated by the specified **SizeEstimators**. The backing store is allocated from the currently active memory area if it is also a **StackedMemory**, and the global backing store otherwise. The object allocation area is allocated from the backing store.

## **StackedMemory(SizeEstimator, SizeEstimator, Runnable)**

*Signature*

```
public
    StackedMemory(SizeEstimator scopeSize, SizeEstimator backingSize, Runnable
```

*Parameters*

*scopeSize* **SizeEstimator** indicating the size of the object allocation area  
*backingSize* **SizeEstimator** indicating the size of the total backing store  
*logic* **Runnable** to be entered using **this** as its current memory area when **enter()**<sup>128</sup> is called.

*Throws*

*IllegalArgumentException* when either **scopeSize** or **backingSize** is less than zero, or if **scopeSize** is too large to be allocated from a backing store of size **backingSize**.

*OutOfMemoryError* when there is insufficient memory available to reserve the requested backing store.

Create a host **StackedMemory** with an object allocation area and backing store of the sizes estimated by the specified **SizeEstimators**, bound to the specified **Runnable**. The backing store is allocated from the currently active memory area if it is also a **StackedMemory**, and the global backing store otherwise. The object allocation area is allocated from the backing store.

## **StackedMemory(long)**

*Signature*

```
public
    StackedMemory(long scopeSize)
```

---

<sup>128</sup>Section 11.4.3.14.2



*Parameters*

*scopeSize* Size of the allocation area

*Throws*

*IllegalStateException* when the parent memory area is not a `StackedMemory`, or if the parent `StackedMemory` already has a child that is also a guest `StackedMemory`.

*IllegalArgumentException* when `scopeSize` is less than zero.

*OutOfMemoryError* when there is insufficient memory available in the parent `StackedMemory`'s backing store to reserve the requested object allocation area.

Create a guest `StackedMemory` with an object allocation area of the specified size. The object allocation area is drawn from the parent scope's backing store, which must be a `StackedMemory`.

## **StackedMemory(SizeEstimator)**

*Signature*

```
public  
    StackedMemory(SizeEstimator scopeSize)
```

*Parameters*

*scopeSize* `SizeEstimator` indicating the size of the object allocation area

*Throws*

*IllegalStateException* when the parent memory area is not a `StackedMemory`, or if the parent `StackedMemory` already has a child that is also a guest `StackedMemory`.

*IllegalArgumentException* when `scopeSize` is less than zero.

*OutOfMemoryError* when there is insufficient memory available in the parent `StackedMemory`'s backing store to reserve the requested object allocation area.

Create a guest `StackedMemory` with an object allocation area of the size estimated by the specified `SizeEstimator`. The object allocation area is drawn from the parent scope's backing store, which must be a `StackedMemory`.

## **StackedMemory(long, Runnable)**

*Signature*

```
public  
    StackedMemory(long scopeSize, Runnable logic)
```

*Parameters*

*scopeSize* Size of the allocation area

*logic* `Runnable` to be entered using `this` as its current memory area when `enter()`<sup>129</sup> is called.

*Throws*

*IllegalStateException* when the parent memory area is not a `StackedMemory`, or if the parent `StackedMemory` already has a child that is also a guest `StackedMemory`.

*IllegalArgumentException* when `scopeSize` is less than zero.

*OutOfMemoryError* when there is insufficient memory available in the parent `StackedMemory`'s backing store to reserve the requested object allocation area.

Create a guest `StackedMemory` with an object allocation area of the specified size, bound to the specified `Runnable`. The object allocation area is drawn from the parent scope's backing store, which must be a `StackedMemory`.

**StackedMemory(SizeEstimator, Runnable)***Signature*

```
public
    StackedMemory(SizeEstimator scopeSize, Runnable logic)
```

*Parameters*

*scopeSize* `SizeEstimator` indicating the size of the object allocation area

*logic* `Runnable` to be entered using `this` as its current memory area when `enter()`<sup>130</sup> is called.

*Throws*

*IllegalStateException* when the parent memory area is not a `StackedMemory`, or if the parent `StackedMemory` already has a child that is also a guest `StackedMemory`.

*IllegalArgumentException* when `scopeSize` is less than zero.

*OutOfMemoryError* when there is insufficient memory available in the parent `StackedMemory`'s backing store to reserve the requested object allocation area.

Create a guest `StackedMemory` with an object allocation area of the size estimated by the specified `SizeEstimator`, bound to the specified `Runnable`. The object allocation area is drawn from the parent scope's backing store, which must be a `StackedMemory`.

---

<sup>129</sup>Section 11.4.3.14.2

<sup>130</sup>Section 11.4.3.14.2

### 11.4.3.14.2 Methods

---

## resize(long)

### Signature

```
public
void resize(long scopeSize)
```

### Parameters

*scopeSize* The new allocation area size for this scope

### Throws

*IllegalStateException* when the caller is not permitted to perform the requested adjustment or there are additional guest `StackedMemory` allocation areas after this one in the backing store.

*OutOfMemoryException* when the remaining backing store is insufficient for the requested adjustment.

Change the size of the object allocation area for this scope. This method may be used to either grow or shrink the allocation area if there are no objects allocated in the scope and no `Schedulable` object has this area as its current allocation context. It may be used to shrink the allocation area down to the size of its current usage if the calling `Schedulable` object is the only object that has this area on its scope stack and there are no guest `StackedMemory` object allocation areas created after this area in the same backing store but not yet finalized.

## getMaximumSize

### Signature

```
public
long getMaximumSize()
```

### Returns

The maximum size attainable.

Get the maximum size this memory area can attain. The value returned by this function is the maximum size that can currently be passed to `resize(long)`<sup>131</sup> without triggering an `OutOfMemoryException`.

## enter

### Signature

---

<sup>131</sup>Section [11.4.3.14.2](#)

```
public
void enter()
```

*Throws*

*IllegalStateException* when the currently active memory area is a **StackedMemory** and is not the area in which this scope was created, or the current memory area is not a **StackedMemory** and this **StackedMemory** is not a root area.

*ThrowBoundaryError* @inheritDoc

*IllegalThreadStateException* @inheritDoc

*MemoryAccessError* @inheritDoc

Associate this memory area with the current **Schedulable** object for the duration of the `run()` method of the instance of **Runnable** given in this object's constructor. During this period of execution, this memory area becomes the default allocation context until another default allocation context is selected.

This method may only be called from the memory area in which this scope was created.

[See Section `ScopedMemory.enter\(\)`](#)

**enter(Runnable)***Signature*

```
public
void enter(Runnable logic)
```

*Throws*

*IllegalStateException* when the currently active memory area is a **StackedMemory** and is not the area in which this scope was created, or the current memory area is not a **StackedMemory** and this **StackedMemory** is not a root area.

*ThrowBoundaryError* @inheritDoc

*IllegalThreadStateException* @inheritDoc

*MemoryAccessError* @inheritDoc

Associate this memory area with the current **Schedulable** object for the duration of the `run()` method of the given **Runnable**. During this period of execution, this memory area becomes the default allocation context until another default allocation context is selected.

This method may only be called from the memory area in which this scope was created.

[See Section `ScopedMemory.enter\(Runnable\)`](#)

## joinAndEnter

### Signature

```
public  
void joinAndEnter()
```

### Throws

*IllegalStateException* when the currently active memory area is a **StackedMemory** and is not the area in which this scope was created, or the current memory area is not a **StackedMemory** and this **StackedMemory** is not a root area.

*InterruptedException* @inheritDoc

*IllegalThreadStateException* @inheritDoc

*ThrowBoundaryError* @inheritDoc

*ScopedCycleException* @inheritDoc

*MemoryAccessError* @inheritDoc

@inheritDoc

## joinAndEnter(HighResolutionTime)

### Signature

```
public  
void joinAndEnter(HighResolutionTime time)
```

### Throws

*IllegalStateException* when the currently active memory area is a **StackedMemory** and is not the area in which this scope was created, or the current memory area is not a **StackedMemory** and this **StackedMemory** is not a root area.

*InterruptedException* @inheritDoc

*IllegalThreadStateException* @inheritDoc

*ThrowBoundaryError* @inheritDoc

*ScopedCycleException* @inheritDoc

*MemoryAccessError* @inheritDoc

@inheritDoc

## joinAndEnter(Runnable)

### Signature

```
public  
void joinAndEnter(Runnable logic)
```

*Throws*

*IllegalStateException* when the currently active memory area is a **StackedMemory** and is not the area in which this scope was created, or the current memory area is not a **StackedMemory** and this **StackedMemory** is not a root area.

*InterruptedException* @inheritDoc

*IllegalThreadStateException* @inheritDoc

*ThrowBoundaryError* @inheritDoc

*ScopedCycleException* @inheritDoc

*MemoryAccessError* @inheritDoc

@inheritDoc

## **joinAndEnter(Runnable, HighResolutionTime)**

*Signature*

```
public
void joinAndEnter(Runnable logic, HighResolutionTime time)
```

*Throws*

*IllegalStateException* when the currently active memory area is a **StackedMemory** and is not the area in which this scope was created, or the current memory area is not a **StackedMemory** and this **StackedMemory** is not a root area.

*InterruptedException* @inheritDoc

*IllegalThreadStateException* @inheritDoc

*ThrowBoundaryError* @inheritDoc

*ScopedCycleException* @inheritDoc

*MemoryAccessError* @inheritDoc

@inheritDoc

## **11.5 The Rationale**

### **11.5.1 The scoped memory model**

Languages that employ automatic reclamation of blocks of memory allocated in what is traditionally called the heap by program logic also typically use an algorithm called a garbage collector. Garbage collection algorithms and implementations vary in the amount of non-determinacy they add to the execution of program logic. Rather than require a garbage collector, and require it to meet realtime constraints that would necessarily be a compromise, this specification constructs alternative systems for “safe” management of memory. The scoped and immortal memory areas allow

program logic to allocate objects in a Java-like style, ignore the reclamation of those objects, and not incur the latency of the implemented garbage collection algorithm.

The term *scope stack* might mislead a reader to infer that it contains only scoped memory areas. This is incorrect. Although the scope stack may contain scoped memory references, it may also contain heap and immortal memory areas. Also, although the scope stack's behavior is specified as a stack, an implementation is free to use any data structure that preserves the stack semantics.

This specification does not specifically address the lifetime of objects allocated in immortal memory areas. If they were reclaimed while they were still referenced, the referential integrity of the JVM would be compromised which is not permissible. Recovering immortal objects only at the termination of the application, or never recovering them under any circumstances is consistent with this specification.

If a scoped memory area is used by both heap and non-heap SOs, there could be cases where a finalizer executed in non-heap context could attempt to use a heap reference left by a heap-using SO. The code in the finalizer would throw a memory access error. If that exception is not caught in the finalizer, it will be handled by the implementation so finalization will continue undisturbed, but the problem in finalizer that caused the illegal memory access could be hard to locate. So, catch clauses in finalizers for objects allocated in scoped memory are even more useful than they are for normal finalizers.

Support for scoped non-default initial memory areas (SNDIMAs) for schedulables has repercussions. These repercussions include:

- The SNDIMA's parent is set when the SO is constructed, but its reference count is not incremented until the realtime thread is started or the async event handler becomes fireable. This lets a scope with a zero reference count have a parent. This may cause unexpected scoped cycle exceptions. The most surprising are from the `joinAndEnter` family of methods.
- Finalization of a scoped memory (when its reference count goes to zero) can cause finalization of SNDIMAs of AEHs whose AEs are in the finalizing scope. This can cause finalization of one scope to trigger finalization of numerous other scopes including scopes that are descendants of the scope whose finalization started the process.
- Any action that makes an AEH non-fireable (directly disassociating it from all AEs, or indirectly disassociating it by finalizing the scopes containing those AEs) must block until all the resulting finalization completes.
- Any action that makes an AEH fireable must block until any ongoing finalization of its SNDIMA completes.

These semantics are complicated (and so prone to bugs in use and in implementation), they may use significant CPU time at unexpected times, CPU time used for this finalization is not controlled by cost enforcement and it is hard to include in feasibility analysis. **Open issue:** This will not encourage the reader! **End of**

**open issue**

Entering the scoped memory when the AEH is fired or the realtime thread starts has almost the same effect as using the scope as an initial memory area with much less complexity that is recommended practice. A future release may deprecate support for SNDIMAs. **Open issue: \*\*\* End of open issue**

Using heap or immortal memory as the non-default initial memory area of an SO is benign.

**11.5.2 The physical memory model**

Embedded systems may have many different types of directly addressable memory available to them. Each type has its own characteristics [2] that determine whether it is

- volatile – whether it maintains its state when the power is turned off;
- writable – whether it can be written at all, written once or written many times and whether writing is under program control,
- synchronous or asynchronous – whether the memory is synchronized with the system bus,
- erasable at the byte level – if the memory can be overwritten whether this is done at the byte level or whether whole sectors of the memory need to be erased,
- fast to access – both for reading and writing.

Examples include the following [2]:

- *Dynamic Random Access Memory* (DRAM) and *Static Random Access Memory* (SRAM) – these are volatile memory types that are usually writable at the byte level. There are no limits on the number of times the memory contents can be written. From the embedded systems designer’s view point, the main differences between the two are their access times and their costs per byte. SRAM has faster access times and is more expensive. Both DRAM and SRAM are example of asynchronous memory, SDRAM and SSRAM are their synchronized counterparts. Another important difference is that DRAM requires periodic refresh operations, which may interfere with execution time determinism.
- Read-Only Memory (for example, *Erasable Programmable Read-Only Memory* (EPROM)) – these are nonvolatile memory types that once initialized with data can not be overwritten by the program (without recourse to some external effect, usually ultraviolet light as in EPROM). They are fast to access and cost less per byte than DRAM.
- Hybrid Memory (for example, *Electrically Erasable Programmable Read-Only Memory* (EEPROM), and Flash) – these have some properties of both random access and read-only memory.



- EEPROM – this is nonvolatile memory that is writable at the byte level. However, there are typically limits on how many times the same location can be overwritten. EEPROMs are expensive to manufacture, fast to read but slow to write.
- FLASH memory – this is nonvolatile that is writable at the sector level. Like EEPROM there are limits on how many times the same location can be overwritten and they are fast to read but slow to write. Flash memory is cheaper to manufacture than EEPROM.

Some embedded systems may have multiple types of random-access memory, and multiple ways of accessing memory. For instance, there may be a small amount of very fast RAM on the processor chip, memory that is on the same board as the processor, memory that may be added and removed from the system dynamically, memory that is accessed across a bus, access to memory that is mediated by a cache, access where the cache is partially disabled so all stores are “write through”, memory that is demand paged, and other types of memory and memory-access attributes only limited by physics and the imagination of electrical engineers. Some of these memory types will have no impact on the programmer, others will.

Individual computers are often targeted at a particular application domain. This domain will often dictate the cost and performance requirements, and therefore, the memory type used. Some embedded systems are highly optimized and need to explore different options in memory to meet their performance requirements. Here are five example scenarios.

- Ninety percent of performance-critical memory access is to a set of objects that could fit in a half the total memory.
- The system enables the locking of a small amount of data in the cache, and a small number of pages in the translation lookaside buffer (TLB). A few very frequently accessed objects are to be locked in the cache and a larger number of objects that have jitter requirements can be TLB-locked to avoid TLB faults.
- The boards accept added memory on daughter boards, but that memory is not accessible to DMA from the disk and network controllers and it cannot be used for video buffers. Better performance is obtained if we ensure that all data that might interact with disk, network, or video is not stored on the daughter board.
- Improved video performance can be obtained by using an array as a video buffer. This will only be effective if a physically contiguous, non-pageable, DMA-accessible block of RAM is used for the buffer and all stores forced to write through the cache. Of course, such an approach is dependent on the way the JVM lays out arrays in memory, and it breaks the JVM abstraction by depending on that layout.
- The system has banks of SRAM and saves power by automatically putting them to “sleep” whenever they stay unused for 100 ms or so. To exploit this,

the objects used by each phase of our program can be collected in a separate bank of this special memory.

To be clear, few embedded systems are this aggressive in their hardware optimization. The majority of embedded systems have only ROM, RAM, and maybe flash memory. Configuration-controlled memory attributes (such as page locking, and TLB behavior) are more common.

As well as having different types of memory, many computers map input and output devices so that their registers can be accessed as if they were resident within the computer memory (see Section 12.3.1). Hence, some parts of the processor's address space map to real memory and other parts map to device registers. Logically, even a device's memory can be considered part of the memory hierarchy, even where the device's interface is accessed through special assembly instructions. Multiprocessor systems add a further dimension to the problem of memory access. Memory may be local to a CPU, tightly shared between CPUs, or remotely accessible from the CPU (but with a delay).

Traditionally, Java programmers are not concerned with these low-level issues; they program at a higher level of abstraction and assume the JVM makes judicious use of the underlying resources provided by the execution platform<sup>132</sup>. Embedded systems programmers cannot afford this luxury. Consequently, any Java environment that wishes to facilitate the programming of embedded systems must enable the programmer to exercise more control over memory.

### 11.5.2.1 Problems with the current RTSJ 1.0.2 Physical Memory Framework

The RTSJ 1.0.2 supports three ways to allocate objects that can be placed in particular types of memory:

- `ImmortalPhysicalMemory` allocates immortal objects in memory with specified characteristics.
- `LTPhysicalMemory` allocates scoped memory objects in a memory with specified characteristics using a linear time memory allocation algorithm.
- `VTPhysicalMemory` allocates scoped memory objects in memory with specified characteristics using an algorithm that may be worse than linear time but could offer extra services (such as extensibility).

The only difference between the physical memory classes and the corresponding non-physical classes is that the ordinary memory classes give access to normal system RAM and the physical memory classes offer access to particular types of memory.

The RTSJ 1.0.2 supports access to physical memory via a memory manager and one or more memory filters. The goal of the memory manager is to provide a single

---

<sup>132</sup>This is reflected by the OS support provided. For example, most POSIX systems only offer programs a choice of demand paged or page-locked memory.

interface with which the programmer can interact in order to access memory with a particular characteristic. A memory filter enables access to a particular type of physical memory. Memory filters may be dynamically added and removed from the system, and there can only be a single filter for each memory type. The memory manager is unaware of the physical addresses of each type of memory. This is encapsulated by the filters. The filters also know the virtual memory characteristics that have been allocated to their memory type. For example, whether the memory is readable or writable.

In theory, any developer can create a new physical memory filter and register it with the PMM. However, the programming of filters is difficult for the following reasons.

- Physical memory type filters include a memory allocation function that must respond to allocation requests with whether a requested range of physical memory is free and if it is not, the physical address of the next free physical memory of the requested type. This is complex because requests for compound types of physical memory must find a free segment that satisfies all attributes of the compound type.
- The Java runtime must continue to behave correctly under the Java memory model when it is using physical memory. This is not a problem when a memory type behaves like the system's normal RAM with respect to the properties addressed by the memory model, or is more restricted than normal RAM (as, for instance, write-through cache is more restricted than copy-back cache). If a new memory type does not obey the memory model using the same instruction sequences as normal RAM, the memory filter must cooperate with the interpreter, the JIT, and any ahead-of-time compilation to modify those instruction sequences when accessing the new type of memory. That task is difficult for someone who can easily modify the Java runtime and nearly impossible for anyone else.

Hence, the utility of the physical memory filter framework at Version 1.0.2 is questionable, and hence is replaced in 2.0 with an easier to use framework.

#### 11.5.2.2 The RTSJ 2.0 Physical Memory Framework

The main problem with the 1.0.2 framework is that it places too greater a burden on the JVM implementer. Even for embedded systems, the JVM implementer requires the VM to be portable between systems within the same processor family. It, therefore, cannot have detailed knowledge of the underlying memory architecture. It is only concerned with the standard RAM provided to it by the host operating system.

The design of 2.0 model is based on two constraints:

- Java objects can only be allocated in a memory area if the physical backing

store supports the Java Memory Model without the JVM having to perform any operation addition to those that it performs when accessing as the main RAM for the host machine. No extra compiler or JVM interactions shall be required. Hence memory types (such as EEPROM), which potentially require special hardware instructions to perform write operations, cannot be used as the backing store for physical memory areas. Similarly, non-volatile memory can be used any objects store therein may contain references to objects in volatile memory. Although these memory types are prohibited from being used as backing stores, they contain objects of primitive Java types and be accessed via the RTSJ Raw Memory facilities (see Section 12.3.1).

- Any API must delegates detailed knowledge of the memory architecture to the programmer of the specific embedded system to be implemented. There is less requirement for portability here, as embedded systems are usually optimized for their host environment. The model assumes that the programmer is aware of the memory map, either through some native operating system interface<sup>133</sup> or from some property file read at program initialization time.

When accessing physical memory, there are two main considerations:

1. the characteristics of the required physical memory, and
  2. how that memory is to be mapped into the virtual memory of the application.
- 2.0 requires the program to identify (and inform the RTSJ's physical memory manager of) the physical memory characteristics and the range of physical addresses those characteristic apply to. For example, that there is SRAM between physical address range 0x100000000 and 0xA0000000.

The physical memory manager supports a range of options for mapping physical memory into the virtual memory of the application. Examples of such options are whether the range is to be permanently resident in memory (the default is that it may be subject to paging/swapping), and whether data is written to the cache and the main memory simultaneously (i.e., a write through cache).

Given the required physical and virtual memory characteristics, the programmer requests that the PMM creates a memory filter for accessing this memory. This filter can then be used with new constructors on the physical memory classes. For example,

---

```
1 public ImmortalPhysicalMemory(PhysicalMemoryFilter filter, long size)
```

---

Use of this constructor enables the programmer to specify the allocation of the backing store in a particular type of memory with a particular virtual memory

---

<sup>133</sup>For example, the *Advanced Configuration and Power Interface* (ACPI) specification is an open standard for device configuration and power management by the operating system. The ACPI defines platform-independent interfaces for hardware discovery, configuration, power management and monitoring. See <http://www.acpi.info/>

characteristic. The filter is used to locate an area in physical memory with the required physical memory characteristics and to direct its mapping into the virtual address space. Other constructors allow multiple filters to be passed.

Hence, once the filters have been created, physical memory areas can be created and objects can be allocated within those memory areas using the usual RTSJ mechanisms for changing the allocation context of the `new` operator.

### 11.5.2.3 An example

Consider an example of a system that has a SRAM physical memory module configured at a physical base address of `0x10000000` and of length `0x20000000`. Another module (base address of `0xA0000000` and of length `0x10000000`) also supports SRAM, but this module has been configured so that it saves power by sleeping when not in use. The following subsections illustrate how the embedded programmer informs the PMM about the structure during the program's initialization phase, and how the memory may be subsequently used after this. The example assumes that the PMM supports the virtual memory characteristics defined above.

## Program Initialization

For simplicity, the example requires that the address of the memory modules are known, rather than being read from a property file. The program needs to have a class that implements the `PhysicalMemoryCharacteristic`. In this simple example, this is empty.

---

```
1 public class MyMemoryType implements PhysicalMemoryCharacteristic {}
```

---

The initialization method must now create instances of the `PhysicalMemoryModule` class to represent the physical memory module memory modules to represent

---

```
1 PhysicalMemoryModule staticRam = new PhysicalMemoryModule(
2     0x10000000L, 0x10000000L);
3 PhysicalMemoryModule staticSleepableRam = new PhysicalMemoryModule(
4     0xA0000000L, 0x10000000L);
```

---

It then creates names for the characteristics that the program wants to associate with each memory module.

---

```
1 PhysicalMemoryCharacteristic STATIC_RAM = new MyMemoryType();
2 PhysicalMemoryCharacteristic AUTO_SLEEPABLE = new MyMemoryType();
```

---

It then informs the PMM of the appropriate associations:

---

```

1 NewPhysicalMemoryManager.associate(STATIC_RAM, staticRam);
2 NewPhysicalMemoryManager.associate(STATIC_RAM,
3     staticSleepableRam);
4 NewPhysicalMemoryManager.associate(AUTO_SLEEPABLE,
5     staticSleepableRam);

```

---

Once this is done, the program can now create a filter with the required properties. In this case it is for some SRAM that must be auto sleepable.

---

```

1 PhysicalMemoryCharacteristic [] PMC =
2     new PhysicalMemoryCharacteristic[2];
3 PMC[0] = STATIC_RAM;
4 PMC[1] = AUTO_SLEEPABLE;
5
6 PhysicalMemoryFilter filter = NewPhysicalMemoryManager.
7     createFilter(PMC, DISABLED, FIXED);

```

---

If the program had just asked for SRAM then either of the memory modules could satisfy the request.

The initialization is now complete, and the programmer can use the memory for storing objects, as shown below.

## Using Physical Memory

Once the programmer has configured the JVM so that it is aware of the physical memory modules, and the programmer names for characteristics of those memory modules, using the physical memory is straight forward. Here is an example.

---

```

1 ImmortalPhysicalMemory IM = new ImmortalPhysicalMemory(filter,
2     0x1000);
3 IM.enter(new Runnable() {
4     public void run() {
5         // The code executing here is running with its allocation
6         // context set to a physical immortal memory area that is
7         // mapped to RAM which is auto sleepable.
8         // Any objects created will be placed in that
9         // part of physical memory.
10    }
11 });

```

---

It is the appropriate constructor of the physical memory classes that now interfaces with the PMM. The physical memory manager keeps track of previously allocated memory and is able to determine if memory is available with the appropriate characteristics. Of course, the PMM has no knowledge of what these names mean; it is

merely providing a look-up service.





# Chapter 12

## Devices and Triggering

### 12.1 Overview

Interacting with the external environment in a timely manner is an important requirement for realtime, embedded systems. From an embedded systems' perspective, all interactions with the physical world are performed by input and output devices. Hence, the problem is one of controlling and monitoring of devices. This is an area insufficiently addressed by other Java standards. A conventional Java Virtual Machine is not designed to support device access and interrupt handling. Programs that need this functionality must resort to code written in another language and called via the Java Native Interface (JNI). This specification addresses the problem by providing APIs for interrupt handling and direct memory access without resorting to JNI.

In contrast to earlier versions of this specification, 2.0 has extended the goals of the device interfaces to be type safe and user extensible, so that the user can defined new devices without changing the underlying virtual machine.

There are at least four execution (runtime) environments for the RTSJ:

1. on a realtime operating system where the Java application runs in user mode;
2. on a realtime operating system where the Java application runs in a context with a user space device driver;
3. as a “kernel module” incorporated into a realtime kernel where both kernel and application run in supervisor mode; and
4. as part of an embedded device where the Java application runs stand-alone on a hardware machine.

In execution environment 1, interaction with the embedded environment is usually via operating system calls using Java's connection-oriented APIs. The Java program will typically have no direct access to the I/O devices. Although some limited access to physical memory may be provided, it is unlikely that interrupts

can be directly handled. However, asynchronous interaction with the environment is still possible, for example, via POSIX signals.

In execution environments 2, 3, and 4, the Java program may be able to directly access devices and handle interrupts.

A device can be anything from a simple set of registers wired to sensors and actuators to a full processor performing some fixed task. The interface to a device is usually through a set of device registers. Depending on the I/O architecture of the processor, the programmer can either access these registers via predetermined memory location (called *memory mapped I/O*) or via special assembler instructions (called *port-mapped I/O*).

A computer system with processing devices can be considered to be a collection of parallel threads. The device ‘thread’ can communicate and synchronize with the tasks executing inside the main processor either by having the main processor poll registers of the device or via a signal from the device. This signal is usually referred to as an interrupt. All high-level models of device programming must provide [3]

1. facilities for representing, addressing and manipulating device registers; and
2. a suitable representation of interrupts (if interrupts are to be handled).

Version 1.0 of the RTSJ went some way towards supporting this model through the notion of *happenings* and the *physical and raw memory* access facilities. Unfortunately, happenings were under defined and the mechanisms for physical and raw memory were overly complex with no clear delineation of the separations of concerns between application developers and JVM implementers.

2.0 has significantly enhanced the support for happenings, and has provided a clearer separation between physical and raw memory. The interfaces for `Happening`, `Timer`, and `POSIXSignal` are now unified under `ActiveEvent`. This means that both `Happening` and `POSIXSignal`, like `Timer` are now subclasses of `AsyncEventHandler`. As described in Chapter 8, `ActiveEvent` provides a common light-weight means of notifying that its event has occurred. Unlike `fire()`, where dispatching of the associated handlers is done in context of the caller, an `ActiveEvent` separates this notification that the event occurred, its triggering, from the dispatching by providing its own execution context for the dispatching. As with `Timer`, each class has its own `ActiveEventDispatcher`: `HappeningDispatcher`, `POSIXDispatcher`, and `TimeDispatcher`. Finally, support for POSIX realtime signals is provided by `POSIXRealtimeSignal` with its associated dispatcher.

## 12.2 Definitions

A *happening* is an event that takes place outside the Java runtime environment. The triggers for happenings depend on the external environment, but happenings might include signals and interrupts.

## 12.3 Semantics

There are several aspects of the API for supporting devices. Raw Memory provides the means of accessing the I/O register of a device. Direct Memory Access (DMA) support provide a means of transferring data using a DMA controller. Active events and dispatchers support releasing event handlers based on external events. Interrupt service routines and application-defined clocks are for linking external events to the active events.

### 12.3.1 Raw Memory

Raw Memory provides means of accessing particular physical memory addresses as variables of Java's primitive data types, and thereby provides an application with direct access to physical memory, for example, for memory-mapped I/O.

Java objects or references therefore *cannot* be stored in raw memory. The following specifies the RTSJ's facilities for raw memory access.

- Each area of memory supporting raw memory access is identified by a subclass of `RawMemoryRegion`.
  - The raw memory region `RawMemoryRegion.MEMORY_MAPPED_REGION` facilitates access to memory location that are outside the main memory used by the JVM. It is used to access input and output device registers when such registers are memory mapped.
  - The raw memory region `RawMemoryRegion.IO_PORT_MAPPED_REGION` facilitates access to locations that are outside the main memory used by the JVM. It is used to access input and output device registers when such registers are port-based and can only be accessed by special hardware instructions.
  - The application developer can define and register additional regions to support things like emulated access to devices or access to a bus over a bus controller.
- Access to raw memory is controlled by implementation-defined objects, called *accessor objects*. These implement specification-defined interfaces (e.g., `RawByte`, `RawShort`, `RawInt`, etc.) and are created by implementation-defined factory objects. Each factory implements the `RawMemoryRegionFactory` interface, and is identified by its `RawMemoryRegion`.
- The `RawMemoryFactory` class defines the applications programmers interface to the raw memory facilities.
- The `RawMemoryRegionFactory` interface defines the interface that all factories must support for creating accessor objects.

Figure 12.1: Raw Memory Interface

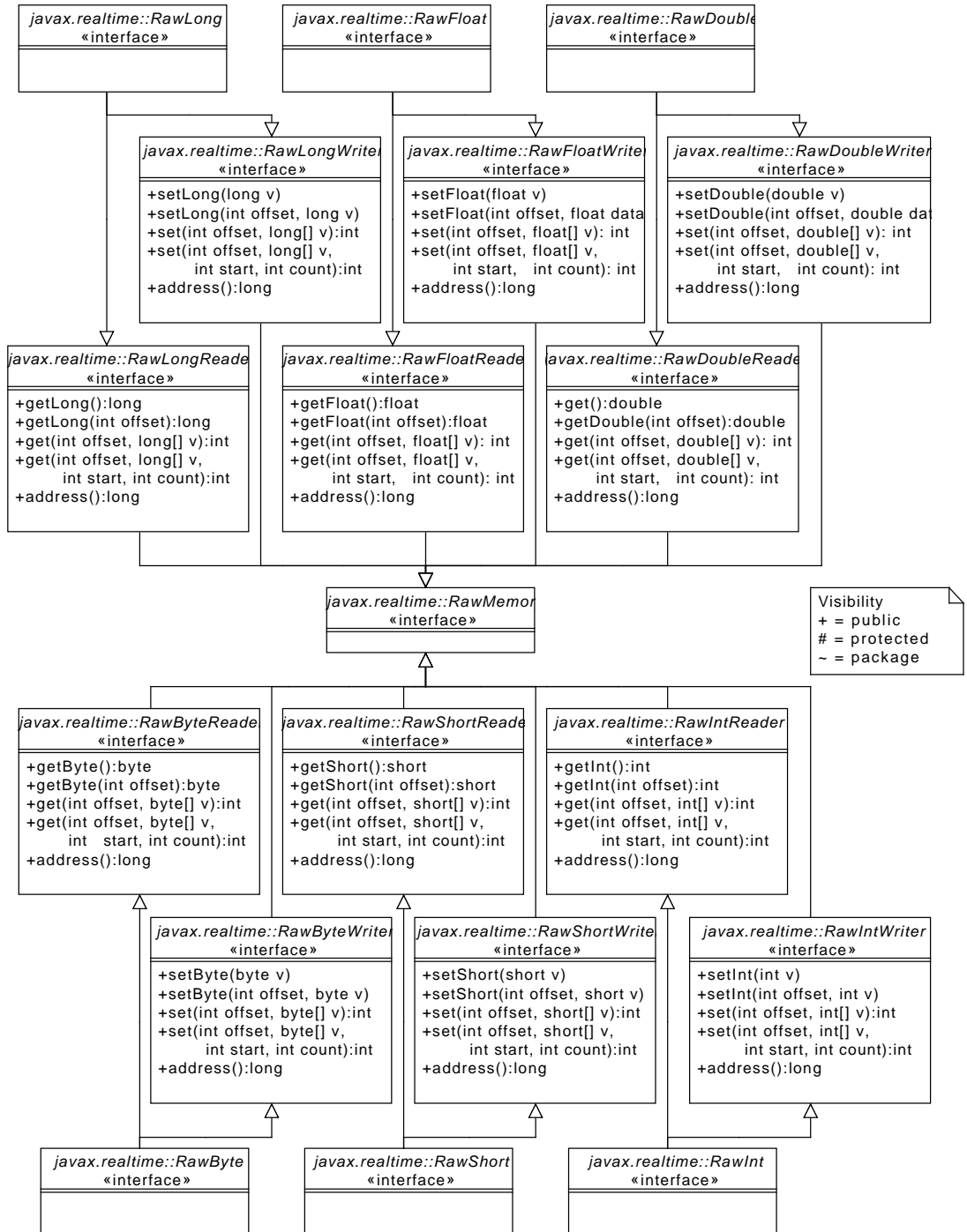
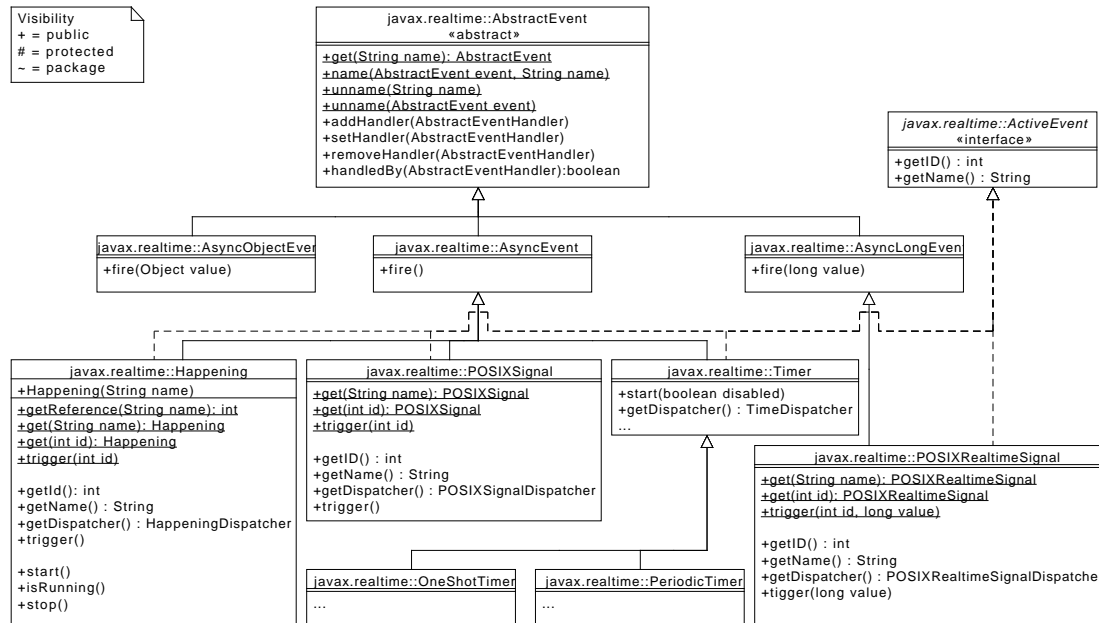


Figure 12.2: Event Classes



### 12.3.1.1 Raw Memory Region

Raw memory is designed to support arbitrary I/O address spaces. The simplest is through the processor address space and is accessible via standard memory access instructions, such as `load` and `store`. This provide access to memory mapped I/O devices, but there are others address spaces as well. Each of these address spaces is referred to as a *Raw Memory Region*.

There are two raw memory regions that can be supported generically. Memory mapped I/O is one. The other is port mapped I/O. The most common instance is the I/O space provided by Intel x86 compatible processors through their `in` and `out` instructions. The memory mapped I/O raw memory region must be supported by all implementations, but the port mapped I/O raw memory region must only be supported on processors that support it.

All other raw memory regions are optional and may be provided by a system integrator or an application developer. The API provides an interface, `RawMemoryRegionFactory`, that can be implemented to provide a means of creating accessor objects for that region. These additional regions can be anything from an I/O space provided by a memory mapped device, using memory mapped I/O to implement it, to a purely synthetic I/O space to emulated hardware that has not yet been built.

Each raw memory region is identified by its raw memory region object. These

“types” are defined by instances of `RawMemoryRegion`: `IO_MEMORY_MAPPED` for memory mapped devices and `IO_PORT_MAPPED` for port mapped devices for processors that have instructions for reading and writing an I/O bus directly. The instances are used to get accessors of a region instead of using a `RawMemoryRegionFactory` directly.

### 12.3.1.2 Raw Memory Factory

In order to support a variety of device address spaces efficiently, raw memory objects are created using the factory methods provided by `RawMemoryFactory`. This factory provides static methods to get accessors for a region via a region’s type. Regions created during runtime can be provided by registering their factory with the main raw memory factory, so the application code only needs to have a reference to the object identifying the required region. For instance, one could create an I2C raw memory region by implementing a factory for it using a memory mapped I2C controller.

### 12.3.1.3 Stride

Since the word size of devices do not always match the word size of the memory or I/O bus, the interface provides for the notion of stride. Stride defines the distance between elements in a raw memory area. Normally elements of a memory area are mapped sequentially, without any space between the elements. This is a stride of one. A stride of two, means that every other element in physical memory is mapped into the raw memory area.

For example, it is often easier to map a 16 bit device into a 32 bit system by mapping the 16 bit registers at 32 bit intervals. This enables 16 bit accesses to the device to be atomic on 32 bit addressed systems, even when the bus always does 32 bit transfers. One can create a `RawShort` area with a stride of two. Then the area can be accessed as if the registers were contiguous.

## 12.3.2 Direct Memory Access Support

Many embedded systems provide a means of moving data without direct involvement of the main processor. This is typically programmed with a special device called a DMA controller. DMA controllers are treated specially since they are central to bulk transfer in device drivers. The data to be transferred is not in device registers, but in normal RAM. Java already provides an API for managing this kind of memory in `java.nio`. The DMA API defined here provides a seamless means of integrating those features into a device driver for DMA.

There are various architectures for DMA controllers, each requiring its own programming paradigm, so only common low level support is provided by this speci-

cation. Raw memory can be used to program the DMA controller, but there needs to be a means of representing bulk data. The `java.nio.ByteBuffer` provides just such a representation. The only difference is that the restrictions on the memory behind byte buffer objects is a bit different than for other `java.nio` mechanisms.

These differences are covered with a special byte buffer factory: `RawBufferFactory`. An instance of this factory can produce direct byte buffers within a given memory range. This range can be chosen by the programmer to be within the range of a given DMA controller. The factory also provides methods for getting the start address of a buffer's memory and checking if a buffer's memory is within a given range. These addresses should be compatible with DMA controllers in the system, though for controllers with a smaller address space than the processor, the DMA address may have fixed offset from the processor physical address. The `RawBufferFactory` class also provides static methods for ensuring that Java-generated changes to DMA-mapped memory buffers are visible to native code, and vice-versa.

### 12.3.3 External Triggering

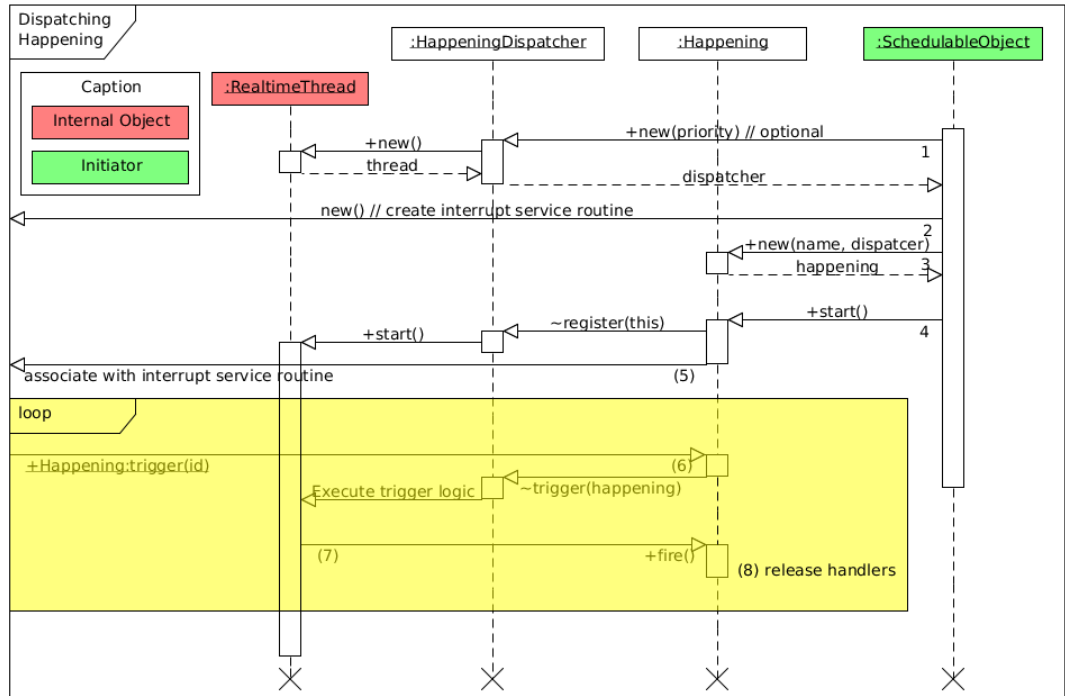
It is not enough to be able to read from and write to devices; many applications, need a means of being interrupted when an event happens. This specification provides a two-level interrupt mechanism. For predefined interfaces, such as POSIX signals, the first level handler is provided by the virtual machine and asynchronous events provide the second level event handling. For external events and additional clocks, where the programmer needs to be able to define new instances and provide for their triggering, additional classes are provided to manage both the first level, as well as the second level handling. In all cases, the user can control the priority and affinity of the dispatching between the first level and second level handling.

#### 12.3.3.1 Happenings

Whereas in previous version, happenings were represented as a `String`, as of 2.0 they have become an object in their own right. This makes it easier to properly type methods that use them and for the user to define new happening for an application without the need to change the JVM. Furthermore, indirection is minimized by making the new `Happening` class a subclass of `AsyncEvent`.

Since a `Happening` needs to be triggerrable from an external event, such as an interrupt, the `Happening` class also implements `ActiveEvent`. As with other active events, `Happening` has its own dispatcher class: `HappeningDispatcher`. There is a default happening dispatcher that is used when none is provided at creation time, otherwise, the programmer can provide one to change the priority and affinity of dispatching.

Figure 12.3: Happening State Transition Diagram

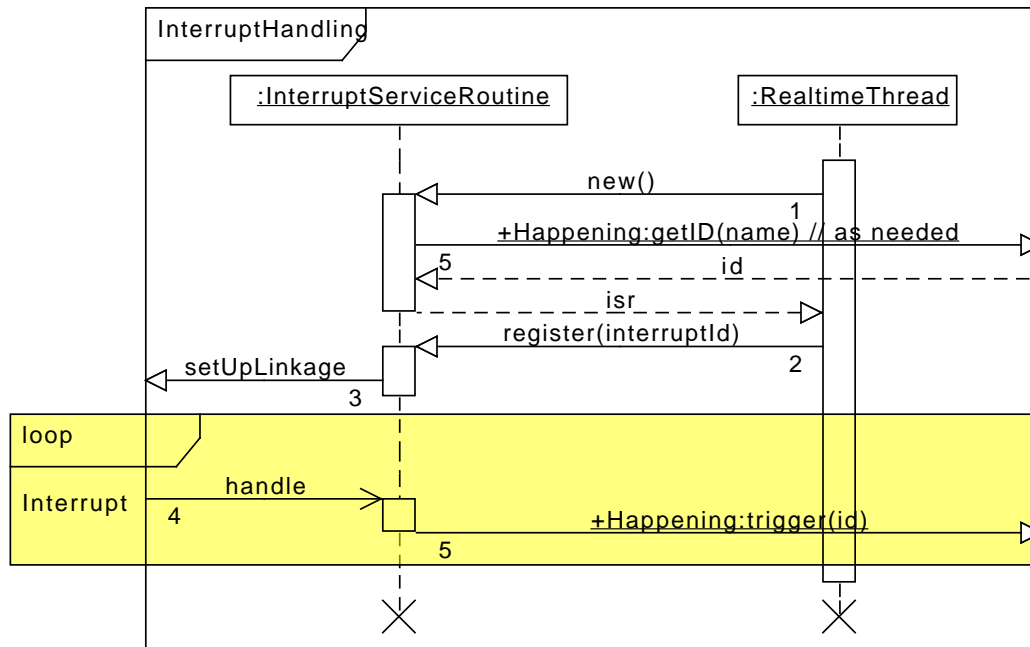


Normally, happenings are triggered either from an `InterruptServiceRoutine` or from JNI code. For the later, the interface provides a means of linking a happening by name. This enables native code to get a handle for triggering a happening without have a direct reference.

Figure 12.3 illustrates the sequence of actions necessary for defining and using a `Happening`. When using an application defined dispatcher, it must be created first (1). When using an `InterruptServiceRoutine` to trigger the happening, it may be created before (2) or after the happening is create. After creating the happening (3), the happening must be started to be registered with it dispatcher to be triggered from native code. Of course, the JVM must have direct access to an interrupt, either by being directly bound in the kernel or by some other means, such as a system call, for setting up user-space device drivers. Only after both an `InterruptServiceRoutine` is registered and a `Happening` with the same name is started, can that happening be triggered (6–8).



Figure 12.4: Interrupt servicing



### 12.3.4 Interrupt Service Routines

In Java-based systems, JNI is typically used to transfer control between the assembler/C *interrupt service routine* (ISR) and the program. 2.0 of the RTSJ supports the possibility of the ISR containing Java code. This is clearly an area where it is difficult to maintain the portability goal of Java. Furthermore, not all RTSJ deployments can support `InterruptServiceRoutine`. A JVM that runs in user space does not generally have access to interrupts.

The JVM must either be standalone, running in a kernel module, or running in a special I/O partition on a partitioning OS where interrupts are passed through using some virtualization technique. Hence, JVM support for ISR is not required for RTSJ compliance.

Interrupt handling is necessarily machine dependent. However, the RTSJ provides an abstract model that can be implemented on top of all architectures.

The following semantic model shall be supported by the RTSJ:

- An *occurrence* of an interrupt consists of its *generation* and *delivery*.
- Generation of the interrupt is the mechanism in the underlying hardware or system that makes the interrupt available to the Java program.
- Delivery is the action that invokes an interrupt service routine (ISR) in re-

sponse to the occurrence of the interrupt. This may be performed by the JVM or application native code linked with the JVM, or directly by the hardware interrupt mechanism.

- Between generation and delivery, the interrupt is *pending*.
- Some or all interrupt occurrences may be inhibited. While an interrupt occurrence is inhibited, all occurrences of that interrupt shall be prevented from being delivered. Whether such occurrences remain pending or are lost is implementation defined, but it is expected that the implementation shall make a best effort to avoid losing pending interrupts.
- Certain implementation-defined interrupts are *reserved*. Reserved interrupts are either interrupts for which application-defined ISRs are not supported, or those that already have ISRs by some other implementation-defined means. For example, a clock interrupt, which is used for internal time keeping by the JVM, is a reserved interrupt.
- An application-defined ISR can be registered with one or more non-reserved interrupts. Registering an ISR for an interrupt shall implicitly deregister any already registered ISR for that interrupt. Any daisy-chaining of interrupt handlers shall be performed explicitly by the application interrupt handlers.
- While an ISR is registered to an interrupt, the `handle` method shall be called *once* for each delivery of that interrupt. For locking out further interrupts during interrupt handling, the `handle` method must be synchronized with a priority high enough to lock out the requisite interrupts. This synchronized uses priority ceiling emulation to inhibit the corresponding interrupt (and all lower priority interrupts). The default allocation context of the `handle` method is the memory area passed during construction.

Any exception propagated from the `handle` method shall be caught by the JVM and ignored.

The model assumes that

- the processor has a (logical) interrupt controller chip that monitors a number of *interrupt lines*;
- the interrupt controller may associate each interrupt line with a particular interrupt priority;
- associated with the interrupt lines is a (logical) interrupt vector that contains the address of the ISRs;
- the processor has instructions that allow interrupts from a particular line to be disabled/masked irrespective of whether (or the type of) device attached;
- disabling interrupts from a specific line may disables the interrupts from lines of lower priority;
- a device can be connected to an arbitrary interrupt line;
- when an interrupt is signalled on an interrupt line by a device, the processor uses the identity of the interrupt line to index into the interrupt vector and

jumps to the address of the ISR; the hardware automatically disables further interrupts (either of the same priority or, possibly, all interrupts);

- on return from the ISR, interrupts are automatically re-enabled.

For each of the interrupt, the RTSJ has an associated hardware priority that can be used to set the ceiling of an ISR object. The RTSJ virtual machine uses this to disable the interrupts from the associated interrupt line, and lower priority interrupts, when it is executing a synchronized method of the interrupt-handling object. For the `handle` method, this may be done automatically by the hardware interrupt handling mechanism or it may require added support from the realtime Java virtual machine. However, for clarity of the model, RTSJ recommends that the `handle` method should be defined as synchronized.

Support for interrupt handling is encapsulated in the `InterruptServiceRoutine` abstract class that has two main methods. The first is the final `register` method that will register an instance of the class with the system so that the appropriate interrupt vector can be initialized. The second is the abstract `handle` method that provides the code to be executed in response to the interrupt occurring. An individual real-time JVM may place restrictions of the code that can be written in this method. The process is illustrated in Figure 12.4, and is described below.

1. The ISR is created by some application real-time thread.
2. The created ISR is registered with the JVM, the interrupt id is passed as a parameter.
3. As part of the registration process, some internal interface is used to set up the code that will set the underlying interrupt vectors to some C/assembly code that will provide the necessary linkage to allow the callback to the Java handler.
4. When the interrupt occurs, the handler is called.

In order to integrate further the interrupt handling with the Java application, the `handle` method may trigger a happening or fire an event.

Typically an implementation of the RTSJ that supports first-level interrupt handling will document the following items:

1. For each interrupt, its identifying integer value, the priority at which the interrupt occurs and whether it can be inhibited or not, and the effects of registering ISRs to non-inhibitible interrupts (if this is permitted).
2. Which run-time stack the `handle` method uses when it executes.
3. Any implementation- or hardware-specific activity that happens before the `handle` method is invoked (e.g., reading device registers, acknowledging devices).
4. The state (inhibited/uninhibited) of the nonreserved interrupts when the program starts; if some interrupts are uninhibited, what the mechanism is that a program can use to protect itself before it can register the corresponding ISR.
5. The treatment of interrupt occurrences that are generated while the interrupt

is inhibited; i.e., whether one or more occurrences are held for later delivery, or all are lost.

6. Whether predefined or implementation-defined exceptions are raised as a result of the occurrence of any interrupt (for example, a hardware trap resulting from a segmentation error), and the mapping between the interrupt and the predefined exceptions.
7. On a multiprocessor, the rules governing the delivery of an interrupt occurrence to a particular processor. For example, whether execution of the `handle` method may spin if the lock of the associated object is held by another processor.

## 12.4 Package javax.realtime.device

### 12.4.1 Interfaces

#### 12.4.1.1 RawByte

---

##### *Interfaces*

[RawByteReader](#)

[RawByteWriter](#)

A marker for an object that can be used to access to a single byte. Read and write access to that byte is checked by the factory that creates the instance; therefore, no access checking is provided by this interface.

Available since RTSJ version RTSJ 2.0

#### 12.4.1.2 RawByteReader

---

##### *Interfaces*

[RawMemory](#)

A marker for a byte accessor object encapsulating the protocol for reading bytes from raw memory. A byte accessor can always access at least one byte. Each byte is transferred in a single atomic operation. Groups of bytes may be transferred together; however, this is not required.

Objects of this type are created with the method [RawMemoryFactory.createRawByteReader](#)<sup>1</sup> and [RawMemoryFactory.createRawByte](#)<sup>2</sup>. Each object references a range of elements in the [RawMemoryRegion](#)<sup>3</sup> starting at the *base address* provided to the factory method. The size provided to the factor method determines the number of elements accessible.

Caching of the memory access is controlled by the factory that created this object. If the memory is not cached, this method guarantees serialized access. In other words, the memory access at the memory occurs in the same order as in the program. Multiple writes to the same location may not be coalesced.

---

<sup>1</sup>Section [12.4.3.5.2](#)

<sup>2</sup>Section [12.4.3.5.2](#)

<sup>3</sup>Section [12.4.3.6](#)

Available since RTSJ version RTSJ 2.0

#### 12.4.1.2.1 Methods

---

### **getBytes**

#### *Signature*

```
public
byte getBytes()
```

#### *Returns*

the value at the *base address* provided to the factory method that created this object.

Get the value at the first position referenced by this instance, i.e., the value at its start address. This operation must be atomic with respect to all other raw memory accesses to the address.

### **getBytes(int)**

#### *Signature*

```
public
byte getBytes(int offset)
throws OffsetOutOfBoundsException
```

#### *Parameters*

*offset* of byte in the memory region starting from the address specified in the associated factory method.

#### *Throws*

*OffsetOutOfBoundsException* when **offset** is negative or greater than or equal to the number of elements in the raw memory region.

#### *Returns*

the value at the address specified.

Get the value of the  $n^{\text{th}}$  element referenced by this instance, where **n** is **offset** and the address is *base address* + (**offset** \* stride \* *element size in bytes*). When an exception is thrown, no data is transferred.

### **get(int, byte[])**

*Signature*

```
public
int get(int offset, byte[] values)
throws OffsetOutOfBoundsException, NullPointerException
```

*Parameters*

*offset* of the first byte in the memory region to transfere  
*values* the array to received the bytes

*Throws*

*OffsetOutOfBoundsException* when *offset* is negative or greater than or equal to the number of elements in the raw memory region.  
*NullPointerException* when *values* is null.

*Returns*

the number of elements copied to *values*

Fill the *values* starting at the address referenced by this instance plus the offset scaled by the element size in bytes and the object's *stride*. Only the bytes in the intersection of the start and end of *values* and the *base address* and the end of the memory region are transfered. When an exception is thrown, no data is transfered.

**get(int, byte[], int, int)***Signature*

```
public
int get(int offset, byte[] values, int start, int count)
throws OffsetOutOfBoundsException,
ArrayIndexOutOfBoundsException, NullPointerException
```

*Parameters*

*offset* of the first byte in the memory region to transfere  
*values* the array to received the bytes  
*start* the first index in array to fill  
*count* the maximum number of bytes to copy

*Throws*

*OffsetOutOfBoundsException* when *offset* is negative or either *offset* or *offset + count* is greater than or equal to the size of this raw memory area.  
*ArrayIndexOutOfBoundsException* when *start* is negative or either *start* or *start + count* is greater than or equal to the size of *values*.  
*NullPointerException* when *values* is null or *count* is negative.

*Returns*

the number of bytes actually transfered.

Fill *values* with data from the memory region, where *offset* is first byte in the memory region and *start* is the first index in *values*. The number of bytes trans-

ferred is the minimum of `count`, the *size* of the memory region minus `offset`, and length of `values` minus `start`. When an exception is thrown, no data is transferred.

### 12.4.1.3 RawByteWriter

---

#### *Interfaces*

##### RawMemory

A marker for a byte accessor object encapsulating the protocol for writing bytes from raw memory. A byte accessor can always access at least one byte. Each byte is transferred in a single atomic operation. Groups of bytes may be transferred together; however, this is not required.

Objects of this type are created with the method `RawMemoryFactory.createRawByteWriter` and `RawMemoryFactory.createRawByte`<sup>5</sup>. Each object references a range of elements in the `RawMemoryRegion`<sup>6</sup> starting at the *base address* provided to the factory method. The size provided to the factor method determines the number of elements accessible.

Caching of the memory access is controlled by the factory that created this object. If the memory is not cached, this method guarantees serialized access. In other words, the memory access at the memory occurs in the same order as in the program. Multiple writes to the same location may not be coalesced.

**Available since RTSJ version RTSJ 2.0**

#### 12.4.1.3.1 Methods

---

### **setByte(byte)**

#### *Signature*

```
public
void setByte(byte value)
```

Set the value at the first position referenced by this instance, i.e., the value at its start address. This operation must be atomic with respect to all other raw memory accesses to the address. When an exception is thrown, no data is transferred.

---

<sup>4</sup>Section 12.4.3.5.2

<sup>5</sup>Section 12.4.3.5.2

<sup>6</sup>Section 12.4.3.6



## setByte(int, byte)

### Signature

```
public
void setByte(int offset, byte value)
throws OffsetOutOfBoundsException
```

### Parameters

*offset* of byte in the memory region.

### Throws

*OffsetOutOfBoundsException* when **offset** is negative or greater than or equal to the number of elements in the raw memory region.

Set the value of the  $n^{\text{th}}$  element referenced by this instance, where **n** is **offset** and the address is *base address* + **offset** \* *size of Byte*. This operation must be atomic with respect to all other raw memory accesses to the address. When an exception is thrown, no data is transferred.

## set(int, byte[])

### Signature

```
public
int set(int offset, byte[] values)
throws OffsetOutOfBoundsException, NullPointerException
```

### Throws

*OffsetOutOfBoundsException* when **offset** is negative or greater than or equal to the number of elements in the raw memory region.

*NullPointerException* when **values** is null.

### Returns

the number of elements copied to **values**

Copy **values** to the raw memory starting at the address referenced by this instance plus the **offset** scaled by the element size in bytes and the objects **stride**. Only the bytes in the intersection of **values** and the end of the memory region are transferred. When an exception is thrown, no data is transferred.

## set(int, byte[], int, int)

### Signature

```
public
int set(int offset, byte[] values, int start, int count)
throws OffsetOutOfBoundsException,
ArrayIndexOutOfBoundsException, NullPointerException
```

### Parameters

*offset* of the first byte in the memory region to set  
*values* the array from which to retrieve the bytes  
*start* the first index in array to fill  
*count* the maximum number of bytes to copy

*Throws*

*OffsetOutOfBoundsException* when **offset** is negative or either **offset** or **offset + count** is greater than or equal to the size of this raw memory area.  
*ArrayIndexOutOfBoundsException* when **start** is negative or either **start** or **start + count** is greater than or equal to the size of values.  
*NullPointerException* when **values** is null.

*Returns*

the number of bytes actually transferred.

Copy **values** to the memory region, where **offset** is first byte in the memory region to write and **start** is the first index in **values** from which to read. The number of bytes transferred is the minimum of **count**, the *size* of the memory region minus **offset**, and length of **values** minus **start**. When an exception is thrown, no data is transferred.

#### 12.4.1.4 RawDouble

---

*Interfaces*

[RawDoubleReader](#)  
[RawDoubleWriter](#)

A marker for an object that can be used to access to a single double. Read and write access to that double is checked by the factory that creates the instance; therefore, no access checking is provided by this interface.

**Available since RTSJ version RTSJ 2.0**

#### 12.4.1.5 RawDoubleReader

---

*Interfaces*

[RawMemory](#)

A marker for a double accessor object encapsulating the protocol for reading doubles from raw memory. A double accessor can always access at least one double.

Each double is transferred in a single atomic operation. Groups of doubles may be transferred together; however, this is not required.

Objects of this type are created with the method `RawMemoryFactory.createRawDoubleReader`<sup>7</sup> and `RawMemoryFactory.createRawDouble`<sup>8</sup>. Each object references a range of elements in the `RawMemoryRegion`<sup>9</sup> starting at the *base address* provided to the factory method. The size provided to the factory method determines the number of elements accessible.

Caching of the memory access is controlled by the factory that created this object. If the memory is not cached, this method guarantees serialized access. In other words, the memory access at the memory occurs in the same order as in the program. Multiple writes to the same location may not be coalesced.

Available since RTSJ version RTSJ 2.0

#### 12.4.1.5.1 Methods

---

### getDouble

*Signature*

```
public
double getDouble()
```

*Returns*

the value at the *base address* provided to the factory method that created this object.

Get the value at the first position referenced by this instance, i.e., the value at its start address. This operation must be atomic with respect to all other raw memory accesses to the address.

### getDouble(int)

*Signature*

```
public
double getDouble(int offset)
throws OffsetOutOfBoundsException
```

---

<sup>7</sup>Section [12.4.3.5.2](#)

<sup>8</sup>Section [12.4.3.5.2](#)

<sup>9</sup>Section [12.4.3.6](#)

*Parameters*

*offset* of double in the memory region starting from the address specified in the associated factory method.

*Throws*

*OffsetOutOfBoundsException* when **offset** is negative or greater than or equal to the number of elements in the raw memory region.

*Returns*

the value at the address specified.

Get the value of the  $n^{\text{th}}$  element referenced by this instance, where **n** is **offset** and the address is *base address* + (**offset** \* stride \* *element size in bytes*). When an exception is thrown, no data is transferred.

**get(int, double[])***Signature*

```
public
int get(int offset, double[] values)
throws OffsetOutOfBoundsException, NullPointerException
```

*Parameters*

*offset* of the first double in the memory region to transfere  
*values* the array to received the doubles

*Throws*

*OffsetOutOfBoundsException* when **offset** is negative or greater than or equal to the number of elements in the raw memory region.

*NullPointerException* when **values** is null.

*Returns*

the number of elements copied to **values**

Fill the **values** starting at the address referenced by this instance plus the offset scaled by the element size in bytes and the object's **stride**. Only the doubles in the intersection of the start and end of **values** and the *base address* and the end of the memory region are transferred. When an exception is thrown, no data is transferred.

**get(int, double[], int, int)***Signature*

```
public
int get(int offset, double[] values, int start, int count)
throws OffsetOutOfBoundsException,
ArrayIndexOutOfBoundsException, NullPointerException
```

*Parameters*

*offset* of the first double in the memory region to transfere

*values* the array to received the doubles  
*start* the first index in array to fill  
*count* the maximum number of doubles to copy

*Throws*

*OffsetOutOfBoundsException* when *offset* is negative or either *offset* or *offset + count* is greater than or equal to the size of this raw memory area.  
*ArrayIndexOutOfBoundsException* when *start* is negative or either *start* or *start + count* is greater than or equal to the size of values.  
*NullPointerException* when *values* is null or *count* is negative.

*Returns*

the number of doubles actually transfered.

Fill *values* with data from the memory region, where *offset* is first double in the memory region and *start* is the first index in *values*. The number of bytes transfered is the minimum of *count*, the *size* of the memory region minus *offset*, and length of *values* minus *start*. When an exception is thrown, no data is transfered.

#### 12.4.1.6 RawDoubleWriter

---

*Interfaces*

**RawMemory**

A marker for a double accessor object encapsulating the protocol for writing doubles from raw memory. A double accessor can always access at least one double. Each double is transfered in a single atomic operation. Groups of doubles may be transfered together; however, this is not required.

Objects of this type are created with the method `RawMemoryFactory.createRawDoubleWriter`<sup>10</sup> and `RawMemoryFactory.createRawDouble`<sup>11</sup>. Each object references a range of elements in the `RawMemoryRegion`<sup>12</sup> starting at the *base address* provided to the factory method. The size provided to the factor method determines the number of elements accessible.

Caching of the memory access is controlled by the factory that created this object. If the memory is not cached, this method guarantees serialized access. In other words, the memory access at the memory occurs in the same order as in the program. Multiple writes to the same location may not be coalesced.

**Available since RTSJ version RTSJ 2.0**

---

<sup>10</sup>Section [12.4.3.5.2](#)

<sup>11</sup>Section [12.4.3.5.2](#)

<sup>12</sup>Section [12.4.3.6](#)

### 12.4.1.6.1 Methods

---

#### **setDouble(double)**

*Signature*

```
public
void setDouble(double value)
```

Set the value at the first position referenced by this instance, i.e., the value at its start address. This operation must be atomic with respect to all other raw memory accesses to the address. When an exception is thrown, no data is transferred.

#### **setDouble(int, double)**

*Signature*

```
public
void setDouble(int offset, double value)
throws OffsetOutOfBoundsException
```

*Parameters*

*offset* of double in the memory region.

*Throws*

*OffsetOutOfBoundsException* when *offset* is negative or greater than or equal to the number of elements in the raw memory region.

Set the value of the  $n^{\text{th}}$  element referenced by this instance, where *n* is *offset* and the address is *base address* + *offset* \* *size of Double*. This operation must be atomic with respect to all other raw memory accesses to the address. When an exception is thrown, no data is transferred.

#### **set(int, double[])**

*Signature*

```
public
int set(int offset, double[] values)
throws OffsetOutOfBoundsException, NullPointerException
```

*Throws*

*OffsetOutOfBoundsException* when *offset* is negative or greater than or equal to the number of elements in the raw memory region.

*NullPointerException* when `values` is null.

*Returns*

the number of elements copied to `values`

Copy `values` to the raw memory starting at the address referenced by this instance plus the `offset` scaled by the element size in bytes and the objects `stride`. Only the doubles in the intersection of `values` and the end of the memory region are transferred. When an exception is thrown, no data is transferred.

## **set(int, double[], int, int)**

*Signature*

```
public
int set(int offset, double[] values, int start, int count)
throws OffsetOutOfBoundsException,
ArrayIndexOutOfBoundsException, NullPointerException
```

*Parameters*

*offset* of the first double in the memory region to set

*values* the array from which to retrieve the doubles

*start* the first index in array to fill

*count* the maximum number of doubles to copy

*Throws*

*OffsetOutOfBoundsException* when `offset` is negative or either `offset` or `offset + count` is greater than or equal to the size of this raw memory area.

*ArrayIndexOutOfBoundsException* when `start` is negative or either `start` or `start + count` is greater than or equal to the size of `values`.

*NullPointerException* when `values` is null.

*Returns*

the number of doubles actually transferred.

Copy `values` to the memory region, where `offset` is first double in the memory region to write and `start` is the first index in `values` from which to read. The number of bytes transferred is the minimum of `count`, the *size* of the memory region minus `offset`, and length of `values` minus `start`. When an exception is thrown, no data is transferred.

### 12.4.1.7 RawFloat

---

*Interfaces*

[RawFloatReader](#)

[RawFloatWriter](#)

A marker for an object that can be used to access to a single float. Read and write access to that float is checked by the factory that creates the instance; therefore, no access checking is provided by this interface.

**Available since RTSJ version RTSJ 2.0**

#### 12.4.1.8 RawFloatReader

---

##### *Interfaces*

##### **RawMemory**

A marker for a float accessor object encapsulating the protocol for reading floats from raw memory. A float accessor can always access at least one float. Each float is transferred in a single atomic operation. Groups of floats may be transferred together; however, this is not required.

Objects of this type are created with the method **RawMemoryFactory.createRawFloatReader** and **RawMemoryFactory.createRawFloat**<sup>14</sup>. Each object references a range of elements in the **RawMemoryRegion**<sup>15</sup> starting at the *base address* provided to the factory method. The size provided to the factor method determines the number of elements accessible.

Caching of the memory access is controlled by the factory that created this object. If the memory is not cached, this method guarantees serialized access. In other words, the memory access at the memory occurs in the same order as in the program. Multiple writes to the same location may not be coalesced.

**Available since RTSJ version RTSJ 2.0**

##### 12.4.1.8.1 Methods

---

### **getFloat**

#### *Signature*

---

<sup>13</sup>Section [12.4.3.5.2](#)

<sup>14</sup>Section [12.4.3.5.2](#)

<sup>15</sup>Section [12.4.3.6](#)



```
public  
float getFloat()
```

*Returns*

the value at the *base address* provided to the factory method that created this object.

Get the value at the first position referenced by this instance, i.e., the value at its start address. This operation must be atomic with respect to all other raw memory accesses to the address.

## getFloat(int)

*Signature*

```
public  
float getFloat(int offset)  
throws OffsetOutOfBoundsException
```

*Parameters*

*offset* of float in the memory region starting from the address specified in the associated factory method.

*Throws*

*OffsetOutOfBoundsException* when *offset* is negative or greater than or equal to the number of elements in the raw memory region.

*Returns*

the value at the address specified.

Get the value of the  $n^{\text{th}}$  element referenced by this instance, where *n* is *offset* and the address is *base address* + (*offset* \* *stride* \* *element size in bytes*). When an exception is thrown, no data is transferred.

## get(int, float[])

*Signature*

```
public  
int get(int offset, float[] values)  
throws OffsetOutOfBoundsException, NullPointerException
```

*Parameters*

*offset* of the first float in the memory region to transfere  
*values* the array to received the floats

*Throws*

*OffsetOutOfBoundsException* when *offset* is negative or greater than or equal to the number of elements in the raw memory region.

*NullPointerException* when *values* is null.

*Returns*

the number of elements copied to `values`

Fill the `values` starting at the address referenced by this instance plus the offset scaled by the element size in bytes and the object's `stride`. Only the floats in the intersection of the start and end of `values` and the *base address* and the end of the memory region are transferred. When an exception is thrown, no data is transferred.

**get(int, float[], int, int)**

*Signature*

```
public
int get(int offset, float[] values, int start, int count)
throws OffsetOutOfBoundsException,
ArrayIndexOutOfBoundsException, NullPointerException
```

*Parameters*

*offset* of the first float in the memory region to transfere  
*values* the array to received the floats  
*start* the first index in array to fill  
*count* the maximum number of floats to copy

*Throws*

*OffsetOutOfBoundsException* when `offset` is negative or either `offset` or `offset + count` is greater than or equal to the size of this raw memory area.  
*ArrayIndexOutOfBoundsException* when `start` is negative or either `start` or `start + count` is greater than or equal to the size of `values`.  
*NullPointerException* when `values` is null or `count` is negative.

*Returns*

the number of floats actually transferred.

Fill `values` with data from the memory region, where `offset` is first float in the memory region and `start` is the first index in `values`. The number of bytes transferred is the minimum of `count`, the *size* of the memory region minus `offset`, and length of `values` minus `start`. When an exception is thrown, no data is transferred.

#### 12.4.1.9 RawFloatWriter

---

*Interfaces*

**RawMemory**

A marker for a float accessor object encapsulating the protocol for writing floats from raw memory. A float accessor can always access at least one float. Each float is transferred in a single atomic operation. Groups of floats may be transferred together; however, this is not required.

Objects of this type are created with the method `RawMemoryFactory.createRawFloatWriter`<sup>16</sup> and `RawMemoryFactory.createRawFloat`<sup>17</sup>. Each object references a range of elements in the `RawMemoryRegion`<sup>18</sup> starting at the *base address* provided to the factory method. The size provided to the factor method determines the number of elements accessible.

Caching of the memory access is controlled by the factory that created this object. If the memory is not cached, this method guarantees serialized access. In other words, the memory access at the memory occurs in the same order as in the program. Multiple writes to the same location may not be coalesced.

**Available since RTSJ version RTSJ 2.0**

#### 12.4.1.9.1 Methods

---

### **setFloat(float)**

*Signature*

```
public
void setFloat(float value)
```

Set the value at the first position referenced by this instance, i.e., the value at its start address. This operation must be atomic with respect to all other raw memory accesses to the address. When an exception is thrown, no data is transferred.

### **setFloat(int, float)**

*Signature*

```
public
void setFloat(int offset, float value)
throws OffsetOutOfBoundsException
```

*Parameters*

*offset* of float in the memory region.

*Throws*

*OffsetOutOfBoundsException* when *offset* is negative or greater than or equal to the number of elements in the raw memory region.

---

<sup>16</sup>Section [12.4.3.5.2](#)

<sup>17</sup>Section [12.4.3.5.2](#)

<sup>18</sup>Section [12.4.3.6](#)

Set the value of the  $n^{\text{th}}$  element referenced by this instance, where `n` is `offset` and the address is `base address + offset * size of Float`. This operation must be atomic with respect to all other raw memory accesses to the address. When an exception is thrown, no data is transferred.

### **set(int, float[])**

#### *Signature*

```
public
int set(int offset, float[] values)
throws OffsetOutOfBoundsException, NullPointerException
```

#### *Throws*

*OffsetOutOfBoundsException* when `offset` is negative or greater than or equal to the number of elements in the raw memory region.

*NullPointerException* when `values` is null.

#### *Returns*

the number of elements copied to `values`

Copy `values` to the raw memory starting at the address referenced by this instance plus the `offset` scaled by the element size in bytes and the objects `stride`. Only the floats in the intersection of `values` and the end of the memory region are transferred. When an exception is thrown, no data is transferred.

### **set(int, float[], int, int)**

#### *Signature*

```
public
int set(int offset, float[] values, int start, int count)
throws OffsetOutOfBoundsException,
ArrayIndexOutOfBoundsException, NullPointerException
```

#### *Parameters*

*offset* of the first float in the memory region to set

*values* the array from which to retrieve the floats

*start* the first index in array to fill

*count* the maximum number of floats to copy

#### *Throws*

*OffsetOutOfBoundsException* when `offset` is negative or either `offset` or `offset + count` is greater than or equal to the size of this raw memory area.

*ArrayIndexOutOfBoundsException* when `start` is negative or either `start` or `start + count` is greater than or equal to the size of values.

*NullPointerException* when `values` is null.

#### *Returns*

the number of floats actually transferred.

Copy **values** to the memory region, where **offset** is first float in the memory region to write and **start** is the first index in **values** from which to read. The number of bytes transferred is the minimum of **count**, the *size* of the memory region minus **offset**, and length of **values** minus **start**. When an exception is thrown, no data is transferred.

#### 12.4.1.10 RawInt

---

##### *Interfaces*

[RawIntReader](#)

[RawIntWriter](#)

A marker for an object that can be used to access to a single int. Read and write access to that int is checked by the factory that creates the instance; therefore, no access checking is provided by this interface.

Available since RTSJ version RTSJ 2.0

#### 12.4.1.11 RawIntReader

---

##### *Interfaces*

[RawMemory](#)

A marker for a int accessor object encapsulating the protocol for reading ints from raw memory. A int accessor can always access at least one int. Each int is transferred in a single atomic operation. Groups of ints may be transferred together; however, this is not required.

Objects of this type are created with the method [RawMemoryFactory.createRawIntReader](#)<sup>19</sup> and [RawMemoryFactory.createRawInt](#)<sup>20</sup>. Each object references a range of elements in the [RawMemoryRegion](#)<sup>21</sup> starting at the *base address* provided to the factory method. The size provided to the factor method determines the number of elements accessible.

Caching of the memory access is controlled by the factory that created this object. If the memory is not cached, this method guarantees serialized access. In

---

<sup>19</sup>Section [12.4.3.5.2](#)

<sup>20</sup>Section [12.4.3.5.2](#)

<sup>21</sup>Section [12.4.3.6](#)

other words, the memory access at the memory occurs in the same order as in the program. Multiple writes to the same location may not be coalesced.

Available since RTSJ version RTSJ 2.0

#### 12.4.1.11.1 Methods

---

### **getInt**

*Signature*

```
public
int getInt()
```

*Returns*

the value at the *base address* provided to the factory method that created this object.

Get the value at the first position referenced by this instance, i.e., the value at its start address. This operation must be atomic with respect to all other raw memory accesses to the address.

### **getInt(int)**

*Signature*

```
public
int getInt(int offset)
throws OffsetOutOfBoundsException
```

*Parameters*

*offset* of int in the memory region starting from the address specified in the associated factory method.

*Throws*

*OffsetOutOfBoundsException* when *offset* is negative or greater than or equal to the number of elements in the raw memory region.

*Returns*

the value at the address specified.

Get the value of the  $n^{th}$  element referenced by this instance, where *n* is *offset* and the address is *base address* + (*offset* \* *stride* \* *element size in bytes*). When an exception is thrown, no data is transferred.

**get(int, int[])***Signature*

```
public
int get(int offset, int[] values)
throws OffsetOutOfBoundsException, NullPointerException
```

*Parameters*

*offset* of the first int in the memory region to transfere  
*values* the array to received the ints

*Throws*

*OffsetOutOfBoundsException* when **offset** is negative or greater than or equal to the number of elements in the raw memory region.  
*NullPointerException* when **values** is null.

*Returns*

the number of elements copied to **values**

Fill the **values** starting at the address referenced by this instance plus the offset scaled by the element size in bytes and the object's **stride**. Only the ints in the intersection of the start and end of **values** and the *base address* and the end of the memory region are transferred. When an exception is thrown, no data is transferred.

**get(int, int[], int, int)***Signature*

```
public
int get(int offset, int[] values, int start, int count)
throws OffsetOutOfBoundsException,
ArrayIndexOutOfBoundsException, NullPointerException
```

*Parameters*

*offset* of the first int in the memory region to transfere  
*values* the array to received the ints  
*start* the first index in array to fill  
*count* the maximum number of ints to copy

*Throws*

*OffsetOutOfBoundsException* when **offset** is negative or either **offset** or **offset + count** is greater than or equal to the size of this raw memory area.  
*ArrayIndexOutOfBoundsException* when **start** is negative or either **start** or **start + count** is greater than or equal to the size of **values**.  
*NullPointerException* when **values** is null or **count** is negative.

*Returns*

the number of ints actually transferred.

Fill `values` with data from the memory region, where `offset` is first int in the memory region and `start` is the first index in `values`. The number of bytes transferred is the minimum of `count`, the *size* of the memory region minus `offset`, and length of `values` minus `start`. When an exception is thrown, no data is transferred.

#### 12.4.1.12 RawIntWriter

---

##### *Interfaces*

###### RawMemory

A marker for a int accessor object encapsulating the protocol for writing ints from raw memory. A int accessor can always access at least one int. Each int is transferred in a single atomic operation. Groups of ints may be transferred together; however, this is not required.

Objects of this type are created with the method `RawMemoryFactory.createRawIntWriter` and `RawMemoryFactory.createRawInt`<sup>23</sup>. Each object references a range of elements in the `RawMemoryRegion`<sup>24</sup> starting at the *base address* provided to the factory method. The size provided to the factor method determines the number of elements accessible.

Caching of the memory access is controlled by the factory that created this object. If the memory is not cached, this method guarantees serialized access. In other words, the memory access at the memory occurs in the same order as in the program. Multiple writes to the same location may not be coalesced.

**Available since RTSJ version RTSJ 2.0**

#### 12.4.1.12.1 Methods

---

##### **setInt(int)**

###### *Signature*

```
public
void setInt(int value)
```

---

<sup>22</sup>Section 12.4.3.5.2

<sup>23</sup>Section 12.4.3.5.2

<sup>24</sup>Section 12.4.3.6



Set the value at the first position referenced by this instance, i.e., the value at its start address. This operation must be atomic with respect to all other raw memory accesses to the address. When an exception is thrown, no data is transferred.

### **setInt(int, int)**

#### *Signature*

```
public
void setInt(int offset, int value)
throws OffsetOutOfBoundsException
```

#### *Parameters*

*offset* of int in the memory region.

#### *Throws*

*OffsetOutOfBoundsException* when *offset* is negative or greater than or equal to the number of elements in the raw memory region.

Set the value of the  $n^{\text{th}}$  element referenced by this instance, where *n* is *offset* and the address is *base address* + *offset* \* *size of Int*. This operation must be atomic with respect to all other raw memory accesses to the address. When an exception is thrown, no data is transferred.

### **set(int, int[])**

#### *Signature*

```
public
int set(int offset, int[] values)
throws OffsetOutOfBoundsException, NullPointerException
```

#### *Throws*

*OffsetOutOfBoundsException* when *offset* is negative or greater than or equal to the number of elements in the raw memory region.

*NullPointerException* when *values* is null.

#### *Returns*

the number of elements copied to *values*

Copy *values* to the raw memory starting at the address referenced by this instance plus the *offset* scaled by the element size in bytes and the objects *stride*. Only the ints in the intersection of *values* and the end of the memory region are transferred. When an exception is thrown, no data is transferred.

### **set(int, int[], int, int)**

#### *Signature*

```

public
int set(int offset, int[] values, int start, int count)
throws OffsetOutOfBoundsException,
    ArrayIndexOutOfBoundsException, NullPointerException

```

*Parameters*

*offset* of the first int in the memory region to set  
*values* the array from which to retrieve the ints  
*start* the first index in array to fill  
*count* the maximum number of ints to copy

*Throws*

*OffsetOutOfBoundsException* when **offset** is negative or either **offset** or **offset + count** is greater than or equal to the size of this raw memory area.  
*ArrayIndexOutOfBoundsException* when **start** is negative or either **start** or **start + count** is greater than or equal to the size of values.  
*NullPointerException* when **values** is null.

*Returns*

the number of ints actually transferred.

Copy **values** to the memory region, where **offset** is first int in the memory region to write and **start** is the first index in **values** from which to read. The number of bytes transferred is the minimum of **count**, the *size* of the memory region minus **offset**, and length of **values** minus **start**. When an exception is thrown, no data is transferred.

**12.4.1.13 RawLong***Interfaces*

[RawLongReader](#)  
[RawLongWriter](#)

A marker for an object that can be used to access to a single long. Read and write access to that long is checked by the factory that creates the instance; therefore, no access checking is provided by this interface.

**Available since RTSJ version RTSJ 2.0**

**12.4.1.14 RawLongReader**

*Interfaces***RawMemory**

A marker for a long accessor object encapsulating the protocol for reading longs from raw memory. A long accessor can always access at least one long. Each long is transferred in a single atomic operation. Groups of longs may be transferred together; however, this is not required.

Objects of this type are created with the method `RawMemoryFactory.createRawLongReader`<sup>25</sup> and `RawMemoryFactory.createRawLong`<sup>26</sup>. Each object references a range of elements in the `RawMemoryRegion`<sup>27</sup> starting at the *base address* provided to the factory method. The size provided to the factor method determines the number of elements accessible.

Caching of the memory access is controlled by the factory that created this object. If the memory is not cached, this method guarantees serialized access. In other words, the memory access at the memory occurs in the same order as in the program. Multiple writes to the same location may not be coalesced.

**Available since RTSJ version RTSJ 2.0**

**12.4.1.14.1 Methods**

---

**getLong***Signature*

```
public  
long getLong()
```

*Returns*

the value at the *base address* provided to the factory method that created this object.

Get the value at the first position referenced by this instance, i.e., the value at its start address. This operation must be atomic with respect to all other raw memory accesses to the address.

**getLong(int)**

---

<sup>25</sup>Section [12.4.3.5.2](#)

<sup>26</sup>Section [12.4.3.5.2](#)

<sup>27</sup>Section [12.4.3.6](#)

*Signature*

```
public
long getLong(int offset)
throws OffsetOutOfBoundsException
```

*Parameters*

*offset* of long in the memory region starting from the address specified in the associated factory method.

*Throws*

*OffsetOutOfBoundsException* when *offset* is negative or greater than or equal to the number of elements in the raw memory region.

*Returns*

the value at the address specified.

Get the value of the  $n^{\text{th}}$  element referenced by this instance, where *n* is *offset* and the address is *base address* + (*offset* \* *stride* \* *element size in bytes*). When an exception is thrown, no data is transferred.

**get(int, long[])***Signature*

```
public
int get(int offset, long[] values)
throws OffsetOutOfBoundsException, NullPointerException
```

*Parameters*

*offset* of the first long in the memory region to transfere  
*values* the array to received the longs

*Throws*

*OffsetOutOfBoundsException* when *offset* is negative or greater than or equal to the number of elements in the raw memory region.

*NullPointerException* when *values* is null.

*Returns*

the number of elements copied to *values*

Fill the *values* starting at the address referenced by this instance plus the offset scaled by the element size in bytes and the object's *stride*. Only the longs in the intersection of the start and end of *values* and the *base address* and the end of the memory region are transferred. When an exception is thrown, no data is transferred.

**get(int, long[], int, int)***Signature*

```
public
int get(int offset, long[] values, int start, int count)
```

throws `OffsetOutOfBoundsException`,  
`ArrayIndexOutOfBoundsException`, `NullPointerException`

*Parameters*

*offset* of the first long in the memory region to transfere  
*values* the array to received the longs  
*start* the first index in array to fill  
*count* the maximum number of longs to copy

*Throws*

`OffsetOutOfBoundsException` when `offset` is negative or either `offset` or `offset + count` is greater than or equal to the size of this raw memory area.  
`ArrayIndexOutOfBoundsException` when `start` is negative or either `start` or `start + count` is greater than or equal to the size of values.  
`NullPointerException` when `values` is null or `count` is negative.

*Returns*

the number of longs actually transfered.

Fill `values` with data from the memory region, where `offset` is first long in the memory region and `start` is the first index in `values`. The number of bytes transfered is the minimum of `count`, the *size* of the memory region minus `offset`, and length of `values` minus `start`. When an exception is thrown, no data is transfered.

#### 12.4.1.15 RawLongWriter

---

*Interfaces*

[RawMemory](#)

A marker for a long accessor object encapsulating the protocol for writing longs from raw memory. A long accessor can always access at least one long. Each long is transfered in a single atomic operation. Groups of longs may be transfered together; however, this is not required.

Objects of this type are created with the method [RawMemoryFactory.createRawLongWriter](#)<sup>28</sup> and [RawMemoryFactory.createRawLong](#)<sup>29</sup>. Each object references a range of elements in the [RawMemoryRegion](#)<sup>30</sup> starting at the *base address* provided to the factory method. The size provided to the factor method determines the number of elements accessible.

Caching of the memory access is controlled by the factory that created this object. If the memory is not cached, this method guarantees serialized access. In

---

<sup>28</sup>Section [12.4.3.5.2](#)

<sup>29</sup>Section [12.4.3.5.2](#)

<sup>30</sup>Section [12.4.3.6](#)

other words, the memory access at the memory occurs in the same order as in the program. Multiple writes to the same location may not be coalesced.

Available since RTSJ version RTSJ 2.0

#### 12.4.1.15.1 Methods

---

### **setLong(long)**

*Signature*

```
public
void setLong(long value)
```

Set the value at the first position referenced by this instance, i.e., the value at its start address. This operation must be atomic with respect to all other raw memory accesses to the address. When an exception is thrown, no data is transferred.

### **setLong(int, long)**

*Signature*

```
public
void setLong(int offset, long value)
throws OffsetOutOfBoundsException
```

*Parameters*

*offset* of long in the memory region.

*Throws*

*OffsetOutOfBoundsException* when *offset* is negative or greater than or equal to the number of elements in the raw memory region.

Set the value of the  $n^{\text{th}}$  element referenced by this instance, where *n* is *offset* and the address is *base address* + *offset* \* *size of Long*. This operation must be atomic with respect to all other raw memory accesses to the address. When an exception is thrown, no data is transferred.

### **set(int, long[])**

*Signature*

```
public
int set(int offset, long[] values)
```

throws `OffsetOutOfBoundsException`, `NullPointerException`

*Throws*

*OffsetOutOfBoundsException* when `offset` is negative or greater than or equal to the number of elements in the raw memory region.

*NullPointerException* when `values` is null.

*Returns*

the number of elements copied to `values`

Copy `values` to the raw memory starting at the address referenced by this instance plus the `offset` scaled by the element size in bytes and the objects `stride`. Only the longs in the intersection of `values` and the end of the memory region are transferred. When an exception is thrown, no data is transferred.

## `set(int, long[], int, int)`

*Signature*

```
public
int set(int offset, long[] values, int start, int count)
throws OffsetOutOfBoundsException,
      ArrayIndexOutOfBoundsException, NullPointerException
```

*Parameters*

*offset* of the first long in the memory region to set

*values* the array from which to retrieve the longs

*start* the first index in array to fill

*count* the maximum number of longs to copy

*Throws*

*OffsetOutOfBoundsException* when `offset` is negative or either `offset` or `offset + count` is greater than or equal to the size of this raw memory area.

*ArrayIndexOutOfBoundsException* when `start` is negative or either `start` or `start + count` is greater than or equal to the size of `values`.

*NullPointerException* when `values` is null.

*Returns*

the number of longs actually transferred.

Copy `values` to the memory region, where `offset` is first long in the memory region to write and `start` is the first index in `values` from which to read. The number of bytes transferred is the minimum of `count`, the *size* of the memory region minus `offset`, and length of `values` minus `start`. When an exception is thrown, no data is transferred.

### 12.4.1.16 RawMemory

---

A marker for all raw memory accessor objects.

**Available since RTSJ version RTSJ 2.0**

#### 12.4.1.16.1 Methods

---

##### **getAddress**

*Signature*

```
public  
long getAddress()
```

*Returns*

the first physical address this raw memory object can access.  
Get the base physical address of this object.

##### **getSize**

*Signature*

```
public  
int getSize()
```

*Returns*

the size of this raw memory  
Get the number of bytes that this object spans.

### 12.4.1.17 RawMemoryRegionFactory

---

**Available since RTSJ version RTSJ 2.0**



### 12.4.1.17.1 Methods

---

## getRegion

### Signature

```
public  
    javax.realtime.device.RawMemoryRegion getRegion()
```

Get the region for which this factory creates raw memory objects.

## getName

### Signature

```
public  
    java.lang.String getName()
```

Get the name of the region for which this factory creates raw memory objects.

## createRawByte(long, int, int)

### Signature

```
public  
    javax.realtime.device.RawByte createRawByte(long base, int  
    count, int stride)  
    throws SecurityException, OffsetOutOfBoundsException,  
    SizeOutOfBoundsException, UnsupportedRawMemoryRegionException,  
    MemoryTypeConflictException
```

### Parameters

*base* The starting physical address accessible through the returned instance.

*count* The number of memory elements accessible through the returned instance.

*stride* The distance to the next element in multiple of element count, where a value of 1 means the elements are adjacent in memory.

### Throws

*IllegalArgumentException* when **base** is negative, **count** is not greater than zero, or **stride** is not greater than zero.

*SecurityException* when the caller does not have permissions to access the given memory region or the specified range of addresses.

*OffsetOutOfBoundsException* when **base** is invalid.

*SizeOutOfBoundsException* when the memory addressed by the object would extend into an invalid range of memory.

*MemoryTypeConflictException* when **base** does not point to memory that matches the type served by this factory.

*Returns*

an object that implements `RawByte`<sup>31</sup> and supports access to the specified range in the memory region.

Create an instance of a class that implements `RawByte`<sup>32</sup> and accesses memory of `getRegion`<sup>33</sup> in the address range described by **base**, **stride**, and **count**. The actual extent of the memory addressed by the object is `stride * size of RawByte * count`. The object is allocated in the current memory area of the calling thread.

Available since RTSJ version RTSJ 2.0

## `createRawByteReader(long, int, int)`

*Signature*

```
public
javax.realtime.device.RawByteReader createRawByteReader(long
base, int count, int stride)
throws SecurityException, OffsetOutOfBoundsException,
SizeOutOfBoundsException, UnsupportedRawMemoryRegionException,
MemoryTypeConflictException
```

*Parameters*

*base* The starting physical address accessible through the returned instance.

*count* The number of memory elements accessible through the returned instance.

*stride* The distance to the next element in multiple of element count, where a value of 1 means the elements are adjacent in memory.

*Throws*

*IllegalArgumentException* when **base** is negative, **count** is not greater than zero, or **stride** is not greater than zero.

*SecurityException* when the caller does not have permissions to access the given memory region or the specified range of addresses.

*OffsetOutOfBoundsException* when **base** is invalid.

*SizeOutOfBoundsException* when the memory addressed by the object would extend into an invalid range of memory.

*MemoryTypeConflictException* when **base** does not point to memory that matches the type served by this factory.

---

<sup>31</sup>Section 12.4.1.1

<sup>32</sup>Section 12.4.1.1

<sup>33</sup>Section 12.4.1.17.1

*Returns*

an object that implements `RawByteReader`<sup>34</sup> and supports access to the specified range in the memory region.

Create an instance of a class that implements `RawByteReader`<sup>35</sup> and accesses memory of `getRegion`<sup>36</sup> in the address range described by `base`, `stride`, and `count`. The actual extent of the memory addressed by the object is `stride * size of RawByteReader * count`. The object is allocated in the current memory area of the calling thread.

Available since RTSJ version RTSJ 2.0

## `createRawByteWriter(long, int, int)`

*Signature*

```
public
javax.realtime.device.RawByteWriter createRawByteWriter(long
base, int count, int stride)
throws SecurityException, OffsetOutOfBoundsException,
SizeOutOfBoundsException, UnsupportedRawMemoryRegionException,
MemoryTypeConflictException
```

*Parameters*

*base* The starting physical address accessible through the returned instance.  
*count* The number of memory elements accessible through the returned instance.  
*stride* The distance to the next element in multiple of element count, where a value of 1 means the elements are adjacent in memory.

*Throws*

*IllegalArgumentException* when `base` is negative, `count` is not greater than zero, or `stride` is not greater than zero.  
*SecurityException* when the caller does not have permissions to access the given memory region or the specified range of addresses.  
*OffsetOutOfBoundsException* when `base` is invalid.  
*SizeOutOfBoundsException* when the memory addressed by the object would extend into an invalid range of memory.  
*MemoryTypeConflictException* when `base` does not point to memory that matches the type served by this factory.

---

<sup>34</sup>Section [12.4.1.2](#)

<sup>35</sup>Section [12.4.1.2](#)

<sup>36</sup>Section [12.4.1.17.1](#)

*Returns*

an object that implements `RawByteWriter`<sup>37</sup> and supports access to the specified range in the memory region.

Create an instance of a class that implements `RawByteWriter`<sup>38</sup> and accesses memory of `getRegion`<sup>39</sup> in the address range described by `base`, `stride`, and `count`. The actual extent of the memory addressed by the object is `stride * size of RawByteWriter * count`. The object is allocated in the current memory area of the calling thread.

Available since RTSJ version RTSJ 2.0

## `createRawShort(long, int, int)`

*Signature*

```
public
javax.realtime.device.RawShort createRawShort(long base, int
count, int stride)
throws SecurityException, OffsetOutOfBoundsException,
SizeOutOfBoundsException, UnsupportedRawMemoryRegionException,
MemoryTypeConflictException
```

*Parameters*

*base* The starting physical address accessible through the returned instance.

*count* The number of memory elements accessible through the returned instance.

*stride* The distance to the next element in multiple of element count, where a value of 1 means the elements are adjacent in memory.

*Throws*

*IllegalArgumentException* when `base` is negative, `count` is not greater than zero, or `stride` is not greater than zero.

*SecurityException* when the caller does not have permissions to access the given memory region or the specified range of addresses.

*OffsetOutOfBoundsException* when `base` is invalid.

*SizeOutOfBoundsException* when the memory addressed by the object would extend into an invalid range of memory.

*MemoryTypeConflictException* when `base` does not point to memory that matches the type served by this factory.

---

<sup>37</sup>Section 12.4.1.3

<sup>38</sup>Section 12.4.1.3

<sup>39</sup>Section 12.4.1.17.1

*Returns*

an object that implements `RawShort`<sup>40</sup> and supports access to the specified range in the memory region.

Create an instance of a class that implements `RawShort`<sup>41</sup> and accesses memory of `getRegion`<sup>42</sup> in the address range described by `base`, `stride`, and `count`. The actual extent of the memory addressed by the object is `stride * size of RawShort * count`. The object is allocated in the current memory area of the calling thread.

Available since RTSJ version RTSJ 2.0

## `createRawShortReader(long, int, int)`

*Signature*

```
public
javax.realtime.device.RawShortReader createRawShortReader(long
base, int count, int stride)
throws SecurityException, OffsetOutOfBoundsException,
SizeOutOfBoundsException, UnsupportedRawMemoryRegionException,
MemoryTypeConflictException
```

*Parameters*

*base* The starting physical address accessible through the returned instance.

*count* The number of memory elements accessible through the returned instance.

*stride* The distance to the next element in multiple of element count, where a value of 1 means the elements are adjacent in memory.

*Throws*

*IllegalArgumentException* when `base` is negative, `count` is not greater than zero, or `stride` is not greater than zero.

*SecurityException* when the caller does not have permissions to access the given memory region or the specified range of addresses.

*OffsetOutOfBoundsException* when `base` is invalid.

*SizeOutOfBoundsException* when the memory addressed by the object would extend into an invalid range of memory.

*MemoryTypeConflictException* when `base` does not point to memory that matches the type served by this factory.

*Returns*

---

<sup>40</sup>Section [12.4.1.18](#)

<sup>41</sup>Section [12.4.1.18](#)

<sup>42</sup>Section [12.4.1.17.1](#)

an object that implements `RawShortReader`<sup>43</sup> and supports access to the specified range in the memory region.

Create an instance of a class that implements `RawShortReader`<sup>44</sup> and accesses memory of `getRegion`<sup>45</sup> in the address range described by `base`, `stride`, and `count`. The actual extent of the memory addressed by the object is `stride * size of RawShortReader * count`. The object is allocated in the current memory area of the calling thread.

Available since RTSJ version RTSJ 2.0

## `createRawShortWriter(long, int, int)`

### *Signature*

```
public
javafx.realtime.device.RawShortWriter createRawShortWriter(long
base, int count, int stride)
throws SecurityException, OffsetOutOfBoundsExcepion,
SizeOutOfBoundsExcepion, UnsupportedRawMemoryRegionException,
MemoryTypeConflictException
```

### *Parameters*

*base* The starting physical address accessible through the returned instance.  
*count* The number of memory elements accessible through the returned instance.  
*stride* The distance to the next element in multiple of element count, where a value of 1 means the elements are adjacent in memory.

### *Throws*

*IllegalArgumentException* when `base` is negative, `count` is not greater than zero, or `stride` is not greater than zero.

*SecurityException* when the caller does not have permissions to access the given memory region or the specified range of addresses.

*OffsetOutOfBoundsExcepion* when `base` is invalid.

*SizeOutOfBoundsExcepion* when the memory addressed by the object would extend into an invalid range of memory.

*MemoryTypeConflictException* when `base` does not point to memory that matches the type served by this factory.

### *Returns*

---

<sup>43</sup>Section 12.4.1.19

<sup>44</sup>Section 12.4.1.19

<sup>45</sup>Section 12.4.1.17.1

an object that implements `RawShortWriter`<sup>46</sup> and supports access to the specified range in the memory region.

Create an instance of a class that implements `RawShortWriter`<sup>47</sup> and accesses memory of `getRegion`<sup>48</sup> in the address range described by `base`, `stride`, and `count`. The actual extent of the memory addressed by the object is `stride * size of RawShortWriter * count`. The object is allocated in the current memory area of the calling thread.

Available since RTSJ version RTSJ 2.0

## `createRawInt(long, int, int)`

### *Signature*

```
public
javax.realtime.device.RawInt createRawInt(long base, int count,
int stride)
throws SecurityException, OffsetOutOfBoundsException,
SizeOutOfBoundsException, UnsupportedRawMemoryRegionException,
MemoryTypeConflictException
```

### *Parameters*

*base* The starting physical address accessible through the returned instance.  
*count* The number of memory elements accessible through the returned instance.  
*stride* The distance to the next element in multiple of element count, where a value of 1 means the elements are adjacent in memory.

### *Throws*

*IllegalArgumentException* when `base` is negative, `count` is not greater than zero, or `stride` is not greater than zero.  
*SecurityException* when the caller does not have permissions to access the given memory region or the specified range of addresses.  
*OffsetOutOfBoundsException* when `base` is invalid.  
*SizeOutOfBoundsException* when the memory addressed by the object would extend into an invalid range of memory.  
*MemoryTypeConflictException* when `base` does not point to memory that matches the type served by this factory.

### *Returns*

---

<sup>46</sup>Section [12.4.1.20](#)

<sup>47</sup>Section [12.4.1.20](#)

<sup>48</sup>Section [12.4.1.17.1](#)

an object that implements `RawInt`<sup>49</sup> and supports access to the specified range in the memory region.

Create an instance of a class that implements `RawInt`<sup>50</sup> and accesses memory of `getRegion`<sup>51</sup> in the address range described by `base`, `stride`, and `count`. The actual extent of the memory addressed by the object is `stride * size of RawInt * count`. The object is allocated in the current memory area of the calling thread.

Available since RTSJ version RTSJ 2.0

## `createRawIntReader(long, int, int)`

### *Signature*

```
public
  javax.realtime.device.RawIntReader createRawIntReader(long base,
  int count, int stride)
  throws SecurityException, OffsetOutOfBoundsException,
  SizeOutOfBoundsException, UnsupportedRawMemoryRegionException,
  MemoryTypeConflictException
```

### *Parameters*

*base* The starting physical address accessible through the returned instance.  
*count* The number of memory elements accessible through the returned instance.  
*stride* The distance to the next element in multiple of element count, where a value of 1 means the elements are adjacent in memory.

### *Throws*

*IllegalArgumentException* when `base` is negative, `count` is not greater than zero, or `stride` is not greater than zero.  
*SecurityException* when the caller does not have permissions to access the given memory region or the specified range of addresses.  
*OffsetOutOfBoundsException* when `base` is invalid.  
*SizeOutOfBoundsException* when the memory addressed by the object would extend into an invalid range of memory.  
*MemoryTypeConflictException* when `base` does not point to memory that matches the type served by this factory.

### *Returns*

---

<sup>49</sup>Section 12.4.1.10

<sup>50</sup>Section 12.4.1.10

<sup>51</sup>Section 12.4.1.17.1



an object that implements `RawIntReader`<sup>52</sup> and supports access to the specified range in the memory region.

Create an instance of a class that implements `RawIntReader`<sup>53</sup> and accesses memory of `getRegion`<sup>54</sup> in the address range described by `base`, `stride`, and `count`. The actual extent of the memory addressed by the object is `stride * size of RawIntReader * count`. The object is allocated in the current memory area of the calling thread.

Available since RTSJ version RTSJ 2.0

## `createRawIntWriter(long, int, int)`

### Signature

```
public
javax.realtime.device.RawIntWriter createRawIntWriter(long base,
int count, int stride)
throws SecurityException, OffsetOutOfBoundsException,
SizeOutOfBoundsException, UnsupportedRawMemoryRegionException,
MemoryTypeConflictException
```

### Parameters

*base* The starting physical address accessible through the returned instance.  
*count* The number of memory elements accessible through the returned instance.  
*stride* The distance to the next element in multiple of element count, where a value of 1 means the elements are adjacent in memory.

### Throws

*IllegalArgumentException* when `base` is negative, `count` is not greater than zero, or `stride` is not greater than zero.  
*SecurityException* when the caller does not have permissions to access the given memory region or the specified range of addresses.  
*OffsetOutOfBoundsException* when `base` is invalid.  
*SizeOutOfBoundsException* when the memory addressed by the object would extend into an invalid range of memory.  
*MemoryTypeConflictException* when `base` does not point to memory that matches the type served by this factory.

### Returns

---

<sup>52</sup>Section [12.4.1.11](#)

<sup>53</sup>Section [12.4.1.11](#)

<sup>54</sup>Section [12.4.1.17.1](#)

an object that implements `RawIntWriter`<sup>55</sup> and supports access to the specified range in the memory region.

Create an instance of a class that implements `RawIntWriter`<sup>56</sup> and accesses memory of `getRegion`<sup>57</sup> in the address range described by `base`, `stride`, and `count`. The actual extent of the memory addressed by the object is `stride * size of RawIntWriter * count`. The object is allocated in the current memory area of the calling thread.

**Available since RTSJ version RTSJ 2.0**

## `createRawLong(long, int, int)`

### *Signature*

```
public
javax.realtime.device.RawLong createRawLong(long base, int
count, int stride)
throws SecurityException, OffsetOutOfBoundsException,
SizeOutOfBoundsException, UnsupportedRawMemoryRegionException,
MemoryTypeConflictException
```

### *Parameters*

*base* The starting physical address accessible through the returned instance.  
*count* The number of memory elements accessible through the returned instance.  
*stride* The distance to the next element in multiple of element count, where a value of 1 means the elements are adjacent in memory.

### *Throws*

*IllegalArgumentException* when `base` is negative, `count` is not greater than zero, or `stride` is not greater than zero.  
*SecurityException* when the caller does not have permissions to access the given memory region or the specified range of addresses.  
*OffsetOutOfBoundsException* when `base` is invalid.  
*SizeOutOfBoundsException* when the memory addressed by the object would extend into an invalid range of memory.  
*MemoryTypeConflictException* when `base` does not point to memory that matches the type served by this factory.

### *Returns*

---

<sup>55</sup>Section [12.4.1.12](#)

<sup>56</sup>Section [12.4.1.12](#)

<sup>57</sup>Section [12.4.1.17.1](#)

an object that implements `RawLong`<sup>58</sup> and supports access to the specified range in the memory region.

Create an instance of a class that implements `RawLong`<sup>59</sup> and accesses memory of `getRegion`<sup>60</sup> in the address range described by `base`, `stride`, and `count`. The actual extent of the memory addressed by the object is `stride * size of RawLong * count`. The object is allocated in the current memory area of the calling thread.

Available since RTSJ version RTSJ 2.0

## `createRawLongReader(long, int, int)`

### *Signature*

```
public
javax.realtime.device.RawLongReader createRawLongReader(long
base, int count, int stride)
throws SecurityException, OffsetOutOfBoundsException,
SizeOutOfBoundsException, UnsupportedRawMemoryRegionException,
MemoryTypeConflictException
```

### *Parameters*

*base* The starting physical address accessible through the returned instance.  
*count* The number of memory elements accessible through the returned instance.  
*stride* The distance to the next element in multiple of element count, where a value of 1 means the elements are adjacent in memory.

### *Throws*

*IllegalArgumentException* when `base` is negative, `count` is not greater than zero, or `stride` is not greater than zero.  
*SecurityException* when the caller does not have permissions to access the given memory region or the specified range of addresses.  
*OffsetOutOfBoundsException* when `base` is invalid.  
*SizeOutOfBoundsException* when the memory addressed by the object would extend into an invalid range of memory.  
*MemoryTypeConflictException* when `base` does not point to memory that matches the type served by this factory.

### *Returns*

an object that implements `RawLongReader`<sup>61</sup> and supports access to the spec-

---

<sup>58</sup>Section [12.4.1.13](#)

<sup>59</sup>Section [12.4.1.13](#)

<sup>60</sup>Section [12.4.1.17.1](#)

<sup>61</sup>Section [12.4.1.14](#)

ified range in the memory region.

Create an instance of a class that implements `RawLongReader`<sup>62</sup> and accesses memory of `getRegion`<sup>63</sup> in the address range described by `base`, `stride`, and `count`. The actual extent of the memory addressed by the object is `stride * size of RawLongReader * count`. The object is allocated in the current memory area of the calling thread.

Available since RTSJ version RTSJ 2.0

## `createRawLongWriter(long, int, int)`

### *Signature*

```
public
javafx.realtime.device.RawLongWriter createRawLongWriter(long
base, int count, int stride)
throws SecurityException, OffsetOutOfBoundsException,
SizeOutOfBoundsException, UnsupportedRawMemoryRegionException,
MemoryTypeConflictException
```

### *Parameters*

*base* The starting physical address accessible through the returned instance.  
*count* The number of memory elements accessible through the returned instance.  
*stride* The distance to the next element in multiple of element count, where a value of 1 means the elements are adjacent in memory.

### *Throws*

*IllegalArgumentException* when `base` is negative, `count` is not greater than zero, or `stride` is not greater than zero.  
*SecurityException* when the caller does not have permissions to access the given memory region or the specified range of addresses.  
*OffsetOutOfBoundsException* when `base` is invalid.  
*SizeOutOfBoundsException* when the memory addressed by the object would extend into an invalid range of memory.  
*MemoryTypeConflictException* when `base` does not point to memory that matches the type served by this factory.

### *Returns*

an object that implements `RawLongWriter`<sup>64</sup> and supports access to the specified range in the memory region.

---

<sup>62</sup>Section 12.4.1.14

<sup>63</sup>Section 12.4.1.17.1

<sup>64</sup>Section 12.4.1.15

Create an instance of a class that implements `RawLongWriter`<sup>65</sup> and accesses memory of `getRegion`<sup>66</sup> in the address range described by `base`, `stride`, and `count`. The actual extent of the memory addressed by the object is `stride * size of RawLongWriter * count`. The object is allocated in the current memory area of the calling thread.

Available since RTSJ version RTSJ 2.0

### `createRawFloat(long, int, int)`

#### *Signature*

```
public
javax.realtime.device.RawFloat createRawFloat(long base, int
count, int stride)
throws SecurityException, OffsetOutOfBoundsException,
SizeOutOfBoundsException, UnsupportedRawMemoryRegionException,
MemoryTypeConflictException
```

#### *Parameters*

*base* The starting physical address accessible through the returned instance.  
*count* The number of memory elements accessible through the returned instance.  
*stride* The distance to the next element in multiple of element count, where a value of 1 means the elements are adjacent in memory.

#### *Throws*

*IllegalArgumentException* when `base` is negative, `count` is not greater than zero, or `stride` is not greater than zero.  
*SecurityException* when the caller does not have permissions to access the given memory region or the specified range of addresses.  
*OffsetOutOfBoundsException* when `base` is invalid.  
*SizeOutOfBoundsException* when the memory addressed by the object would extend into an invalid range of memory.  
*MemoryTypeConflictException* when `base` does not point to memory that matches the type served by this factory.

#### *Returns*

an object that implements `RawFloat`<sup>67</sup> and supports access to the specified range in the memory region.

---

<sup>65</sup>Section 12.4.1.15

<sup>66</sup>Section 12.4.1.17.1

<sup>67</sup>Section 12.4.1.7

Create an instance of a class that implements `RawFloat`<sup>68</sup> and accesses memory of `getRegion`<sup>69</sup> in the address range described by `base`, `stride`, and `count`. The actual extent of the memory addressed by the object is `stride * size of RawFloat * count`. The object is allocated in the current memory area of the calling thread.

Available since RTSJ version RTSJ 2.0

## `createRawFloatReader(long, int, int)`

### *Signature*

```
public
  javax.realtime.device.RawFloatReader createRawFloatReader(long
  base, int count, int stride)
  throws SecurityException, OffsetOutOfBoundsException,
  SizeOutOfBoundsException, UnsupportedRawMemoryRegionException,
  MemoryTypeConflictException
```

### *Parameters*

*base* The starting physical address accessible through the returned instance.  
*count* The number of memory elements accessible through the returned instance.  
*stride* The distance to the next element in multiple of element count, where a value of 1 means the elements are adjacent in memory.

### *Throws*

*IllegalArgumentException* when `base` is negative, `count` is not greater than zero, or `stride` is not greater than zero.  
*SecurityException* when the caller does not have permissions to access the given memory region or the specified range of addresses.  
*OffsetOutOfBoundsException* when `base` is invalid.  
*SizeOutOfBoundsException* when the memory addressed by the object would extend into an invalid range of memory.  
*MemoryTypeConflictException* when `base` does not point to memory that matches the type served by this factory.

### *Returns*

an object that implements `RawFloatReader`<sup>70</sup> and supports access to the specified range in the memory region.

---

<sup>68</sup>Section 12.4.1.7

<sup>69</sup>Section 12.4.1.17.1

<sup>70</sup>Section 12.4.1.8

Create an instance of a class that implements `RawFloatReader`<sup>71</sup> and accesses memory of `getRegion`<sup>72</sup> in the address range described by `base`, `stride`, and `count`. The actual extent of the memory addressed by the object is `stride * size of RawFloatReader * count`. The object is allocated in the current memory area of the calling thread.

Available since RTSJ version RTSJ 2.0

### `createRawFloatWriter(long, int, int)`

#### *Signature*

```
public
javax.realtime.device.RawFloatWriter createRawFloatWriter(long
base, int count, int stride)
throws SecurityException, OffsetOutOfBoundsException,
SizeOutOfBoundsException, UnsupportedRawMemoryRegionException,
MemoryTypeConflictException
```

#### *Parameters*

*base* The starting physical address accessible through the returned instance.  
*count* The number of memory elements accessible through the returned instance.  
*stride* The distance to the next element in multiple of element count, where a value of 1 means the elements are adjacent in memory.

#### *Throws*

*IllegalArgumentException* when `base` is negative, `count` is not greater than zero, or `stride` is not greater than zero.  
*SecurityException* when the caller does not have permissions to access the given memory region or the specified range of addresses.  
*OffsetOutOfBoundsException* when `base` is invalid.  
*SizeOutOfBoundsException* when the memory addressed by the object would extend into an invalid range of memory.  
*MemoryTypeConflictException* when `base` does not point to memory that matches the type served by this factory.

#### *Returns*

an object that implements `RawFloatWriter`<sup>73</sup> and supports access to the specified range in the memory region.

---

<sup>71</sup>Section [12.4.1.8](#)

<sup>72</sup>Section [12.4.1.17.1](#)

<sup>73</sup>Section [12.4.1.9](#)

Create an instance of a class that implements `RawFloatWriter`<sup>74</sup> and accesses memory of `getRegion`<sup>75</sup> in the address range described by `base`, `stride`, and `count`. The actual extent of the memory addressed by the object is `stride * size of RawFloatWriter * count`. The object is allocated in the current memory area of the calling thread.

Available since RTSJ version RTSJ 2.0

## `createRawDouble(long, int, int)`

### *Signature*

```
public
  javax.realtime.device.RawDouble createRawDouble(long base, int
  count, int stride)
  throws SecurityException, OffsetOutOfBoundsException,
  SizeOutOfBoundsException, UnsupportedRawMemoryRegionException,
  MemoryTypeConflictException
```

### *Parameters*

*base* The starting physical address accessible through the returned instance.  
*count* The number of memory elements accessible through the returned instance.  
*stride* The distance to the next element in multiple of element count, where a value of 1 means the elements are adjacent in memory.

### *Throws*

*IllegalArgumentException* when `base` is negative, `count` is not greater than zero, or `stride` is not greater than zero.  
*SecurityException* when the caller does not have permissions to access the given memory region or the specified range of addresses.  
*OffsetOutOfBoundsException* when `base` is invalid.  
*SizeOutOfBoundsException* when the memory addressed by the object would extend into an invalid range of memory.  
*MemoryTypeConflictException* when `base` does not point to memory that matches the type served by this factory.

### *Returns*

an object that implements `RawDouble`<sup>76</sup> and supports access to the specified range in the memory region.

---

<sup>74</sup>Section 12.4.1.9

<sup>75</sup>Section 12.4.1.17.1

<sup>76</sup>Section 12.4.1.4



Create an instance of a class that implements `RawDouble`<sup>77</sup> and accesses memory of `getRegion`<sup>78</sup> in the address range described by `base`, `stride`, and `count`. The actual extent of the memory addressed by the object is `stride * size of RawDouble * count`. The object is allocated in the current memory area of the calling thread.

Available since RTSJ version RTSJ 2.0

## `createRawDoubleReader(long, int, int)`

### *Signature*

```
public
javax.realtime.device.RawDoubleReader createRawDoubleReader(long
base, int count, int stride)
throws SecurityException, OffsetOutOfBoundsException,
SizeOutOfBoundsException, UnsupportedRawMemoryRegionException,
MemoryTypeConflictException
```

### *Parameters*

*base* The starting physical address accessible through the returned instance.  
*count* The number of memory elements accessible through the returned instance.  
*stride* The distance to the next element in multiple of element count, where a value of 1 means the elements are adjacent in memory.

### *Throws*

*IllegalArgumentException* when `base` is negative, `count` is not greater than zero, or `stride` is not greater than zero.  
*SecurityException* when the caller does not have permissions to access the given memory region or the specified range of addresses.  
*OffsetOutOfBoundsException* when `base` is invalid.  
*SizeOutOfBoundsException* when the memory addressed by the object would extend into an invalid range of memory.  
*MemoryTypeConflictException* when `base` does not point to memory that matches the type served by this factory.

### *Returns*

an object that implements `RawDoubleReader`<sup>79</sup> and supports access to the specified range in the memory region.

---

<sup>77</sup>Section 12.4.1.4

<sup>78</sup>Section 12.4.1.17.1

<sup>79</sup>Section 12.4.1.5

Create an instance of a class that implements `RawDoubleReader`<sup>80</sup> and accesses memory of `getRegion`<sup>81</sup> in the address range described by `base`, `stride`, and `count`. The actual extent of the memory addressed by the object is `stride * size of RawDoubleReader * count`. The object is allocated in the current memory area of the calling thread.

**Available since RTSJ version RTSJ 2.0**

## `createRawDoubleWriter(long, int, int)`

### *Signature*

```
public
javax.realtime.device.RawDoubleWriter createRawDoubleWriter(long
base, int count, int stride)
throws SecurityException, OffsetOutOfBoundsException,
SizeOutOfBoundsException, UnsupportedRawMemoryRegionException,
MemoryTypeConflictException
```

### *Parameters*

*base* The starting physical address accessible through the returned instance.  
*count* The number of memory elements accessible through the returned instance.  
*stride* The distance to the next element in multiple of element count, where a value of 1 means the elements are adjacent in memory.

### *Throws*

*IllegalArgumentException* when `base` is negative, `count` is not greater than zero, or `stride` is not greater than zero.  
*SecurityException* when the caller does not have permissions to access the given memory region or the specified range of addresses.  
*OffsetOutOfBoundsException* when `base` is invalid.  
*SizeOutOfBoundsException* when the memory addressed by the object would extend into an invalid range of memory.  
*MemoryTypeConflictException* when `base` does not point to memory that matches the type served by this factory.

### *Returns*

an object that implements `RawDoubleWriter`<sup>82</sup> and supports access to the specified range in the memory region.

---

<sup>80</sup>Section 12.4.1.5

<sup>81</sup>Section 12.4.1.17.1

<sup>82</sup>Section 12.4.1.6

Create an instance of a class that implements `RawDoubleWriter`<sup>83</sup> and accesses memory of `getRegion`<sup>84</sup> in the address range described by `base`, `stride`, and `count`. The actual extent of the memory addressed by the object is `stride * size of RawDoubleWriter * count`. The object is allocated in the current memory area of the calling thread.

Available since RTSJ version RTSJ 2.0

#### 12.4.1.18 RawShort

---

##### Interfaces

`RawShortReader`

`RawShortWriter`

A marker for an object that can be used to access to a single short. Read and write access to that short is checked by the factory that creates the instance; therefore, no access checking is provided by this interface.

Available since RTSJ version RTSJ 2.0

#### 12.4.1.19 RawShortReader

---

##### Interfaces

`RawMemory`

A marker for a short accessor object encapsulating the protocol for reading shorts from raw memory. A short accessor can always access at least one short. Each short is transferred in a single atomic operation. Groups of shorts may be transferred together; however, this is not required.

Objects of this type are created with the method `RawMemoryFactory.createRawShortReader`<sup>85</sup> and `RawMemoryFactory.createRawShort`<sup>86</sup>. Each object references a range of elements in the `RawMemoryRegion`<sup>87</sup> starting at the *base address* provided to the factory

---

<sup>83</sup>Section 12.4.1.6

<sup>84</sup>Section 12.4.1.17.1

<sup>85</sup>Section 12.4.3.5.2

<sup>86</sup>Section 12.4.3.5.2

<sup>87</sup>Section 12.4.3.6

method. The size provided to the factor method determines the number of elements accessible.

Caching of the memory access is controlled by the factory that created this object. If the memory is not cached, this method guarantees serialized access. In other words, the memory access at the memory occurs in the same order as in the program. Multiple writes to the same location may not be coalesced.

**Available since RTSJ version RTSJ 2.0**

#### 12.4.1.19.1 Methods

---

### **getShort**

*Signature*

```
public
short getShort()
```

*Returns*

the value at the *base address* provided to the factory method that created this object.

Get the value at the first position referenced by this instance, i.e., the value at its start address. This operation must be atomic with respect to all other raw memory accesses to the address.

### **getShort(int)**

*Signature*

```
public
short getShort(int offset)
throws OffsetOutOfBoundsException
```

*Parameters*

*offset* of short in the memory region starting from the address specified in the associated factory method.

*Throws*

*OffsetOutOfBoundsException* when *offset* is negative or greater than or equal to the number of elements in the raw memory region.

*Returns*

the value at the address specified.

Get the value of the  $n^{\text{th}}$  element referenced by this instance, where **n** is **offset** and the address is *base address* + (**offset** \* stride \* *element size in bytes*). When an exception is thrown, no data is transferred.

### **get(int, short[])**

#### *Signature*

```
public
int get(int offset, short[] values)
throws OffsetOutOfBoundsException, NullPointerException
```

#### *Parameters*

*offset* of the first short in the memory region to transfere  
*values* the array to received the shorts

#### *Throws*

*OffsetOutOfBoundsException* when **offset** is negative or greater than or equal to the number of elements in the raw memory region.  
*NullPointerException* when **values** is null.

#### *Returns*

the number of elements copied to **values**

Fill the **values** starting at the address referenced by this instance plus the offset scaled by the element size in bytes and the object's **stride**. Only the shorts in the intersection of the start and end of **values** and the *base address* and the end of the memory region are transferred. When an exception is thrown, no data is transferred.

### **get(int, short[], int, int)**

#### *Signature*

```
public
int get(int offset, short[] values, int start, int count)
throws OffsetOutOfBoundsException,
ArrayIndexOutOfBoundsException, NullPointerException
```

#### *Parameters*

*offset* of the first short in the memory region to transfere  
*values* the array to received the shorts  
*start* the first index in array to fill  
*count* the maximum number of shorts to copy

#### *Throws*

*OffsetOutOfBoundsException* when **offset** is negative or either **offset** or **offset** + **count** is greater than or equal to the size of this raw memory area.  
*ArrayIndexOutOfBoundsException* when **start** is negative or either **start** or **start** + **count** is greater than or equal to the size of values.

*NullPointerException* when `values` is null or `count` is negative.

*Returns*

the number of shorts actually transferred.

Fill `values` with data from the memory region, where `offset` is first short in the memory region and `start` is the first index in `values`. The number of bytes transferred is the minimum of `count`, the *size* of the memory region minus `offset`, and length of `values` minus `start`. When an exception is thrown, no data is transferred.

### 12.4.1.20 RawShortWriter

---

*Interfaces*

`RawMemory`

A marker for a short accessor object encapsulating the protocol for writing shorts from raw memory. A short accessor can always access at least one short. Each short is transferred in a single atomic operation. Groups of shorts may be transferred together; however, this is not required.

Objects of this type are created with the method `RawMemoryFactory.createRawShortWriter` and `RawMemoryFactory.createRawShort`<sup>89</sup>. Each object references a range of elements in the `RawMemoryRegion`<sup>90</sup> starting at the *base address* provided to the factory method. The size provided to the factor method determines the number of elements accessible.

Caching of the memory access is controlled by the factory that created this object. If the memory is not cached, this method guarantees serialized access. In other words, the memory access at the memory occurs in the same order as in the program. Multiple writes to the same location may not be coalesced.

**Available since RTSJ version RTSJ 2.0**

#### 12.4.1.20.1 Methods

---

**setShort(short)**

*Signature*

---

<sup>88</sup>Section 12.4.3.5.2

<sup>89</sup>Section 12.4.3.5.2

<sup>90</sup>Section 12.4.3.6

```
public
void setShort(short value)
```

Set the value at the first position referenced by this instance, i.e., the value at its start address. This operation must be atomic with respect to all other raw memory accesses to the address. When an exception is thrown, no data is transferred.

### setShort(int, short)

#### Signature

```
public
void setShort(int offset, short value)
throws OffsetOutOfBoundsException
```

#### Parameters

*offset* of short in the memory region.

#### Throws

*OffsetOutOfBoundsException* when *offset* is negative or greater than or equal to the number of elements in the raw memory region.

Set the value of the  $n^{\text{th}}$  element referenced by this instance, where *n* is *offset* and the address is *base address* + *offset* \* *size of Short*. This operation must be atomic with respect to all other raw memory accesses to the address. When an exception is thrown, no data is transferred.

### set(int, short[])

#### Signature

```
public
int set(int offset, short[] values)
throws OffsetOutOfBoundsException, NullPointerException
```

#### Throws

*OffsetOutOfBoundsException* when *offset* is negative or greater than or equal to the number of elements in the raw memory region.

*NullPointerException* when *values* is null.

#### Returns

the number of elements copied to *values*

Copy *values* to the raw memory starting at the address referenced by this instance plus the *offset* scaled by the element size in bytes and the objects *stride*. Only the shorts in the intersection of *values* and the end of the memory region are transferred. When an exception is thrown, no data is transferred.

## set(int, short[], int, int)

### Signature

```
public
int set(int offset, short[] values, int start, int count)
throws OffsetOutOfBoundsException,
ArrayIndexOutOfBoundsException, NullPointerException
```

### Parameters

*offset* of the first short in the memory region to set  
*values* the array from which to retrieve the shorts  
*start* the first index in array to fill  
*count* the maximum number of shorts to copy

### Throws

*OffsetOutOfBoundsException* when *offset* is negative or either *offset* or *offset + count* is greater than or equal to the size of this raw memory area.  
*ArrayIndexOutOfBoundsException* when *start* is negative or either *start* or *start + count* is greater than or equal to the size of values.  
*NullPointerException* when *values* is null.

### Returns

the number of shorts actually transferred.

Copy *values* to the memory region, where *offset* is first short in the memory region to write and *start* is the first index in *values* from which to read. The number of bytes transferred is the minimum of *count*, the *size* of the memory region minus *offset*, and length of *values* minus *start*. When an exception is thrown, no data is transferred.

## 12.4.2 Exceptions

### 12.4.2.1 UnsupportedRawMemoryRegionException

---

#### Inheritance

```
java.lang.Object
  java.lang.Throwable
    java.lang.Exception
      java.lang.RuntimeException
        javax.realtime.device.UnsupportedRawMemoryRegionException
```

#### 12.4.2.1.1 Fields

---



```
serialVersionUID  
    private static final serialVersionUID
```

#### 12.4.2.1.2 Constructors

---

### UnsupportedRawMemoryRegionException

*Signature*

```
public  
    UnsupportedRawMemoryRegionException()
```

### UnsupportedRawMemoryRegionException(String)

*Signature*

```
public  
    UnsupportedRawMemoryRegionException(String s)
```

### UnsupportedRawMemoryRegionException(Throwable)

*Signature*

```
public  
    UnsupportedRawMemoryRegionException(Throwable ex)
```

### UnsupportedRawMemoryRegionException(String, Throwable)

*Signature*

```
public  
    UnsupportedRawMemoryRegionException(String s, Throwable ex)
```

## 12.4.3 Classes

### 12.4.3.1 Happening

---

#### Inheritance

```
java.lang.Object
  javax.realtime.AbstractAsyncEvent
    javax.realtime.AsyncEvent
      javax.realtime.device.Happening
```

#### Interfaces

```
ActiveEvent
```

This class provides second level handling for external events such as interrupts. A happening can be triggered by an [InterruptServiceRoutine](#)<sup>91</sup> or from native code. Application defined Happenings can be identified by an application provided name or a system provided `id`, both of which must be unique. A system `Happening` has a name provide by the system which is a string beginning with `@`.

Available since RTSJ version RTSJ 2.0

#### 12.4.3.1.1 Constructors

---

### Happening(String)

#### Signature

```
public
  Happening(String name)
```

```
throws IllegalStateException, IllegalArgumentException
```

#### Parameters

*name* of the happening.

Create a `Happening` with the given name.

---

<sup>91</sup>Section [12.4.3.3](#)

## Happening(String, HappeningDispatcher)

### Signature

```
public
    Happening(String name, HappeningDispatcher dispatcher)
```

throws `IllegalStateException`, `IllegalArgumentException`

### Parameters

*name* of the happening.

*dispatcher* to use when being triggered.

Create a `Happening` with the given name.

### 12.4.3.1.2 Methods

---

## getHappening(String)

### Signature

```
public static
    javax.realtime.device.Happening getHappening(String name)
```

### Parameters

*name* of the happening to get.

### Returns

a reference to the happening with name `name`, or `null` if no happening is found.

Find a running happening by its name.

## createID(String)

### Signature

```
public static
    int createID(String name)
```

### Parameters

*name* a string that might name a running happening.

### Throws

`IllegalStateException` when `name` is already registered.

### Returns

an ID assigned by the system

Sets up a mapping between a `name` and a system dependent ID. This should be done either in the constructor of an instance of `InterruptServiceRoutine`<sup>92</sup> or in native code that sets up an interrupt service routine in native code. Once create, it cannot be removed.

This must take no more than linear time in the number of ID (`n`) registered, but should be  $O(\ln(n))$ .

### **getID(String)**

*Signature*

```
public static
int getID(String name)
```

*Parameters*

*name* a string that might name a running happening.

*Returns*

The ID, or zero if no happening is found by that name.

Return the ID of `name`, when one exists or -1, when `name` is not registered.

This must take no more than linear time in the number of ID (`n`) registered, but should be  $O(\ln(n))$ .

### **isHappening(String)**

*Signature*

```
public static
boolean isHappening(String name)
```

*Parameters*

*name* A string that might name a running happening.

*Returns*

True iff there is a running happening with name `name`.

Is there a running happening with name `name`?

### **trigger(int)**

*Signature*

```
public static
boolean trigger(int id)
```

*Parameters*

*id* identifies which happening to trigger.

*Returns*

---

<sup>92</sup>Section 12.4.3.3

true if a happening with id `happeningId` was found, false otherwise.

Causes the event dispatcher corresponding to `happeningId` to be scheduled for execution. This should be light-weight so that it can be done in the context of the happening.

`trigger()` and any native code analog interact with other [ActiveEvent<sup>93</sup>](#) code effectively as if `trigger()` signals a POSIX counting semaphore that the happening is waiting on.

The implementation is encouraged to create (and document) a native code analog to this method that can be used without a Java context.

This method must execute in constant time.

## start

### Signature

```
public
void start()
throws IllegalStateException
```

### Throws

*IllegalStateException* when this *Happening* has already been started or its *name* is already in use by another happening that has been started.

Start this *Happening*, i.e., change to the active state. Once a happening is started the first time, when in in a scoped memory it increments the scope count of that scope; otherwise, it becomes a member of the root set. An active happening dispatches its handlers when fired.

See [Section stop\(\)](#)

## start(boolean)

### Signature

```
public
void start(boolean disabled)
throws IllegalStateException
```

### Parameters

*disabled* true for starting in a disabled state.

### Throws

*IllegalStateException* when this *Happening* has already been started.

---

<sup>93</sup>Section [8.4.1.1](#)

Start this `Happening`, but leave it in the disabled state. When it fires before being enabled, it does not dispatch its handlers.

See [Section `stop\(\)`](#)

## **stop**

*Signature*

```
public
boolean stop()
throws IllegalStateException
```

*Throws*

*IllegalStateException* when this `Happening` is not running.

*Returns*

`true` when `this` is in the *enabled* state `false` otherwise.

Stop this happening from responding to the `fire` and `trigger` methods.

## **isActive**

*Signature*

```
public
boolean isActive()
```

*Returns*

`true` when active, `false` otherwise.

Determine the activation state of this happening, i.e., it has been started.

## **isEnabled**

*Signature*

```
public
boolean isEnabled()
```

*Returns*

`true` when releasing, `false` when skipping.

Determine the firing state (releasing or skipping) of this happening, i.e., it is enabled.

## **isRunning**

*Signature*

```
public
boolean isRunning()
```

### 12.4.3.2 HappeningDispatcher

---

#### Inheritance

```
java.lang.Object
  javax.realtime.ActiveEventDispatcher
    javax.realtime.device.HappeningDispatcher
```

This class provides a means of dispatching a set of [Happening](#)<sup>94</sup>. The `process()` method is called each time the signal is triggered.

#### 12.4.3.2.1 Constructors

---

### HappeningDispatcher(SchedulingParameters)

#### *Signature*

```
public
  HappeningDispatcher(SchedulingParameters schedule)
```

#### *Parameters*

*schedule* give the parameters for scheduling this dispatcher

Create a new dispatcher, whose dispatching thread runs with the given scheduling parameters.

#### 12.4.3.2.2 Methods

---

### getDefaultHappeningDispatcher

#### *Signature*

```
public static
  javax.realtime.device.HappeningDispatcher
  getDefaultHappeningDispatcher()
```

#### *Returns*

the default happening dispatcher.

---

<sup>94</sup>Section [12.4.3.1](#)

This provides a means of obtaining the system provided happening dispatcher so that new happenings can be use it.

## **dispatch(Happening)**

*Signature*

```
protected abstract
void dispatch(Happening happening)
```

*Parameters*

*happening* to dispatch

Actually dispatch the [Happening<sup>95</sup>](#). This can be overridden in a subclass to provide for more sophisticated dispatching.

## **register(Happening)**

*Signature*

```
final
void register(Happening happening)
```

*Parameters*

*happening* to register

Register a [Happening<sup>96</sup>](#) with this dispatcher.

## **unregister(Happening)**

*Signature*

```
final
void unregister(Happening happening)
```

*Parameters*

*happening* to unregister

Deregister a Happening form this dispatcher. (This is a really naive implementation.)

## **trigger(Happening)**

*Signature*

```
final
void trigger(Happening happening)
```

*Parameters*

---

<sup>95</sup>Section [12.4.3.1](#)

<sup>96</sup>Section [12.4.3.1](#)



*happening* the happening that needs to be dispatched  
Queue the happening for dispatching by this dispatcher. This should only be called from `@{link Happening#trigger()}`.

### 12.4.3.3 InterruptServiceRoutine

---

#### Inheritance

java.lang.Object  
  javax.realtime.device.InterruptServiceRoutine

A class for defining a first level interrupt handler. The implementation must override the `handle`<sup>97</sup> method to provide the code to be run when an interrupt occurs. This class must always be present in the Device module, but may do nothing in a context that does not provide direct access to interrupts, e.g., in user space on an operating system that does not support user space device drivers.

#### 12.4.3.3.1 Constructors

---

### InterruptServiceRoutine(MemoryArea)

#### Signature

```
public  
    InterruptServiceRoutine(MemoryArea area)
```

#### Parameters

*area* in which the handler is run.

#### Throws

*NullPointerException* when `initial_area` is null.

*IllegalArgumentException* when `id` is not a valid interrupt id.

Create an interrupt service routine with a particular memory area.

#### 12.4.3.3.2 Methods

---

---

<sup>97</sup>Section [12.4.3.3.2](#)

## getMaximumInterruptPriority

### *Signature*

```
public static
int getMaximumInterruptPriority()
```

### *Returns*

the maximum interrupt priority.

Retrieve the maximum interrupt priority. It must be greater than or equal to the result of [getMinimumInterruptPriority](#)<sup>98</sup>.

## getMinimumInterruptPriority

### *Signature*

```
public static
int getMinimumInterruptPriority()
```

### *Returns*

the minimum interrupt priority.

Retrieve the minimum interrupt priority. It must be higher than all other priorities provided by the system.

## handle

### *Signature*

```
protected abstract
void handle()
```

The code to execute for first level interrupt handling. A subclass defines this to give the required behavior. No code that could self-suspend may be called here. Unless the overridden method is synchronized, the infrastructure shall provide no synchronization for the execution of this method. When the [MemoryArea](#)<sup>99</sup> provided at creation is a [ScopedMemory](#)<sup>100</sup>, its count is incremented on entry to this method and decremented on exit.

## getName

### *Signature*

```
public final
java.lang.String getName()
```

### *Returns*

---

<sup>98</sup>Section [12.4.3.3.2](#)

<sup>99</sup>Section [11.4.3.7](#)

<sup>100</sup>Section [11.4.3.12](#)

the name of this interrupt service routine.  
Get the name of this interrupt service routine.

## register(int)

### Signature

```
public
void register(int interrupt)
throws RegistrationException
```

### Parameters

*interrupt* a system dependent identifier for the interrupt.

### Throws

*RegistrationException* when this interrupt service routine is already registered  
Register this interrupt service routine with the system so that it can be triggered.

## unregister

### Signature

```
public
void unregister()
throws DeregistrationException
```

### Throws

*DeregistrationException* when this interrupt service routine is not registered.  
Unregister this interrupt service routine with the system so that it can no longer be triggered.

## isRegistered

### Signature

```
public final
boolean isRegistered()
```

### Returns

true when registered, otherwise false.  
Registration predicate

## getHandler(int)

### Signature

```
public static
javax.realtime.device.InterruptServiceRoutine getHandler(int
interrupt)
```

*Returns*

the `InterruptServiceRoutine` registered to the given interrupt. `Null` is returned when nothing is registered for that interrupt.

See what `InterruptServiceRoutine` is handling a given interrupt.

**getInterruptPriority(int)***Signature*

```
public static
int getInterruptPriority(int InterruptId)
```

*Throws*

*IllegalArgumentException* if there is no interrupt corresponding to `InterruptId`

*Returns*

the priority the code is run at that services the given interrupt. The returned value is always greater than `PriorityScheduler.getMaxPriority()`<sup>101</sup>.

Get the interrupt priority of a given interrupt.

**12.4.3.4 RawBufferFactory****Inheritance**

```
java.lang.Object
  javax.realtime.device.RawBufferFactory
```

A factory class for generating raw byte buffers. This is useful for limiting the area from which a buffer may be taken.

**12.4.3.4.1 Constructors****RawBufferFactory(long, long)***Signature*

```
public
  RawBufferFactory(long base, long size)
```

```
throws MemoryInUseException
```

<sup>101</sup>Section 6.4.2.6.3

*Parameters*

*base* is the base address of a memory range for buffer allocation

*size* is the number of bytes in the memory range

*Throws*

*MemoryInUseException* when the memory area provide is already in use by or reserved for a [MemoryArea](#)<sup>102</sup>, program code, or other sytem or VM structure.

Create a factory for allocating buffers in a particular memory area. Whether the address is physical or virtual is system dependent.

**Open issue:** jjh—I am not sure how to handle the issue of mapping addresses that the system knows about to ones that can be used in a DMA controller or other driver that requires buffers. Alternatives include providing more information to the factory or having a translation function to get the "right" address. An implementation may need or need to provide a means of mapping a physical page into virtual memory.

**End of open issue**

## 12.4.3.4.2 Methods

**allocateDirectByteBuffer(int)***Signature*

```
public
java.nio.ByteBuffer allocateDirectByteBuffer(int capacity)
```

*Parameters*

*capacity* the number of bytes in the buffer.

*Returns*

the new buffer.

Create a direct byte buffer with the given capacity within the range of this factory.

**Open issue:** jjh—what if a subclass is needed? One could add a reflection call, but it would be hard to implement in general. **End of open issue**

**defineDirectByteBuffer(long, int)***Signature*

```
public
java.nio.ByteBuffer defineDirectByteBuffer(long start, int
capacity)
throws RangeOutOfBoundsException
```

<sup>102</sup>Section [11.4.3.7](#)

*Parameters*

*start* is the beginning of the memory range

*capacity* is number of bytes in the range

*Throws*

*RangeOutOfBoundsException* when `start` or `start + capacity` extends outside of the allocation area of this factory.

*Returns*

the new buffer object

Given a range of memory within the allocation area defined by this factory, create a direct byte buffer to represent that memory range.

**inRange(Buffer)***Signature*

```
public
boolean inRange(Buffer buffer)
```

*Parameters*

*buffer* to check

*Returns*

`true` when and only when *buffer*'s data area is within the range of this factory; otherwise `false`

Check to see if the *buffer*'s data area is within the range of this factory.

**addressOf(ByteBuffer)***Signature*

```
public
long addressOf(ByteBuffer buffer)
```

*Parameters*

*buffer*

*Returns*

the start address of the data range of this *buffer*

Give the location of this *buffer*'s data in memory. The address should be usable for use in a device driver.

**writeFence(ByteBuffer)***Signature*

```
public static
void writeFence(ByteBuffer buffer)
```

*Parameters*

*buffer* the byte buffer which will be flushed

Ensures that all changes to the `DirectByteBuffer` buffer by the current thread have been flushed to its backing memory in a manner that makes it visible to other threads (including native threads), and behaves as a volatile store with respect to the Java Memory Model synchronization order.

This method should invoke a memory barrier operation that is understood by the VM, runtime, native compiler, and platform to provide visibility to all changes to the associated buffer made before its invocation.

## readFence(ByteBuffer)

### Signature

```
public static
void readFence(ByteBuffer buffer)
```

### Parameters

*buffer* the byte buffer which will be updated

Ensures that any previous changes to the backing memory of the given `DirectByteBuffer` by other threads (including native threads) will be visible when it is next accessed by the current thread, and behaves as a volatile load with respect to the Java Memory Model synchronization order.

This method should invoke a memory barrier operation that is understood by the VM, runtime, native compiler, and platform to provide visibility for any changes to the associated buffer previously flushed with a call to `writeFence(ByteBuffer buffer)`<sup>103</sup> or its native equivalent on the buffer's backing memory.

### 12.4.3.5 RawMemoryFactory

---

#### Inheritance

```
java.lang.Object
  javax.realtime.device.RawMemoryFactory
```

This class is the hub of a system that constructs special purpose objects to access particular types and ranges of raw memory. This facility is supported by the `register(RawMemoryRegionFactory)`<sup>104</sup> methods. An application developer can use this method to add support for any ram memory region that is not supported out of the box.

---

<sup>103</sup>Section 12.4.3.4.2

<sup>104</sup>Section 12.4.3.5.2

Each create method returns an object of the corresponding type, e.g., the `createRawByte(RawMemoryRegion, long, int, int)`<sup>105</sup> method returns a reference to an object that implements the `RawByte`<sup>106</sup> interface and supports access to the requested type of memory and address range. Each create method is permitted to optimize error checking and access based on the requested memory type and address range.

The usage pattern for raw memory, assuming the necessary factory has been registered, is illustrated by this example.

```
// Get an accessor object that can access memory starting at
// baseAddress, for size bytes.
RawInt memory =
    RawMemoryFactory.createRawInt(RawMemoryRegion.MEMORY_MAPPED_REGION
                                address, count, stride, false);

// Use the accessor to load from and store to raw memory.
int loadedData = memory.getInt(someOffset);
memory.setInt(otherOffset, intVal);
```

When an application needs to access a class of memory that is not already supported by a registered factory, the developer must define a memory region by implementing a factory which can create objects to access memory in that region. Thus, the application must implement a factory that implements the `RawMemoryRegionFactory`<sup>107</sup> interface.

A raw memory region factory is identified by a `RawMemoryRegion`<sup>108</sup> that is used by each create method, e.g., `createRawByte(RawMemoryRegion, long, int, int)`<sup>109</sup>, to locate the appropriate factory. The name is not passed to `register(RawMemoryRegionFactory)` as an argument; the name is available to `register(RawMemoryRegionFactory)`<sup>111</sup> through the factory's `RawMemoryRegionFactory.getName`<sup>112</sup> method.

The `register(RawMemoryRegionFactory)`<sup>113</sup> method is only used when by application code when it needs to add support for a new type of raw memory.

Whether an offset addresses the high-order or low-order byte is normally based on the value of the `RealtimeSystem.BYTE_ORDER`<sup>114</sup> static byte variable in class `RealtimeSystem`<sup>115</sup>. If the type of memory supported by a raw memory accessor

---

<sup>105</sup>Section 12.4.3.5.2

<sup>106</sup>Section 12.4.1.1

<sup>107</sup>Section 12.4.1.17

<sup>108</sup>Section 12.4.3.6

<sup>109</sup>Section 12.4.3.5.2

<sup>110</sup>Section 12.4.3.5.2

<sup>111</sup>Section 12.4.3.5.2

<sup>112</sup>Section 12.4.1.17.1

<sup>113</sup>Section 12.4.3.5.2

<sup>114</sup>Section 13.3.1.6.1

<sup>115</sup>Section 13.3.1.6



class implements non-standard byte ordering, accessor methods in that instance continue to select bytes starting at `offset` from the base address and continuing toward greater addresses. The accessor instance may control the mapping of these bytes into the primitive data type. The accessor could even select bytes that are not contiguous. In each case the documentation for the raw memory access factory must document any mapping other than the "normal" one specified above.

The `RawMemory` class enables a realtime program to implement device drivers, memory-mapped I/O, flash memory, battery-backed RAM, and similar low-level software.

A raw memory region cannot contain references to Java objects. Such a capability would be unsafe (since it could be used to defeat Java's type checking) and error prone (since it is sensitive to the specific representational choices made by the Java compiler).

Atomic loads and stores on raw memory are defined in terms of physical memory. This memory may be accessible to threads outside the JVM and to non-programmed access (e.g., DMA), consequently atomic access must be supported by hardware. This specification is written with the assumption that all suitable hardware platforms support atomic loads from raw memory for aligned bytes, shorts, and ints. Atomic access beyond the specified minimum may be supported by the implementation.

Storing values into raw memory is more hardware-dependent than loading values. Many processor architectures do not support atomic stores of variables except for aligned stores of the processor's word size. For instance, storing a byte into memory might require reading a 32-bit quantity into a processor register, updating the register to reflect the new byte value, then re-storing the whole 32-bit quantity. Changes to other bytes in the 32-bit quantity that take place between the load and the store are lost.

Some processors have mechanisms that can be used to implement an atomic store of a byte, but those mechanisms are often slow and not universally supported.

This class need not support unaligned access to data; but if it does, it is not require the implementation to make such access atomic. Accesses to data aligned on its natural boundary will be atomic if the processor implements atomic loads and stores of that data size.

Except where noted, accesses to raw memory are not atomic with respect to the memory or with respect to schedulable objects. A raw memory region could be updated by another schedulable object, or even unmapped in the middle of an access method, or even *removed* mid method.

The characteristics of raw-memory access are necessarily platform dependent. This specification provides a minimum requirement for the RTSJ platform, but it also supports optional system properties that identify a platform's level of support for atomic raw put and get. The properties represent a four-dimensional sparse

array with boolean values indicating whether that combination of access attributes is atomic. The default value for array entries is false. The dimension are

Attribute	Values	Comment
Access type	read, write	
Data type	<ul style="list-style-type: none"> <li>• byte,</li> <li>• short,</li> <li>• int,</li> <li>• long,</li> <li>• float,</li> <li>• double</li> </ul>	
Alignment	0 to 7	<p>For each data type, the possible alignments range from</p> <ul style="list-style-type: none"> <li>• 0 == aligned</li> <li>• to data size - 1 == only the first byte of the data is <i>alignment</i> bytes away from natural alignment.</li> </ul>
Atomicity	<ul style="list-style-type: none"> <li>• processor,</li> <li>• smp,</li> <li>• memory</li> </ul>	<ul style="list-style-type: none"> <li>• <i>processor</i> means access is atomic with respect to other schedulable objects on that processor.</li> <li>• <i>smp</i> means that access is <i>processor</i> atomic, and atomic with respect across the processors in an SMP.</li> <li>• <i>memory</i> means that access is <i>smp</i> atomic, and atomic with respect to all access to the memory including DMA.</li> </ul>

The true values in the table are represented by properties of the following form. `javax.realtime.atomicaccess_<access>_<type>_<alignment>_atomicity=true` for ex-

ample,

```
javax.realtime.atomicaccess_read_byte_0_memory=true
```

Table entries with a value of false may be explicitly represented, but since false is the default value, such properties are redundant.

All raw memory access is treated as volatile, and *serialized*. The runtime must be forced to read memory or write to memory on each call to a raw memory object's getter or setter method, and to complete the reads and writes in the order they appear in the program order.

**Open issue:** Do we need these properties? **End of open issue**

**Available since RTSJ version RTSJ 2.0**

#### 12.4.3.5.1 Constructors

---

### RawMemoryFactory

*Signature*

```
public  
    RawMemoryFactory()
```

#### 12.4.3.5.2 Methods

---

### register(RawMemoryRegionFactory)

*Signature*

```
public static  
    void register(RawMemoryRegionFactory factory)
```

### deregister(RawMemoryRegionFactory)

*Signature*

```
public static  
    void deregister(RawMemoryRegionFactory factory)
```

**createRawByte(RawMemoryRegion, long, int, int)***Signature*

```
public
javax.realtime.device.RawByte createRawByte(RawMemoryRegion
region, long base, int count, int stride)
throws SecurityException, OffsetOutOfBoundsExcesion,
SizeOutOfBoundsExcesion, MemoryTypeConflictExcesion,
UnsupportedRawMemoryRegionExcesion
```

*Parameters*

*base* The starting physical address accessible through the returned instance.  
*count* The number of memory elements accessible through the returned instance.  
*stride* The distance to the next element as a multiple of element size, where 1 means the elements are adjacent in memory.

*Throws*

*IllegalArgumentExcesion* when **base** is negative, **count** is not greater than zero, or **stride** is less than one.  
*SecurityExcesion* when the caller does not have permissions to access the given memory region or the specified range of addresses.  
*OffsetOutOfBoundsExcesion* when **base** is invalid.  
*SizeOutOfBoundsExcesion* when the memory addressed by the object would extend into an invalid range of memory.  
*MemoryTypeConflictExcesion* when **base** does not point to memory that matches the type served by this factory.

*Returns*

an object that implements [RawByte<sup>116</sup>](#) and supports access to the specified range in the memory region.

Create an instance of a class that implements [RawByte<sup>117</sup>](#) and accesses memory of **region** in the address range described by **base**, **stride**, and **count**. The actual extent of the memory addressed by the object is **stride \* size of RawByte \* count**. The object is allocated in the current memory area of the calling thread.

**Available since RTSJ version RTSJ 2.0**

**createRawByteReader(RawMemoryRegion, long, int, int)**


---

<sup>116</sup>Section [12.4.1.1](#)

<sup>117</sup>Section [12.4.1.1](#)

*Signature*

```
public
javax.realtime.device.RawByteReader
createRawByteReader(RawMemoryRegion region, long base, int
count, int stride)
throws SecurityException, OffsetOutOfBoundsException,
SizeOutOfBoundsException, MemoryTypeConflictException,
UnsupportedRawMemoryRegionException
```

*Parameters*

*base* The starting physical address accessible through the returned instance.  
*count* The number of memory elements accessible through the returned instance.  
*stride* The distance to the next element as a multiple of element size, where 1 means the elements are adjacent in memory.

*Throws*

*IllegalArgumentException* when **base** is negative, **count** is not greater than zero, or **stride** is less than one.  
*SecurityException* when the caller does not have permissions to access the given memory region or the specified range of addresses.  
*OffsetOutOfBoundsException* when **base** is invalid.  
*SizeOutOfBoundsException* when the memory addressed by the object would extend into an invalid range of memory.  
*MemoryTypeConflictException* when **base** does not point to memory that matches the type served by this factory.

*Returns*

an object that implements [RawByteReader](#)<sup>118</sup> and supports access to the specified range in the memory region.

Create an instance of a class that implements [RawByteReader](#)<sup>119</sup> and accesses memory of **region** in the address range described by **base**, **stride**, and **count**. The actual extent of the memory addressed by the object is **stride** \* *size of RawByteReader* \* **count**. The object is allocated in the current memory area of the calling thread.

Available since RTSJ version RTSJ 2.0

**createRawByteWriter(RawMemoryRegion, long, int, int)**

---

<sup>118</sup>Section [12.4.1.2](#)

<sup>119</sup>Section [12.4.1.2](#)

*Signature*

```
public
  javax.realtime.device.RawByteWriter
  createRawByteWriter(RawMemoryRegion region, long base, int
    count, int stride)
  throws SecurityException, OffsetOutOfBoundsException,
  SizeOutOfBoundsException, MemoryTypeConflictException,
  UnsupportedRawMemoryRegionException
```

*Parameters*

*base* The starting physical address accessible through the returned instance.  
*count* The number of memory elements accessible through the returned instance.  
*stride* The distance to the next element as a multiple of element size, where 1 means the elements are adjacent in memory.

*Throws*

*IllegalArgumentException* when **base** is negative, **count** is not greater than zero, or **stride** is less than one.  
*SecurityException* when the caller does not have permissions to access the given memory region or the specified range of addresses.  
*OffsetOutOfBoundsException* when **base** is invalid.  
*SizeOutOfBoundsException* when the memory addressed by the object would extend into an invalid range of memory.  
*MemoryTypeConflictException* when **base** does not point to memory that matches the type served by this factory.

*Returns*

an object that implements [RawByteWriter](#)<sup>120</sup> and supports access to the specified range in the memory region.

Create an instance of a class that implements [RawByteWriter](#)<sup>121</sup> and accesses memory of **region** in the address range described by **base**, **stride**, and **count**. The actual extent of the memory addressed by the object is **stride** \* *size of RawByteWriter* \* **count**. The object is allocated in the current memory area of the calling thread.

**Available since RTSJ version RTSJ 2.0**

**createRawShort(RawMemoryRegion, long, int, int)**

---

<sup>120</sup>Section [12.4.1.3](#)

<sup>121</sup>Section [12.4.1.3](#)

*Signature*

```
public
javafx.runtime.device.RawShort createRawShort(RawMemoryRegion
region, long base, int count, int stride)
throws SecurityException, OffsetOutOfBoundsException,
SizeOutOfBoundsException, MemoryTypeConflictException,
UnsupportedRawMemoryRegionException
```

*Parameters*

*base* The starting physical address accessible through the returned instance.  
*count* The number of memory elements accessible through the returned instance.  
*stride* The distance to the next element as a multiple of element size, where 1 means the elements are adjacent in memory.

*Throws*

*IllegalArgumentException* when **base** is negative, **count** is not greater than zero, or **stride** is less than one.  
*SecurityException* when the caller does not have permissions to access the given memory region or the specified range of addresses.  
*OffsetOutOfBoundsException* when **base** is invalid.  
*SizeOutOfBoundsException* when the memory addressed by the object would extend into an invalid range of memory.  
*MemoryTypeConflictException* when **base** does not point to memory that matches the type served by this factory.

*Returns*

an object that implements [RawShort](#)<sup>122</sup> and supports access to the specified range in the memory region.

Create an instance of a class that implements [RawShort](#)<sup>123</sup> and accesses memory of **region** in the address range described by **base**, **stride**, and **count**. The actual extent of the memory addressed by the object is **stride \* size of RawShort \* count**. The object is allocated in the current memory area of the calling thread.

Available since RTSJ version RTSJ 2.0

## **createRawShortReader(RawMemoryRegion, long, int, int)**

*Signature*

```
public
```

---

<sup>122</sup>Section [12.4.1.18](#)

<sup>123</sup>Section [12.4.1.18](#)

```

javax.realtime.device.RawShortReader createRawShort-
Reader(RawMemoryRegion region, long base, int count, int stride)
throws SecurityException, OffsetOutOfBoundsException,
SizeOutOfBoundsException, MemoryTypeConflictException,
UnsupportedRawMemoryRegionException

```

*Parameters*

*base* The starting physical address accessible through the returned instance.  
*count* The number of memory elements accessible through the returned instance.  
*stride* The distance to the next element as a multiple of element size, where 1 means the elements are adjacent in memory.

*Throws*

*IllegalArgumentException* when **base** is negative, **count** is not greater than zero, or **stride** is less than one.  
*SecurityException* when the caller does not have permissions to access the given memory region or the specified range of addresses.  
*OffsetOutOfBoundsException* when **base** is invalid.  
*SizeOutOfBoundsException* when the memory addressed by the object would extend into an invalid range of memory.  
*MemoryTypeConflictException* when **base** does not point to memory that matches the type served by this factory.

*Returns*

an object that implements [RawShortReader](#)<sup>124</sup> and supports access to the specified range in the memory region.

Create an instance of a class that implements [RawShortReader](#)<sup>125</sup> and accesses memory of **region** in the address range described by **base**, **stride**, and **count**. The actual extent of the memory addressed by the object is **stride** \* *size of RawShortReader* \* **count**. The object is allocated in the current memory area of the calling thread.

**Available since RTSJ version RTSJ 2.0**

**createRawShortWriter(RawMemoryRegion, long, int, int)**

*Signature*

public

---

<sup>124</sup>Section [12.4.1.19](#)

<sup>125</sup>Section [12.4.1.19](#)



```
javax.realtime.device.RawShortWriter createRawShort-
Writer(RawMemoryRegion region, long base, int count, int stride)
throws SecurityException, OffsetOutOfBoundsException,
SizeOutOfBoundsException, MemoryTypeConflictException,
UnsupportedRawMemoryRegionException
```

*Parameters*

*base* The starting physical address accessible through the returned instance.  
*count* The number of memory elements accessible through the returned instance.  
*stride* The distance to the next element as a multiple of element size, where 1 means the elements are adjacent in memory.

*Throws*

*IllegalArgumentException* when **base** is negative, **count** is not greater than zero, or **stride** is less than one.  
*SecurityException* when the caller does not have permissions to access the given memory region or the specified range of addresses.  
*OffsetOutOfBoundsException* when **base** is invalid.  
*SizeOutOfBoundsException* when the memory addressed by the object would extend into an invalid range of memory.  
*MemoryTypeConflictException* when **base** does not point to memory that matches the type served by this factory.

*Returns*

an object that implements `RawShortWriter`<sup>126</sup> and supports access to the specified range in the memory region.

Create an instance of a class that implements `RawShortWriter`<sup>127</sup> and accesses memory of **region** in the address range described by **base**, **stride**, and **count**. The actual extent of the memory addressed by the object is **stride** \* *size of RawShortWriter* \* **count**. The object is allocated in the current memory area of the calling thread.

**Available since RTSJ version RTSJ 2.0**

**createRawInt(RawMemoryRegion, long, int, int)**

*Signature*

public

---

<sup>126</sup>Section [12.4.1.20](#)

<sup>127</sup>Section [12.4.1.20](#)

```

javax.realtime.device.RawInt createRawInt(RawMemoryRegion
region, long base, int count, int stride)
throws SecurityException, OffsetOutOfBoundsException,
SizeOutOfBoundsException, MemoryTypeConflictException,
UnsupportedRawMemoryRegionException

```

*Parameters*

*base* The starting physical address accessible through the returned instance.

*count* The number of memory elements accessible through the returned instance.

*stride* The distance to the next element as a multiple of element size, where 1 means the elements are adjacent in memory.

*Throws*

*IllegalArgumentException* when **base** is negative, **count** is not greater than zero, or **stride** is less than one.

*SecurityException* when the caller does not have permissions to access the given memory region or the specified range of addresses.

*OffsetOutOfBoundsException* when **base** is invalid.

*SizeOutOfBoundsException* when the memory addressed by the object would extend into an invalid range of memory.

*MemoryTypeConflictException* when **base** does not point to memory that matches the type served by this factory.

*Returns*

an object that implements `RawInt`<sup>128</sup> and supports access to the specified range in the memory region.

Create an instance of a class that implements `RawInt`<sup>129</sup> and accesses memory of **region** in the address range described by **base**, **stride**, and **count**. The actual extent of the memory addressed by the object is  $\text{stride} * \text{size of RawInt} * \text{count}$ . The object is allocated in the current memory area of the calling thread.

**Available since RTSJ version RTSJ 2.0**

## **createRawIntReader(RawMemoryRegion, long, int, int)**

*Signature*

```

public
javax.realtime.device.RawIntReader
createRawIntReader(RawMemoryRegion region, long base, int count,

```

---

<sup>128</sup>Section 12.4.1.10

<sup>129</sup>Section 12.4.1.10

```
int stride)
throws SecurityException, OffsetOutOfBoundsException,
SizeOutOfBoundsException, MemoryTypeConflictException,
UnsupportedRawMemoryRegionException
```

*Parameters*

*base* The starting physical address accessible through the returned instance.  
*count* The number of memory elements accessible through the returned instance.  
*stride* The distance to the next element as a multiple of element size, where 1 means the elements are adjacent in memory.

*Throws*

*IllegalArgumentException* when **base** is negative, **count** is not greater than zero, or **stride** is less than one.  
*SecurityException* when the caller does not have permissions to access the given memory region or the specified range of addresses.  
*OffsetOutOfBoundsException* when **base** is invalid.  
*SizeOutOfBoundsException* when the memory addressed by the object would extend into an invalid range of memory.  
*MemoryTypeConflictException* when **base** does not point to memory that matches the type served by this factory.

*Returns*

an object that implements [RawIntReader](#)<sup>130</sup> and supports access to the specified range in the memory region.

Create an instance of a class that implements [RawIntReader](#)<sup>131</sup> and accesses memory of **region** in the address range described by **base**, **stride**, and **count**. The actual extent of the memory addressed by the object is **stride** \* *size of RawIntReader* \* **count**. The object is allocated in the current memory area of the calling thread.

**Available since RTSJ version RTSJ 2.0**

## **createRawIntWriter(RawMemoryRegion, long, int, int)**

*Signature*

```
public
javax.realtime.device.RawIntWriter
createRawIntWriter(RawMemoryRegion region, long base, int count,
int stride)
```

---

<sup>130</sup>Section [12.4.1.11](#)

<sup>131</sup>Section [12.4.1.11](#)

throws `SecurityException`, `OffsetOutOfBoundsException`,  
`SizeOutOfBoundsException`, `MemoryTypeConflictException`,  
`UnsupportedRawMemoryRegionException`

*Parameters*

*base* The starting physical address accessible through the returned instance.  
*count* The number of memory elements accessible through the returned instance.  
*stride* The distance to the next element as a multiple of element size, where 1 means the elements are adjacent in memory.

*Throws*

*IllegalArgumentException* when `base` is negative, `count` is not greater than zero, or `stride` is less than one.  
*SecurityException* when the caller does not have permissions to access the given memory region or the specified range of addresses.  
*OffsetOutOfBoundsException* when `base` is invalid.  
*SizeOutOfBoundsException* when the memory addressed by the object would extend into an invalid range of memory.  
*MemoryTypeConflictException* when `base` does not point to memory that matches the type served by this factory.

*Returns*

an object that implements `RawIntWriter`<sup>132</sup> and supports access to the specified range in the memory region.

Create an instance of a class that implements `RawIntWriter`<sup>133</sup> and accesses memory of `region` in the address range described by `base`, `stride`, and `count`. The actual extent of the memory addressed by the object is `stride * size of RawIntWriter * count`. The object is allocated in the current memory area of the calling thread.

**Available since RTSJ version RTSJ 2.0**

**`createRawLong(RawMemoryRegion, long, int, int)`**

*Signature*

```
public
  javax.realtime.device.RawLong createRawLong(RawMemoryRegion
    region, long base, int count, int stride)
  throws SecurityException, OffsetOutOfBoundsException,
  SizeOutOfBoundsException, MemoryTypeConflictException,
```

---

<sup>132</sup>Section [12.4.1.12](#)

<sup>133</sup>Section [12.4.1.12](#)

**UnsupportedRawMemoryRegionException***Parameters*

*base* The starting physical address accessible through the returned instance.  
*count* The number of memory elements accessible through the returned instance.  
*stride* The distance to the next element as a multiple of element size, where 1 means the elements are adjacent in memory.

*Throws*

*IllegalArgumentException* when **base** is negative, **count** is not greater than zero, or **stride** is less than one.  
*SecurityException* when the caller does not have permissions to access the given memory region or the specified range of addresses.  
*OffsetOutOfBoundsException* when **base** is invalid.  
*SizeOutOfBoundsException* when the memory addressed by the object would extend into an invalid range of memory.  
*MemoryTypeConflictException* when **base** does not point to memory that matches the type served by this factory.

*Returns*

an object that implements [RawLong](#)<sup>134</sup> and supports access to the specified range in the memory region.

Create an instance of a class that implements [RawLong](#)<sup>135</sup> and accesses memory of **region** in the address range described by **base**, **stride**, and **count**. The actual extent of the memory addressed by the object is **stride \* size of RawLong \* count**. The object is allocated in the current memory area of the calling thread.

**Available since RTSJ version RTSJ 2.0**

**createRawLongReader(RawMemoryRegion, long, int, int)***Signature*

```
public
javax.realtime.device.RawLongReader
createRawLongReader(RawMemoryRegion region, long base, int
count, int stride)
throws SecurityException, OffsetOutOfBoundsException,
SizeOutOfBoundsException, MemoryTypeConflictException,
UnsupportedRawMemoryRegionException
```

---

<sup>134</sup>Section [12.4.1.13](#)

<sup>135</sup>Section [12.4.1.13](#)

*Parameters*

*base* The starting physical address accessible through the returned instance.  
*count* The number of memory elements accessible through the returned instance.  
*stride* The distance to the next element as a multiple of element size, where 1 means the elements are adjacent in memory.

*Throws*

*IllegalArgumentException* when **base** is negative, **count** is not greater than zero, or **stride** is less than one.  
*SecurityException* when the caller does not have permissions to access the given memory region or the specified range of addresses.  
*OffsetOutOfBoundsException* when **base** is invalid.  
*SizeOutOfBoundsException* when the memory addressed by the object would extend into an invalid range of memory.  
*MemoryTypeConflictException* when **base** does not point to memory that matches the type served by this factory.

*Returns*

an object that implements [RawLongReader](#)<sup>136</sup> and supports access to the specified range in the memory region.

Create an instance of a class that implements [RawLongReader](#)<sup>137</sup> and accesses memory of **region** in the address range described by **base**, **stride**, and **count**. The actual extent of the memory addressed by the object is **stride** \* *size of RawLongReader* \* **count**. The object is allocated in the current memory area of the calling thread.

Available since RTSJ version RTSJ 2.0

## createRawLongWriter(RawMemoryRegion, long, int, int)

*Signature*

```
public
  javax.realtime.device.RawLongWriter createRawLong-
  Writer(RawMemoryRegion region, long base, int count, int stride)
  throws SecurityException, OffsetOutOfBoundsException,
  SizeOutOfBoundsException, MemoryTypeConflictException,
  UnsupportedRawMemoryRegionException
```

*Parameters*


---

<sup>136</sup>Section [12.4.1.14](#)

<sup>137</sup>Section [12.4.1.14](#)

*base* The starting physical address accessible through the returned instance.  
*count* The number of memory elements accessible through the returned instance.  
*stride* The distance to the next element as a multiple of element size, where 1 means the elements are adjacent in memory.

*Throws*

*IllegalArgumentException* when **base** is negative, **count** is not greater than zero, or **stride** is less than one.

*SecurityException* when the caller does not have permissions to access the given memory region or the specified range of addresses.

*OffsetOutOfBoundsException* when **base** is invalid.

*SizeOutOfBoundsException* when the memory addressed by the object would extend into an invalid range of memory.

*MemoryTypeConflictException* when **base** does not point to memory that matches the type served by this factory.

*Returns*

an object that implements [RawLongWriter](#)<sup>138</sup> and supports access to the specified range in the memory region.

Create an instance of a class that implements [RawLongWriter](#)<sup>139</sup> and accesses memory of **region** in the address range described by **base**, **stride**, and **count**. The actual extent of the memory addressed by the object is **stride** \* *size of RawLongWriter* \* **count**. The object is allocated in the current memory area of the calling thread.

Available since RTSJ version RTSJ 2.0

## createRawFloat(RawMemoryRegion, long, int, int)

*Signature*

```
public
javafx.realtime.device.RawFloat createRawFloat(RawMemoryRegion
region, long base, int count, int stride)
throws SecurityException, OffsetOutOfBoundsException,
SizeOutOfBoundsException, MemoryTypeConflictException,
UnsupportedRawMemoryRegionException
```

*Parameters*

*base* The starting physical address accessible through the returned instance.

---

<sup>138</sup>Section [12.4.1.15](#)

<sup>139</sup>Section [12.4.1.15](#)

*count* The number of memory elements accessible through the returned instance.

*stride* The distance to the next element as a multiple of element size, where 1 means the elements are adjacent in memory.

#### Throws

*IllegalArgumentException* when **base** is negative, **count** is not greater than zero, or **stride** is less than one.

*SecurityException* when the caller does not have permissions to access the given memory region or the specified range of addresses.

*OffsetOutOfBoundsException* when **base** is invalid.

*SizeOutOfBoundsException* when the memory addressed by the object would extend into an invalid range of memory.

*MemoryTypeConflictException* when **base** does not point to memory that matches the type served by this factory.

#### Returns

an object that implements `RawFloat`<sup>140</sup> and supports access to the specified range in the memory region.

Create an instance of a class that implements `RawFloat`<sup>141</sup> and accesses memory of **region** in the address range described by **base**, **stride**, and **count**. The actual extent of the memory addressed by the object is **stride** \* *size of RawFloat* \* **count**. The object is allocated in the current memory area of the calling thread.

Available since RTSJ version RTSJ 2.0

## **createRawFloatReader(RawMemoryRegion, long, int, int)**

#### Signature

```
public
  javax.realtime.device.RawFloatReader
  createRawFloatReader(RawMemoryRegion region, long base, int
    count, int stride)
  throws SecurityException, OffsetOutOfBoundsException,
    SizeOutOfBoundsException, MemoryTypeConflictException,
    UnsupportedRawMemoryRegionException
```

#### Parameters

*base* The starting physical address accessible through the returned instance.

---

<sup>140</sup>Section 12.4.1.7

<sup>141</sup>Section 12.4.1.7



*count* The number of memory elements accessible through the returned instance.

*stride* The distance to the next element as a multiple of element size, where 1 means the elements are adjacent in memory.

#### Throws

*IllegalArgumentException* when **base** is negative, **count** is not greater than zero, or **stride** is less than one.

*SecurityException* when the caller does not have permissions to access the given memory region or the specified range of addresses.

*OffsetOutOfBoundsException* when **base** is invalid.

*SizeOutOfBoundsException* when the memory addressed by the object would extend into an invalid range of memory.

*MemoryTypeConflictException* when **base** does not point to memory that matches the type served by this factory.

#### Returns

an object that implements [RawFloatReader](#)<sup>142</sup> and supports access to the specified range in the memory region.

Create an instance of a class that implements [RawFloatReader](#)<sup>143</sup> and accesses memory of **region** in the address range described by **base**, **stride**, and **count**. The actual extent of the memory addressed by the object is **stride** \* *size of RawFloatReader* \* **count**. The object is allocated in the current memory area of the calling thread.

Available since RTSJ version RTSJ 2.0

## createRawFloatWriter(RawMemoryRegion, long, int, int)

#### Signature

```
public
  javax.realtime.device.RawFloatWriter
  createRawFloatWriter(RawMemoryRegion region, long base, int
    count, int stride)
  throws SecurityException, OffsetOutOfBoundsException,
    SizeOutOfBoundsException, MemoryTypeConflictException,
    UnsupportedRawMemoryRegionException
```

#### Parameters

*base* The starting physical address accessible through the returned instance.

---

<sup>142</sup>Section [12.4.1.8](#)

<sup>143</sup>Section [12.4.1.8](#)

*count* The number of memory elements accessible through the returned instance.

*stride* The distance to the next element as a multiple of element size, where 1 means the elements are adjacent in memory.

*Throws*

*IllegalArgumentException* when **base** is negative, **count** is not greater than zero, or **stride** is less than one.

*SecurityException* when the caller does not have permissions to access the given memory region or the specified range of addresses.

*OffsetOutOfBoundsException* when **base** is invalid.

*SizeOutOfBoundsException* when the memory addressed by the object would extend into an invalid range of memory.

*MemoryTypeConflictException* when **base** does not point to memory that matches the type served by this factory.

*Returns*

an object that implements `RawFloatWriter`<sup>144</sup> and supports access to the specified range in the memory region.

Create an instance of a class that implements `RawFloatWriter`<sup>145</sup> and accesses memory of **region** in the address range described by **base**, **stride**, and **count**. The actual extent of the memory addressed by the object is **stride** \* *size of RawFloatWriter* \* **count**. The object is allocated in the current memory area of the calling thread.

**Available since RTSJ version RTSJ 2.0**

## **createRawDouble(RawMemoryRegion, long, int, int)**

*Signature*

```
public
javax.realtime.device.RawDouble createRawDouble(RawMemoryRegion
region, long base, int count, int stride)
throws SecurityException, OffsetOutOfBoundsException,
SizeOutOfBoundsException, MemoryTypeConflictException,
UnsupportedRawMemoryRegionException
```

*Parameters*

*base* The starting physical address accessible through the returned instance.

*count* The number of memory elements accessible through the returned instance.

---

<sup>144</sup>Section 12.4.1.9

<sup>145</sup>Section 12.4.1.9

*stride* The distance to the next element as a multiple of element size, where 1 means the elements are adjacent in memory.

*Throws*

*IllegalArgumentException* when **base** is negative, **count** is not greater than zero, or **stride** is less than one.

*SecurityException* when the caller does not have permissions to access the given memory region or the specified range of addresses.

*OffsetOutOfBoundsException* when **base** is invalid.

*SizeOutOfBoundsException* when the memory addressed by the object would extend into an invalid range of memory.

*MemoryTypeConflictException* when **base** does not point to memory that matches the type served by this factory.

*Returns*

an object that implements `RawDouble`<sup>146</sup> and supports access to the specified range in the memory region.

Create an instance of a class that implements `RawDouble`<sup>147</sup> and accesses memory of **region** in the address range described by **base**, **stride**, and **count**. The actual extent of the memory addressed by the object is **stride** \* *size of RawDouble* \* **count**. The object is allocated in the current memory area of the calling thread.

Available since RTSJ version RTSJ 2.0

## **createRawDoubleReader(RawMemoryRegion, long, int, int)**

*Signature*

```
public
javax.realtime.device.RawDoubleReader
createRawDoubleReader(RawMemoryRegion region, long base, int
count, int stride)
throws SecurityException, OffsetOutOfBoundsException,
SizeOutOfBoundsException, MemoryTypeConflictException,
UnsupportedRawMemoryRegionException
```

*Parameters*

*base* The starting physical address accessible through the returned instance.

*count* The number of memory elements accessible through the returned instance.

---

<sup>146</sup>Section [12.4.1.4](#)

<sup>147</sup>Section [12.4.1.4](#)

*stride* The distance to the next element as a multiple of element size, where 1 means the elements are adjacent in memory.

*Throws*

*IllegalArgumentException* when **base** is negative, **count** is not greater than zero, or **stride** is less than one.

*SecurityException* when the caller does not have permissions to access the given memory region or the specified range of addresses.

*OffsetOutOfBoundsException* when **base** is invalid.

*SizeOutOfBoundsException* when the memory addressed by the object would extend into an invalid range of memory.

*MemoryTypeConflictException* when **base** does not point to memory that matches the type served by this factory.

*Returns*

an object that implements `RawDoubleReader`<sup>148</sup> and supports access to the specified range in the memory region.

Create an instance of a class that implements `RawDoubleReader`<sup>149</sup> and accesses memory of **region** in the address range described by **base**, **stride**, and **count**. The actual extent of the memory addressed by the object is **stride** \* *size of RawDoubleReader* \* **count**. The object is allocated in the current memory area of the calling thread.

**Available since RTSJ version RTSJ 2.0**

**createRawDoubleWriter(RawMemoryRegion, long, int, int)**

*Signature*

```
public
  javax.realtime.device.RawDoubleWriter
  createRawDoubleWriter(RawMemoryRegion region, long base, int
  count, int stride)
  throws SecurityException, OffsetOutOfBoundsException,
  SizeOutOfBoundsException, MemoryTypeConflictException,
  UnsupportedRawMemoryRegionException
```

*Parameters*

*base* The starting physical address accessible through the returned instance.

---

<sup>148</sup>Section 12.4.1.5

<sup>149</sup>Section 12.4.1.5

*count* The number of memory elements accessible through the returned instance.

*stride* The distance to the next element as a multiple of element size, where 1 means the elements are adjacent in memory.

#### Throws

*IllegalArgumentException* when **base** is negative, **count** is not greater than zero, or **stride** is less than one.

*SecurityException* when the caller does not have permissions to access the given memory region or the specified range of addresses.

*OffsetOutOfBoundsException* when **base** is invalid.

*SizeOutOfBoundsException* when the memory addressed by the object would extend into an invalid range of memory.

*MemoryTypeConflictException* when **base** does not point to memory that matches the type served by this factory.

#### Returns

an object that implements [RawDoubleWriter](#)<sup>150</sup> and supports access to the specified range in the memory region.

Create an instance of a class that implements [RawDoubleWriter](#)<sup>151</sup> and accesses memory of **region** in the address range described by **base**, **stride**, and **count**. The actual extent of the memory addressed by the object is **stride** \* *size of RawDoubleWriter* \* **count**. The object is allocated in the current memory area of the calling thread.

Available since RTSJ version RTSJ 2.0

### 12.4.3.6 RawMemoryRegion

---

#### Inheritance

java.lang.Object

[javax.realtime.device.RawMemoryRegion](#)

`RawMemoryRegion` is a tagging class for objects that identify raw memory regions. It is returned by the [RawMemoryRegionFactory.getRegion](#)<sup>152</sup> methods of the raw memory region factory classes, and it is used with methods such as [RawMemoryFactory.createRawByte\(RawMemoryRegion, long, int, int\)](#)<sup>153</sup> and [RawMemo-](#)

---

<sup>150</sup>Section [12.4.1.6](#)

<sup>151</sup>Section [12.4.1.6](#)

<sup>152</sup>Section [12.4.1.17.1](#)

<sup>153</sup>Section [12.4.3.5.2](#)

`ryFactory.createRawDouble(RawMemoryRegion, long, int, int)`<sup>154</sup> methods to identify the region from which the application wants to get an accessor instance.

This is distinct from the, similarly named `PhysicalMemoryName`<sup>155</sup> class, which is used with memory area classes, specifically `ImmortalPhysicalMemory`<sup>156</sup> and `LT-PhysicalMemory`<sup>157</sup>.

Available since RTSJ version RTSJ 2.0

#### 12.4.3.6.1 Fields

---

##### MEMORY\_MAPPED\_REGION

```
public static final MEMORY_MAPPED_REGION
```

This raw memory name is used to request access to I/O device space implemented by processor instructions.

Available since RTSJ version RTSJ 2.0

##### IO\_PORT\_MAPPED\_REGION

```
public static final IO_PORT_MAPPED_REGION
```

This raw memory name is used to request access to memory mapped I/O devices.

Available since RTSJ version RTSJ 2.0

##### `_regions_`

```
private static final _regions_
```

##### `name_`

```
private final name_
```

---

<sup>154</sup>Section [12.4.3.5.2](#)

<sup>155</sup>Section [15.3.1.1](#)

<sup>156</sup>Section [11.4.3.4](#)

<sup>157</sup>Section [11.4.3.6](#)

### 12.4.3.6.2 Constructors

---

## RawMemoryRegion(String)

*Signature*

```
private  
    RawMemoryRegion(String name)
```

### 12.4.3.6.3 Methods

---

## getRegion(String)

*Signature*

```
public static  
    javax.realtime.device.RawMemoryRegion getRegion(String name)
```

## isRawMemoryRegion(String)

*Signature*

```
public static  
    boolean isRawMemoryRegion(String name)
```

## getName

*Signature*

```
public final  
    java.lang.String getName()
```

## toString

*Signature*

```
public final  
    java.lang.String toString()
```

## 12.5 Rationale

### 12.5.1 Raw Memory

**Open issue:** Need to be checked with current API **End of open issue**

Raw memory in the RTSJ refers to any memory in which only objects of primitive types can be stored; *Java objects or their references cannot be stored in raw memory.* 2.0 of specification distinguishes between three categories:

- memory that is used to access memory-mapped device registers,
- logical memory that can be used to access port-based device registers,
- memory that falls outside that used to accessing devices registers but may be used for other purposes, such as emulating device access.

Each of these categories of memory is represented by a tagging interface called `RawMemoryRegion`.

Java's primitive types are partitioned into two groups: integral (short, int, long, byte) and real (float, double) types, including arrays of each type. For integral types, individual interfaces are also defined to facilitate greater type security during access. Objects that support these interfaces are created by factory methods, which again have predefined interfaces. Such objects are called *accessor* objects as they encapsulates the access protocol to the raw memory.

Control over all these objects is managed by the `RawMemoryFactory` class that provides a set of static methods, as shown in Figure 12.5. There are two groups of methods, those that

- enable a factory to be registered, and
- request the creation of *accessor* object for a particular memory type at a physical address in memory.

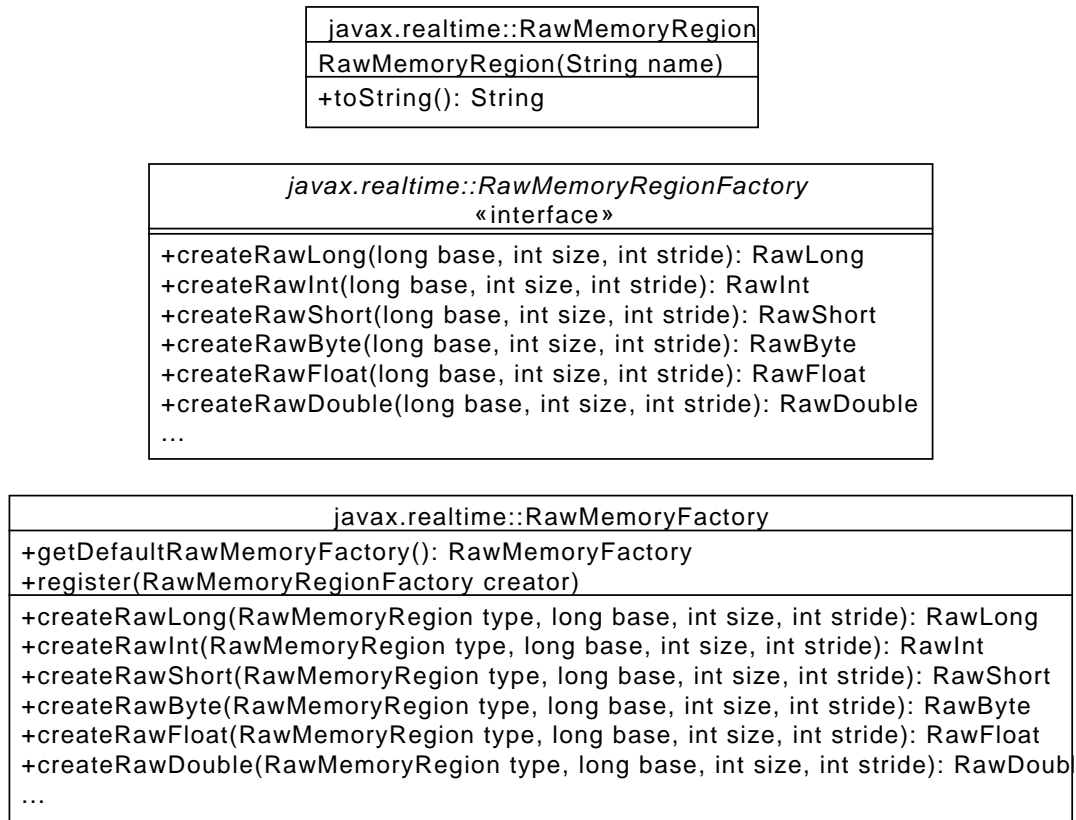
The latter consists of methods to create

- general accessor objects, (`createRawAccessInstance`, `createRawIntegralAccessInstance`, and `createRawRealAccessInstance`) which provide full access to the memory and will deal with all issues of memory alignment when reading data of primitive types; and
- Java-primitive-type accessor objects, which will throw exceptions if the appropriate addresses are not on correct boundaries to enable the underlying machine instructions to be used without causing hardware exceptions (e.g., `createRawByteInstance`).

As with interrupt handling, some realtime JVMs may not be able to support all of the memory categories. However, the expectation is that for all supported categories, they will also provide and register the associated factories for object creation.



Figure 12.5: Creating Raw Memory Accessors



For the case of `IO_PORT_MAPPED` raw memory, the accessor objects will need to arrange to execute the appropriate assemble instructions to access the device registers.

Consider, the simple case where a device has a two device registers: a control/status register that is a 32 bits integer, and a data register that is a 64 bits long. The registers have been memory mapped to locations: `0x20` and `0x24` respectively. Assuming the real-time JVM has registered a factory for the `IO_MEM_MAPPED` raw memory name, then the following code will create the objects that facilitate the memory access

---

```

1 RawInt controlReg =
2   RawMemoryFactory.createRawIntAccessInstance(RawMemoryFactory.IO_PORT_MAPPED, 0x20);
3 RawLong dataReg =
4   RawMemoryFactory.createRawLongAccessInstance(RawMemoryFactory.IO_PORT_MAPPED, 0x24);

```

---

The above definitions reflect the structure of the actual registers. The JVM will check that the memory locations are on the correct boundaries and that they can be accessed without any hardware exceptions being generated. If they cannot, the create methods will throw an appropriate exceptions. If successfully created, all future access to the `controlReg` and `dataReg` will be exception free. The registers can be manipulated by calling the appropriate methods, as in the following example.

---

```
1 dataReg.put(l);
2   // where l is of type long and is data to be sent to the device
3 controlReg.put(i);
4   // where i is of type int and is the command to the device
```

---

In the general case, programmers themselves may create their own memory categories and provide associated factories (that may use the implementation-defined factories). These factories are written in Java and are, therefore, constrained by what the language allows them to do. Typically, they will use the JVM-supplied raw memory types to facilitate access to a device's external memory. In addition to the above facilities, the RTSJ also supports the notion of removable memory. When this memory is inserted or removed, an asynchronous event can be set up to fire, thereby alerting the application that the device has become active. Of course, any removable memory has to be treated with extreme caution by the real-time JVM. Hence, the RTSJ allows it only to be accessed as a raw memory device. An example of these latter facilities will be given in Section 12.5.3.

### 12.5.1.1 Direct memory access

DMA requires access to memory out side of the heap. It is often crucial for performance in embedded systems; however, it does cause problems both from a realtime analysis perspective and from a JVM-implementation perspective. The latter is the primary concern here.

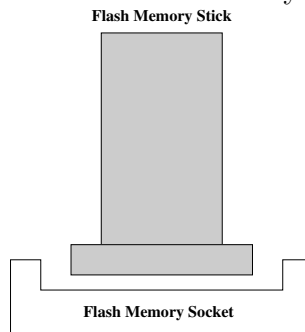
There are a few crucial points to note about DMA and the RTSJ.

- The RTSJ does not address issues of persistent objects; so the input and output of Java objects to devices (other than by using the Java serialization mechanism) is not supported.
- The RTSJ requires that RTSJ programs can be compiled by regular Java compilers. Different bytecode compilers (and their supporting JVM) use different representation for objects. Java arrays (even of primitive types) are objects, and the data they contain might not be stored in contiguous memory.
- The package `java.nio.channels` provides a mechanism for I/O that was not specifically designed for DMA, but provides an applicable pattern for it.

For these reasons, without explicit knowledge of the compiler and JVM, allowing any DMA into any RTSJ memory area is a very dangerous action; therefore, the RTSJ

provides some special support for DMA. Unfortunately, it would be difficult to find a general pattern to fit all DMA controllers. With raw memory and raw byte buffers, one could construct a higher level API that would cover most DMA controllers, but there will always be odd cases that would still not fit the general pattern, especially for embedded systems. For this reason, only this low level API is provided.

Figure 12.6: Flash memory device



## 12.5.2 Interrupt Handling

Handling interrupts is a necessary part of many embedded systems. Interrupt handlers have traditionally been implemented in assembler code or C. With the growing popularity of high-level concurrent languages, there has been interest in better integration between the interrupt handling code and the application. Ada, for example, allows a “protected” procedure to be called directly from an interrupt [3].

Regehr [7] defines the terms used for the core components of interrupts and their handlers as follows.

- *Interrupt*—a hardware supported asynchronous transfer of control mechanism initiated by an event external to the processor. Control of the processor is transferred through an interrupt vector.
- *Interrupt vector*—a dedicated (or configurable) location that specifies the location of an interrupt handler.
- *Interrupt handler*—code that is reachable from the interrupt vector.
- *An interrupt controller*—a peripheral device that manages interrupts for the processor.

He further identifies the following problems with programming interrupt-driven software on single processors:

- *Stack overflow*—the difficulty determining how much call-chain stack is required to handle an interrupt. The problem is compounded if the stack is borrowed from the currently executing thread or process.

- Interrupt overload—the problem of ensuring that non-interrupt driven processing is not swamped by unexpected or misbehaving interrupts.
- Real-time analysis—the need to have appropriate schedulability analysis models to bound the impact of interrupt handlers.

The problems above are accentuated in multiprocessor systems where interrupts can be handled globally. Fortunately, many multiprocessor systems allow interrupts to be bound to particular processors. For example, the ARM Cortex A9-MPCore supports the Arm Generic Interrupt Controller<sup>158</sup>. This enables a target list of CPUs to be specified for each hardware interrupt. Software generated interrupts can also be sent to the list or set up to be delivered to all but the requesting CPU or only the requesting CPU.

Regehr's problems are all generic and can be solved irrespective of the language used to implement the handlers. In general they can be addressed by a combination of techniques.

- Stack overflow—static analysis techniques can usually be used to determine the worst-case stack usage of all interrupt handlers. If stack is borrowed from the executing thread then this amount must be added to the worst-case stack usage of all threads.
- Interrupt overload—this is typically managed by aperiodic server technology in combination with interrupt masking (see Section 13.6 of [3]).
- Real-time analysis—again this can be catered for in modern schedulability analysis techniques, such as response-time analysis (see Section 14.6 of [3]).

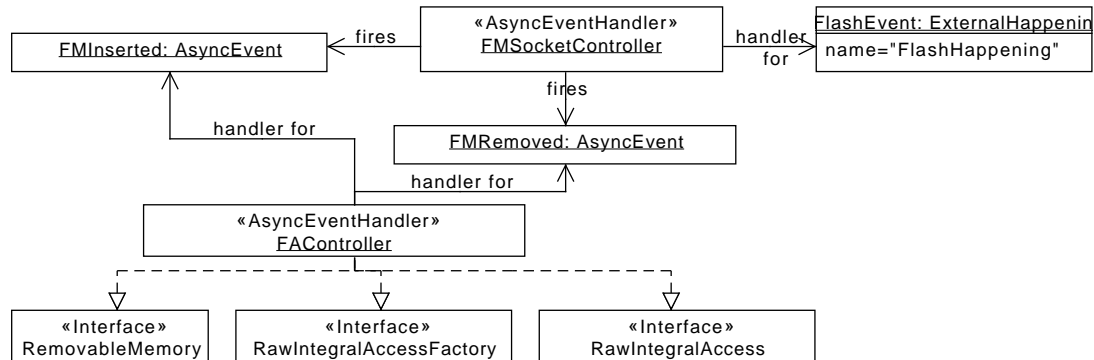
From a RTSJ perspective, the following distinctions are useful

- The *first-level interrupt handlers* are the code that the platform executes in response to the hardware interrupts (or traps). A first-level interrupt is assumed to be executed at an execution eligibility (priority) and by a processor dictated by the underlying platform (which may be controllable at the platform level). On some RTSJ implementations it will not be possible to write Java code for these handlers. Implementations that do enable Java-level handlers may restrict the code that can be written. For example, the handler code should not suspend itself or throw unhandled exceptions. The RTSJ 2.0 optional `InterruptServiceRoutine` class supports first level interrupt handling.
- The *external event handler* is the code that the JVM executes as a result of being notified that an external event (be it an operating system signal, an ISR or some other program) is targeted at the RTSJ application. The programmer should be able to specify the processor affinity and execution eligibility of this code. In RTSJ 2.0, all external events are represented by instances of the `Happening` interface. Every happening has an associated dispatcher which is responsible for the initial response to an occurrence of the event.

---

<sup>158</sup> See <http://infocenter.arm.com/help/index.jsp?topic=/com.arm.doc.ddi0375a/Cegbfjhf.html>

Figure 12.7: Flash memory classes



- A happening dispatcher is able to find one or more associated RTSJ asynchronous events and fire them. This then releases the associated asynchronous event handlers. *A happening dispatcher is not required to fire events. If appropriate, the dispatcher can provide an in-line handler itself.*

### 12.5.3 An Illustrative Example

Consider an embedded system that has a simple flash memory device that supports a single type of removable flash memory stick, as illustrated in Figure 12.6.

When the memory stick is inserted or removed, an interrupt is generated. This interrupt is known to the real-time JVM. The interrupt is also generated when operations requested on the device are completed. For simplicity, it is assumed that real-time JVM has mapped this interrupt to an external happening called `FlashHappening` with a default happening dispatcher.

The example illustrates how

1. a programmer can use the RTSJ facilities to write a device handler,
2. a factory class can be constructed and how the accessor objects police the access,
3. removable memory is handled.

The flash memory device is accessed via several associated registers, which are shown in Table 12.1. These have all been memory mapped to the indicated locations.

#### 12.5.3.1 Software architecture

There are many ways in which the software architecture for the example could be constructed. Here, for simplicity of representation, an architecture is chosen with a minimal number of classes. It is illustrated in Figure 12.7. There are three key components.

Table 12.1: Device registers

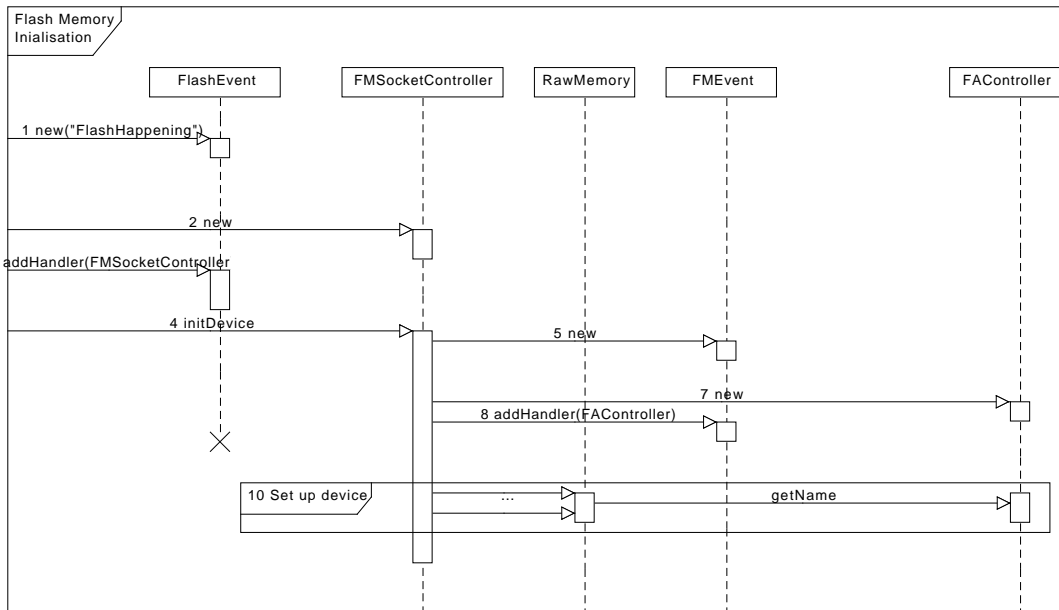
Register	Location	Bit Positions	Values
Command	0x20	0	0 = Disable device, 1 = Enable device
		4	0 = Disable interrupts, 1 = Enable interrupts
		5-8	1 = Read byte, 2 = Write byte 3 = Read short, 4 = Write short
			5 = Read int, 6 = Write int 7 = Read long, 8 = Write long
		9	0 = DMA Read, 1 = DMA
		31-63	Offset into flash memory
Data	0x28	0-63	Simple data or memory address if DMA
Length	0x30	0-31	Length of data transfer
Status	0x38	0	1 = Device enabled
		3	1 = Interrupts enabled
		4	1 = Device in error
		5	1 = Transfer complete
		6	1 = Memory stick present 0 = Memory stick absent
		7	1 = Memory stick inserted
		8	0 = Memory stick removed

- **FlashHappening**—This is the external happening that is associated with the flash device’s interrupt. The RTSJ will provide a default dispatcher, which will fire the asynchronous event when the interrupt occurs.
- **FMSocketController**—This is the object that encapsulates the access to the flash memory device. In essence, it is the device driver; it is also the handler for the **FlashHappening** and is responsibly for firing the **FMInserted** and **FMRemoved** asynchronous events.
- **FAController**—This is the object that controls access to the flash memory, it
  - acts as the factory for the creating objects that will facilitate access to the flash memory itself (using the mechanisms provided by the **FMSocketController**),
  - is the asynchronous event handler that responds to the firing of the **FMInserted** and **FMRemoved** asynchronous events, and
  - also acts as the accessor object for the memory.

### 12.5.3.2 Device initialization

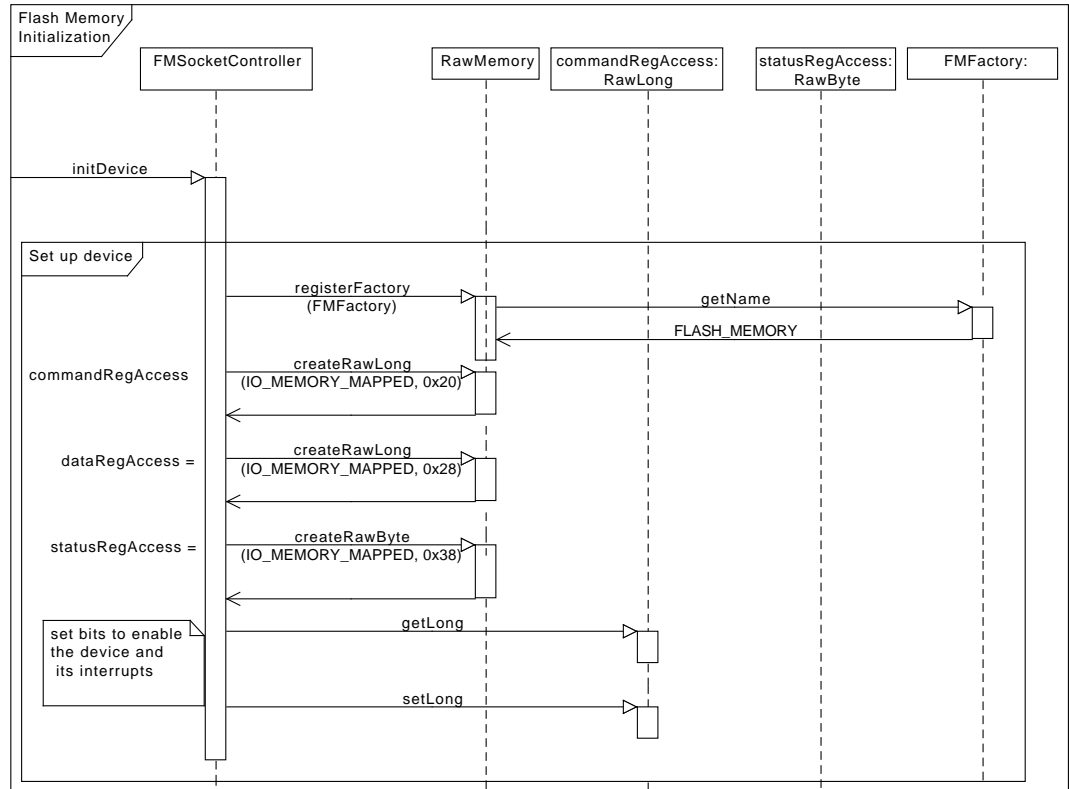
Figure 12.8 shows the sequence of operations that the program must perform to initialize the flash memory device. The main steps are as follows.

Figure 12.8: Sequence diagram showing initialization operations



- 1 The external happening (**FlashEvent**) associated with the flash happening must be created.
- 2-3 The (**FMSocketController**) object is created and added as a handler for **FlashEvent**.
- 4 An initialization method is called (**initDevice**) to perform all the operations necessary to configure the infrastructure and initialize the hardware device.
- 5-6 Two new asynchronous events are created to represent insertion and removal of the flash memory stick.
- 7-9 The **FAController** class is created. It is added as the handler for the two events created in steps 5 and 6.
- 10 Setting up the device and registering the factory is shown in detail in Figure 12.9. It involves: registering the **FAController** object via the static methods in the **RawMemory** class, and creating and using the JVM-supplied factory to access the memory-mapped I/O registers.

Figure 12.9: Sequence diagrams showing operations to initialize the hardware device



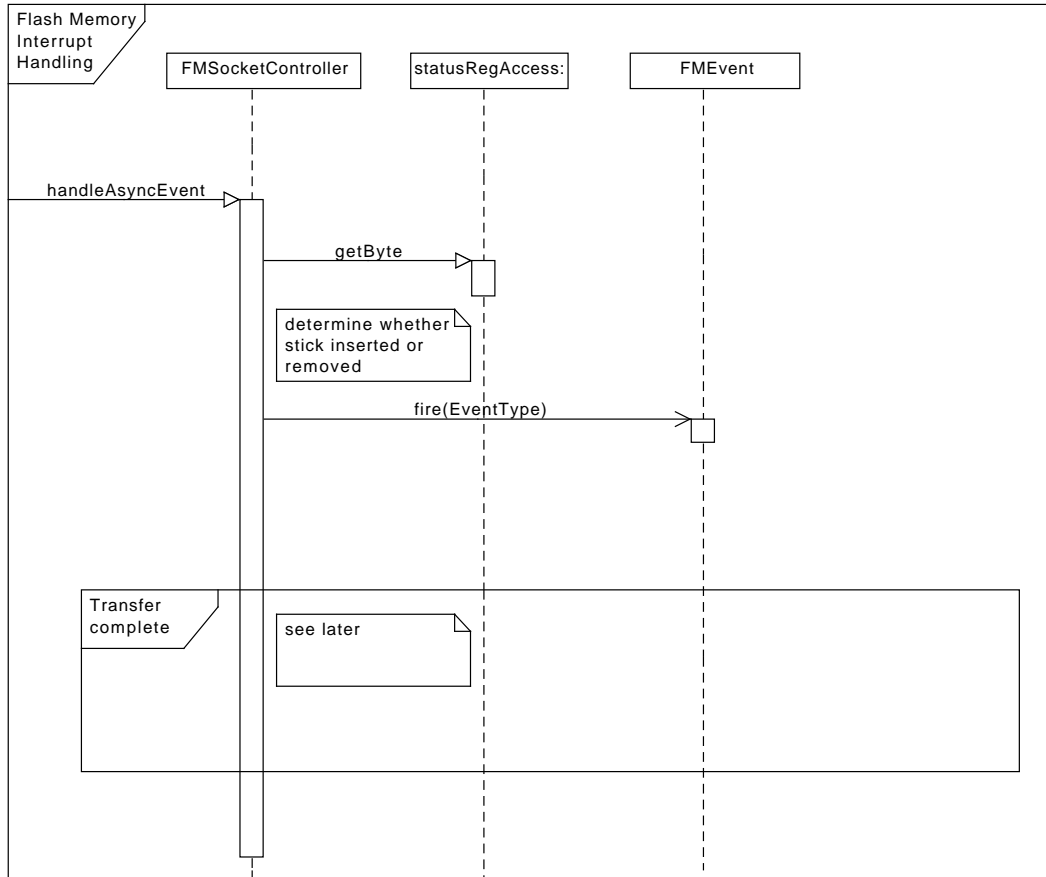
### 12.5.3.3 Responding to external happenings

In the example, interrupts are handled by the JVM, which turns them into an external happening. The application code that indirectly responds to the happening is provided in the `handleAsyncEvent` method in the `FMSocketController` object. Figure 12.10 illustrates the approach. In this example, the actions in response to the *memory stick inserted* and *memory stick removed* flash events is simply shown as the execution of the `FMInserted` and `FMRemoved` handlers. These will inform the application. The memory accessor classes themselves will ensure that the stick is present when performing the required application accesses.

### 12.5.3.4 Access to the flash controller's device registers

Figure 12.11 shows the sequence of events that the application follows. First it must register a handler with the `FMInserted` asynchronous event. Here, the application itself is an asynchronous event handler. When this is released, the memory has been inserted.

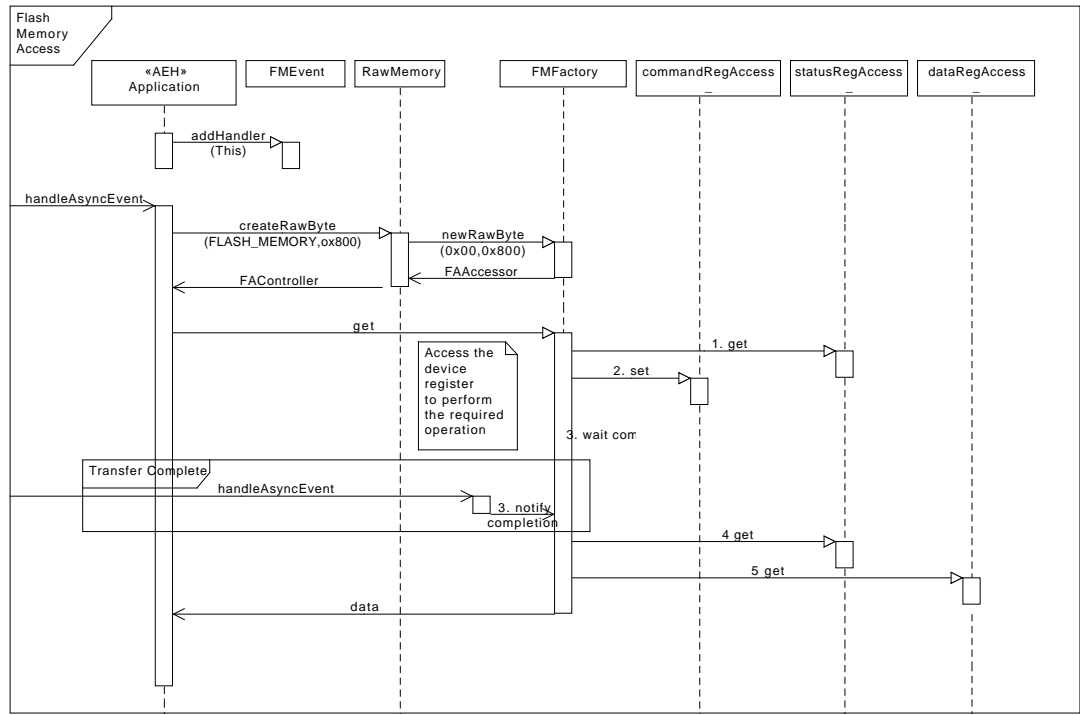


Figure 12.10: The `FMSocketController.handleAsync` method

In this simple example, the application simply reads a byte from an offset within the memory stick. It, therefore, creates an accessor to access the data. When this has been returned (it is the `FAController` itself), the application can now call the `get` method (called *FA get*, in the following, for clarity). This method must implement the sequence of raw memory access on the device's registers to perform the operation. In Figure 12.11, they are as follows.

1. *FA get* calls the `get` method of the status register's accessor object. This can check to make sure that the flash memory is present (bit 6, as shown in Table 12.1). If it is not, an exception can be thrown.
2. Assuming the memory is present, it then sets the control register with the offset required (bits 31–63, as shown in Table 12.1) and sets the read byte request bit (bits 5–8, as shown in Table 12.1).
3. The *FA get* method must then wait for indication that the requested operation

Figure 12.11: Application usage



has been completed by the device. This is detected by the `handleAsyncEvent` method of the `FMController`, which performs the necessary notify.

4. Once notified of completion, the `FA get` method, again reads the status register to make sure there were no errors on the device (bit 4 in Table 12.1) and that the memory is still present
5. The `FA get` then reads the data register to get the requested data, which it returns.

# Chapter 13

## System and Options

### 13.1 Overview

This section contains classes describe the handling of POSIX signals, or related to the system as a whole. These classes provide

- a common idiom for binding POSIX signals to instances of `AsyncEventHandler` when POSIX signals are available on the underlying platform;
- a class that contains operations and semantics that affect the entire system; and
- the security semantics required by the additional features in the entirety of this specification, which are additional to those required by implementations of the Java Language Specification.

The `RealtimeSecurity` class provides security primarily for physical memory access.

### 13.2 Semantics

This list establishes the semantics that are applicable across the classes of this section. Semantics that apply to particular classes, constructors, methods, and fields will be found in the class description and the constructor, method, and field detail sections.

- The POSIX signal handler class is required to be available when implementations of this specification execute on an underlying platform that provides POSIX signals or any subset of signals named with the POSIX names.
- The `RealtimeSecurity` class is required.
- If applications execute the method call, `System.getProperty('javax.realtime.version')`, the return value will be a string of the form, "x.y.z". Where 'x' is the major version number and 'y' and 'z' are minor version numbers. These version num-

bers state to which version of the RTSJ the underlying implementation claims conformance. The first release of the RTSJ, dated 11/2001, is numbered as, 1.0.0. Since this property is required in only subsequent releases of the RTSJ implementations of the RTSJ which intend to conform to 1.0.0 may return the String “1.0.0” or null.

#### 13.2.0.5 POSIX Signals

The `POSIXSignal` class represents POSIX signals. As a `Happening`, it is a subclass of `AsyncEvent` and implements `ActiveEvent`. Unlike `Happening`, it cannot be instantiated by the user. Instead, an instance exists for each POSIX signal defined on the system. They can be retrieved either by name or number using the `POSIXSignal.get(int)` and `POSIXSignal.get(String)` methods.

#### 13.2.0.6 POSIX Realtime Signals

The `POSIXRealtimeSignal` class represents POSIX realtime events. It is also implements `ActiveEvent`, but is a subclass of `AsyncLongEvent`, so that it can pass the data sent with its signal. As with `POSIXSignal`, it cannot be instantiated by the user, rather an instance exists for each POSIX signal defined on the system, which can be retrieves either by name or number using the `POSIXRealtimeSignal.get(int)` and `POSIXRealtimeSignal.get(String)` methods.

## 13.3 Package javax.realtime

### 13.3.1 Classes

#### 13.3.1.1 POSIXRealtimeSignal

---

##### Inheritance

java.lang.Object  
  javax.realtime.AbstractAsyncEvent  
    javax.realtime.AsyncLongEvent  
      javax.realtime.POSIXRealtimeSignal

##### Interfaces

  ActiveEvent

A [ActiveEvent](#)<sup>1</sup> subclass for defining a POSIX realtime signal.

Available since RTSJ version RTSJ 2.0

#### 13.3.1.1.1 Fields

---

`_signals_`

private static `_signals_`

A lookup table for realtime signals based on their name.

`_signal_by_id_`

private static `_signal_by_id_`

A lookup table for realtime signals based on their ID.

#### 13.3.1.1.2 Constructors

---

#### 13.3.1.1.3 Methods

---

---

<sup>1</sup>Section [8.4.1.1](#)

## **get(String)**

### *Signature*

```
public static
    javax.realtime.POSIXRealtimeSignal get(String name)
```

### *Parameters*

*name* of the signal to get.

### *Returns*

the registered signal with name or `null`.

Get the registered realtime signal with the given name.

## **getId(String)**

### *Signature*

```
public static
    int getId(String name)
```

### *Parameters*

*name* of the signal for which to search

### *Returns*

the ID of the signal named by *name*

Get the ID of a registered signal.

## **get(int)**

### *Signature*

```
public static
    javax.realtime.POSIXRealtimeSignal get(int id)
```

### *Parameters*

*id* of a registered signal

### *Returns*

the signal corresponding to *id*.

Get the realtime signal corresponding to a given *id*.

## **isPOSIXRealtimeSignal(String)**

### *Signature*

```
public static
    boolean isPOSIXRealtimeSignal(String name)
```

### *Parameters*

*name* of the signal

### *Returns*

true when a signal with the given name is registered  
Determine if a signal with a given name is registered.

## trigger(int, long)

### *Signature*

```
public static  
void trigger(int id, long value)
```

### *Parameters*

*id* of a registered signal  
*value* passed from the signaler.

Release the manager for the Realtime Signal identified by the given integer. The id range for POSIX Signals is distinct from that of [Happening<sup>2</sup>s](#). This method is provided for simulating realtime POSIX signals.

## getId

### *Signature*

```
public  
int getId()
```

### *Returns*

its name.

Get the name of this realtime signal.

## getName

### *Signature*

```
public final  
java.lang.String getName()
```

### *Returns*

the name of this signal.

Get the name of this signal.

## isActive

### *Signature*

```
public  
boolean isActive()
```

### *Returns*

---

<sup>2</sup>Section [12.4.3.1](#)

`true` when active, `false` otherwise.

Determine the activation state of this signal, i.e., it has been started.

## **isEnabled**

*Signature*

```
public
boolean isEnabled()
```

*Returns*

`true` when releasing, `false` when skipping.

Determine the firing state (releasing or skipping) of this signal, i.e., it is enabled.

## **isRunning**

*Signature*

```
public
boolean isRunning()
```

## **start**

*Signature*

```
public final synchronized
void start()
throws IllegalStateException
```

*Throws*

*IllegalStateException* when this `POSIXRealtimeSignal` has already been started.

Start this `POSIXRealtimeSignal`, i.e., change to a running state. A running realtime signal is a source of activation when in a scoped memory and is a member of the root set when in the heap. A running realtime signal can be triggered.

[See Section `stop\(\)`](#)

## **start(boolean)**

*Signature*

```
public final synchronized
void start(boolean disabled)
throws IllegalStateException
```

*Parameters*

*disabled* `true` for starting in a disabled state.



*Throws*

*IllegalStateException* when this `POSIXRealtimeSignal` has already been started. Start this `POSIXRealtimeSignal`, i.e., change to a running state. A running realtime signal is a source of activation when in a scoped memory and is a member of the root set when in the heap. A running realtime signal can be triggered.

See [Section stop\(\)](#)

## stop

*Signature*

```
public final
boolean stop()
throws IllegalStateException
```

*Throws*

*IllegalStateException* when this `POSIXRealtimeSignal` is not running.

*Returns*

`true` when this was *enabled* and `false` otherwise.

Stop this `POSIXRealtimeSignal`. A stopped realtime signal ceases to be a source of activation and no longer cause any AE attached to it to be a source of activation.

## trigger(long)

*Signature*

```
final
void trigger(long value)
```

*Parameters*

*value*

Trigger this signal if it is registered.

## getNextValue

*Signature*

```
public
long getNextValue()
```

*Returns*

the value of the next signal

## send(long)

### *Signature*

```
public native
boolean send(long pid)
```

### *Parameters*

*pid* of the process to which to send the signal

### *Returns*

true when signal can be sent, otherwise false.

Send this signal to another process

### 13.3.1.2 POSIXRealtimeSignalDispatcher

---

#### **Inheritance**

```
java.lang.Object
  javax.realtime.ActiveEventDispatcher
    javax.realtime.POSIXRealtimeSignalDispatcher
```

#### 13.3.1.2.1 Constructors

---

## POSIXRealtimeSignalDispatcher(SchedulingParameters)

### *Signature*

```
public
  POSIXRealtimeSignalDispatcher(SchedulingParameters scheduling)
```

### *Parameters*

*schedule* give the parameters for scheduling this dispatcher

Create a new dispatcher, whose dispatching thread runs with the given scheduling parameters.

#### 13.3.1.2.2 Methods

---

## getDefaultPOSIXRealtimeSignalDispatcher

### Signature

```
public static
javax.realtime.POSIXRealtimeSignalDispatcher
getDefaultPOSIXRealtimeSignalDispatcher()
```

### Returns

the default event manager.

This provides a means of obtaining the system provided event manager so that new events can be added to it.

## dispatch(POSIXRealtimeSignal, long)

### Signature

```
protected abstract
void dispatch(POSIXRealtimeSignal signal, long payload)
```

### Parameters

*signal* to dispatch

Actually dispatch the [POSIXRealtimeSignal<sup>3</sup>](#). This can be overridden in a subclass to provide for more sophisticated dispatching.

## register(POSIXRealtimeSignal)

### Signature

```
final
void register(POSIXRealtimeSignal signal)
```

### Parameters

*event* to register

Register a POSIX realtime signal with this dispatcher.

## unregister(POSIXRealtimeSignal)

### Signature

```
final
void unregister(POSIXRealtimeSignal signal)
```

### Parameters

*event* to unregister

Deregister a POSIX realtime signal form this dispatcher.

---

<sup>3</sup>Section [13.3.1.1](#)

**trigger(POSIXRealtimeSignal, long)***Signature*

```
public
void trigger(POSIXRealtimeSignal signal, long value)
```

*Parameters*

*signal* the event that needs to be dispatched  
*value*

Queue the event for dispatching by this manager. This should only be called from `@{link POSIXRealtimeSignal#trigger()}`.

**getSignalProcessId***Signature*

```
public native
long getSignalProcessId()
```

*Returns*

the process identifier for sending a POSIX signal

Get the process identifier that, upon receiving a POSIX signal, will cause the POSIX signal handlers within this VM to be triggered. On a system that supports sending signals to a process, all instances of this class in a virtual machine return the same value.

**waitForNextTrigger(boolean)***Signature*

```
private
javax.realtime.POSIXRealtimeSignal waitForNextTrigger(boolean
interruptable)
```

*Parameters*

*interruptable* indicated what to do if this method is interrupted.

*Returns*

the POSIX realtime signal that was triggered.

Wait for the next trigger to occur and return the `POSIXRealtimeSignal`<sup>4</sup> that caused it. The wait also terminates when no more realtime signals are registered or when both `interruptable` is true and an interrupt occurs.

---

<sup>4</sup>Section 13.3.1.1

### 13.3.1.3 POSIXSignal

---

#### Inheritance

```
java.lang.Object
  javax.realtime.AbstractAsyncEvent
    javax.realtime.AsyncEvent
      javax.realtime.POSIXSignal
```

#### Interfaces

```
ActiveEvent
```

A [ActiveEvent](#)<sup>5</sup> subclass for defining a POSIX signal.

Available since RTSJ version RTSJ 2.0

#### 13.3.1.3.1 Fields

---

##### MAX\_NUM\_SIGNALS

```
public static final MAX_NUM_SIGNALS
```

this number of signals can be processed.

#### 13.3.1.3.2 Constructors

---

#### 13.3.1.3.3 Methods

---

### isPOSIXSignal(String)

#### Signature

```
public static
boolean isPOSIXSignal(String name)
```

#### Parameters

*name* of the signal

---

<sup>5</sup>Section [8.4.1.1](#)

*Returns*

true when a signal with the given name is registered  
Determine if a signal with a given name is registered.

**get(String)***Signature*

```
public static  
    javax.realtime.POSIXSignal get(String name)
```

*Parameters*

*name* of the signal to get.

*Returns*

the registered signal with name or `null`.  
Get the registered signal with the given name.

**getId(String)***Signature*

```
public static  
    int getId(String name)
```

*Parameters*

*name* of the signal for which to search

*Returns*

the ID of the signal named by `name`  
Get the ID of a registered signal.

**get(int)***Signature*

```
public static  
    javax.realtime.POSIXSignal get(int id)
```

*Parameters*

*id* of a registered signal

*Returns*

the signal corresponding to `id` or `null`.  
Get the signal corresponding to a given `id`.

**trigger(int)***Signature*

```
public static
void trigger(int id)
```

*Parameters*

*id* of a registered signal

Release the manager for the Signal identified by the given integer. The id range for Signals is distinct from that of Happenings. This method is provided for simulating POSIX signals.

## getId

*Signature*

```
public
int getId()
```

*Returns*

the signal number

Get the number of this signal.

## getName

*Signature*

```
public
java.lang.String getName()
```

*Returns*

the name of this signal.

Get the name of this signal.

## isActive

*Signature*

```
public
boolean isActive()
```

*Returns*

true when active, false otherwise.

Determine the activation state of this signal, i.e., it has been started.

## isEnabled

*Signature*

```
public
boolean isEnabled()
```

*Returns*

`true` when releasing, `false` when skipping.

Determine the firing state (releasing or skipping) of this signal, i.e., it is enabled.

## **isRunning**

*Signature*

```
public
boolean isRunning()
```

## **start**

*Signature*

```
public
void start()
throws IllegalStateException
```

*Throws*

*IllegalStateException* when this `POSIXSignal` has already been started.

Start this `POSIXSignal`, i.e., change to a running state. A running signal is a source of activation when in a scoped memory and is a member of the root set when in the heap. A running signal can be triggered.

[See Section stop\(\)](#)

## **start(boolean)**

*Signature*

```
public
void start(boolean disabled)
throws IllegalStateException
```

*Parameters*

*disabled* true for starting in a disabled state.

*Throws*

*IllegalStateException* when this `POSIXSignal` has already been started.

Start this `POSIXSignal`, i.e., change to a running state. A running signal is a source of activation when in a scoped memory and is a member of the root set when in the heap. A running signal can be triggered.

[See Section stop\(\)](#)



## stop

### Signature

```
public
boolean stop()
throws IllegalStateException
```

### Throws

*IllegalStateException* when this `POSIXSignal` is not running.

### Returns

`true` when `this` was *enabled* and `false` otherwise.

Stop this `POSIXSignal`. A stopped signal ceases to be a source of activation and no longer cause any AE attached to it to be a source of activation.

## send(long)

### Signature

```
public native
boolean send(long pid)
```

### Parameters

*pid* of the process to which to send the signal

### Returns

`true` when signal can be sent, otherwise `false`.

Send this signal to another process.

### 13.3.1.4 POSIXSignalDispatcher

---

#### Inheritance

```
java.lang.Object
  javax.realtime.ActiveEventDispatcher
    javax.realtime.POSIXSignalDispatcher
```

This class provides a means of dispatching a set of `POSIXSignal`<sup>6</sup>s. An application can provide its own dispatcher, providing the priority for the internal dispatching thread. This dispatching thread calls `process()` each time the signal is triggered.

#### 13.3.1.4.1 Constructors

---

---

<sup>6</sup>Section 13.3.1.3

## POSIXSignalDispatcher(SchedulingParameters)

### *Signature*

```
public
    POSIXSignalDispatcher(SchedulingParameters scheduling)
```

### *Parameters*

*schedule* give the parameters for scheduling this dispatcher

Create a new dispatcher, whose dispatching thread runs with the given scheduling parameters.

### 13.3.1.4.2 Methods

---

## getDefaultPOSIXSignalDispatcher

### *Signature*

```
public static
    javax.realtime.POSIXSignalDispatcher
    getDefaultPOSIXSignalDispatcher()
```

### *Returns*

the default event manager.

This provides a means of obtaining the system provided event manager so that new events can be added to it.

## getSignalProcessId

### *Signature*

```
public native
    long getSignalProcessId()
```

### *Returns*

the process identifier for sending a POSIX signal

Get the process identifier that, upon receiving a POSIX signal, will cause the POSIX signal handlers within this VM to be triggered. On a system that supports sending signals to a process, all instances of this class in a virtual machine return the same value.

## dispatch(POSIXSignal)

### Signature

```
protected  
void dispatch(POSIXSignal signal)
```

### Parameters

*signal* to dispatch

Actually dispatch the [POSIXSignal<sup>7</sup>](#). This can be overridden in a subclass to provide for more sophisticated dispatching.

## register(POSIXSignal)

### Signature

```
final synchronized  
void register(POSIXSignal signal)  
throws RegistrationException
```

### Parameters

*event* to register

Register a POSIX signal with this dispatcher.

## unregister(POSIXSignal)

### Signature

```
final synchronized  
void unregister(POSIXSignal signal)  
throws DeregistrationException
```

### Parameters

*event* to unregister

Deregister a POSIX Signal form this dispatcher. (This is a really naive implementation.)

## trigger(int)

### Signature

```
static  
void trigger(int java_signal)
```

### Parameters

*java\_signal* the java signal number that occurred.

---

<sup>7</sup>Section [13.3.1.3](#)

Signal this dispatcher to fire all events for a given signal. This should only be called from `@{link POSIXSignal#trigger()}`.

## **handleSignal(int)**

*Signature*

```
static native
void handleSignal(int signal)
```

*Parameters*

*signal* the system signal number that needs to be handled.  
called to inform a system that handling of a specific signal is required.

## **init**

*Signature*

```
private static native
void init()
```

native initialization code to setup POSIX signal handler:

## **waitForSignal**

*Signature*

```
private static native
void waitForSignal()
```

wait for the next signal to occur.

## **getNextSignal**

*Signature*

```
private static native
int getNextSignal()
```

return the next system signal that has occurred.

## **getSystemSignal(int)**

*Signature*

```
static native
int getSystemSignal(int javaSignal)
```

*Parameters*

*javaSignal* the Java signal as defined in the constants in this class.

*Returns*

the corresponding system signal.  
get the system-level signal that corresponds to a given Java-level signal.

### 13.3.1.5 RealtimeSecurity

---

#### Inheritance

java.lang.Object  
  javafx.runtime.RealtimeSecurity

Security policy object for realtime specific issues. Primarily used to control access to physical memory.

Security requirements are generally application-specific. Every implementation shall have a default `RealtimeSecurity` instance, and a way to install a replacement at run-time, `RealtimeSystem.setSecurityManager`<sup>8</sup>. The default security is minimal. All security managers should prevent access to JVM internal data and the Java heap; additional protection is implementation-specific and must be documented.

#### 13.3.1.5.1 Constructors

---

### RealtimeSecurity

#### *Signature*

```
public
    RealtimeSecurity()
```

Create an `RealtimeSecurity` object.

#### 13.3.1.5.2 Methods

---

### checkAccessPhysical

#### *Signature*

```
public
```

---

<sup>8</sup>Section [13.3.1.6.3](#)

```
void checkAccessPhysical()
throws SecurityException
```

*Throws*

*SecurityException* The application doesn't have permission to access physical memory.

Check whether the application is allowed to access physical memory.

## **checkAccessPhysicalRange(long, long)**

*Signature*

```
public
void checkAccessPhysicalRange(long base, long size)
throws SecurityException
```

*Parameters*

*base* The beginning of the address range.

*size* The size of the address range.

*Throws*

*SecurityException* The application doesn't have permission to access the memory in the given range.

Checks whether the application is allowed to access physical memory within the specified range.

## **checkSetFilter**

*Signature*

```
public
void checkSetFilter()
throws SecurityException
```

*Throws*

*SecurityException* The application doesn't have permission to register filter objects.

Checks whether the application is allowed to register [PhysicalMemoryTypeFilter](#)<sup>9</sup> objects with the [PhysicalMemoryManager](#)<sup>10</sup>.

## **checkSetMonitorControl(MonitorControl)**

*Signature*

```
public
```

---

<sup>9</sup>Section [15.3.1.2](#)

<sup>10</sup>Section [15.3.2.3](#)

```
void checkSetMonitorControl(MonitorControl policy)
throws SecurityException
```

*Parameters*

*policy* The new policy

*Throws*

*SecurityException* when the application doesn't have permission to change the default monitor control policy to *policy*.

Checks whether the application is allowed to set the default monitor control policy.

**Available since RTSJ version RTSJ 1.0.1**

## **checkAEHSetDaemon**

*Signature*

```
public
void checkAEHSetDaemon()
throws SecurityException
```

*Throws*

*SecurityException* when the application is not permitted to alter the daemon status.

Checks whether the application is allowed to set the daemon status of an AEH.

**Available since RTSJ version RTSJ 1.0.1**

## **checkSetScheduler**

*Signature*

```
public
void checkSetScheduler()
throws SecurityException
```

*Throws*

*SecurityException* The application doesn't have permission to set the scheduler.

Checks whether the application is allowed to set the scheduler.

## **checkCreateRealtimeThread**

*Signature*

```
public
void checkCreateRealtimeThread()
throws SecurityException
```

## checkCreateTimer

*Signature*

```
public
void checkCreateTimer()
throws SecurityException
```

## checkCreateHappening

*Signature*

```
public
void checkCreateHappening()
throws SecurityException
```

### 13.3.1.6 RealtimeSystem

---

#### Inheritance

```
java.lang.Object
  javax.realtime.RealtimeSystem
```

`RealtimeSystem` provides a means for tuning the behavior of the implementation by specifying parameters such as the maximum number of locks that can be in use concurrently, and the monitor control policy. In addition, `RealtimeSystem` provides a mechanism for obtaining access to the security manager, garbage collector and scheduler, to make queries from them or to set parameters.

**Open issue:** Should there be flags to indicate which options are implemented?

**End of open issue**

#### 13.3.1.6.1 Fields

---

##### `BIG_ENDIAN`

```
public static final BIG_ENDIAN
```

Value to indicate the byte ordering for the underlying hardware.



**LITTLE\_ENDIAN**

```
public static final LITTLE_ENDIAN
```

Value to indicate the byte ordering for the underlying hardware.

**BYTE\_ORDER**

```
public static final BYTE_ORDER
```

The byte ordering of the underlying hardware.

**13.3.1.6.2 Constructors**

---

**RealtimeSystem***Signature*

```
private  
    RealtimeSystem()
```

Private No-arg constructor to keep javadoc from creating a public one.

**13.3.1.6.3 Methods**

---

**currentGC***Signature*

```
public static  
    javax.realtime.GarbageCollector currentGC()
```

*Returns*

A [GarbageCollector](#)<sup>11</sup> object which is the current collector collecting objects on the traditional Java heap.

Return a reference to the currently active garbage collector for the heap.

---

<sup>11</sup>Section [11.4.3.1](#)

## getConcurrentLocksUsed

### *Signature*

```
public static
int getConcurrentLocksUsed()
```

### *Returns*

An integer whose value is the maximum number of locks that have been used concurrently. If the number of concurrent locks is not tracked by the implementation, return -1. Note that if the number of concurrent locks is not tracked, the number of available concurrent locks is effectively unlimited.

Gets the maximum number of locks that have been used concurrently. This value can be used for tuning the concurrent locks parameter, which is used as a hint by systems that use a monitor cache.

## getMaximumConcurrentLocks

### *Signature*

```
public static
int getMaximumConcurrentLocks()
```

### *Returns*

An integer whose value is the maximum number of locks that can be in simultaneous use.

Gets the maximum number of locks that can be used concurrently without incurring an execution time increase as set by the `setMaximumConcurrentLocks()` methods.

Note: Any relationship between this method and `setMaximumConcurrentLocks` is implementation-specific. This method returns the actual maximum number of concurrent locks the platform can currently support, or `Integer.MAX_VALUE` if there is no maximum. The `setMaximumConcurrentLocks` method give the implementation a hint as to the maximum number of concurrent locks it should expect.

## getSecurityManager

### *Signature*

```
public static
javax.realtime.RealtimeSecurity getSecurityManager()
```

### *Returns*

A `RealtimeSecurity`<sup>12</sup> object representing the default realtime security manager.

---

<sup>12</sup>Section 13.3.1.5

Gets a reference to the security manager used to control access to realtime system features such as access to physical memory.

## setMaximumConcurrentLocks(int)

### Signature

```
public static
void setMaximumConcurrentLocks(int numLocks)
```

### Parameters

*numLocks* An integer whose value becomes the number of locks that can be in simultaneous use without incurring an execution time increase. If **number** is less than or equal to zero nothing happens. If the system does not use this hint this method has no effect other than on the value returned by [getMaximumConcurrentLocks\(\)](#)<sup>13</sup>.

Sets the anticipated maximum number of locks that may be held or waited on concurrently. Provide a hint to systems that use a monitor cache as to how much space to dedicate to the cache.

## setMaximumConcurrentLocks(int, boolean)

### Signature

```
public static
void setMaximumConcurrentLocks(int number, boolean hard)
```

### Parameters

*number* The maximum number of locks that can be in simultaneous use without incurring an execution time increase. If **number** is less than or equal to zero nothing happens. If the system does not use this hint this method has no effect other than on the value returned by [getMaximumConcurrentLocks\(\)](#)<sup>14</sup>.  
*hard* If true, **number** sets a limit. If a lock is attempted which would cause the number of locks to exceed **number** then a [ResourceLimitError](#)<sup>15</sup> is thrown. If the system does not limit use of concurrent locks, this parameter is silently ignored.

Sets the anticipated maximum number of locks that may be held or waited on concurrently. Provide a limit for the size of the monitor cache on systems that provide one if **hard** is true.

---

<sup>13</sup>Section [13.3.1.6.3](#)

<sup>14</sup>Section [13.3.1.6.3](#)

<sup>15</sup>Section [14.2.3.5](#)

## setSecurityManager(RealtimeSecurity)

### *Signature*

```
public static  
void setSecurityManager(RealtimeSecurity manager)
```

### *Parameters*

*manager* A [RealtimeSecurity](#)<sup>16</sup> object which will become the new security manager.

### *Throws*

*SecurityException* when security manager has already been set.

Sets a new realtime security manager.

## getInitialMonitorControl

### *Signature*

```
public static  
javax.realtime.MonitorControl getInitialMonitorControl()
```

### *Returns*

The initial monitor control policy.

Returns the monitor control object that represents the initial monitor control policy.

Available since RTSJ version RTSJ 1.0.1

## 13.4 Rationale

This specification accommodates the variation in underlying system variation in a number of ways. One of the most important is the concept of optionally required classes (e.g., the POSIX signal handler class). This class provides a commonality that can be relied upon by program logic that intends to execute on implementations that themselves execute on POSIX compliant systems.

The `RealtimeSystem` class functions in similar capacity to `java.lang.System`. Similarly, the `RealtimeSecurity` class functions similarly to `java.lang.SecurityManager`.

---

<sup>16</sup>Section [13.3.1.5](#)

# Chapter 14

## Exceptions

### 14.1 Overview

This section contains exceptions defined by the RTSJ. These exception classes:

- Provide additional exception classes required for other sections of this specification.
- Provide the ability to asynchronously transfer the control of program logic (see `AsynchronouslyInterruptedException`).

#### 14.1.1 Semantics

This list establishes the semantics that are applicable across the classes of this section. Semantics that apply to particular classes, constructors, methods, and fields will be found in the class description and the constructor, method, and field detail sections.

- All classes in this section are required.
- All exceptions, except `AsynchronouslyInterruptedException`, are required to have semantics exactly as those of their eventual superclass in the `java.*` hierarchy.

The `AsynchronouslyInterruptedException` class is not included in this chapter. It is more closely related to asynchronous operation than to exception handling and so can be found in the Asynchrony chapter.

## 14.2 Package `javax.realtime`

### 14.2.1 Interfaces

#### 14.2.1.1 `PreallocatedThrowable`

---

A marker class to indicate that a `Throwable` is intended to be created once and reused. `Throwables` that implement this interface kept their state in a `Schedulable Object (SO)` local data structure instead of the object itself. This means that data is only valid until the next `PreallocatedThrowable` is thrown in the current SO. Having a marker interface makes it easier to provide checking tools to ensure the proper throw sequence for all `Throwables` thrown from user code.

##### 14.2.1.1.1 Methods

---

### `fillInStackTrace`

*Signature*

```
public  
java.lang.Throwable fillInStackTrace()
```

*Returns*

a reference to this `Throwable`.

Calls into the virtual machine to capture the current stack trace in SO local memory.

### `getMessage`

*Signature*

```
public  
java.lang.String getMessage()
```

*Returns*

the message given to the constructor or `null` if no message was set.  
get the message describing the problem from SO local memory.

## getLocalizedMessage

### Signature

```
public
    java.lang.String getLocalizedMessage()
```

### Returns

the value of `getMessage()`.

Subclasses may override this message to get an error message that is localized to the default locale.

By default it returns `getMessage()`.

## initMessage(String)

### Signature

```
public
    void initMessage(String message)
```

### Parameters

*message* is the text to save.

Set the message in SO local storage. This is the only method that is not also defined in `Throwable`.

## getCause

### Signature

```
public
    java.lang.Throwable getCause()
```

### Returns

The cause or `null`.

`getCause` returns the cause of this exception or `null` if no cause was set. The cause is another exception that was caught before this exception was created.

## initCause(Throwable)

### Signature

```
public
    java.lang.Throwable initCause(Throwable causingThrowable)
```

### Parameters

*causingThrowable* the reason why this `Throwable` gets Thrown.

### Throws

*IllegalArgumentException* if the cause is this `Throwable` itself.

### Returns

the reference to this Throwable.  
Initializes the cause to the given Throwable is SO local memory.

## **printStackTrace**

### *Signature*

```
public  
void printStackTrace()
```

Print stack trace of this Throwable to System.err.

The printed stack trace contains the result of toString() as the first line followed by one line for each stack trace element that contains the name of the method or constructor, optionally followed by the source file name and source file line number if available.

For JamaicaVM, this routine also works before System was initialized by using low-level exception printing mechanisms provided by class com.aicas.jamaica.lang.Debug.

## **printStackTrace(PrintStream)**

### *Signature*

```
public  
void printStackTrace(PrintStream stream)
```

### *Parameters*

*stream* the stream to print to.

Print the stack trace of this Throwable to the given stream.

The printed stack trace contains the result of toString() as the first line followed by one line for each stack trace element that contains the name of the method or constructor, optionally followed by the source file name and source file line number if available.

For JamaicaVM, if printing to the stream causes another exception, low-level exception printing mechanisms provided by class com.aicas.jamaica.lang.Debug will be used to print the exception to stderr.

## **printStackTrace(PrintWriter)**

### *Signature*

```
public  
void printStackTrace(PrintWriter s)
```

### *Parameters*

*s* the PrintWriter to write to.



Print the stack trace of this Throwable to the given `PrintWriter`.

The printed stack trace contains the result of `toString()` as the first line followed by one line for each stack trace element that contains the name of the method or constructor, optionally followed by the source file name and source file line number if available.

For `JamaicaVM`, if printing to the `PrintWriter` causes another exception, low-level exception printing mechanisms provided by class `com.aicas.jamaica.lang.Debug` will be used to print the exception to `stderr`.

## **getStackTrace**

*Signature*

```
public
  java.lang.StackTraceElement[] getStackTrace()
```

*Returns*

array representing the stack trace, never `null`.

Get the stack trace created by `fillInStackTrace` for this `Throwable` as an array of `StackTraceElements`.

The stack trace does not need to contain entries for all methods that are actually on the call stack, the virtual machine may decide to skip some stack trace entries. Even an empty array is a valid result of this function.

Repeated calls of this function without intervening calls to `fillInStackTrace` will return the same result.

For `JamaicaVM`, the stack trace may omit methods that are compiled by the static compiler. Particularly, methods are compiled and that do not contain an exception handler themselves usually do not require the creation of a stack frame at runtime. To improve performance, no stack frame is generated in these cases.

If memory areas of the RTSJ are used (see [MemoryArea<sup>1</sup>](#)), and this `Throwable` was allocated in a different memory area than the current allocation context, the resulting stack trace will be allocated in either the same memory area this was allocated in or the current memory area, depending on which is the least deeply nested, thereby creating objects that are assignment compatible with both areas.

## **setStackTrace(java.lang.StackTraceElement[])**

*Signature*

```
public
  void setStackTrace(java.lang.StackTraceElement[] new_stackTrace)
  throws NullPointerException
```

---

<sup>1</sup>Section [11.4.3.7](#)

*Parameters*

*new\_stackTrace* the stack trace to replace be used.

*Throws*

*NullPointerException* if *new\_stackTrace* or any element of *new\_stackTrace* is null.

This method allows overriding the stack trace that was filled during construction of this object. It is intended to be used in a serialization context when the stack trace of a remote exception should be treated like a local.

## 14.2.2 Exceptions

### 14.2.2.1 `ArrivalTimeQueueOverflowException`

---

#### Inheritance

```
java.lang.Object
  java.lang.Throwable
    java.lang.Exception
      java.lang.RuntimeException
        javax.realtime.ArrivalTimeQueueOverflowException
```

If an arrival time occurs and should be queued but the queue already holds a number of times equal to the initial queue length defined by this an instance of this class may be thrown. If the arrival time is a result of a happening to which the instance of `AsyncEventHandler` is bound then the arrival time is ignored.

**Available since RTSJ version RTSJ 1.0.1 Becomes unchecked**

#### 14.2.2.1.1 Fields

---

```
serialVersionUID
  private static final serialVersionUID
```

#### 14.2.2.1.2 Constructors

---

## ArrivalTimeQueueOverflowException

### Signature

```
public
    ArrivalTimeQueueOverflowException()
```

A constructor for `ArrivalTimeQueueOverflowException`.

## ArrivalTimeQueueOverflowException(String)

### Signature

```
public
    ArrivalTimeQueueOverflowException(String description)
```

### Parameters

*description* A description of the exception.

A descriptive constructor for `ArrivalTimeQueueOverflowException`.

### 14.2.2.2 CeilingViolationException

---

#### Inheritance

```
java.lang.Object
  java.lang.Throwable
    java.lang.Exception
      java.lang.RuntimeException
        java.lang.IllegalArgumentException
          java.lang.IllegalStateException
            javax.realtime.CeilingViolationException
```

This exception is thrown when a schedulable or `java.lang.Thread` attempts to lock an object governed by an instance of `PriorityCeilingEmulation`<sup>2</sup> and the thread or SO's base priority exceeds the policy's ceiling.

#### 14.2.2.2.1 Fields

---

---

<sup>2</sup>Section 7.3.1.2

```
serialVersionUID
    private static final serialVersionUID
```

#### 14.2.2.2.2 Constructors

---

### CeilingViolationException

*Signature*

```
CeilingViolationException()
```

Construct a `CeilingViolationException` instance with a message consisting of a zero-length string and default values for the `callerPriority` and `ceiling`.

### CeilingViolationException(String)

*Signature*

```
CeilingViolationException(String description)
```

*Parameters*

*description* The message

Construct a `CeilingViolationException` instance with the specified message and default values for the `callerPriority` and `ceiling`.

### CeilingViolationException(int, int)

*Signature*

```
CeilingViolationException(int callerPriority, int ceiling)
```

*Parameters*

*callerPriority* The priority of the schedulable that attempted to acquire the lock.

*ceiling* The lock's ceiling.

Construct a `CeilingViolationException` instance with the a zero-length string for a message and the specified `callerPriority` and `ceiling`.

## **CeilingViolationException(String, int, int)**

*Signature*

```
CeilingViolationException(String description, int callerPriority, int ceiling)
```

*Parameters*

*description* A description of the exception.

*callerPriority* The priority of the schedulable that attempted to acquire the lock.

*ceiling* The lock's ceiling.

Construct a `CeilingViolationException` instance.

### **14.2.2.2.3 Methods**

---

## **getCeiling**

*Signature*

```
public  
int getCeiling()
```

*Returns*

The ceiling of the `PriorityCeilingEmulation` policy which caused this exception to be thrown.

Gets the ceiling of the `PriorityCeilingEmulation` policy which was exceeded by the base priority of an SO or thread that attempted to synchronize on an object governed by the policy, which resulted in throwing of `this`.

## **getCallerPriority**

*Signature*

```
public  
int getCallerPriority()
```

*Returns*

The synchronizing thread's base priority.  
Gets the base priority of the SO or thread whose attempt to synchronize resulted in the throwing of this.

### 14.2.2.3 DeregistrationException

---

#### Inheritance

```
java.lang.Object
  java.lang.Throwable
    java.lang.Exception
      java.lang.RuntimeException
        javax.realtime.DeregistrationException
```

#### 14.2.2.3.1 Fields

---

##### **serialVersionUID**

```
private static final serialVersionUID
```

#### 14.2.2.3.2 Constructors

---

## DeregistrationException

### *Signature*

```
public
  DeregistrationException()
```

## DeregistrationException(String)

### *Signature*

```
public
  DeregistrationException(String message)
```

## DeregistrationException(Throwable)

*Signature*

```
public
    DeregistrationException(Throwable cause)
```

## DeregistrationException(String, Throwable)

*Signature*

```
public
    DeregistrationException(String message, Throwable cause)
```

### 14.2.2.4 DuplicateEventException

---

#### Inheritance

```
java.lang.Object
  java.lang.Throwable
    java.lang.Exception
      javax.realtime.DuplicateEventException
```

#### 14.2.2.4.1 Fields

---

##### serialVersionUID

```
private static final serialVersionUID
```

#### 14.2.2.4.2 Constructors

---

## DuplicateEventException

*Signature*

```
public
    DuplicateEventException()
```

### 14.2.2.5 DuplicateFilterException

---

#### Inheritance

```
java.lang.Object
  java.lang.Throwable
    java.lang.Exception
      javax.realtime.DuplicateFilterException
```

[PhysicalMemoryManager](#)<sup>3</sup> can only accommodate one filter object for each type of memory. It throws this exception if an attempt is made to register more than one filter for a type of memory.

#### 14.2.2.5.1 Fields

---

```
serialVersionUID
    private static final serialVersionUID
```

#### 14.2.2.5.2 Constructors

---

## DuplicateFilterException

*Signature*

```
public
    DuplicateFilterException()
```

A constructor for DuplicateFilterException.

---

<sup>3</sup>Section [15.3.2.3](#)



## DuplicateFilterException(String)

### Signature

```
public
    DuplicateFilterException(String description)
```

### Parameters

*description* Description of the error.

A descriptive constructor for DuplicateFilterException.

### 14.2.2.6 InaccessibleAreaException

---

#### Inheritance

```
java.lang.Object
  java.lang.Throwable
    java.lang.Exception
      java.lang.RuntimeException
        javax.realtime.InaccessibleAreaException
```

The specified memory area is not on the current thread's scope stack.

Available since RTSJ version RTSJ 1.0.1 Becomes unchecked

#### 14.2.2.6.1 Fields

---

```
serialVersionUID
    private static final serialVersionUID
```

#### 14.2.2.6.2 Constructors

---

## InaccessibleAreaException

### Signature

```
public  
    InaccessibleAreaException()
```

A constructor for `InaccessibleAreaException`.

### **InaccessibleAreaException(String)**

*Signature*

```
public  
    InaccessibleAreaException(String description)
```

*Parameters*

*description* Description of the error.

A descriptive constructor for `InaccessibleAreaException`.

#### **14.2.2.7 LateStartException**

---

##### **Inheritance**

```
java.lang.Object  
    java.lang.Throwable  
        java.lang.Exception  
            javax.realtime.LateStartException
```

Exception thrown when a periodic realtime thread or timer is started after its assigned, absolute, start time.

**Available since RTSJ version RTSJ 2.0**

##### **14.2.2.7.1 Fields**

---

```
serialVersionUID  
    private static final serialVersionUID
```

##### **14.2.2.7.2 Constructors**

---

## LateStartException

*Signature*

```
public
    LateStartException()
```

## LateStartException(String)

*Signature*

```
public
    LateStartException(String description)
```

### 14.2.2.8 MITViolationException

---

#### Inheritance

```
java.lang.Object
  java.lang.Throwable
    java.lang.Exception
      java.lang.RuntimeException
        javax.realtime.MITViolationException
```

Thrown by the [AsyncEvent.fire\(\)](#)<sup>4</sup> on a minimum interarrival time violation. More specifically, it is thrown under the semantics of the base priority scheduler's sporadic parameters' `mitViolationExcept` policy when an attempt is made to introduce a release that would violate the MIT constraint.

**Available since RTSJ version RTSJ 1.0.1 Becomes unchecked**

#### 14.2.2.8.1 Fields

---

```
serialVersionUID
    private static final serialVersionUID
```

---

<sup>4</sup>Section [8.4.3.4.2](#)

### 14.2.2.8.2 Constructors

---

## MITViolationException

*Signature*

```
public
    MITViolationException()
```

A constructor for MITViolationException.

## MITViolationException(String)

*Signature*

```
public
    MITViolationException(String description)
```

*Parameters*

*description* Description of the error.

A descriptive constructor for MITViolationException.

### 14.2.2.9 MemoryInUseException

---

#### Inheritance

```
java.lang.Object
  java.lang.Throwable
    java.lang.Exception
      java.lang.RuntimeException
        javax.realtime.MemoryInUseException
```

There has been attempt to allocate a range of physical or virtual memory that is already in use.

#### 14.2.2.9.1 Fields

---

```
serialVersionUID
    private static final serialVersionUID
```

#### 14.2.2.9.2 Constructors

---

### MemoryInUseException

*Signature*

```
public
    MemoryInUseException()
```

A constructor for MemoryInUseException.

### MemoryInUseException(String)

*Signature*

```
public
    MemoryInUseException(String description)
```

*Parameters*

*description* Description of the error.

A descriptive constructor for MemoryInUseException.

#### 14.2.2.10 MemoryScopeException

---

##### Inheritance

```
java.lang.Object
    java.lang.Throwable
        java.lang.Exception
            java.lang.RuntimeException
                javax.realtime.MemoryScopeException
```

when construction of any of the wait-free queues is attempted with the ends of the queue in incompatible memory areas. Also thrown by wait-free queue methods when such an incompatibility is detected after the queue is constructed.

#### 14.2.2.10.1 Fields

---

**serialVersionUID**

```
private static final serialVersionUID
```

#### 14.2.2.10.2 Constructors

---

### MemoryScopeException

*Signature*

```
public  
    MemoryScopeException()
```

A constructor for `MemoryScopeException`.

### MemoryScopeException(String)

*Signature*

```
public  
    MemoryScopeException(String description)
```

*Parameters*

*description* A description of the exception.

A descriptive constructor for `MemoryScopeException`.

#### 14.2.2.11 MemoryTypeConflictException

---

### Inheritance

```
java.lang.Object  
    java.lang.Throwable  
        java.lang.Exception  
            java.lang.RuntimeException
```

### `javax.realtime.MemoryTypeConflictException`

This exception is thrown when the `PhysicalMemoryManager`<sup>5</sup> is given conflicting specifications for memory. The conflict can be between types in an array of memory type specifiers, or between the specifiers and a specified base address.

**Available since RTSJ version RTSJ 1.0.1 Changed to an unchecked exception.**

#### 14.2.2.11.1 Fields

---

##### `serialVersionUID`

```
private static final serialVersionUID
```

#### 14.2.2.11.2 Constructors

---

## MemoryTypeConflictException

### *Signature*

```
public  
    MemoryTypeConflictException()
```

A constructor for `MemoryTypeConflictException`.

## MemoryTypeConflictException(String)

### *Signature*

```
public  
    MemoryTypeConflictException(String description)
```

### *Parameters*

*description* A description of the exception.

A descriptive constructor for `MemoryTypeConflictException`.

---

<sup>5</sup>Section [15.3.2.3](#)

### 14.2.2.12 OffsetOutOfBoundsException

---

#### Inheritance

```
java.lang.Object
  java.lang.Throwable
    java.lang.Exception
      java.lang.RuntimeException
        javax.realtime.OffsetOutOfBoundsException
```

when the constructor of an [ImmutablePhysicalMemory](#)<sup>6</sup>, [LTPhysicalMemory](#)<sup>7</sup>, [VTPhysicalMemory](#)<sup>8</sup>, [RawMemoryAccess](#)<sup>9</sup>, or [RawMemoryFloatAccess](#)<sup>10</sup> is given an invalid address.

Available since RTSJ version RTSJ 1.0.1 Becomes unchecked

#### 14.2.2.12.1 Fields

---

##### **serialVersionUID**

```
private static final serialVersionUID
```

#### 14.2.2.12.2 Constructors

---

## OffsetOutOfBoundsException

### *Signature*

```
public
  OffsetOutOfBoundsException()
```

A constructor for `OffsetOutOfBoundsException`.

---

<sup>6</sup>Section [11.4.3.4](#)

<sup>7</sup>Section [11.4.3.6](#)

<sup>8</sup>Section [15.3.2.8](#)

<sup>9</sup>Section [15.3.2.5](#)

<sup>10</sup>Section [15.3.2.6](#)



## OffsetOutOfBoundsException(String)

### Signature

```
public  
    OffsetOutOfBoundsException(String description)
```

### Parameters

*description* A description of the exception.

A descriptive constructor for `OffsetOutOfBoundsException`.

### 14.2.2.13 ProcessorAffinityException

---

#### Inheritance

```
java.lang.Object  
    java.lang.Throwable  
        java.lang.Exception  
            javax.realtime.ProcessorAffinityException
```

Exception used to report processor affinity-related errors.

Available since RTSJ version RTSJ 2.0

#### 14.2.2.13.1 Fields

---

```
serialVersionUID  
    private static final serialVersionUID
```

#### 14.2.2.13.2 Constructors

---

## ProcessorAffinityException

### Signature

```
public
    ProcessorAffinityException()
```

## ProcessorAffinityException(String)

*Signature*

```
public
    ProcessorAffinityException(String msg)
```

### 14.2.2.14 RegistrationException

---

#### Inheritance

```
java.lang.Object
  java.lang.Throwable
    java.lang.Exception
      java.lang.RuntimeException
        javax.realtime.RegistrationException
```

#### 14.2.2.14.1 Fields

---

```
serialVersionUID
    private static final serialVersionUID
```

#### 14.2.2.14.2 Constructors

---

## RegistrationException

*Signature*

```
public
    RegistrationException()
```

## RegistrationException(String, Throwable)

*Signature*

```
public
    RegistrationException(String message, Throwable cause)
```

## RegistrationException(String)

*Signature*

```
public
    RegistrationException(String message)
```

## RegistrationException(Throwable)

*Signature*

```
public
    RegistrationException(Throwable cause)
```

### 14.2.2.15 ScopedCycleException

---

#### Inheritance

```
java.lang.Object
  java.lang.Throwable
    java.lang.Exception
      java.lang.RuntimeException
        javax.realtime.ScopedCycleException
```

Thrown when a schedulable attempts to enter an instance of [ScopedMemory](#)<sup>11</sup> where that operation would cause a violation of the single parent rule.

#### 14.2.2.15.1 Fields

---

---

<sup>11</sup>Section [11.4.3.12](#)

```
serialVersionUID
```

```
private static final serialVersionUID
```

#### 14.2.2.15.2 Constructors

---

### ScopedCycleException

*Signature*

```
public  
    ScopedCycleException()
```

A constructor for `ScopedCycleException`.

### ScopedCycleException(String)

*Signature*

```
public  
    ScopedCycleException(String description)
```

*Parameters*

*description* Description of the error.

A descriptive constructor for `ScopedCycleException`.

#### 14.2.2.16 SizeOutOfBoundsException

---

### Inheritance

```
java.lang.Object  
    java.lang.Throwable  
        java.lang.Exception  
            java.lang.RuntimeException  
                javax.realtime.SizeOutOfBoundsException
```

To throw when the constructor of an [ImmortalPhysicalMemory](#)<sup>12</sup>, [LTPhysicalMemory](#)<sup>13</sup>, or [VTPhysicalMemory](#)<sup>14</sup> is given an invalid size or if a memory access generated by a raw memory accessor instance (See [RawMemory](#)<sup>15</sup>.) would cause access to an invalid address.

Available since RTSJ version RTSJ 1.0.1 Becomes unchecked

#### 14.2.2.16.1 Fields

---

```
serialVersionUID  
    private static final serialVersionUID
```

#### 14.2.2.16.2 Constructors

---

### SizeOutOfBoundsException

*Signature*

```
public  
    SizeOutOfBoundsException()
```

A constructor for `SizeOutOfBoundsException`.

### SizeOutOfBoundsException(String)

*Signature*

```
public  
    SizeOutOfBoundsException(String description)
```

*Parameters*

---

<sup>12</sup>Section [11.4.3.4](#)

<sup>13</sup>Section [11.4.3.6](#)

<sup>14</sup>Section [15.3.2.8](#)

<sup>15</sup>Section [12.4.1.16](#)

*description* The description of the exception.

A descriptive constructor for `SizeOutOfBoundsException`.

#### 14.2.2.17 `UnknownHappeningException`

---

##### Inheritance

```
java.lang.Object
  java.lang.Throwable
    java.lang.Exception
      java.lang.RuntimeException
        javax.realtime.UnknownHappeningException
```

This exception is used to indicate a situation where an instance of `AsyncEvent`<sup>16</sup> attempts to bind to a happening that does not exist.

##### 14.2.2.17.1 Fields

---

###### `serialVersionUID`

```
private static final serialVersionUID
```

##### 14.2.2.17.2 Constructors

---

## `UnknownHappeningException`

### *Signature*

```
public
  UnknownHappeningException()
```

A constructor for `UnknownHappeningException`.

---

<sup>16</sup>Section [8.4.3.4](#)

## UnknownHappeningException(String)

### Signature

```
public
    UnknownHappeningException(String description)
```

### Parameters

*description* Description of the error.

A descriptive constructor for UnknownHappeningException.

### 14.2.2.18 UnsupportedPhysicalMemoryException

---

#### Inheritance

```
java.lang.Object
  java.lang.Throwable
    java.lang.Exception
      java.lang.RuntimeException
        javax.realtime.UnsupportedPhysicalMemoryException
```

Thrown when the underlying hardware does not support the type of physical memory requested from an instance of one of the physical memory or raw memory access classes.

[See Section RawMemoryAccess](#))

[See Section RawMemoryFloatAccess](#))

[See Section ImmortalPhysicalMemory](#))

[See Section LTPhysicalMemory](#))

[See Section VTPhysicalMemory](#))

**Available since RTSJ version RTSJ 1.0.1 Becomes unchecked**

#### 14.2.2.18.1 Fields

---

```
serialVersionUID
    private static final serialVersionUID
```

#### 14.2.2.18.2 Constructors

---

### UnsupportedPhysicalMemoryException

*Signature*

```
public
    UnsupportedPhysicalMemoryException()
```

A constructor for `UnsupportedPhysicalMemoryException`.

### UnsupportedPhysicalMemoryException(String)

*Signature*

```
public
    UnsupportedPhysicalMemoryException(String description)
```

*Parameters*

*description* The description of the exception.

A descriptive constructor for `UnsupportedPhysicalMemoryException`.

## 14.2.3 Classes

### 14.2.3.1 AlignmentError

---

#### Inheritance

```
java.lang.Object
    java.lang.Throwable
        java.lang.Error
            javax.realtime.AlignmentError
```

The exception thrown on an on a request for a raw memory factory to return memory for a base address that is aligned such that the factory cannot guarantee that loads and stores based on that address will meet the factory's specifications. For instance, on many processors, odd addresses are unsuitable for anything but byte access.



### 14.2.3.1.1 Fields

---

**serialVersionUID**

```
private static final serialVersionUID
```

### 14.2.3.1.2 Constructors

---

## AlignmentError

*Signature*

```
public  
    AlignmentError()
```

### 14.2.3.2 BacktraceManagement

---

#### Inheritance

```
java.lang.Object  
    javax.realtime.BacktraceManagement
```

Provide the static methods for managing the thread local memory used for storing the data needed by preallocated exceptions. Preallocated methods can implement their methods using these methods. User code should not call these methods directly.

**Available since RTSJ version RTSJ 2.0**

### 14.2.3.2.1 Constructors

---

## BacktraceManagement

### *Signature*

```
public
    BacktraceManagement()
```

### 14.2.3.2.2 Methods

---

## fillInStackTrace

### *Signature*

```
public static
    void fillInStackTrace()
```

Capture the current thread's stack trace and save it in thread local storage. Only the part of the stack trace that fits in the preallocated buffer is stored. This method should be called by a preallocated exception to implement its method of the same name.

## getMessage

### *Signature*

```
public static
    java.lang.String getMessage()
```

### *Returns*

the message

Get the message from thread local storage that was saved by the last preallocated exception thrown. This method should be called by a preallocated exception to implement its method of the same name.

## initMessage(String)

### *Signature*

```
public static
    void initMessage(String message)
```

### *Parameters*

*message* the message to save.

Save the message in thread local storage for later retrieval. Only the part of the message that fits in the preallocated buffer is stored. This method should be called by a preallocated exception to implement its method of the same name.

## **getCause**

### *Signature*

```
public static
    java.lang.Throwable getCause()
```

### *Returns*

the message

Get the cause from thread local storage that was saved by the last preallocated exception thrown. The actual exception that of the cause is not saved, but just a reference to its type. This returns a newly allocated exception without any valid content, i.e., no valid stack trace. This method should be called by a preallocated exception to implement its method of the same name.

## **initCause(Throwable)**

### *Signature*

```
public static
    void initCause(Throwable causingThrowable)
```

### *Parameters*

*causingThrowable*

Save the message in thread local storage for later retrieval. Only a reference to the exception class is stored. The rest of its information is lost. This method should be called by a preallocated exception to implement its method of the same name.

## **getStackTrace**

### *Signature*

```
public static
    java.lang.StackTraceElement[] getStackTrace()
```

### *Returns*

an array of the elements of the stack trace.

Get the stack trace from thread local storage that was saved by the last preallocated exception thrown. This method should be called by a preallocated exception to implement its method of the same name.

### 14.2.3.3 IllegalAssignmentError

---

#### Inheritance

```
java.lang.Object
  java.lang.Throwable
    java.lang.Error
      javax.realtime.IllegalAssignmentError
```

The exception thrown on an attempt to make an illegal assignment. For example, this will be thrown on any attempt to assign a reference to an object in scoped memory (an area of memory identified by an instance of [ScopedMemory](#)<sup>17</sup>) to a field of an object in immortal memory.

#### 14.2.3.3.1 Fields

---

```
serialVersionUID
  private static final serialVersionUID
```

#### 14.2.3.3.2 Constructors

---

### IllegalAssignmentError

#### *Signature*

```
public
  IllegalAssignmentError()
```

A constructor for `IllegalAssignmentError`.

### IllegalAssignmentError(String)

#### *Signature*

---

<sup>17</sup>Section [11.4.3.12](#)

```
public
    IllegalAssignmentError(String description)
```

#### *Parameters*

*description* Description of the error.

A descriptive constructor for `IllegalAssignmentError`.

### 14.2.3.4 `MemoryAccessError`

---

#### **Inheritance**

```
java.lang.Object
  java.lang.Throwable
    java.lang.Error
      javax.realtime.MemoryAccessError
```

This error is thrown on an attempt to refer to an object in an inaccessible `MemoryArea`<sup>18</sup>. For example this will be when logic in a `NoHeapRealtimeThread`<sup>19</sup> attempts to refer to an object in the traditional Java heap.

#### 14.2.3.4.1 `Fields`

---

```
serialVersionUID
    private static final serialVersionUID
```

#### 14.2.3.4.2 `Constructors`

---

## **MemoryAccessError**

#### *Signature*

```
public
    MemoryAccessError()
```

A constructor for `MemoryAccessError`.

---

<sup>18</sup>Section [11.4.3.7](#)

<sup>19</sup>Section [15.3.2.1](#)

## MemoryAccessError(String)

### *Signature*

```
public
    MemoryAccessError(String description)
```

### *Parameters*

*description* Description of the error.

A descriptive constructor for `MemoryAccessError`.

### 14.2.3.5 ResourceLimitError

---

#### **Inheritance**

```
java.lang.Object
  java.lang.Throwable
    java.lang.Error
      javax.realtime.ResourceLimitError
```

when an attempt is made to exceed a system resource limit, such as the maximum number of locks.

#### 14.2.3.5.1 Fields

---

##### **serialVersionUID**

```
private static final serialVersionUID
```

#### 14.2.3.5.2 Constructors

---

## ResourceLimitError

### *Signature*

```
public
    ResourceLimitError()
```

A constructor for `ResourceLimitError`.

## ResourceLimitError(String)

### Signature

```
public
    ResourceLimitError(String description)
```

### Parameters

*description* The description of the exception.  
A descriptive constructor for ResourceLimitError.

### 14.2.3.6 ThrowBoundaryError

---

#### Inheritance

```
java.lang.Object
  java.lang.Throwable
    java.lang.Error
      javax.realtime.ThrowBoundaryError
```

The error thrown by `MemoryArea.enter(Runnable logic)`<sup>20</sup> when a Throwable allocated from memory that is not usable in the surrounding scope tries to propagate out of the scope of the `enter`.

#### 14.2.3.6.1 Fields

---

```
serialVersionUID
    private static final serialVersionUID
```

#### 14.2.3.6.2 Constructors

---

## ThrowBoundaryError

### Signature

---

<sup>20</sup>Section [11.4.3.7.2](#)

```
public
    ThrowBoundaryError()
```

A constructor for `ThrowBoundaryError`.

### **ThrowBoundaryError(String)**

*Signature*

```
public
    ThrowBoundaryError(String description)
```

*Parameters*

*description* Description of the error.

A descriptive constructor for `ThrowBoundaryError`.

#### **14.2.4 Rationale**

The need for additional exceptions given the new semantics added by the other sections of this specification is obvious. That the specification attaches new, non-traditional, exception semantics to `AsynchronouslyInterruptedException` is, perhaps, not so obvious. However, after careful thought, and given our self-imposed directive that only well-defined code blocks would be subject to having their control asynchronously transferred, the chosen mechanism is logical.



# Chapter 15

## Deprecated Classes

### 15.1 Overview

Since modules are new in 2.0 and this version introduces new ways of handling happening, POSIX signals, and raw memory access, there is no need to include the old API in the RTSJ subsets. Therefore the deprecated classes have moved here. Only full implementation of the RTSJ should implement them.

### 15.2 Semantics

Implementations of these classes are optional. They are only needed for backward compatibility. They should not be included in implementations that do not include all modules.

## 15.3 Package javax.realtime

### 15.3.1 Interfaces

#### 15.3.1.1 PhysicalMemoryName

---

Tagging interface used to identify objects used to name physical memory types.

Available since RTSJ version RTSJ 2.0

#### 15.3.1.2 PhysicalMemoryTypeFilter

---

Implementation or device providers may include classes that implement `PhysicalMemoryTypeFilter` which allow additional characteristics of memory in devices to be specified. Implementations of `PhysicalMemoryTypeFilter` are intended to be used by the `PhysicalMemoryManager`<sup>1</sup>, not directly from application code.

Deprecated since RTSJ version as of RTSJ 2.0

##### 15.3.1.2.1 Methods

---

### `contains(long, long)`

#### *Signature*

```
public  
boolean contains(long base, long size)
```

#### *Parameters*

*base* The physical address of the beginning of the memory region.  
*size* The size of the memory region.

---

<sup>1</sup>Section [15.3.2.3](#)

*Throws*

*IllegalArgumentException* when **base** or **size** is negative.

*OffsetOutOfBoundsException* when **base** is less than zero.

*SizeOutOfBoundsException* when **base** plus **size** would be greater than the physical addressing range of the processor.

*Returns*

true if the specified range contains ANY of this type of memory.

Queries the system about whether the specified range of memory contains any of this type.

[See Section PhysicalMemoryManager.isRemovable](#))

**find(long, long)***Signature*

```
public
long find(long base, long size)
```

*Parameters*

*base* The physical address at which to start searching.

*size* The amount of memory to be found.

*Throws*

*OffsetOutOfBoundsException* when **base** is less than zero.

*SizeOutOfBoundsException* when **base** plus **size** would be greater than the physical addressing range of the processor.

*IllegalArgumentException* when **base** or **size** is negative.

*Returns*

The address where memory was found or -1 if it was not found.

Search for physical memory of the right type.

**getVMAttributes***Signature*

```
public
int getVMAttributes()
```

*Returns*

The virtual memory attributes as an integer.

Gets the virtual memory attributes of **this**. The value of this field is as defined for the POSIX `mmap` function's `prot` parameter for the platform. The meaning of the bits is platform-dependent. POSIX defines constants for `PROT_READ`, `PROT_WRITE`, `PROT_EXEC`, and `PROT_NONE`.

## getVMFlags

### Signature

```
public
int getVMFlags()
```

### Returns

The virtual memory flags as an integer.

Gets the virtual memory flags of **this**. The value of this field is as defined for the POSIX `mmap` function's `flags` parameter for the platform. The meaning of the bits is platform-dependent. POSIX defines constants for `MAP_SHARED`, `MAP_PRIVATE`, and `MAP_FIXED`.

## initialize(long, long, long)

### Signature

```
public
void initialize(long base, long vBase, long size)
```

### Parameters

*base* The address of the beginning of the physical memory region.

*vBase* The address of the beginning of the virtual memory region.

*size* The size of the memory region.

### Throws

*IllegalArgumentException* when `base` or `size` is negative.

*OffsetOutOfBoundsException* when `base` is less than zero.

*SizeOutOfBoundsException* when `base` plus `size` would be greater than the physical addressing range of the processor, or `vBase` plus `size` would exceed the virtual addressing range of the processor.

If configuration is required for memory to fit the attribute of this object, do the configuration here.

## isPresent(long, long)

### Signature

```
public
boolean isPresent(long base, long size)
```

### Parameters

*base* The address of the beginning of the memory region.

*size* The size of the memory region.

### Throws

*IllegalArgumentException* if the `base` and `size` do not fall into this type of memory.

*OffsetOutOfBoundsException* when **base** is less than zero.

*SizeOutOfBoundsException* when **base** plus **size** would be greater than the physical addressing range of the processor.

*Returns*

True if all of the memory is present. False if any of the memory has been removed.

Queries the system about the existence of the specified range of physical memory.

See Section [PhysicalMemoryManager.isRemoved](#))

## isRemovable

*Signature*

```
public
boolean isRemovable()
```

*Returns*

true if this type of memory is removable.

Queries the system about the removability of this memory.

## onInsertion(long, long, AsyncEvent)

*Signature*

```
public
void onInsertion(long base, long size, AsyncEvent ae)
```

*Parameters*

*base* The starting address in physical memory.

*size* The size of the memory area.

*ae* The async event to fire.

*Throws*

*IllegalArgumentException* when **ae** is null, or if the specified range contains no removable memory of this type. *IllegalArgumentException* may also be thrown if **size** is less than zero.

*OffsetOutOfBoundsException* when **base** is less than zero.

*SizeOutOfBoundsException* when **base** plus **size** would be greater than the physical addressing range of the processor.

Register the specified [AsyncEvent](#)<sup>2</sup> to fire when any memory of this type in the range is added to the system.

---

<sup>2</sup>Section [8.4.3.4](#)

Available since RTSJ version RTSJ 1.0.1

## **onRemoval(long, long, AsyncEvent)**

### *Signature*

```
public  
void onRemoval(long base, long size, AsyncEvent ae)
```

### *Parameters*

*base* The starting address in physical memory.  
*size* The size of the memory area.  
*ae* The async event to register.

### *Throws*

*IllegalArgumentException* when the specified range contains no removable memory of this type, if *ae* is null, or if *size* is less than zero.  
*OffsetOutOfBounds* when *base* is less than zero.  
*SizeOutOfBounds* when *base* plus *size* would be greater than the physical addressing range of the processor.

Register the specified AE to fire when any memory in the range is removed from the system.

Available since RTSJ version RTSJ 1.0.1

## **unregisterInsertionEvent(long, long, AsyncEvent)**

### *Signature*

```
public  
boolean unregisterInsertionEvent(long base, long size,  
AsyncEvent ae)
```

### *Parameters*

*base* The starting address in physical memory associated with *ae*.  
*size* The size of the memory area associated with *ae*.  
*ae* The event to unregister.

### *Throws*

*IllegalArgumentException* when *size* is less than 0.  
*OffsetOutOfBounds* when *base* is less than zero.  
*SizeOutOfBounds* when *base* plus *size* would be greater than the physical addressing range of the processor.

### *Returns*

True if at least one event matched the pattern, false if no such event was found. Unregister the specified insertion event. The event is only unregistered if all three arguments match the arguments used to register the event, except that **ae** of **null** matches all values of **ae** and will unregister every **ae** that matches the address range.

Note: This method has no effect on handlers registered directly as async event handlers.

Available since RTSJ version RTSJ 1.0.1

### **unregisterRemovalEvent(long, long, AsyncEvent)**

#### *Signature*

```
public  
boolean unregisterRemovalEvent(long base, long size, AsyncEvent  
ae)
```

#### *Parameters*

*base* The starting address in physical memory associated with **ae**.

*size* The size of the memory area associated with **ae**.

*ae* The async event to unregister.

#### *Throws*

*IllegalArgumentException* when **size** is less than 0.

*OffsetOutOfBoundsException* when **base** is less than zero.

*SizeOutOfBoundsException* when **base** plus **size** would be greater than the physical addressing range of the processor.

#### *Returns*

True if at least one event matched the pattern, false if no such event was found. Unregister the specified removal event. The async event is only unregistered if all three arguments match the arguments used to register the event, except that **ae** of **null** matches all values of **ae** and will unregister every **ae** that matches the address range. Note: This method has no effect on handlers registered directly as async event handlers.

Available since RTSJ version RTSJ 1.0.1

### **vFind(long, long)**

#### *Signature*

```
public  
long vFind(long base, long size)
```

*Parameters*

*base* The address at which to start searching.

*size* The amount of memory to be found.

*Throws*

*OffsetOutOfBoundsException* when **base** is less than zero.

*SizeOutOfBoundsException* when **base** plus **size** would be greater than the physical addressing range of the processor.

*IllegalArgumentException* when **base** or **size** is negative. *IllegalArgumentException* may also be when **base** is an invalid virtual address.

*Returns*

The address where memory was found or -1 if it was not found.

Search for virtual memory of the right type. This is important for systems where attributes are associated with particular ranges of virtual memory.

## 15.3.2 Classes

### 15.3.2.1 NoHeapRealtimeThread

#### Inheritance

```

java.lang.Object
  java.lang.Thread
    javax.realtime.RealtimeThread
      javax.realtime.NoHeapRealtimeThread

```

A `NoHeapRealtimeThread` is a specialized form of `RealtimeThread`<sup>3</sup>. Because an instance of `NoHeapRealtimeThread` may immediately preempt any implemented garbage collector, logic contained in its `run()` is never allowed to allocate or reference any object allocated in the heap. At the byte-code level, it is illegal for a reference to an object allocated in heap to appear on a no-heap realtime thread's operand stack.

Thus, it is always safe for a `NoHeapRealtimeThread` to interrupt the garbage collector at any time, without waiting for the end of the garbage collection cycle or a defined preemption point. Due to these restrictions, a `NoHeapRealtimeThread` object must be placed in a memory area such that thread logic may unexceptionally access instance variables and such that Java methods on `Thread` (e.g., `enumerate` and `join`) complete normally except where execution would cause access violations. The constructors of `NoHeapRealtimeThread` require a reference to `ScopedMemory`<sup>4</sup> or `ImmortalMemory`<sup>5</sup>.

<sup>3</sup>Section 5.3.2.2

<sup>4</sup>Section 11.4.3.12

<sup>5</sup>Section 11.4.3.3



When the thread is started, all execution occurs in the scope of the given memory area. Thus, all memory allocation performed with the *new* operator is taken from this given area.

**Deprecated since RTSJ version since RTSJ 2.0**

#### 15.3.2.1.1 Constructors

---

### **NoHeapRealtimeThread(SchedulingParameters, ReleaseParameters, MemoryParameters, MemoryArea, ProcessingGroupParameters, Runnable)**

#### *Signature*

```
public  
    NoHeapRealtimeThread(SchedulingParameters scheduling, ReleaseParameters releas
```

#### *Parameters*

*scheduling* the SchedulingParameters associated with this (and possibly other instances of Schedulable). When scheduling is null, the default is a copy of the creator's scheduling parameters created in the same memory area as the new NoHeapRealtimeThread.

*release* the ReleaseParameters associated with this (and possibly other instances of Schedulable). If release is null the it defaults to the a copy of the creator's release parameters created in the same memory area as the new NoHeapRealtimeThread.

*memory* the MemoryParameters associated with this (and possibly other instances of Schedulable). When memory is null, the new NoHeapRealtimeThread will have a null value for its memory parameters, and the amount or rate of memory allocation is unrestricted.

*area* the MemoryArea associated with this. If area is null, an IllegalArgumentException is thrown.

*group* the ProcessingGroupParameters associated with this (and possibly other instances of Schedulable). When null, the new NoHeapRealtimeThread will not be associated with any processing group.

*logic* the Runnable object whose run() method will serve as the logic for the new NoHeapRealtimeThread. When logic is null, the run() method in the new object will serve as its logic.

*Throws*

*IllegalArgumentException* when the parameters are not compatible with the associated scheduler, when area is null, when area is heap memory, when area, scheduling release, memory or group is allocated in heap memory. when this is in heap memory, or when logic is in heap memory.

*IllegalAssignmentError* when the new `NoHeapRealtimeThread` instance cannot hold references to non-null values of the scheduling release, memory and group, or if those parameters cannot hold a reference to the new `NoHeapRealtimeThread`.

Create a realtime thread with the given characteristics and a `Runnable`. The thread group of the new thread is (effectively) null. The newly-created no-heap real-time thread is associated with the scheduler in effect during execution of the constructor.

## **NoHeapRealtimeThread(SchedulingParameters, ReleaseParameters, MemoryArea)**

*Signature*

```
public
    NoHeapRealtimeThread(SchedulingParameters scheduling, ReleaseParameters
```

Create a no-heap realtime thread with the given [SchedulingParameters](#)<sup>6</sup>, [ReleaseParameters](#)<sup>7</sup> and [MemoryArea](#)<sup>8</sup>, and default values for all other parameters. This constructor is equivalent to `NoHeapRealtimeThread(scheduling, release, null, area, null, null, null)`.

## **NoHeapRealtimeThread(SchedulingParameters, MemoryArea)**

*Signature*

```
public
    NoHeapRealtimeThread(SchedulingParameters scheduling, MemoryArea area)
```

Create a realtime thread with the given [SchedulingParameters](#)<sup>9</sup> and [MemoryArea](#)<sup>10</sup> and default values for all other parameters.

---

<sup>6</sup>Section [6.4.2.10](#)

<sup>7</sup>Section [6.4.2.8](#)

<sup>8</sup>Section [11.4.3.7](#)

<sup>9</sup>Section [6.4.2.10](#)

<sup>10</sup>Section [11.4.3.7](#)

This constructor is equivalent to `NoHeapRealtimeThread(scheduling, null, null, area, null, null, null)`.

#### 15.3.2.1.2 Methods

---

### **start**

*Signature*

```
public  
void start()
```

See [Section RealtimeThread.start\(\)](#)

### **startPeriodic(PhasingPolicy)**

*Signature*

```
public  
void startPeriodic(PhasingPolicy phasingPolicy)  
throws LateStartException
```

See [Section RealtimeThread.startPeriodic\(PhasingPolicy\)](#)

Available since RTSJ version RTSJ 2.0

#### 15.3.2.2 POSIXSignalHandler

---

### **Inheritance**

```
java.lang.Object  
  javax.realtime.POSIXSignalHandler
```

Jamaica Real-Time Specification for Java class `POSIXSignalHandler`.

This class permits the use of an `AsyncEventHandler` to react on the occurrence of POSIX signals.

On systems that support POSIX signals fully, the 13 signals required by POSIX will be supported. Any further signals defined in this class may be supported by

the system. On systems that do not support POSIX signals, even the 13 standard signals may never be fired.

#### 15.3.2.2.1 Fields

---

##### **TRUE**

```
private static final TRUE
```

true value that cannot be optimized by the compiler.

##### **SIGHUP**

```
public static final SIGHUP
```

Hangup (POSIX).

##### **SIGINT**

```
public static final SIGINT
```

interrupt (ANSI)

##### **SIGQUIT**

```
public static final SIGQUIT
```

quit (POSIX)

##### **SIGILL**

```
public static final SIGILL
```

illegal instruction (ANSI)

##### **SIGTRAP**

```
public static final SIGTRAP
```

trace trap (POSIX), optional signal.

##### **SIGABRT**

```
public static final SIGABRT
```

Abort (ANSI).

##### **SIGBUS**

```
public static final SIGBUS
```

BUS error (4.2 BSD), optional signal.

**SIGFPE**

public static final SIGFPE  
floating point exception

**SIGKILL**

public static final SIGKILL  
Kill, unblockable (POSIX).

**SIGUSR1**

public static final SIGUSR1  
User-defined signal 1 (POSIX).

**SIGSEGV**

public static final SIGSEGV  
Segmentation violation (ANSI).

**SIGUSR2**

public static final SIGUSR2  
User-defined signal 2 (POSIX).

**SIGPIPE**

public static final SIGPIPE  
Broken pipe (POSIX).

**SIGALRM**

public static final SIGALRM  
Alarm clock (POSIX).

**SIGTERM**

public static final SIGTERM  
Termination (ANSI).

**SIGCHLD**

public static final SIGCHLD  
Child status has changed (POSIX).

**SIGCONT**

public static final SIGCONT  
Continue (POSIX), optional signal.

**SIGSTOP**

```
public static final SIGSTOP
```

Stop, unblockable (POSIX), optional signal.

**SIGTSTP**

```
public static final SIGTSTP
```

Keyboard stop (POSIX), optional signal.

**SIGTTIN**

```
public static final SIGTTIN
```

Background read from tty (POSIX), optional signal.

**SIGTTOU**

```
public static final SIGTTOU
```

Background write to tty (POSIX), optional signal.

**SIGURG**

```
public static final SIGURG
```

Urgent condition on socket (4.2 BSD).

**Deprecated since RTSJ version as of RTSJ 1.0.1 not part of POSIX 9945-1-1996 standard**

**SIGXCPU**

```
public static final SIGXCPU
```

CPU limit exceeded (4.2 BSD).

**Deprecated since RTSJ version as of RTSJ 1.0.1 not part of POSIX 9945-1-1996 standard**

**SIGXFSZ**

```
public static final SIGXFSZ
```

File size limit exceeded (4.2 BSD).

**Deprecated since RTSJ version as of RTSJ 1.0.1 not part of POSIX 9945-1-1996 standard**

### **SIGVTALRM**

`public static final SIGVTALRM`

Virtual alarm clock (4.2 BSD).

**Deprecated since RTSJ version as of RTSJ 1.0.1 not part of POSIX 9945-1-1996 standard**

### **SIGPROF**

`public static final SIGPROF`

Profiling alarm clock (4.2 BSD).

**Deprecated since RTSJ version as of RTSJ 1.0.1 not part of POSIX 9945-1-1996 standard**

### **SIGWINCH**

`public static final SIGWINCH`

Window size change (4.3 BSD, Sun).

**Deprecated since RTSJ version as of RTSJ 1.0.1 not part of POSIX 9945-1-1996 standard**

### **SIGIO**

`public static final SIGIO`

I/O now possible (4.2 BSD).

**Deprecated since RTSJ version as of RTSJ 1.0.1 not part of POSIX 9945-1-1996 standard**

### **SIGPWR**

`public static final SIGPWR`

Power failure restart (System V).

**Deprecated since RTSJ version as of RTSJ 1.0.1 not part of POSIX 9945-1-1996 standard**

**SIGSYS**

```
public static final SIGSYS
```

Bad system call, optional signal.

**SIGIOT**

```
public static final SIGIOT
```

IOT instruction (4.2 BSD), optional signal.

**SIGPOLL**

```
public static final SIGPOLL
```

Pollable event occurred (System V).

**Deprecated since RTSJ version as of RTSJ 1.0.1 not part of POSIX 9945-1-1996 standard**

**SIGCLD**

```
public static final SIGCLD
```

Same as SIGCHLD (System V), optional signal.

**SIGEMT**

```
public static final SIGEMT
```

EMT instruction, optional signal.

**SIGLOST**

```
public static final SIGLOST
```

**Deprecated since RTSJ version as of RTSJ 1.0.1 not part of POSIX 9945-1-1996 standard**

**SIGCANCEL**

```
public static final SIGCANCEL
```

**Deprecated since RTSJ version as of RTSJ 1.0.1 not part of POSIX 9945-1-1996 standard**



**SIGFREEZE**

```
public static final SIGFREEZE
```

Deprecated since RTSJ version as of RTSJ 1.0.1 not part of POSIX 9945-1-1996 standard

**SIGLWP**

```
public static final SIGLWP
```

Deprecated since RTSJ version as of RTSJ 1.0.1 not part of POSIX 9945-1-1996 standard

**SIGTHAW**

```
public static final SIGTHAW
```

Deprecated since RTSJ version as of RTSJ 1.0.1 not part of POSIX 9945-1-1996 standard

**SIGWAITING**

```
public static final SIGWAITING
```

Deprecated since RTSJ version as of RTSJ 1.0.1 not part of POSIX 9945-1-1996 standard

15.3.2.2.2 Constructors

---

**POSIXSignalHandler**

*Signature*

```
public  
    POSIXSignalHandler()
```

### 15.3.2.2.3 Methods

---

#### **isSignalDefined(int)**

*Signature*

```
static
boolean isSignalDefined(int signal)
```

*Parameters*

*signal* the signal number.

*Returns*

true iff the given system is defined by one of the constants in this class. check if a given signal is defined in this class. The fact that it is defined does, however, not imply that it will be supported by the underlying platform.

#### **addHandler(int, AsyncEventHandler)**

*Signature*

```
public static
void addHandler(int signal, AsyncEventHandler handler)
```

*Parameters*

*signal* The POSIX signal as defined in the constants SIG\*.  
*handler* the handler to be released on the given signal.

*Throws*

*IllegalArgumentException* iff signal is not defined by any of the constants in this class or handler is null.

addHandler adds the handler provided to the set of handlers that will be released on the provided signal.

#### **removeHandler(int, AsyncEventHandler)**

*Signature*

```
public static
void removeHandler(int signal, AsyncEventHandler handler)
```

*Parameters*

*signal* The POSIX signal as defined in the constants SIG\*.  
*handler* the handler to be removed from the given signal. If this handler is null or has not been added to the signal, nothing will happen.

*Throws*

*IllegalArgumentException* iff signal is not defined by any of the constants in this class.

`removeHandler` removes a handler that was added for a given signal.

## **setHandler(int, AsyncEventHandler)**

### *Signature*

```
public static
void setHandler(int signal, AsyncEventHandler handler)
```

### *Parameters*

*signal* The POSIX signal as defined in the constants SIG\*.

*handler* the handler to be released on the given signal, `null` to remove all handlers for the given signal.

### *Throws*

*IllegalArgumentException* iff signal is not defined by any of the constants in this class.

`setHandler` sets the set of handlers that will be released on the provided signal to the set with the provided handler being the single element.

### 15.3.2.3 PhysicalMemoryManager

---

#### **Inheritance**

```
java.lang.Object
  javax.realtime.PhysicalMemoryManager
```

The `PhysicalMemoryManager` is not ordinarily used by applications, except that the implementation may require the application to use the `registerFilter`<sup>11</sup> method to make the physical memory manager aware of the memory types on their platform. The `PhysicalMemoryManager` class is primarily intended for use by the various physical memory accessor objects (`VTPhysicalMemory`<sup>12</sup>, `LTPhysicalMemory`<sup>13</sup>, and `ImmortalPhysicalMemory`<sup>14</sup>) to create objects of the types requested by the application. The physical memory manager is responsible for finding areas of physical memory with the appropriate characteristics and access rights, and moderating any required combination of physical and virtual memory characteristics.

The Physical Memory Manager assumes that the physical address space is linear but not necessarily contiguous. That is, addresses range from 0 .. `MAX_LONG` but

---

<sup>11</sup>Section 15.3.2.3.3

<sup>12</sup>Section 15.3.2.8

<sup>13</sup>Section 11.4.3.6

<sup>14</sup>Section 11.4.3.4

there may be holes in the memory space. Some of these holes may be filled with removable memory.

The physical memory is partitioned into chunks (pages, segments, etc.). Each chunk of memory has a base address and a length.

Each chunk of memory has certain properties. Some of these properties may require actions to be performed by the Physical Memory Manager when the memory is accessed. For example, access to `IO_PAGE` may require the use of special instructions to even reach the devices, or it may require special code sequences to ensure proper handling of processor write queues and caches.

Filters tell the Physical Memory Manager about the properties of the memory that are available on the machine by registering with the Physical Memory Manager.

When the program requests a physical memory area with particular properties, the constructor communicates with the Physical Memory Manager through a private interface. The Physical Memory Manager asks the filter if the the address specified has the required properties and whether it is free, or asks for a chunk of memory with the requested size.

The Physical Memory Manager then maps the physical memory chunk into virtual memory (on systems that support virtual memory). and locks the virtual memory to the memory chunk.

Examples of characteristics that might be specified are: DMA memory, hardware byte swapping, non-cached access to memory, etc. Standard "names" for some memory characteristics are included in this class — `DMA`, `SHARED`, `ALIGNED`, `BYTESWAP`, and `IO_PAGE` — support for these characteristics is optional, but if they are supported they must use these names. Additional characteristics may be supported, but only names defined in this specification may be visible in the `PhysicalMemoryManager` API.

The base implementation will provide a `PhysicalMemoryManager`.

Original Equipment Manufacturers or other interested parties may provide `PhysicalMemoryTypeFilter`<sup>15</sup> classes that allow additional characteristics of memory devices to be specified.

**Deprecated since RTSJ version as of RTSJ 2.0**

#### 15.3.2.3.1 Fields

---

### **ALIGNED**

---

<sup>15</sup>Section 15.3.1.2

```
public static final ALIGNED
```

If aligned memory is supported by the implementation specify `ALIGNED` to identify aligned memory. This type of memory ignores low-order bits in load and store accesses to force accesses to fall on natural boundaries for the access type even if the processor uses a poorly aligned address.

**Deprecated since RTSJ version as of RTSJ 2.0 This is only applicable to raw memory. Use [RawMemory](#)<sup>16</sup>.**

### BYTESWAP

```
public static final BYTESWAP
```

If automatic byte swapping is supported by the implementation specify `BYTESWAP` if byte swapping should be used. Byte-swapping memory re-orders the bytes in accesses for 16 bits or more such that little-endian data in memory is accessed as big-endian, and vice-versa. Such memory would typically be available in swapped mode in one physical address range and in un-swapped mode in another address range.

**Deprecated since RTSJ version as of RTSJ 2.0 This is only applicable to raw memory. Use [RawMemory](#)<sup>17</sup>.**

### DMA

```
public static final DMA
```

If DMA (Direct Memory Access) memory is supported by the implementation, specify `DMA` to identify DMA memory. This memory is visible to devices that use DMA. In some systems, only a portion of the physical address space is available to DMA devices. On such systems, memory that will be used for DMA must be allocated from the range of addresses that DMA can reach.

**Deprecated since RTSJ version as of RTSJ 2.0 This is only applicable to raw memory. Use [RawMemory](#)<sup>18</sup>.**

### IO\_PAGE

```
public static final IO_PAGE
```

---

<sup>16</sup>Section [12.4.1.16](#)

<sup>17</sup>Section [12.4.1.16](#)

<sup>18</sup>Section [12.4.1.16](#)

If access to the system I/O space is supported by the implementation specify `IO_PAGE` if I/O space should be used. Addresses tagged with the name `IO_PAGE` are used for memory mapped I/O devices. Such addresses are almost certainly not suitable for physical memory, but only for raw memory access.

**Available since RTSJ version RTSJ 1.0.1**

### SHARED

```
public static final SHARED
```

If shared memory is supported by the implementation specify `SHARED` to identify shared memory. In a NUMA (Non-Uniform Memory Access) architecture, processors may make some part of their local memory available to other processors. This memory would be tagged with `SHARED`, as would memory that is shared and non-local.

A fully built-out NUMA system might well need sub-classifications of `SHARED` to reflect different paths to memory. Note that, as with other physical memory names, a single byte of memory may be visible at several physical addresses with different access properties at each address. For instance, a byte of shared memory accesses at address  $x$  might be shared with high-performance access, but without the support of coherent caches. The same byte accessed at address  $y$  might be shared with coherent cache support, but substantially longer access times.

#### 15.3.2.3.2 Constructors

---

### PhysicalMemoryManager

*Signature*

```
private
    PhysicalMemoryManager()
```

Private constructor to prevent a default constructor from appearing. This class should not be instantiated except possibly by internal logic.

#### 15.3.2.3.3 Methods

---

## isRemovable(long, long)

### Signature

```
public static  
boolean isRemovable(long base, long size)
```

### Parameters

*base* The starting address in physical memory.  
*size* The size of the memory area.

### Throws

*IllegalArgumentException* when **size** is less than zero.  
*SizeOutOfBoundsException* when **base** plus **size** would be greater than the physical addressing range of the processor.  
*OffsetOutOfBoundsException* when **base** is less than zero.

### Returns

true if any part of the specified range can be removed.

Queries the system about the removability of the specified range of memory.

## isRemoved(long, long)

### Signature

```
public static  
boolean isRemoved(long base, long size)
```

### Parameters

*base* The starting address in physical memory.  
*size* The size of the memory area.

### Throws

*IllegalArgumentException* when **size** is less than zero.  
*OffsetOutOfBoundsException* when **base** is less than zero.  
*SizeOutOfBoundsException* when **base** plus **size** would be greater than the physical addressing range of the processor.

### Returns

true if any part of the specified range is currently not usable.

Queries the system about the removed state of the specified range of memory. This method is used for devices that lie in the memory address space and can be removed while the system is running. (Such as PC cards).

## onInsertion(long, long, AsyncEvent)

### Signature

```
public static  
void onInsertion(long base, long size, AsyncEvent ae)
```

*Parameters*

*base* The starting address in physical memory.

*size* The size of the memory area.

*ae* The async event to fire.

*Throws*

*IllegalArgumentException* when *ae* is `null`, or if the specified range contains no removable memory, or if *size* is less than zero.

*OffsetOutOfBoundsException* when *base* is less than zero.

*SizeOutOfBoundsException* when *base* plus *size* would be greater than the physical addressing range of the processor.

Register the specified [AsyncEvent](#)<sup>19</sup> to fire when any memory in the range is added to the system. If the specified range of physical memory contains multiple different types of removable memory, the AE will be registered with each of them.

**Available since RTSJ version RTSJ 1.0.1**

**onInsertion(long, long, AsyncEventHandler)***Signature*

```
public static
void onInsertion(long base, long size, AsyncEventHandler aeh)
```

*Parameters*

*base* The starting address in physical memory.

*size* The size of the memory area.

*aeh* The handler to register.

*Throws*

*IllegalArgumentException* when *aeh* is `null`, or if the specified range contains no removable memory, or if *aeh* is `null` and *size* and *base* are both greater than or equal to zero.

*SizeOutOfBoundsException* when *base* plus *size* would be greater than the physical addressing range of the processor.

Register the specified [AsyncEventHandler](#)<sup>20</sup> to run when any memory in the range is added to the system. If the specified range of physical memory contains multiple different types of removable memory, the AEH will be registered with each of them. If the size or the base is less than 0, unregister all "onInsertion" references to the handler.

---

<sup>19</sup>Section [8.4.3.4](#)

<sup>20</sup>Section [8.4.3.5](#)



Note: This method only removes handlers that were registered with the same method. It has no effect on handlers that were registered using an associated async event.

## **onRemoval(long, long, AsyncEvent)**

### *Signature*

```
public static
void onRemoval(long base, long size, AsyncEvent ae)
```

### *Parameters*

*base* The starting address in physical memory.  
*size* The size of the memory area.  
*ae* The async event to register.

### *Throws*

*IllegalArgumentException* when the specified range contains no removable memory, if *ae* is null, or if *size* is less than zero.  
*OffsetOutOfBoundsException* when *base* is less than zero.  
*SizeOutOfBoundsException* when *base* plus *size* would be greater than the physical addressing range of the processor.

Register the specified AE to fire when any memory in the range is removed from the system. If the specified range of physical memory contains multiple different types of removable memory, the AE will be registered with each of them.

## **onRemoval(long, long, AsyncEventHandler)**

### *Signature*

```
public static
void onRemoval(long base, long size, AsyncEventHandler aeh)
```

### *Parameters*

*base* The starting address in physical memory.  
*size* The size of the memory area.  
*aeh* The handler to register.

### *Throws*

*IllegalArgumentException* when the specified range contains no removable memory, or if *aeh* is null and *size* and *base* are both greater than or equal to zero.  
*SizeOutOfBoundsException* when *base* plus *size* would be greater than the physical addressing range of the processor.

Register the specified AEH to run when any memory in the range is removed from the system. If the specified range of physical memory contains multiple different types of removable memory, the AEH will be registered with each of them. If

`size` or `base` is less than 0, unregister all "onRemoval" references to the handler parameter.

Note: This method only removes handlers that were registered with the same method. It has no effect on handlers that were registered using an associated async event.

## **registerFilter(Object, PhysicalMemoryTypeFilter)**

### *Signature*

```
public static final
void registerFilter(Object name, PhysicalMemoryTypeFilter
filter)
throws DuplicateFilterException
```

### *Parameters*

*name* The type of memory handled by this filter.  
*filter* The filter object.

### *Throws*

*DuplicateFilterException* when a filter for this type of memory already exists.  
*ResourceLimitError* when the system is configured for a bounded number of filters. This filter exceeds the bound.

*IllegalArgumentException* when the name parameter is an array of objects, if the name and filter are not both in immortal memory, or if either `name` or `filter` is `null`.

*SecurityException* when this operation is not permitted.

Register a memory type filter with the physical memory manager.

Values of `name` are compared using reference equality (`==`) not value equality (`equals()`).

## **removeFilter(Object)**

### *Signature*

```
public static final
void removeFilter(Object name)
```

### *Parameters*

*name* The identifying object for this memory attribute.

### *Throws*

*IllegalArgumentException* when `name` is `null`.

*SecurityException* when this operation is not permitted.

Remove the identified filter from the set of registered filters. If the filter is not registered, silently do nothing.

Values of `name` are compared using reference equality (`==`) not value equality (`equals()`).

### **unregisterInsertionEvent(long, long, AsyncEvent)**

#### *Signature*

```
public static
boolean unregisterInsertionEvent(long base, long size,
    AsyncEvent ae)
```

#### *Parameters*

*base* The starting address in physical memory associated with `ae`.  
*size* The size of the memory area associated with `ae`.  
*ae* The event to unregister.

#### *Throws*

*IllegalArgumentException* when `size` is less than 0.  
*OffsetOutOfBoundsException* when `base` is less than zero.  
*SizeOutOfBoundsException* when `base` plus `size` would be greater than the physical addressing range of the processor.

#### *Returns*

True if at least one event matched the pattern, false if no such event was found. Unregister the specified insertion event. The event is only unregistered if all three arguments match the arguments used to register the event, except that `ae` of `null` matches all values of `ae` and will unregister every `ae` that matches the address range.

Note: This method has no effect on handlers registered directly as async event handlers.

**Available since RTSJ version RTSJ 1.0.1**

### **unregisterRemovalEvent(long, long, AsyncEvent)**

#### *Signature*

```
public static
boolean unregisterRemovalEvent(long base, long size, AsyncEvent
    ae)
```

#### *Parameters*

*base* The starting address in physical memory associated with `ae`.  
*size* The size of the memory area associated with `ae`.  
*ae* The async event to unregister.

#### *Throws*

*IllegalArgumentException* when `size` is less than 0.

*OffsetOutOfBoundsException* when `base` is less than zero.

*SizeOutOfBoundsException* when `base` plus `size` would be greater than the physical addressing range of the processor.

#### Returns

True if at least one event matched the pattern, false if no such event was found. Unregister the specified removal event. The async event is only unregistered if all three arguments match the arguments used to register the event, except that `ae` of null matches all values of `ae` and will unregister every `ae` that matches the address range.

Note: This method has no effect on handlers registered directly as async event handlers.

Available since RTSJ version RTSJ 1.0.1

### 15.3.2.4 RationalTime

---

#### Inheritance

```
java.lang.Object
  javax.realtime.HighResolutionTime
  javax.realtime.RelativeTime
  javax.realtime.RationalTime
```

An object that represents a time interval  $\text{milliseconds}/10^3 + \text{nanoseconds}/10^9$  seconds long that is divided into subintervals by some frequency. This is generally used in periodic events, threads, and feasibility analysis to specify periods where there is a basic period that must be adhered to strictly (the interval), but within that interval the periodic events are supposed to happen frequency times, as uniformly spaced as possible, but clock and scheduling jitter is moderately acceptable.

**Caution:** This class is explicitly unsafe in multithreaded situations when it is being changed. No synchronization is done. It is assumed that users of this class who are mutating instances will be doing their own synchronization at a higher level. All Implemented Interfaces: `java.lang.Comparable`

Deprecated since RTSJ version as of RTSJ 1.0.1

#### 15.3.2.4.1 Fields

---

```
freq
    freq
```

#### 15.3.2.4.2 Constructors

---

#### 15.3.2.4.3 Methods

---

#### 15.3.2.5 RawMemoryAccess

---

##### Inheritance

```
java.lang.Object
    javax.realtime.RawMemoryAccess
```

An instance of `RawMemoryAccess` models a range of physical memory as a fixed sequence of bytes. A complement of accessor methods enable the contents of the physical area to be accessed through offsets from the base, interpreted as byte, short, int, or long data values or as arrays of these types.

Whether an offset addresses the high-order or low-order byte is normally based on the value of the `RealtimeSystem.BYTE_ORDER`<sup>21</sup> static byte variable in class `RealtimeSystem`<sup>22</sup>. If the type of memory used for this `RawMemoryAccess` region implements non-standard byte ordering, accessor methods in this class continue to select bytes starting at `offset` from the base address and continuing toward greater addresses. The memory type may control the mapping of these bytes into the primitive data type. The memory type could even select bytes that are not contiguous. In each case the documentation for the `PhysicalMemoryTypeFilter`<sup>23</sup> must document any mapping other than the "normal" one specified above.

The `RawMemoryAccess` class allows a realtime program to implement device drivers, memory-mapped I/O, flash memory, battery-backed RAM, and similar low-level software.

A raw memory area cannot contain references to Java objects. Such a capability would be unsafe (since it could be used to defeat Java's type checking) and error-prone (since it is sensitive to the specific representational choices made by the Java compiler).

---

<sup>21</sup>Section 13.3.1.6.1

<sup>22</sup>Section 13.3.1.6

<sup>23</sup>Section 15.3.1.2

Many of the constructors and methods in this class throw `OffsetOutOfBoundsException`<sup>24</sup>. This exception means that the value given in the offset parameter is either negative or outside the memory area.

Many of the constructors and methods in this class throw `SizeOutOfBoundsException`<sup>25</sup>. This exception means that the value given in the size parameter is either negative, larger than an allowable range, or would cause an accessor method to access an address outside of the memory area.

Unlike other integral parameters in this chapter, negative values are valid for `byte`, `short`, `int`, and `long` values that are copied in and out of memory by the `set` and `get` methods of this class.

All offset values used in this class are measured in bytes.

Atomic loads and stores on raw memory are defined in terms of physical memory. This memory may be accessible to threads outside the JVM and to non-programmed access (e.g., DMA), consequently atomic access must be supported by hardware. This specification is written with the assumption that all suitable hardware platforms support atomic loads for aligned bytes, shorts, and ints. Atomic access beyond the specified minimum may be supported by the implementation.

Storing values into raw memory is more hardware-dependent than loading values. Many processor architectures do not support atomic stores of variables except for aligned stores of the processor's word size. For instance, storing a byte into memory might require reading a 32-bit quantity into a processor register, updating the register to reflect the new byte value, then re-storing the whole 32-bit quantity. Changes to other bytes in the 32-bit quantity that take place between the load and the store will be lost.

Some processors have mechanisms that can be used to implement an atomic store of a byte, but those mechanisms are often slow and not universally supported.

This class supports unaligned access to data, but it does not require the implementation to make such access atomic. Accesses to data aligned on its natural boundary will be atomic if the processor implements atomic loads and stores of that data size.

Except where noted, accesses to raw memory are not atomic with respect to the memory or with respect to schedulables. A raw memory area could be updated by another schedulable, or even unmapped in the middle of a method.

The characteristics of raw-memory access are necessarily platform dependent. This specification provides a minimum requirement for the RTSJ platform, but it also supports optional system properties that identify a platform's level of support for atomic raw put and get. The properties represent a four-dimensional sparse array with boolean values indicating whether that combination of access attributes

---

<sup>24</sup>Section [14.2.2.12](#)

<sup>25</sup>Section [14.2.2.16](#)

is atomic. The default value for array entries is false. The dimension are

Attribute	Values	Comment
Access type	read, write	
Data type	<ul style="list-style-type: none"> <li>• byte,</li> <li>• short,</li> <li>• int,</li> <li>• long,</li> <li>• float,</li> <li>• double</li> </ul>	
Alignment	0 to 7	<p>For each data type, the possible alignments range from</p> <ul style="list-style-type: none"> <li>• 0 == aligned</li> <li>• to data size - 1 == only the first byte of the data is <i>alignment</i> bytes away from natural alignment.</li> </ul>
Atomicity	<ul style="list-style-type: none"> <li>• processor,</li> <li>• smp,</li> <li>• memory</li> </ul>	<ul style="list-style-type: none"> <li>• <i>processor</i> means access is atomic with respect to other schedulables on that processor.</li> <li>• <i>smp</i> means that access is <i>processor</i> atomic, and atomic with respect across the processors in an SMP.</li> <li>• <i>memory</i> means that access is <i>smp</i> atomic, and atomic with respect to all access to the memory including DMA.</li> </ul>

The true values in the table are represented by properties of the following form. `javax.realtime.atomicaccess_<access>_<type>_<alignment>.atomicity=true` for example:

```
javax.realtime.atomicaccess_read_byte_0_memory=true
```

Table entries with a value of false may be explicitly represented, but since false is the default value, such properties are redundant.

All raw memory access is treated as volatile, and *serialized*. The run-time must be forced to re-read memory or write to memory on each call to a raw memory `getxxx` or `putxxx` method, and to complete the reads and writes in the order they appear in the program order.

**Deprecated since RTSJ version as of RTSJ 2.0.** Use [RawMemoryFactory](#)<sup>26</sup> to create the appropriate [RawMemory](#)<sup>27</sup> object.

### 15.3.2.5.1 Constructors

---

## RawMemoryAccess(Object, long)

### Signature

```
public
    RawMemoryAccess(Object type, long size)
```

### Parameters

*type* An instance of `Object` representing the type of memory required (e.g., *dma*, *shared*) - used to define the base address and control the mapping. If the required memory has more than one attribute, `type` may be an array of objects. If `type` is `null` or a reference to an array with no entries, any type of memory is acceptable. Note that `type` values are compared by reference (`==`), not by value (`equals`).

*size* The size of the area in bytes.

### Throws

*SecurityException* when the application doesn't have permissions to access physical memory, the specified range of addresses, or the given type of memory.

*SizeOutOfBoundsException* when the size is negative or extends into an invalid range of memory.

---

<sup>26</sup>Section [12.4.3.5](#)

<sup>27</sup>Section [12.4.1.16](#)



*UnsupportedPhysicalMemoryException* when the underlying hardware does not support the given type, or if no matching [PhysicalMemoryTypeFilter](#)<sup>28</sup> has been registered with the [PhysicalMemoryManager](#)<sup>29</sup>.

*MemoryTypeConflictException* when the specified base does not point to memory that matches the request type, or if `type` specifies incompatible memory attributes.

*OutOfMemoryError* when the requested type of memory exists, but there is not enough of it free to satisfy the request.

*SecurityException* when the application doesn't have permissions to access physical memory or the given range of memory.

Construct an instance of `RawMemoryAccess` with the given parameters, and set the object to the mapped state. If the platform supports virtual memory, map the raw memory into virtual memory.

The run time environment is allowed to choose the virtual address where the raw memory area corresponding to this object will be mapped. The attributes of the mapping operation are controlled by the `VMFlags` and `VMAttributes` of the `PhysicalMemoryTypeFilter` objects that matched this object's `type` parameter. (See [PhysicalMemoryTypeFilter.getVMAttributes](#)<sup>30</sup> and [PhysicalMemoryTypeFilter.getVMFlags](#)<sup>31</sup>).

**Deprecated since RTSJ version as of RTSJ 2.0.** Use [RawMemoryFactory](#)<sup>32</sup> to create the appropriate [RawMemory](#)<sup>33</sup> object.

## RawMemoryAccess(Object, long, long)

### Signature

```
public
    RawMemoryAccess(Object type, long base, long size)
```

### Parameters

*type* An instance of `Object` representing the type of memory required (e.g., *dma*, *shared*) - used to define the base address and control the mapping. If the required memory has more than one attribute, `type` may be an array of

---

<sup>28</sup>Section [15.3.1.2](#)

<sup>29</sup>Section [15.3.2.3](#)

<sup>30</sup>Section [15.3.1.2.1](#)

<sup>31</sup>Section [15.3.1.2.1](#)

<sup>32</sup>Section [12.4.3.5](#)

<sup>33</sup>Section [12.4.1.16](#)

objects. If `type` is `null` or a reference to an array with no entries, any type of memory is acceptable. Note that `type` values are compared by reference (`==`), not by value (`equals`).

*base* The physical memory address of the region.

*size* The size of the area in bytes.

#### *Throws*

*SecurityException* when application doesn't have permissions to access physical memory, the specified range of addresses, or the given type of memory.

*OffsetOutOfBoundsException* when the address is invalid.

*SizeOutOfBoundsException* when the size is negative or extends into an invalid range of memory.

*UnsupportedPhysicalMemoryException* when the underlying hardware does not support the given type, or if no matching `PhysicalMemoryTypeFilter`<sup>34</sup> has been registered with the `PhysicalMemoryManager`<sup>35</sup>.

*MemoryTypeConflictException* when the specified base does not point to memory that matches the request type, or if `type` specifies incompatible memory attributes.

*OutOfMemoryError* when the requested type of memory exists, but there is not enough of it free to satisfy the request.

Construct an instance of `RawMemoryAccess` with the given parameters, and set the object to the mapped state. If the platform supports virtual memory, map the raw memory into virtual memory.

The run time environment is allowed to choose the virtual address where the raw memory area corresponding to this object will be mapped. The attributes of the mapping operation are controlled by the `VMFlags` and `VMAttributes` of the `PhysicalMemoryTypeFilter` objects that matched this object's `type` parameter. (See `PhysicalMemoryTypeFilter.getVMAttributes`<sup>36</sup> and `PhysicalMemoryTypeFilter.getVMFlags`<sup>37</sup>).

**Deprecated since RTSJ version as of RTSJ 2.0. Use `RawMemoryFactory`<sup>38</sup> to create the appropriate `RawMemory`<sup>39</sup> object.**

### 15.3.2.5.2 Methods

---

<sup>34</sup>Section 15.3.1.2

<sup>35</sup>Section 15.3.2.3

<sup>36</sup>Section 15.3.1.2.1

<sup>37</sup>Section 15.3.1.2.1

<sup>38</sup>Section 12.4.3.5

<sup>39</sup>Section 12.4.1.16

## getBytes(long)

### Signature

```
public
byte getBytes(long offset)
```

### Parameters

*offset* The offset in bytes from the beginning of the raw memory from which to load the byte.

### Throws

*SizeOutOfBoundsException* when the object is not mapped, or if the byte falls in an invalid address range.

*OffsetOutOfBoundsException* when the offset is negative or greater than the size of the raw memory area. The role of the [SizeOutOfBoundsException](#)<sup>40</sup> somewhat overlaps this exception since it is when the offset is within the object but outside the mapped area.

*SecurityException* when this access is not permitted by the security manager.

### Returns

The byte from raw memory.

Gets the **byte** at the given offset in the memory area associated with this object. The byte is always loaded from memory in a single atomic operation.

Caching of the memory access is controlled by the memory **type** requested when the **RawMemoryAccess** instance was created. If the memory is not cached, this method guarantees serialized access (that is, the memory access at the memory occurs in the same order as in the program. Multiple writes to the same location may not be coalesced.)

See Section `RawMemoryAccess.map(long,long)`.)

## getBytes(long, byte[], int, int)

### Signature

```
public
void getBytes(long offset, byte[] bytes, int low, int number)
```

### Parameters

*offset* The offset in bytes from the beginning of the raw memory from which to start loading.

---

<sup>40</sup>Section [14.2.2.16](#)

*bytes* The array into which the loaded items are placed.

*low* The offset which is the starting point in the given array for the loaded items to be placed.

*number* The number of items to load.

*Throws*

*OffsetOutOfBoundsException* when the offset is negative or greater than the size of the raw memory area. The role of the [SizeOutOfBoundsException](#)<sup>41</sup> somewhat overlaps this exception since it is when the offset is within the object but outside the mapped area.

*SizeOutOfBoundsException* when the object is not mapped, or if the byte falls in an invalid address range. This is checked at every entry in the array to allow for the possibility that the memory area could be unmapped or remapped. The `bytes` array could, therefore, be partially updated if the raw memory is unmapped or remapped mid-method.

*ArrayIndexOutOfBoundsException* when `low` is less than 0 or greater than `bytes.length - 1`, or if `low + number` is greater than or equal to `bytes.length`.

*SecurityException* when this access is not permitted by the security manager.

Gets `number` bytes starting at the given offset in the memory area associated with this object and assigns them to the byte array passed starting at position `low`. Each byte is loaded from memory in a single atomic operation. Groups of bytes may be loaded together, but this is unspecified.

Caching of the memory access is controlled by the memory `type` requested when the `RawMemoryAccess` instance was created. If the memory is not cached, this method guarantees serialized access (that is, the memory access at the memory occurs in the same order as in the program. Multiple writes to the same location may not be coalesced.)

See Section `RawMemoryAccess.map(long,long)`.)

## **getInt(long)**

*Signature*

```
public
int getInt(long offset)
```

*Parameters*

*offset* The offset in bytes from the beginning of the raw memory area from which to load the integer.

*Throws*

---

<sup>41</sup>Section [14.2.2.16](#)

*OffsetOutOfBoundsException* when the offset is negative or greater than the size of the raw memory area. The role of the [SizeOutOfBoundsExcpetion](#)<sup>42</sup> somewhat overlaps this exception since it is when the offset is within the object but outside the mapped area.

*SizeOutOfBoundsException* when the object is not mapped, or if the integer falls in an invalid address range.

*SecurityException* when this access is not permitted by the security manager.

#### Returns

The integer from raw memory.

Gets the `int` at the given offset in the memory area associated with this object. If the integer is aligned on a "natural" boundary it is always loaded from memory in a single atomic operation. If it is not on a natural boundary it may not be loaded atomically, and the number and order of the load operations is unspecified.

Caching of the memory access is controlled by the memory `type` requested when the `RawMemoryAccess` instance was created. If the memory is not cached, this method guarantees serialized access (that is, the memory access at the memory occurs in the same order as in the program. Multiple writes to the same location may not be coalesced.)

See Section `RawMemoryAccess.map(long,long)`.)

## getInts(long, int[], int, int)

#### Signature

```
public
void getInts(long offset, int[] ints, int low, int number)
```

#### Parameters

*offset* The offset in bytes from the beginning of the raw memory area at which to start loading.

*ints* The array into which the integers read from the raw memory are placed.

*low* The offset which is the starting point in the given array for the loaded items to be placed.

*number* The number of integers to loaded.

#### Throws

*OffsetOutOfBoundsException* when the offset is negative or greater than the size of the raw memory area. The role of the [SizeOutOfBoundsExcpetion](#)<sup>43</sup>

---

<sup>42</sup>Section [14.2.2.16](#)

<sup>43</sup>Section [14.2.2.16](#)

somewhat overlaps this exception since it is when the offset is within the object but outside the mapped area.

*SizeOutOfBoundsException* when the object is not mapped, or if the integers fall in an invalid address range. This is checked at every entry in the array to allow for the possibility that the memory area could be unmapped or remapped. The `ints` array could, therefore, be partially updated if the raw memory is unmapped or remapped mid-method.

*ArrayIndexOutOfBoundsException* when `low` is less than 0 or greater than `bytes.length - 1`, or if `low + number` is greater than or equal to `bytes.length`.

*SecurityException* when this access is not permitted by the security manager.

Gets `number` integers starting at the given offset in the memory area associated with this object and assign them to the int array passed starting at position `low`.

If the integers are aligned on natural boundaries each integer is loaded from memory in a single atomic operation. Groups of integers may be loaded together, but this is unspecified. If the integers are not aligned on natural boundaries they may not be loaded atomically and the number and order of load operations is unspecified.

Caching of the memory access is controlled by the memory `type` requested when the `RawMemoryAccess` instance was created. If the memory is not cached, this method guarantees serialized access (that is, the memory access at the memory occurs in the same order as in the program. Multiple writes to the same location may not be coalesced.)

See Section `RawMemoryAccess.map(long,long)`.

## **getLong(long)**

### *Signature*

```
public
long getLong(long offset)
```

### *Parameters*

*offset* The offset in bytes from the beginning of the raw memory area from which to load the long.

### *Throws*

*OffsetOutOfBoundsException* when the offset is invalid.

*SizeOutOfBoundsException* when the object is not mapped, or if the double falls in an invalid address range.

*SecurityException* when this access is not permitted by the security manager.

### *Returns*

The long from raw memory.

Gets the `long` at the given offset in the memory area associated with this object.

The load is not required to be atomic even it is located on a natural boundary.

Caching of the memory access is controlled by the memory `type` requested when the `RawMemoryAccess` instance was created. If the memory is not cached, this method guarantees serialized access (that is, the memory access at the memory occurs in the same order as in the program. Multiple writes to the same location may not be coalesced.)

### `getLongs(long, long[], int, int)`

#### *Signature*

```
public  
void getLongs(long offset, long[] longs, int low, int number)
```

#### *Parameters*

*offset* The offset in bytes from the beginning of the raw memory area at which to start loading.

*longs* The array into which the loaded items are placed.

*low* The offset which is the starting point in the given array for the loaded items to be placed.

*number* The number of longs to load.

#### *Throws*

*OffsetOutOfBoundsException* when the offset is negative or greater than the size of the raw memory area. The role of the [SizeOutOfBoundsException](#)<sup>44</sup> somewhat overlaps this exception since it is when the offset is within the object but outside the mapped area.

*SizeOutOfBoundsException* when the object is not mapped, or if a long falls in an invalid address range. This is checked at every entry in the array to allow for the possibility that the memory area could be unmapped or remapped. The `longs` array could, therefore, be partially updated if the raw memory is unmapped or remapped mid-method.

*ArrayIndexOutOfBoundsException* when `low` is less than 0 or greater than `bytes.length - 1`, or if `low + number` is greater than or equal to `bytes.length`.

*SecurityException* when this access is not permitted by the security manager.

Gets `number` longs starting at the given offset in the memory area associated with this object and assign them to the long array passed starting at position `low`.

The loads are not required to be atomic even if they are located on natural boundaries.

Caching of the memory access is controlled by the memory `type` requested when the `RawMemoryAccess` instance was created. If the memory is not cached, this

---

<sup>44</sup>Section [14.2.2.16](#)

method guarantees serialized access (that is, the memory access at the memory occurs in the same order as in the program. Multiple writes to the same location may not be coalesced.)

See Section `RawMemoryAccess.map(long,long)`.

## `getMappedAddress`

*Signature*

```
public  
long getMappedAddress()
```

*Throws*

*IllegalStateException* when the raw memory object is not in the mapped state.

*Returns*

The virtual address to which this is mapped (for reference purposes). Same as the base address if virtual memory is not supported.

Gets the virtual memory location at which the memory region is mapped.

**Deprecated since RTSJ version as of RTSJ 2.0 The program should never need this information.**

## `getShort(long)`

*Signature*

```
public  
short getShort(long offset)
```

*Parameters*

*offset* The offset in bytes from the beginning of the raw memory area from which to load the short.

*Throws*

*OffsetOutOfBoundsException* when the offset is negative or greater than the size of the raw memory area. The role of the `SizeOutOfBoundsException`<sup>45</sup> somewhat overlaps this exception since it is when the offset is within the object but outside the mapped area.

*SizeOutOfBoundsException* when the object is not mapped, or if the short falls in an invalid address range.

*SecurityException* when this access is not permitted by the security manager.

---

<sup>45</sup>Section [14.2.2.16](#)



*Returns*

The short loaded from raw memory.

Gets the `short` at the given offset in the memory area associated with this object. If the short is aligned on a natural boundary it is always loaded from memory in a single atomic operation. If it is not on a natural boundary it may not be loaded atomically, and the number and order of the load operations is unspecified.

Caching of the memory access is controlled by the memory `type` requested when the `RawMemoryAccess` instance was created. If the memory is not cached, this method guarantees serialized access (that is, the memory access at the memory occurs in the same order as in the program. Multiple writes to the same location may not be coalesced.)

See Section `RawMemoryAccess.map(long,long).`)

**getShorts(long, short[], int, int)***Signature*

```
public
void getShorts(long offset, short[] shorts, int low, int number)
```

*Parameters*

*offset* The offset in bytes from the beginning of the raw memory area from which to start loading.

*shorts* The array into which the loaded items are placed.

*low* The offset which is the starting point in the given array for the loaded shorts to be placed.

*number* The number of shorts to load.

*Throws*

*OffsetOutOfBoundsException* when the offset is negative or greater than the size of the raw memory area. The role of the [SizeOutOfBoundsException](#)<sup>46</sup> somewhat overlaps this exception since it is when the offset is within the object but outside the mapped area.

*SizeOutOfBoundsException* when the object is not mapped, or if a short falls in an invalid address range. This is checked at every entry in the array to allow for the possibility that the memory area could be unmapped or remapped. The `shorts` array could, therefore, be partially updated if the raw memory is unmapped or remapped mid-method.

*ArrayIndexOutOfBoundsException* when `low` is less than 0 or greater than `bytes.length - 1`, or if `low + number` is greater than or equal to `bytes.length`.

---

<sup>46</sup>Section [14.2.2.16](#)

*SecurityException* when this access is not permitted by the security manager. Gets **number** shorts starting at the given offset in the memory area associated with this object and assign them to the short array passed starting at position **low**.

If the shorts are located on natural boundaries each short is loaded from memory in a single atomic operation. Groups of shorts may be loaded together, but this is unspecified.

If the shorts are not located on natural boundaries the load may not be atomic, and the number and order of load operations is unspecified. Caching of the memory access is controlled by the memory **type** requested when the **RawMemoryAccess** instance was created. If the memory is not cached, this method guarantees serialized access (that is, the memory access at the memory occurs in the same order as in the program. Multiple writes to the same location may not be coalesced.)

See Section `RawMemoryAccess.map(long,long)`.)

## map

### *Signature*

```
public
long map()
```

### *Throws*

*OutOfMemoryError* when there is insufficient free virtual address space to map the object.

### *Returns*

The starting point of the virtual memory range.

Maps the physical memory range into virtual memory. No-op if the system doesn't support virtual memory.

The run time environment is allowed to choose the virtual address where the raw memory area corresponding to this object will be mapped. The attributes of the mapping operation are controlled by the **VMFlags** and **VMAttributes** of the **PhysicalMemoryTypeFilter** objects that matched this object's **type** parameter. (See [PhysicalMemoryTypeFilter.getVMAttributes](#)<sup>47</sup> and [PhysicalMemoryTypeFilter.getVMFlags](#)<sup>48</sup>.)

If the object is already mapped into virtual memory, this method does not change anything.

---

<sup>47</sup>Section [15.3.1.2.1](#)

<sup>48</sup>Section [15.3.1.2.1](#)

## map(long)

### Signature

```
public
long map(long base)
```

### Parameters

*base* The location to map at the virtual memory space.

### Throws

*OutOfMemoryError* when there is insufficient free virtual memory at the specified address.

*IllegalArgumentException* when **base** is not a legal value for a virtual address, or the memory-mapping hardware cannot place the physical memory at the designated address.

### Returns

The starting point of the virtual memory.

Maps the physical memory range into virtual memory at the specified location. No-op if the system doesn't support virtual memory.

The attributes of the mapping operation are controlled by the `VMFlags` and `VMAttributes` of the `PhysicalMemoryTypeFilter` objects that matched this object's `type` parameter. (See [PhysicalMemoryTypeFilter.getVMAttributes](#)<sup>49</sup> and [PhysicalMemoryTypeFilter.getVMFlags](#)<sup>50</sup>).

If the object is already mapped into virtual memory at a different address, this method remaps it to **base**.

If a remap is requested while another schedulable is accessing the raw memory, the map will block until one load or store completes. It can interrupt an array operation between entries.

**Deprecated since RTSJ version as of RTSJ 2.0 No replacement**

## map(long, long)

### Signature

```
public
long map(long base, long size)
```

### Parameters

*base* The location to map at the virtual memory space.

---

<sup>49</sup>Section [15.3.1.2.1](#)

<sup>50</sup>Section [15.3.1.2.1](#)

*size* The size of the block to map in. If the size of the raw memory area is greater than **size**, the object is unchanged but accesses beyond the mapped region will throw [SizeOutOfBoundsException](#)<sup>51</sup>. If the size of the raw memory area is smaller than the mapped region access to the raw memory will behave as if the mapped region matched the raw memory area, but additional virtual address space will be consumed after the end of the raw memory area.

*Throws*

*IllegalArgumentException* when **size** is not greater than zero, **base** is not a legal value for a virtual address, or the memory-mapping hardware cannot place the physical memory at the designated address.

*Returns*

The starting point of the virtual memory.

Maps the physical memory range into virtual memory. No-op if the system doesn't support virtual memory.

The attributes of the mapping operation are controlled by the `VMFlags` and `VMAttributes` of the `PhysicalMemoryTypeFilter` objects that matched this object's `type` parameter. (See [PhysicalMemoryTypeFilter.getVMAttributes](#)<sup>52</sup> and [PhysicalMemoryTypeFilter.getVMFlags](#)<sup>53</sup>).

If the object is already mapped into virtual memory at a different address, this method remaps it to **base**.

If a remap is requested while another schedulable is accessing the raw memory, the map will block until one load or store completes. It can interrupt an array operation between entries.

**Deprecated since RTSJ version as of RTSJ 2.0 No replacement**

## **setByte(long, byte)**

*Signature*

```
public
void setByte(long offset, byte value)
```

*Parameters*

*offset* The offset in bytes from the beginning of the raw memory area to which to write the byte.

*value* The byte to write.

*Throws*

---

<sup>51</sup>Section [14.2.2.16](#)

<sup>52</sup>Section [15.3.1.2.1](#)

<sup>53</sup>Section [15.3.1.2.1](#)

*OffsetOutOfBoundsException* when the offset is negative or greater than the size of the raw memory area. The role of the [SizeOutOfBoundsException](#)<sup>54</sup> somewhat overlaps this exception since it is when the offset is within the object but outside the mapped area.

*SizeOutOfBoundsException* when the object is not mapped, or if the byte falls in an invalid address range.

*SecurityException* when this access is not permitted by the security manager.

Sets the `byte` at the given offset in the memory area associated with this object.

This memory access may involve a load and a store, and it may have unspecified effects on surrounding bytes in the presence of concurrent access.

Caching of the memory access is controlled by the memory `type` requested when the `RawMemoryAccess` instance was created. If the memory is not cached, this method guarantees serialized access (that is, the memory access at the memory occurs in the same order as in the program. Multiple writes to the same location may not be coalesced.)

See Section `RawMemoryAccess.map(long,long)`.)

## **setBytes(long, byte[], int, int)**

### *Signature*

```
public
void setBytes(long offset, byte[] bytes, int low, int number)
```

### *Parameters*

*offset* The offset in bytes from the beginning of the raw memory area to which to start writing.

*bytes* The array from which the items are obtained.

*low* The offset which is the starting point in the given array for the items to be obtained.

*number* The number of items to write.

### *Throws*

*OffsetOutOfBoundsException* when the offset is negative or greater than the size of the raw memory area. The role of the [SizeOutOfBoundsException](#)<sup>55</sup> somewhat overlaps this exception since it is when the offset is within the object but outside the mapped area.

*SizeOutOfBoundsException* when the object is not mapped, or if the a short falls in an invalid address range. This is checked at every entry in the ar-

---

<sup>54</sup>Section [14.2.2.16](#)

<sup>55</sup>Section [14.2.2.16](#)

ray to allow for the possibility that the memory area could be unmapped or remapped. The store of the array into memory could, therefore, be only partially complete if the raw memory is unmapped or remapped mid-method. *ArrayIndexOutOfBoundsException* when `low` is less than 0 or greater than `bytes.length - 1`, or if `low + number` is greater than or equal to `bytes.length`. *SecurityException* when this access is not permitted by the security manager.

Sets `number` bytes starting at the given offset in the memory area associated with this object from the byte array passed starting at position `low`.

This memory access may involve multiple load and a store operations, and it may have unspecified effects on surrounding bytes (even bytes in the range being stored) in the presence of concurrent access.

Caching of the memory access is controlled by the memory `type` requested when the `RawMemoryAccess` instance was created. If the memory is not cached, this method guarantees serialized access (that is, the memory access at the memory occurs in the same order as in the program. Multiple writes to the same location may not be coalesced.)

See Section `RawMemoryAccess.map(long,long)`.

## setInt(long, int)

### Signature

```
public
void setInt(long offset, int value)
```

### Parameters

*offset* The offset in bytes from the beginning of the raw memory area at which to write the integer.

*value* The integer to write.

### Throws

*OffsetOutOfBoundsException* when the offset is negative or greater than the size of the raw memory area. The role of the `SizeOutOfBoundsException`<sup>56</sup> somewhat overlaps this exception since it is when the offset is within the object but outside the mapped area.

*SizeOutOfBoundsException* when the object is not mapped, or if the integer falls in an invalid address range.

*SecurityException* when this access is not permitted by the security manager.

Sets the `int` at the given offset in the memory area associated with this object. On most processor architectures an aligned integer can be stored in an atomic operation,

---

<sup>56</sup>Section [14.2.2.16](#)

but this is not required.

This memory access may involve multiple load and a store operations, and it may have unspecified effects on surrounding bytes (even bytes in the range being stored) in the presence of concurrent access.

Caching of the memory access is controlled by the memory `type` requested when the `RawMemoryAccess` instance was created. If the memory is not cached, this method guarantees serialized access (that is, the memory access at the memory occurs in the same order as in the program. Multiple writes to the same location may not be coalesced.)

See Section `RawMemoryAccess.map(long,long)`.

## `setInts(long, int[], int, int)`

### *Signature*

```
public
void setInts(long offset, int[] ints, int low, int number)
```

### *Parameters*

*offset* The offset in bytes from the beginning of the raw memory area at which to start writing.

*ints* The array from which the items are obtained.

*low* The offset which is the starting point in the given array for the items to be obtained.

*number* The number of items to write.

### *Throws*

*OffsetOutOfBoundsException* when the offset is negative or greater than the size of the raw memory area. The role of the `SizeOutOfBoundsException`<sup>57</sup> somewhat overlaps this exception since it is when the offset is within the object but outside the mapped area.

*SizeOutOfBoundsException* when the object is not mapped, or if an int falls in an invalid address range. This is checked at every entry in the array to allow for the possibility that the memory area could be unmapped or remapped. The store of the array into memory could, therefore, be only partially complete if the raw memory is unmapped or remapped mid-method.

*ArrayIndexOutOfBoundsException* when `low` is less than 0 or greater than `bytes.length - 1`, or if `low + number` is greater than or equal to `bytes.length`.

*SecurityException* when this access is not permitted by the security manager.

---

<sup>57</sup>Section [14.2.2.16](#)

Sets `number` ints starting at the given offset in the memory area associated with this object from the int array passed starting at position `low`. On most processor architectures each aligned integer can be stored in an atomic operation, but this is not required.

This memory access may involve multiple load and a store operations, and it may have unspecified effects on surrounding bytes (even bytes in the range being stored) in the presence of concurrent access.

Caching of the memory access is controlled by the memory `type` requested when the `RawMemoryAccess` instance was created. If the memory is not cached, this method guarantees serialized access (that is, the memory access at the memory occurs in the same order as in the program. Multiple writes to the same location may not be coalesced.)

See Section `RawMemoryAccess.map(long,long)`.

## **setLong(long, long)**

### *Signature*

```
public
void setLong(long offset, long value)
```

### *Parameters*

*offset* The offset in bytes from the beginning of the raw memory area at which to write the long.

*value* The long to write.

### *Throws*

*OffsetOutOfBoundsException* when the offset is negative or greater than the size of the raw memory area. The role of the `SizeOutOfBoundsException`<sup>58</sup> somewhat overlaps this exception since it is when the offset is within the object but outside the mapped area.

*SizeOutOfBoundsException* when the object is not mapped, or if the long falls in an invalid address range.

*SecurityException* when this access is not permitted by the security manager.

Sets the `long` at the given offset in the memory area associated with this object. Even if it is aligned, the long value may not be updated atomically. It is unspecified how many load and store operations will be used or in what order.

This memory access may involve multiple load and a store operations, and it may have unspecified effects on surrounding bytes (even bytes in the range being stored) in the presence of concurrent access.

---

<sup>58</sup>Section [14.2.2.16](#)



Caching of the memory access is controlled by the memory `type` requested when the `RawMemoryAccess` instance was created. If the memory is not cached, this method guarantees serialized access (that is, the memory access at the memory occurs in the same order as in the program. Multiple writes to the same location may not be coalesced.)

See Section `RawMemoryAccess.map(long,long)`.)

## `setLongs(long, long[], int, int)`

### *Signature*

```
public
void setLongs(long offset, long[] longs, int low, int number)
```

### *Parameters*

*offset* The offset in bytes from the beginning of the raw memory area at which to start writing.

*longs* The array from which the items are obtained.

*low* The offset which is the starting point in the given array for the items to be obtained.

*number* The number of items to write.

### *Throws*

*OffsetOutOfBoundsException* when the offset is negative or greater than the size of the raw memory area. The role of the [SizeOutOfBoundsException](#)<sup>59</sup> somewhat overlaps this exception since it is when the offset is within the object but outside the mapped area.

*SizeOutOfBoundsException* when the object is not mapped, or if the a short falls in an invalid address range. This is checked at every entry in the array to allow for the possibility that the memory area could be unmapped or remapped. The store of the array into memory could, therefore, be only partially complete if the raw memory is unmapped or remapped mid-method.

*ArrayIndexOutOfBoundsException* when `low` is less than 0 or greater than `bytes.length - 1`, or if `low + number` is greater than or equal to `bytes.length`.

*SecurityException* when this access is not permitted by the security manager.

Sets `number` longs starting at the given offset in the memory area associated with this object from the long array passed starting at position `low`. Even if they are aligned, the long values may not be updated atomically. It is unspecified how many load and store operations will be used or in what order.

---

<sup>59</sup>Section [14.2.2.16](#)

This memory access may involve multiple load and a store operations, and it may have unspecified effects on surrounding bytes (even bytes in the range being stored) in the presence of concurrent access.

Caching of the memory access is controlled by the memory `type` requested when the `RawMemoryAccess` instance was created. If the memory is not cached, this method guarantees serialized access (that is, the memory access at the memory occurs in the same order as in the program. Multiple writes to the same location may not be coalesced.)

See Section `RawMemoryAccess.map(long,long)`.)

## **setShort(long, short)**

### *Signature*

```
public
void setShort(long offset, short value)
```

### *Parameters*

*offset* The offset in bytes from the beginning of the raw memory area at which to write the short.

*value* The short to write.

### *Throws*

*OffsetOutOfBoundsException* when the offset is negative or greater than the size of the raw memory area. The role of the [SizeOutOfBoundsException](#)<sup>60</sup> somewhat overlaps this exception since it is when the offset is within the object but outside the mapped area.

*SizeOutOfBoundsException* when the object is not mapped, or if the short falls in an invalid address range.

*SecurityException* when this access is not permitted by the security manager.

Sets the `short` at the given offset in the memory area associated with this object.

This memory access may involve a load and a store, and it may have unspecified effects on surrounding shorts in the presence of concurrent access.

Caching of the memory access is controlled by the memory `type` requested when the `RawMemoryAccess` instance was created. If the memory is not cached, this method guarantees serialized access (that is, the memory access at the memory occurs in the same order as in the program. Multiple writes to the same location may not be coalesced.)

See Section `RawMemoryAccess.map(long,long)`.)

---

<sup>60</sup>Section [14.2.2.16](#)

**setShorts(long, short[], int, int)***Signature*

```
public
void setShorts(long offset, short[] shorts, int low, int number)
```

*Parameters*

*offset* The offset in bytes from the beginning of the raw memory area at which to start writing.

*shorts* The array from which the items are obtained.

*low* The offset which is the starting point in the given array for the items to be obtained.

*number* The number of items to write.

*Throws*

*OffsetOutOfBoundsException* when the offset is negative or greater than the size of the raw memory area. The role of the [SizeOutOfBoundsException](#)<sup>61</sup> somewhat overlaps this exception since it is when the offset is within the object but outside the mapped area.

*SizeOutOfBoundsException* when the object is not mapped, or if the a short falls in an invalid address range. This is checked at every entry in the array to allow for the possibility that the memory area could be unmapped or remapped. The store of the array into memory could, therefore, be only partially complete if the raw memory is unmapped or remapped mid-method.

*ArrayIndexOutOfBoundsException* when *low* is less than 0 or greater than `bytes.length - 1`, or if `low + number` is greater than or equal to `bytes.length`.

*SecurityException* when this access is not permitted by the security manager.

Sets **number** shorts starting at the given offset in the memory area associated with this object from the short array passed starting at position **low**.

Each write of a short value may involve a load and a store, and it may have unspecified effects on surrounding shorts in the presence of concurrent access - even on other shorts in the array.

Caching of the memory access is controlled by the memory **type** requested when the **RawMemoryAccess** instance was created. If the memory is not cached, this method guarantees serialized access (that is, the memory access at the memory occurs in the same order as in the program. Multiple writes to the same location may not be coalesced.)

See Section `RawMemoryAccess.map(long,long)`.)

---

<sup>61</sup>Section [14.2.2.16](#)

## unmap

### *Signature*

```
public  
void unmap()
```

Unmap the physical memory range from virtual memory. This changes the raw memory from the mapped state to the unmapped state. If the platform supports virtual memory, this operation frees the virtual addresses used for the raw memory region.

If the object is already in the unmapped state, this method has no effect.

While a raw memory object is unmapped all attempts to set or get values in the raw memory will throw `SizeOutOfBoundsException`<sup>62</sup>.

An unmapped raw memory object can be returned to mapped state with any of the object's `map` methods.

If an `unmap` is requested while another schedulable is accessing the raw memory, the `unmap` will throw an `IllegalStateException`. The `unmap` method can interrupt an array operation between entries.

### 15.3.2.6 RawMemoryFloatAccess

---

#### **Inheritance**

```
java.lang.Object  
  javax.realtime.RawMemoryAccess  
    javax.realtime.RawMemoryFloatAccess
```

This class holds the accessor methods for accessing a raw memory area by float and double types. Implementations are required to implement this class if and only if the underlying Java Virtual Machine supports floating point data types.

See `RawMemoryAccess`<sup>63</sup> for commentary on changes in the preferred use of this class following *RTSJ 2.0*.

By default, the byte addressed by `offset` is the byte at the lowest address of the floating point processor's floating point representation. If the type of memory used for this `RawMemoryFloatAccess` region implements a non-standard floating point format, accessor methods in this class continue to select bytes starting at `offset` from the base address and continuing toward greater addresses. The memory type may control the mapping of these bytes into the primitive data type. The memory

---

<sup>62</sup>Section 14.2.2.16

<sup>63</sup>Section 15.3.2.5

type could even select bytes that are not contiguous. In each case the documentation for the [PhysicalMemoryTypeFilter](#)<sup>64</sup> must document any mapping other than the "normal" one specified above.

All offset values used in this class are measured in bytes.

Atomic loads and stores on raw memory are defined in terms of physical memory. This memory may be accessible to threads outside the JVM and to non-programmed access (e.g., DMA), consequently atomic access must be supported by hardware. This specification is written with the assumption that all suitable hardware platforms support atomic loads for aligned floats. Atomic access beyond the specified minimum may be supported by the implementation.

Storing values into raw memory is more hardware-dependent than loading values. Many processor architectures do not support atomic stores of variables except for aligned stores of the processor's word size.

This class supports unaligned access to data, but it does not require the implementation to make such access atomic. Accesses to data aligned on its natural boundary will be atomic if the processor implements atomic loads and stores of that data size.

Except where noted, accesses to raw memory are not atomic with respect to the memory or with respect to threads. A raw memory area could be updated by another thread, or even unmapped in the middle of a method.

The characteristics of raw-memory access are necessarily platform dependent. This specification provides a minimum requirement for the RTSJ platform, but it also supports a optional system properties that identify a platform's level of support for atomic raw put and get. (See [RawMemoryAccess](#)<sup>65</sup>.) The properties represent a four-dimensional sparse array with boolean values whether that combination of access attributes is atomic. The default value for array entries is false.

Many of the constructors and methods in this class throw [OffsetOutOfBoundsException](#)<sup>66</sup>. This exception means that the value given in the offset parameter is either negative or outside the memory area.

Many of the constructors and methods in this class throw [SizeOutOfBoundsException](#)<sup>67</sup>. This exception means that the value given in the size parameter is either negative, larger than an allowable range, or would cause an accessor method to access an address outside of the memory area.

**Deprecated since RTSJ version as of RTSJ 2.0. Use [RawMemory](#)<sup>68</sup>.**

---

<sup>64</sup>Section [15.3.1.2](#)

<sup>65</sup>Section [15.3.2.5](#)

<sup>66</sup>Section [14.2.2.12](#)

<sup>67</sup>Section [14.2.2.16](#)

<sup>68</sup>Section [12.4.1.16](#)

### 15.3.2.6.1 Constructors

---

## RawMemoryFloatAccess(Object, long)

### Signature

```
public
    RawMemoryFloatAccess(Object type, long size)
```

### Parameters

*type* An instance of `Object` representing the type of memory required (e.g., *dma*, *shared*) - used to define the base address and control the mapping. If the required memory has more than one attribute, `type` may be an array of objects. If `type` is `null` or a reference to an array with no entries, any type of memory is acceptable. Note that `type` values are compared by reference (`==`), not by value (`equals`).

*size* The size of the area in bytes.

### Throws

*SecurityException* when the application doesn't have permissions to access physical memory, the specified range of addresses, or the given type of memory.

*SizeOutOfBounds* when the size is negative or extends into an invalid range of memory.

*UnsupportedPhysicalMemoryException* when the underlying hardware does not support the given type, or if no matching `PhysicalMemoryTypeFilter`<sup>69</sup> has been registered with the `PhysicalMemoryManager`<sup>70</sup>.

*MemoryTypeConflictException* when the specified base does not point to memory that matches the request type, or if `type` specifies incompatible memory attributes.

*OutOfMemoryError* when the requested type of memory exists, but there is not enough of it free to satisfy the request.

Construct an instance of `RawMemoryFloatAccess` with the given parameters, and set the object to the mapped state. If the platform supports virtual memory, map the raw memory into virtual memory.

The run time environment is allowed to choose the virtual address where the raw memory area corresponding to this object will be mapped. The attributes of the mapping operation are controlled by the `vMFlags` and `vMAttributes` of the

---

<sup>69</sup>Section 15.3.1.2

<sup>70</sup>Section 15.3.2.3

PhysicalMemoryTypeFilter objects that matched this object's type parameter. (See [PhysicalMemoryTypeFilter.getVMAttributes](#)<sup>71</sup> and [PhysicalMemoryTypeFilter.getVMFlags](#)<sup>72</sup>).

**Deprecated since RTSJ version as of RTSJ 2.0.** Use [RawMemoryFactory.createRawFloat\(RawMemoryRegion, long, int, int\)](#)<sup>73</sup> or [RawMemoryFactory.createRawDouble\(RawMemoryRegion, long, int, int\)](#)<sup>74</sup>.

## RawMemoryFloatAccess(Object, long, long)

### Signature

```
public
    RawMemoryFloatAccess(Object type, long base, long size)
```

### Parameters

*type* An instance of `Object` representing the type of memory required (e.g., *dma*, *shared*) - used to define the base address and control the mapping. If the required memory has more than one attribute, `type` may be an array of objects. If `type` is `null` or a reference to an array with no entries, any type of memory is acceptable. Note that `type` values are compared by reference (`==`), not by value (`equals`).

*base* The physical memory address of the region.

*size* The size of the area in bytes.

### Throws

*SecurityException* when the application doesn't have permissions to access physical memory, the specified range of addresses, or the given type of memory.

*OffsetOutOfBoundsException* when the address is invalid.

*SizeOutOfBoundsException* when the size is negative or extends into an invalid range of memory.

*UnsupportedPhysicalMemoryException* when the underlying hardware does not support the given type, or if no matching [PhysicalMemoryTypeFilter](#)<sup>75</sup> has been registered with the [PhysicalMemoryManager](#)<sup>76</sup>.

---

<sup>71</sup>Section [15.3.1.2.1](#)

<sup>72</sup>Section [15.3.1.2.1](#)

<sup>73</sup>Section [12.4.3.5.2](#)

<sup>74</sup>Section [12.4.3.5.2](#)

<sup>75</sup>Section [15.3.1.2](#)

<sup>76</sup>Section [15.3.2.3](#)

*MemoryTypeConflictException* when the specified base does not point to memory that matches the request type, or if `type` specifies incompatible memory attributes.

*OutOfMemoryError* when the requested type of memory exists, but there is not

Construct an instance of `RawMemoryFloatAccess` with the given parameters, and set the object to the mapped state. If the platform supports virtual memory, map the raw memory into virtual memory.

The run time environment is allowed to choose the virtual address where the raw memory area corresponding to this object will be mapped. The attributes of the mapping operation are controlled by the `vMFlags` and `vMAttributes` of the `PhysicalMemoryTypeFilter` objects that matched this object's `type` parameter. (See `PhysicalMemoryTypeFilter.getVMAttributes`<sup>77</sup> and `PhysicalMemoryTypeFilter.getVMFlags`<sup>78</sup>).

**Deprecated since RTSJ version as of RTSJ 2.0.** Use `RawMemoryFactory.createRawFloat(long, int, int)`<sup>79</sup> or `RawMemoryFactory.createRawDouble(RawMemoryRegion, long, int, int)`<sup>80</sup>.

## RawMemoryFloatAccess(PhysicalMemoryName, long)

### *Signature*

```
RawMemoryFloatAccess(PhysicalMemoryName type, long size)
```

```
throws SecurityException, OffsetOutOfBoundsException,
SizeOutOfBoundsException, UnsupportedPhysicalMemoryException,
MemoryTypeConflictException
```

### *Parameters*

*type*

*size*

### *Throws*

*SecurityException*

*OffsetOutOfBoundsException*

---

<sup>77</sup>Section 15.3.1.2.1

<sup>78</sup>Section 15.3.1.2.1

<sup>79</sup>Section 12.4.3.5.2

<sup>80</sup>Section 12.4.3.5.2



*SizeOutOfBoundsException*  
*UnsupportedPhysicalMemoryException*  
*MemoryTypeConflictException*

Available since RTSJ version RTSJ 2.0

### 15.3.2.6.2 Methods

---

## getDouble(long)

### Signature

```
public  
double getDouble(long offset)
```

### Parameters

*offset* The offset in bytes from the beginning of the raw memory area from which to load the long.

### Throws

*OffsetOutOfBoundsException* when the offset is invalid.

*SizeOutOfBoundsException* when the object is not mapped, or if the double falls in an invalid address range.

*SecurityException* when this access is not permitted by the security manager.

### Returns

The double from raw memory.

Gets the double at the given offset in the memory area associated with this object.

The load is not required to be atomic even it is located on a natural boundary.

Caching of the memory access is controlled by the memory **type** requested when the **RawMemoryAccess** instance was created. If the memory is not cached, this method guarantees serialized access (that is, the memory access at the memory occurs in the same order as in the program. Multiple writes to the same location may not be coalesced.)

## getDoubles(long, double[], int, int)

### Signature

```
public  
void getDoubles(long offset, double[] doubles, int low, int  
number)
```

*Parameters*

*offset* The offset in bytes from the beginning of the raw memory area at which to start loading.

*doubles* The array into which the loaded items are placed.

*low* The offset which is the starting point in the given array for the loaded items to be placed.

*number* The number of doubles to load.

*Throws*

*OffsetOutOfBoundsException* when the offset is negative or greater than the size of the raw memory area. The role of the `SizeOutOfBoundsException` somewhat overlaps this exception since it is when the offset is within the object but outside the mapped area. (See `RawMemoryAccess.map(long, long)`<sup>81</sup>).

*SizeOutOfBoundsException* when the object is not mapped, or if a double falls in an invalid address range. This is checked at every entry in the array to allow for the possibility that the memory area could be unmapped or remapped. The `doubles` array could, therefore, be partially updated if the raw memory is unmapped or remapped mid-method.

*ArrayIndexOutOfBoundsException* when `low` is less than 0 or greater than `bytes.length - 1`, or if `low + number` is greater than or equal to `bytes.length`.

*SecurityException* when this access is not permitted by the security manager.

Gets `number` doubles starting at the given offset in the memory area associated with this object and assign them to the double array passed starting at position `low`.

The loads are not required to be atomic even if they are located on natural boundaries.

Caching of the memory access is controlled by the memory `type` requested when the `RawMemoryAccess` instance was created. If the memory is not cached, this method guarantees serialized access (that is, the memory access at the memory occurs in the same order as in the program. Multiple writes to the same location may not be coalesced.)

**getFloat(long)***Signature*

```
public
float getFloat(long offset)
```

*Parameters*

*offset* The offset in bytes from the beginning of the raw memory area from which to load the float.

*Throws*


---

<sup>81</sup>Section 15.3.2.5.2

*OffsetOutOfBoundsException* when the offset is negative or greater than the size of the raw memory area. The role of the `SizeOutOfBoundsException` somewhat overlaps this exception since it is when the offset is within the object but outside the mapped area. (See `RawMemoryAccess.map(long, long)`<sup>82</sup>).

*SizeOutOfBoundsException* when the object is not mapped, or if the float falls in an invalid address range.

*SecurityException* when this access is not permitted by the security manager.

#### Returns

The float from raw memory.

Gets the `float` at the given offset in the memory area associated with this object. If the float is aligned on a "natural" boundary it is always loaded from memory in a single atomic operation. If it is not on a natural boundary it may not be loaded atomically, and the number and order of the load operations is unspecified.

Caching of the memory access is controlled by the memory `type` requested when the `RawMemoryAccess` instance was created. If the memory is not cached, this method guarantees serialized access (that is, the memory access at the memory occurs in the same order as in the program. Multiple writes to the same location may not be coalesced.)

## **getFloats(long, float[], int, int)**

#### Signature

```
public
void getFloats(long offset, float[] floats, int low, int number)
```

#### Parameters

*offset* The offset in bytes from the beginning of the raw memory area at which to start loading.

*floats* The array into which the floats loaded from the raw memory are placed.

*low* The offset which is the starting point in the given array for the loaded items to be placed.

*number* The number of floats to loaded.

#### Throws

*OffsetOutOfBoundsException* when the offset is negative or greater than the size of the raw memory area. The role of the `SizeOutOfBoundsException` somewhat overlaps this exception since it is when the offset is within the object but outside the mapped area. (See `RawMemoryAccess.map(long, long)`<sup>83</sup>).

*SizeOutOfBoundsException* when the object is not mapped, or if a float falls in an invalid address range. This is checked at every entry in the array to allow

---

<sup>82</sup>Section [15.3.2.5.2](#)

<sup>83</sup>Section [15.3.2.5.2](#)

for the possibility that the memory area could be unmapped or remapped. The `floats` array could, therefore, be partially updated if the raw memory is unmapped or remapped mid-method.

*ArrayIndexOutOfBoundsException* when `low` is less than 0 or greater than `bytes.length - 1`, or if `low + number` is greater than or equal to `bytes.length`.

*SecurityException* when this access is not permitted by the security manager.

Gets `number` floats starting at the given offset in the memory area associated with this object and assign them to the int array passed starting at position `low`.

If the floats are aligned on natural boundaries each float is loaded from memory in a single atomic operation. Groups of floats may be loaded together, but this is unspecified.

If the floats are not aligned on natural boundaries they may not be loaded atomically and the number and order of load operations is unspecified.

Caching of the memory access is controlled by the memory `type` requested when the `RawMemoryAccess` instance was created. If the memory is not cached, this method guarantees serialized access (that is, the memory access at the memory occurs in the same order as in the program. Multiple writes to the same location may not be coalesced.)

## setDouble(long, double)

### Signature

```
public
void setDouble(long offset, double value)
```

### Parameters

*offset* The offset in bytes from the beginning of the raw memory area at which to write the double.

*value* The double to write.

### Throws

*OffsetOutOfBoundsException* when the offset is negative or greater than the size of the raw memory area. The role of the `SizeOutOfBoundsException` somewhat overlaps this exception since it is when the offset is within the object but outside the mapped area. (See `RawMemoryAccess.map(long, long)`<sup>84</sup>).

*SizeOutOfBoundsException* when the object is not mapped, or if the double falls in an invalid address range.

*SecurityException* when this access is not permitted by the security manager.

Sets the `double` at the given offset in the memory area associated with this object. Even if it is aligned, the double value may not be updated atomically. It is unspecified how many load and store operations will be used or in what order.

---

<sup>84</sup>Section 15.3.2.5.2

Caching of the memory access is controlled by the memory `type` requested when the `RawMemoryAccess` instance was created. If the memory is not cached, this method guarantees serialized access (that is, the memory access at the memory occurs in the same order as in the program. Multiple writes to the same location may not be coalesced.)

## `setDoubles(long, double[], int, int)`

### *Signature*

```
public
void setDoubles(long offset, double[] doubles, int low, int
number)
```

### *Parameters*

*offset* The offset in bytes from the beginning of the raw memory area at which to start writing.

*doubles* The array from which the items are obtained.

*low* The offset which is the starting point in the given array for the items to be obtained.

*number* The number of items to write.

### *Throws*

*OffsetOutOfBoundsException* when the offset is negative or greater than the size of the raw memory area. The role of the `SizeOutOfBoundsException` somewhat overlaps this exception since it is when the offset is within the object but outside the mapped area. (See `RawMemoryAccess.map(long, long)`<sup>85</sup>).

*SizeOutOfBoundsException* when the object is not mapped, or if the a short falls in an invalid address range. This is checked at every entry in the array to allow for the possibility that the memory area could be unmapped or remapped. The `doubles` array could, therefore, be partially updated if the raw memory is unmapped or remapped mid-method.

*ArrayIndexOutOfBoundsException* when `low` is less than 0 or greater than `bytes.length - 1`, or if `low + number` is greater than or equal to `bytes.length`.

*SecurityException* when this access is not permitted by the security manager.

Sets `number` `doubles` starting at the given offset in the memory area associated with this object from the double array passed starting at position `low`. Even if they are aligned, the double values may not be updated atomically. It is unspecified how many load and store operations will be used or in what order.

Caching of the memory access is controlled by the memory `type` requested when the `RawMemoryAccess` instance was created. If the memory is not cached, this method guarantees serialized access (that is, the memory access at the memory

---

<sup>85</sup>Section 15.3.2.5.2

occurs in the same order as in the program. Multiple writes to the same location may not be coalesced.)

## setFloat(long, float)

### Signature

```
public
void setFloat(long offset, float value)
```

### Parameters

*offset* The offset in bytes from the beginning of the raw memory area at which to write the integer.

*value* The float to write.

### Throws

*OffsetOutOfBoundsException* when the offset is negative or greater than the size of the raw memory area. The role of the `SizeOutOfBoundsException` somewhat overlaps this exception since it is when the offset is within the object but outside the mapped area. (See `RawMemoryAccess.map(long, long)`<sup>86</sup>).

*SizeOutOfBoundsException* when the object is not mapped, or if the float falls in an invalid address range.

*SecurityException* when this access is not permitted by the security manager.

Sets the `float` at the given offset in the memory area associated with this object. On most processor architectures an aligned float can be stored in an atomic operation, but this is not required.

Caching of the memory access is controlled by the memory `type` requested when the `RawMemoryAccess` instance was created. If the memory is not cached, this method guarantees serialized access (that is, the memory access at the memory occurs in the same order as in the program. Multiple writes to the same location may not be coalesced.)

## setFloats(long, float[], int, int)

### Signature

```
public
void setFloats(long offset, float[] floats, int low, int number)
```

### Parameters

*offset* The offset in bytes from the beginning of the raw memory area at which to start writing.

*floats* The array from which the items are obtained.

---

<sup>86</sup>Section 15.3.2.5.2

*low* The offset which is the starting point in the given array for the items to be obtained.

*number* The number of floats to write.

*Throws*

*OffsetOutOfBoundsException* when the offset is negative or greater than the size of the raw memory area. The role of the `SizeOutOfBoundsException` somewhat overlaps this exception since it is when the offset is within the object but outside the mapped area. (See `RawMemoryAccess.map(long, long)`<sup>87</sup>).

*SizeOutOfBoundsException* when the object is not mapped, or if the float falls in an invalid address range. This is checked at every entry in the array to allow for the possibility that the memory area could be unmapped or remapped. The store of the array into memory could, therefore, be only partially complete if the raw memory is unmapped or remapped mid-method.

*ArrayIndexOutOfBoundsException* when `low` is less than 0 or greater than `bytes.length - 1`, or if `low + number` is greater than or equal to `bytes.length`.

*SecurityException* when this access is not permitted by the security manager.

Sets `number` floats starting at the given offset in the memory area associated with this object from the float array passed starting at position `low`. On most processor architectures each aligned float can be stored in an atomic operation, but this is not required. Caching of the memory access is controlled by the memory `type` requested when the `RawMemoryAccess` instance was created. If the memory is not cached, this method guarantees serialized access (that is, the memory access at the memory occurs in the same order as in the program. Multiple writes to the same location may not be coalesced.)

### 15.3.2.7 VTMemory

---

#### Inheritance

```

java.lang.Object
  javax.realtime.MemoryArea
    javax.realtime.ScopedMemory
      javax.realtime.VTMemory

```

`VTMemory` is similar to `LTMemory`<sup>88</sup> except that the execution time of an allocation from a `VTMemory` area need not complete in linear time.

Methods from `VTMemory` should be overridden only by methods that use `super`.

#### Deprecated since RTSJ version as of RTSJ 2.0

---

<sup>87</sup>Section 15.3.2.5.2

<sup>88</sup>Section 11.4.3.5

### 15.3.2.7.1 Constructors

---

#### VTMemory(long, long)

##### Signature

```
public
    VTMemory(long initial, long maximum)
```

##### Parameters

*initial* The size in bytes of the memory to initially allocate for this area.

*maximum* The maximum size in bytes this memory area to which the size may grow.

##### Throws

*IllegalArgumentException* when *initial* is greater than *maximum* or if *initial* or *maximum* is less than zero.

*OutOfMemoryError* when there is insufficient memory for the *VTMemory* object or for the backing memory.

Creates a *VTMemory* with the given parameters.

#### VTMemory(long, long, Runnable)

##### Signature

```
public
    VTMemory(long initial, long maximum, Runnable logic)
```

##### Parameters

*initial* The size in bytes of the memory to initially allocate for this area.

*maximum* The maximum size in bytes this memory area to which the size may grow.

*logic* An instance of *Runnable* whose *run()* method will use *this* as its initial memory area. If *logic* is null, this constructor is equivalent to `VTMemory(long initial, long maximum)`<sup>89</sup>.

---

<sup>89</sup>Section 15.3.2.7.1



*Throws*

*IllegalArgumentException* when `initial` is greater than `maximum`, or if `initial` or `maximum` is less than zero.

*OutOfMemoryError* when there is insufficient memory for the `VTMemory` object or for the backing memory.

*IllegalAssignmentError* when storing logic in `this` would violate the assignment rules.

Creates a `VTMemory` with the given parameters.

**VTMemory(SizeEstimator, SizeEstimator)***Signature*

```
public
    VTMemory(SizeEstimator initial, SizeEstimator maximum)
```

*Parameters*

*initial* The size in bytes of the memory to initially allocate for this area.

*maximum* The maximum size in bytes this memory area to which the size may grow estimated by an instance of `SizeEstimator`<sup>90</sup>.

*Throws*

*IllegalArgumentException* when `initial` is null, `maximum` is null, `initial.getEstimate()` is greater than `maximum.getEstimate()`, or if `initial.getEstimate()` is less than zero.

*OutOfMemoryError* when there is insufficient memory for the `VTMemory` object or for the backing memory.

Creates a `VTMemory` with the given parameters.

**VTMemory(SizeEstimator, SizeEstimator, Runnable)***Signature*

```
public
    VTMemory(SizeEstimator initial, SizeEstimator maximum, Runnable logic)
```

*Parameters*

*initial* The size in bytes of the memory to initially allocate for this area.

---

<sup>90</sup>Section [11.4.3.13](#)

*maximum* The maximum size in bytes this memory area to which the size may grow estimated by an instance of `SizeEstimator`<sup>91</sup>.

*logic* An instance of `Runnable` whose `run()` method will use `this` as its initial memory area. If `logic` is `null`, this constructor is equivalent to `VTMemory(SizeEstimator initial, SizeEstimator maximum)`<sup>92</sup>.

*Throws*

*IllegalArgumentException* when `initial` is `null`, `maximum` is `null`, `initial.getEstimate()` is greater than `maximum.getEstimate()`, or if `initial.getEstimate()` is less than zero.

*OutOfMemoryError* when there is insufficient memory for the `VTMemory` object or for the backing memory.

*IllegalAssignmentError* when storing `logic` in `this` would violate the assignment rules.

Creates a `VTMemory` with the given parameters.

## **VTMemory(long)**

*Signature*

```
public
    VTMemory(long size)
```

*Parameters*

*size* The size in bytes of the memory to allocate for this area. This memory must be committed before the completion of the constructor.

*Throws*

*IllegalArgumentException* when `size` is less than zero.

*OutOfMemoryError* when there is insufficient memory for the `VTMemory` object or for the backing memory.

Create an `VTMemory` of the given size. This constructor is equivalent to `VTMemory(size, size)`

**Available since RTSJ version RTSJ 1.0.1**

## **VTMemory(long, Runnable)**

*Signature*

---

<sup>91</sup>Section 11.4.3.13

<sup>92</sup>Section 15.3.2.7.1

```
public
    VMemory(long size, Runnable logic)
```

*Parameters*

*size* The size in bytes of the memory to allocate for this area. This memory must be committed before the completion of the constructor.

*logic* The `run()` of the given `Runnable` will be executed using `this` as its initial memory area. If `logic` is `null`, this constructor is equivalent to `VTMemory(long size)`<sup>93</sup>.

*Throws*

*IllegalArgumentException* when `size` is less than zero.

*OutOfMemoryError* when there is insufficient memory for the `VMemory` object or for the backing memory.

*IllegalAssignmentError* when storing `logic` in `this` would violate the assignment rules.

Create an `VMemory` of the given size. This constructor is equivalent to `VMemory(size, size, logic)`.

Available since RTSJ version RTSJ 1.0.1

**VMemory(SizeEstimator)***Signature*

```
public
    VMemory(SizeEstimator size)
```

*Parameters*

*size* An instance of `SizeEstimator`<sup>94</sup> used to give an estimate of the initial size. This memory must be committed before the completion of the constructor.

*Throws*

*IllegalArgumentException* when `size` is `null`, or `size.getEstimate()` is less than zero.

*OutOfMemoryError* when there is insufficient memory for the `VMemory` object or for the backing memory.

---

<sup>93</sup>Section 15.3.2.7.1

<sup>94</sup>Section 11.4.3.13

Create an `VMemory` of the given size. This constructor is equivalent to `VMemory(size, size)`.

Available since RTSJ version RTSJ 1.0.1

## VMemory(SizeEstimator, Runnable)

### Signature

```
public
    VMemory(SizeEstimator size, Runnable logic)
```

### Parameters

*size* An instance of `SizeEstimator`<sup>95</sup> used to give an estimate of the initial size. This memory must be committed before the completion of the constructor.

*logic* The `run()` of the given `Runnable` will be executed using `this` as its initial memory area. If `logic` is `null`, this constructor is equivalent to `VMemory(SizeEstimator initial)`<sup>96</sup>.

### Throws

*IllegalArgumentException* when `size` is `null`, or `size.getEstimate()` is less than zero.

*OutOfMemoryError* when there is insufficient memory for the `VMemory` object or for the backing memory.

*IllegalAssignmentError* when storing `logic` in `this` would violate the assignment rules.

Create an `VMemory` of the given size.

Available since RTSJ version RTSJ 1.0.1

### 15.3.2.7.2 Methods

---

## toString

### Signature

---

<sup>95</sup>Section 11.4.3.13

<sup>96</sup>Section 15.3.2.7.1

```
public
  java.lang.String toString()
```

#### Returns

A string representing the value of `this`.  
Create a string representing this object. The string is of the form  
(VMemory) Scoped memory # num  
where num uniquely identifies the VMemory area.

### 15.3.2.8 VTPhysicalMemory

---

#### Inheritance

```
java.lang.Object
  javax.realtime.MemoryArea
    javax.realtime.ScopedMemory
      javax.realtime.VTPhysicalMemory
```

An instance of `VTPhysicalMemory` allows objects to be allocated from a range of physical memory with particular attributes, determined by their memory type. This memory area has the same semantics as `ScopedMemory`<sup>97</sup> memory areas, and the same performance restrictions as `VMemory`.

No provision is made for sharing object in `VTPhysicalMemory` with entities outside the JVM that creates them, and, while the memory backing an instance of `VTPhysicalMemory` could be shared by multiple JVMs, the class does not support such sharing.

Methods from `VTPhysicalMemory` should be overridden only by methods that use `super`.

[See Section MemoryArea\)](#)

[See Section ScopedMemory\)](#)

[See Section VMemory\)](#)

[See Section LMemory\)](#)

[See Section LTPhysicalMemory\)](#)

[See Section ImmortalPhysicalMemory\)](#)

---

<sup>97</sup>Section 11.4.3.12

See [Section RealtimeThread](#))

See [Section NoHeapRealtimeThread](#))

Deprecated since RTSJ version as of RTSJ 2.0

### 15.3.2.8.1 Constructors

---

## VTPhysicalMemory(Object, long)

*Signature*

```
public
    VTPhysicalMemory(Object type, long size)
```

*Parameters*

*type* An instance of `Object` representing the type of memory required (e.g., *dma*, *shared*) - used to define the base address and control the mapping. If the required memory has more than one attribute, `type` may be an array of objects. If `type` is `null` or a reference to an array with no entries, any type of memory is acceptable. Note that `type` values are compared by reference (`==`), not by value (`equals`).

*size* The size of the area in bytes.

*Throws*

*SecurityException* when the application doesn't have permissions to access physical memory or the given range of memory.

*SizeOutOfBoundsException* when the implementation detects that `size` extends beyond physically addressable memory.

*UnsupportedPhysicalMemoryException* when the underlying hardware does not support the given type, or if no matching [PhysicalMemoryTypeFilter](#)<sup>98</sup> has been registered with the [PhysicalMemoryManager](#)<sup>99</sup>.

*MemoryTypeConflictException* when the specified base does not point to memory that matches the requested type, or if `type` specifies incompatible memory attributes.

*IllegalArgumentException* when `size` is less than zero.

---

<sup>98</sup>Section [15.3.1.2](#)

<sup>99</sup>Section [15.3.2.3](#)

Create an instance of `VTPhysicalMemory` with the given parameters.

[See Section PhysicalMemoryManager](#))

## VTPhysicalMemory(Object, long, long)

### Signature

```
public  
    VTPhysicalMemory(Object type, long base, long size)
```

### Parameters

*type* An instance of `Object` representing the type of memory required (e.g., *dma*, *shared*) - used to define the base address and control the mapping. If the required memory has more than one attribute, `type` may be an array of objects. If `type` is `null` or a reference to an array with no entries, any type of memory is acceptable. Note that `type` values are compared by reference (`==`), not by value (`equals`).

*base* The physical memory address of the area.

*size* The size of the area in bytes.

### Throws

*SecurityException* when the application doesn't have permissions to access physical memory or the given range of memory.

*SizeOutOfBoundsException* when the implementation detects that `size` extends beyond physically addressable memory.

*OffsetOutOfBoundsException* when the `base` address is invalid.

*UnsupportedPhysicalMemoryException* when the underlying hardware does not support the given type, or if no matching [PhysicalMemoryTypeFilter](#)<sup>100</sup> has been registered with the [PhysicalMemoryManager](#)<sup>101</sup>.

*MemoryTypeConflictException* when the specified base does not point to memory that matches the requested type, or if `type` specifies incompatible memory attributes.

*MemoryInUseException* when the specified memory is already in use.

Create an instance of `VTPhysicalMemory` with the given parameters.

[See Section PhysicalMemoryManager](#))

---

<sup>100</sup>Section [15.3.1.2](#)

<sup>101</sup>Section [15.3.2.3](#)

## VTPhysicalMemory(Object, SizeEstimator)

### Signature

```
public
    VTPhysicalMemory(Object type, SizeEstimator size)
```

### Parameters

*type* An instance of `Object` representing the type of memory required (e.g., *dma*, *shared*) - used to define the base address and control the mapping. If the required memory has more than one attribute, `type` may be an array of objects. If `type` is `null` or a reference to an array with no entries, any type of memory is acceptable. Note that `type` values are compared by reference (`==`), not by value (`equals`).

*size* A size estimator for this area.

### Throws

*SecurityException* when the application doesn't have permissions to access physical memory or the given range of memory.

*SizeOutOfBoundsException* when the implementation detects that the size estimate from `size` extends beyond physically addressable memory.

*UnsupportedPhysicalMemoryException* when the underlying hardware does not support the given type, or if no matching `PhysicalMemoryTypeFilter`<sup>102</sup> has been registered with the `PhysicalMemoryManager`<sup>103</sup>.

*MemoryTypeConflictException* when the specified base does not point to memory that matches the requested type, or if `type` specifies incompatible memory attributes.

*IllegalArgumentException* when `size` is `null`, or `size.getEstimate()` is negative.

Create an instance of `VTPhysicalMemory` with the given parameters.

See [Section PhysicalMemoryManager](#))

## VTPhysicalMemory(Object, long, SizeEstimator)

### Signature

```
public
```

---

<sup>102</sup>Section [15.3.1.2](#)

<sup>103</sup>Section [15.3.2.3](#)



```
VTPhysicalMemory(Object type, long base, SizeEstimator size)
```

#### Parameters

*type* An instance of `Object` representing the type of memory required (e.g., *dma*, *shared*) - used to define the base address and control the mapping. If the required memory has more than one attribute, `type` may be an array of objects. If `type` is `null` or a reference to an array with no entries, any type of memory is acceptable. Note that `type` values are compared by reference (`==`), not by value (`equals`).

*base* The physical memory address of the area.

*size* A size estimator for this memory area.

#### Throws

*SecurityException* when the application doesn't have permissions to access physical memory or the given range of memory.

*SizeOutOfBoundsException* when the implementation detects that the size estimate from `size` extends beyond physically addressable memory.

*OffsetOutOfBoundsException* when the `base` address is invalid.

*UnsupportedPhysicalMemoryException* when the underlying hardware does not support the given type, or if no matching [PhysicalMemoryTypeFilter](#)<sup>104</sup> has been registered with the [PhysicalMemoryManager](#)<sup>105</sup>.

*MemoryTypeConflictException* when the specified base does not point to memory that matches the requested type, or if `type` specifies incompatible memory attributes.

*MemoryInUseException* when the specified memory is already in use.

*IllegalArgumentException* when `size` is `null`, or `size.getEstimate()` is negative.

Create an instance of `VTPhysicalMemory` with the given parameters.

[See Section PhysicalMemoryManager](#))

## VTPhysicalMemory(Object, long, Runnable)

#### Signature

```
public
    VTPhysicalMemory(Object type, long size, Runnable logic)
```

---

<sup>104</sup>Section [15.3.1.2](#)

<sup>105</sup>Section [15.3.2.3](#)

*Parameters*

*type* An instance of `Object` representing the type of memory required (e.g., *dma*, *shared*) - used to define the base address and control the mapping. If the required memory has more than one attribute, `type` may be an array of objects. If `type` is `null` or a reference to an array with no entries, any type of memory is acceptable. Note that `type` values are compared by reference (`==`), not by value (`equals`).

*size* The size of the area in bytes.

*logic* The `run()` method of this object will be called whenever `MemoryArea.enter()`<sup>106</sup> is called. If `logic` is `null`, `logic` must be supplied when the memory area is entered.

*Throws*

*SecurityException* when the application doesn't have permissions to access physical memory or the given range of memory.

*SizeOutOfBoundsExpection* when the implementation detects that `size` extends beyond physically addressable memory.

*UnsupportedPhysicalMemoryException* when the underlying hardware does not support the given type, or if no matching `PhysicalMemoryTypeFilter`<sup>107</sup> has been registered with the `PhysicalMemoryManager`<sup>108</sup>.

*MemoryTypeConflictException* when the specified base does not point to memory that matches the requested type, or if `type` specifies incompatible memory attributes.

*IllegalAssignmentError* when storing `logic` in `this` would violate the assignment rules.

Create an instance of `VTPhysicalMemory` with the given parameters.

See [Section PhysicalMemoryManager](#))

**VTPhysicalMemory(Object, long, long, Runnable)***Signature*

```
public
    VTPhysicalMemory(Object type, long base, long size, Runnable logic)
```

*Parameters*


---

<sup>106</sup>Section [11.4.3.7.2](#)

<sup>107</sup>Section [15.3.1.2](#)

<sup>108</sup>Section [15.3.2.3](#)

*type* An instance of `Object` representing the type of memory required (e.g., *dma*, *shared*) - used to define the base address and control the mapping. If the required memory has more than one attribute, `type` may be an array of objects. If `type` is `null` or a reference to an array with no entries, any type of memory is acceptable. Note that `type` values are compared by reference (`==`), not by value (`equals`).

*base* The physical memory address of the area.

*size* The size of the area in bytes.

*logic* The `run()` method of this object will be called whenever `MemoryArea.enter()`<sup>109</sup> is called. If `logic` is `null`, `logic` must be supplied when the memory area is entered.

#### Throws

*SizeOutOfBoundsException* when the implementation detects that `size` extends beyond physically addressable memory.

*SecurityException* when the application doesn't have permissions to access physical memory or the given range of memory.

*OffsetOutOfBoundsException* when the `base` address is invalid.

*UnsupportedPhysicalMemoryException* when the underlying hardware does not support the given type, or if no matching `PhysicalMemoryTypeFilter`<sup>110</sup> has been registered with the `PhysicalMemoryManager`<sup>111</sup>.

*MemoryTypeConflictException* when the specified base does not point to memory that matches the requested type, or if `type` specifies incompatible memory attributes.

*MemoryInUseException* when the specified memory is already in use.

*IllegalAssignmentError* when storing `logic` in `this` would violate the assignment rules.

Create an instance of `VTPhysicalMemory` with the given parameters.

[See Section PhysicalMemoryManager](#))

## VTPhysicalMemory(Object, SizeEstimator, Runnable)

### Signature

```
public
    VTPhysicalMemory(Object type, SizeEstimator size, Runnable logic)
```

---

<sup>109</sup>Section [11.4.3.7.2](#)

<sup>110</sup>Section [15.3.1.2](#)

<sup>111</sup>Section [15.3.2.3](#)

*Parameters*

*type* An instance of `Object` representing the type of memory required (e.g., *dma*, *shared*) - used to define the base address and control the mapping. If the required memory has more than one attribute, `type` may be an array of objects. If `type` is `null` or a reference to an array with no entries, any type of memory is acceptable. Note that `type` values are compared by reference (`==`), not by value (`equals`).

*size* A size estimator for this area.

*logic* The `run()` method of this object will be called whenever `MemoryArea.enter()`<sup>112</sup> is called. If `logic` is `null`, `logic` must be supplied when the memory area is entered.

*Throws*

*SecurityException* when the application doesn't have permissions to access physical memory or the given range of memory.

*SizeOutOfBoundsExcepion* when the implementation detects that the size estimate from `size` extends beyond physically addressable memory.

*UnsupportedPhysicalMemoryException* when the underlying hardware does not support the given type, or if no matching `PhysicalMemoryTypeFilter`<sup>113</sup> has been registered with the `PhysicalMemoryManager`<sup>114</sup>.

*MemoryTypeConflictException* when the specified base does not point to memory that matches the requested type, or if `type` specifies incompatible memory attributes.

*IllegalArgumentExcepion* when `size` is `null`, or `size.getEstimate()` is negative.

*IllegalAssignmentError* when storing `logic` in `this` would violate the assignment rules.

Create an instance of `VTPhysicalMemory` with the given parameters.

See [Section PhysicalMemoryManager](#)

## VTPhysicalMemory(Object, long, SizeEstimator, Runnable)

*Signature*

```
public
    VTPhysicalMemory(Object type, long base, SizeEstimator size, Runnable l
```

---

<sup>112</sup>Section [11.4.3.7.2](#)

<sup>113</sup>Section [15.3.1.2](#)

<sup>114</sup>Section [15.3.2.3](#)

*Parameters*

*type* An instance of `Object` representing the type of memory required (e.g., *dma*, *shared*) - used to define the base address and control the mapping. If the required memory has more than one attribute, *type* may be an array of objects. If *type* is `null` or a reference to an array with no entries, any type of memory is acceptable. Note that *type* values are compared by reference (`==`), not by value (`equals`).

*base* The physical memory address of the area.

*size* A size estimator for this memory area.

*logic* The `run()` method of this object will be called whenever `MemoryArea.enter()`<sup>115</sup> is called. If *logic* is `null`, *logic* must be supplied when the memory area is entered.

*Throws*

*SecurityException* when the application doesn't have permissions to access physical memory or the given range of memory.

*SizeOutOfBoundsException* when the implementation detects that the size estimate from *size* extends beyond physically addressable memory.

*OffsetOutOfBoundsException* when the *base* address is invalid.

*UnsupportedPhysicalMemoryException* when the underlying hardware does not support the given type, or if no matching `PhysicalMemoryTypeFilter`<sup>116</sup> has been registered with the `PhysicalMemoryManager`<sup>117</sup>.

*MemoryTypeConflictException* when the specified base does not point to memory that matches the requested type, or if *type* specifies incompatible memory attributes.

*MemoryInUseException* when the specified memory is already in use.

*IllegalArgumentException* when *size* is `null`, or *size.getEstimate()* is negative.

*IllegalAssignmentError* when storing *logic* in *this* would violate the assignment rules.

Create an instance of `VTPhysicalMemory` with the given parameters.

See Section [PhysicalMemoryManager](#))

## VTPhysicalMemory(PhysicalMemoryName, long)

---

<sup>115</sup>Section [11.4.3.7.2](#)

<sup>116</sup>Section [15.3.1.2](#)

<sup>117</sup>Section [15.3.2.3](#)

*Signature*

```
public
    VTPhysicalMemory(PhysicalMemoryName type, long size)
```

```
throws SecurityException, SizeOutOfBoundsException,
    UnsupportedPhysicalMemoryException, MemoryTypeConflictException
```

*Parameters*

*type* Used to define the base address and control the mapping. If *type* is null any type of memory is acceptable. Note that *type* values are compared by reference (==), not by value (equals).

*size* The size of the area in bytes.

*Throws*

*SecurityException* The application doesn't have permissions to access physical memory or the given type of memory.

*SizeOutOfBoundsException* *size* is negative or extends into an invalid range of memory.

*UnsupportedPhysicalMemoryException* when the underlying hardware does not support *type*.

*MemoryTypeConflictException* The specified base does not point to memory that matches the request type, or if *type* specifies attributes with a conflict.

Create an instance of `VTPhysicalMemory` with the given parameters.

See [Section PhysicalMemoryManager](#))

Available since RTSJ version RTSJ 2.0

## VTPhysicalMemory(PhysicalMemoryName, long, long)

*Signature*

```
public
    VTPhysicalMemory(PhysicalMemoryName type, long base, long size)
```

```
throws SecurityException, SizeOutOfBoundsException,
    OffsetOutOfBoundsException, UnsupportedPhysicalMemoryException,
    MemoryTypeConflictException, MemoryInUseException
```

*Parameters*

*type* Used to define the base address and control the mapping. If `type` is `null` any type of memory is acceptable. Note that `type` values are compared by reference (`==`), not by value (`equals`).

*base* The physical memory address of the area.

*size* The size of the area in bytes.

#### Throws

*SecurityException* The application doesn't have permissions to access physical memory or the given range of memory.

*OffsetOutOfBoundsException* The address is invalid.

*SizeOutOfBoundsException* `size` is negative or extends into an invalid range of memory.

*UnsupportedPhysicalMemoryException* when the underlying hardware does not support `type`.

*MemoryTypeConflictException* when `base` does not point to memory that matches `type`, or if `type` specifies conflicting attributes.

*MemoryInUseException* The specified memory is already in use.

Create an instance of `VTPhysicalMemory` with the given parameters.

[See Section PhysicalMemoryManager](#))

Available since RTSJ version RTSJ 2.0

## VTPhysicalMemory(PhysicalMemoryName, SizeEstimator)

#### Signature

```
public
    VTPhysicalMemory(PhysicalMemoryName type, SizeEstimator size)
```

```
throws SecurityException, SizeOutOfBoundsException,
    UnsupportedPhysicalMemoryException, MemoryTypeConflictException
```

#### Parameters

*type* Used to define the base address and control the mapping. If `type` is `null` any type of memory is acceptable. Note that `type` values are compared by reference (`==`), not by value (`equals`).

*size* A size estimator for this area.

#### Throws

*SecurityException* The application doesn't have permissions to access physical memory or the given type of memory.

*SizeOutOfBoundsException* `size` is negative or extends into an invalid range of memory.

*UnsupportedPhysicalMemoryException* when the underlying hardware does not support `type`.

*MemoryTypeConflictException* when `base` does not point to memory that matches `type`, or if `type` specifies conflicting attributes.

Create an instance of `VTPhysicalMemory` with the given parameters.

[See Section PhysicalMemoryManager](#))

Available since RTSJ version RTSJ 2.0

## VTPhysicalMemory(PhysicalMemoryName, long, SizeEstimator)

*Signature*

```
public
    VTPhysicalMemory(PhysicalMemoryName type, long base, SizeEstimator size)

    throws SecurityException, SizeOutOfBoundsException,
           OffsetOutOfBoundsException, UnsupportedPhysicalMemoryException,
           MemoryTypeConflictException, MemoryInUseException
```

*Parameters*

*type* Used to define the base address and control the mapping. If `type` is `null` any type of memory is acceptable. Note that `type` values are compared by reference (`==`), not by value (`equals`).

*base* The physical memory address of the area.

*size* A size estimator for this memory area.

*Throws*

*SecurityException* The application doesn't have permissions to access physical memory or the given range of memory.

*OffsetOutOfBoundsException* The address is invalid.

*SizeOutOfBoundsException* `size` is negative or extends into an invalid range of memory.

*UnsupportedPhysicalMemoryException* when the underlying hardware does not support `type`.

*MemoryTypeConflictException* when `base` does not point to memory that matches `type`, or if `type` specifies conflicting attributes.



*MemoryInUseException* The specified memory is already in use.  
Create an instance of `VTPhysicalMemory` with the given parameters.

[See Section PhysicalMemoryManager](#))

Available since RTSJ version RTSJ 2.0

## VTPhysicalMemory(PhysicalMemoryName, long, Runnable)

*Signature*

```
public  
    VTPhysicalMemory(PhysicalMemoryName type, long size, Runnable logic)
```

```
throws SecurityException, SizeOutOfBoundsExcepion,  
        UnsupportedPhysicalMemoryException, MemoryTypeConflictException
```

*Parameters*

*type* Used to define the base address and control the mapping. If `type` is `null` any type of memory is acceptable. Note that `type` values are compared by reference (`==`), not by value (`equals`).

*logic* enter this memory area with this `Runnable` after the memory area is created.

*Throws*

*SecurityException* The application doesn't have permissions to access physical memory or the given type of memory.

*SizeOutOfBoundsExcepion* `size` is negative or extends into an invalid range of memory.

*UnsupportedPhysicalMemoryException* when the underlying hardware does not support `type`.

*MemoryTypeConflictException* when `base` does not point to memory that matches `type`, or if `type` specifies conflicting attributes.

Create an instance of `VTPhysicalMemory` with the given parameters.

[See Section PhysicalMemoryManager](#))

Available since RTSJ version RTSJ 2.0

**VTPhysicalMemory(PhysicalMemoryName, long, long, Runnable)***Signature*

```
public
    VTPhysicalMemory(PhysicalMemoryName type, long base, long size, Runnable logic)
```

throws `SecurityException`, `SizeOutOfBoundsException`, `OffsetOutOfBoundsException`, `UnsupportedPhysicalMemoryException`, `MemoryTypeConflictException`, `MemoryInUseException`

*Parameters*

*type* Used to define the base address and control the mapping. If `type` is `null` any type of memory is acceptable. Note that `type` values are compared by reference (`==`), not by value (`equals`).

*base* The physical memory address of the area.

*size* The size of the area in bytes.

*logic* `enter` this memory area with this `Runnable` after the memory area is created.

*Throws*

*SecurityException* The application doesn't have permissions to access physical memory or the given range of memory.

*OffsetOutOfBoundsException* The address is invalid.

*SizeOutOfBoundsException* `size` is negative or extends into an invalid range of memory.

*UnsupportedPhysicalMemoryException* when the underlying hardware does not support `type`.

*MemoryTypeConflictException* when `base` does not point to memory that matches `type`, or if `type` specifies conflicting attributes.

*MemoryInUseException* The specified memory is already in use.

Create an instance of `VTPhysicalMemory` with the given parameters.

[See Section PhysicalMemoryManager](#)

Available since RTSJ version RTSJ 2.0

**VTPhysicalMemory(PhysicalMemoryName, SizeEstimator, Runnable)***Signature*

```
public
    VTPhysicalMemory(PhysicalMemoryName type, SizeEstimator size, Runnable logic)
```

```
throws SecurityException, SizeOutOfBoundsException,
    UnsupportedPhysicalMemoryException, MemoryTypeConflictException
```

*Parameters*

*type* Used to define the base address and control the mapping. If *type* is null any type of memory is acceptable. Note that *type* values are compared by reference (`==`), not by value (`equals`).

*size* A size estimator for this area.

*logic* `enter` this memory area with this `Runnable` after the memory area is created.

*Throws*

*SecurityException* The application doesn't have permissions to access physical memory or the given type of memory.

*SizeOutOfBoundsException* *size* is negative or extends into an invalid range of memory.

*UnsupportedPhysicalMemoryException* when the underlying hardware does not support *type*.

*MemoryTypeConflictException* when *base* does not point to memory that matches *type*, or if *type* specifies conflicting attributes.

Create an instance of `VTPhysicalMemory` with the given parameters.

[See Section PhysicalMemoryManager](#))

Available since RTSJ version RTSJ 2.0

## VTPhysicalMemory(PhysicalMemoryName, long, SizeEstimator, Runnable)

*Signature*

```
public
    VTPhysicalMemory(PhysicalMemoryName type, long base, SizeEstimator size, Runnable logic)
```

```
throws SecurityException, SizeOutOfBoundsException,
    OffsetOutOfBoundsException, UnsupportedPhysicalMemoryException,
    MemoryTypeConflictException, MemoryInUseException
```

*Parameters*

*type* Used to define the base address and control the mapping. If `type` is `null` any type of memory is acceptable. Note that `type` values are compared by reference (`==`), not by value (`equals`).

*base* The physical memory address of the area.

*size* A size estimator for this memory area.

*logic enter* this memory area with this `Runnable` after the memory area is created.

#### *Throws*

*SecurityException* The application doesn't have permissions to access physical memory or the given range of memory.

*OffsetOutOfBoundsException* The address is invalid.

*SizeOutOfBoundsException* `size` is negative or extends into an invalid range of memory.

*UnsupportedPhysicalMemoryException* when the underlying hardware does not support `type`.

*MemoryTypeConflictException* when `base` does not point to memory that matches `type`, or if `type` specifies conflicting attributes.

*MemoryInUseException* The specified memory is already in use.

Create an instance of `VTPhysicalMemory` with the given parameters.

[See Section PhysicalMemoryManager](#))

Available since RTSJ version RTSJ 2.0

### 15.3.2.8.2 Methods

---

#### **toString**

##### *Signature*

```
public
  java.lang.String toString()
```

##### *Returns*

A string representing the value of `this`.

Creates a string representing this object. The string is of the form  
(`VTPhysicalMemory`) Scoped memory # `num`

where `num` is a number that uniquely identifies this `VTPhysicalMemory` memory area.

## 15.4 Rationale

These are interface that have been shown to be less the ideal. They have been replaced by classes that better fulfill the requirements. Compatibility can be provided by implemenations that use existing facilities so there is not reason to continue requiring their inclusion new implementations.



# Chapter 16

## Conformance, Compliance, and Portability

### 16.1 Minimum Implementations

The flexibility of the RTSJ indicates that implementations may provide different semantics for scheduling, synchronization, and garbage collection. This section defines what minimum semantics for these areas and other semantics and APIs required of all implementations of the RTSJ. Other than what is described in the optional modules or explicitly noted as optionally required, the RTSJ does not allow any subsetting of the APIs in the `javax.realtime` package; however, some of the classes are specific to certain well-known scheduling or synchronization algorithms and may have no underlying support in a minimum implementation of the RTSJ. The RTSJ provides these classes as standard parent classes for implementations supporting such algorithms.

### 16.2 Modules

As described in Section 3.2, the RTSJ now has modules. Every implementation must implement the Core module. If any of the other modules is provided, it must be provided in full. None of the classes of an unimplemented module should be present.

### 16.3 Optionally Required Components

The RTSJ does not, in general, support the concept of optional components of the specification. Optional components would further complicate the already difficult task of writing WORA (Write Once Run Anywhere) software components for real-

time systems. However, understanding the difficulty of providing implementations of mechanisms for which there is no underlying support, the RTSJ does provide for a few exceptions. Any components that are considered optional will be listed as such in the class definitions.

The most notable optional component of the specification is the `POSIXSignalHandler`. A conformant implementation which implements the Device module must support POSIX signals if and only if the underlying system supports them.

### 16.3.1 Deployment Implementation

The minimum scheduling semantics that must be supported in all implementations of the RTSJ are fixed-priority preemptive scheduling and at least 28 unique priority levels. By fixed-priority we mean that the system does not change the priority of any `RealtimeThread` or `NoHeapRealtimeThread` except, temporarily, for priority inversion avoidance. Note, however, that application code may change such priorities. What the RTSJ precludes by this statement is scheduling algorithms that change thread priorities according to policies for optimizing throughput (such as increasing the priority of threads that have been receiving few processor cycles because of higher priority threads (aging)). The 28 unique priority levels are required to be unique to preclude implementations from using fewer priority levels of underlying systems to implement the required 28 by simplistic algorithms (such as lumping four RTSJ priorities into seven buckets for an underlying system that only supports seven priority levels). It is sufficient for systems with fewer than 28 priority levels to use more sophisticated algorithms to implement the required 28 unique levels as long as `RealtimeThreads` and `NoHeapRealtimeThreads` behave as though there were at least 28 unique levels. (e.g. if there were 28 `RealtimeThreads` ( $t_1, \dots, t_{28}$ ) with priorities ( $p_1, \dots, p_{28}$ ), respectively, where the value of  $p_1$  was the highest priority and the value of  $p_2$  the next highest priority, etc., then for all executions of threads  $t_1$  through  $t_{28}$  thread  $t_1$  would *always* execute in preference to threads  $t_2, \dots, t_{28}$  and thread  $t_2$  would *always* execute in preference to threads  $t_3, \dots, t_{28}$ , etc.)

The minimum synchronization semantics that must be supported in all deployment implementations of the RTSJ are detailed in the above section on synchronization and repeated here.

All deployment implementations of the RTSJ must provide an implementation of the synchronized primitive with default behavior that ensures that there is no unbounded priority inversion. Furthermore, this must apply to code if it is run within the implementation as well as to realtime threads. The priority inheritance protocol must be implemented by default.

All threads waiting to acquire a resource must be queued in priority order. This applies to the processor as well as to synchronized blocks. If threads with the same exact priority are possible under the active scheduling policy, threads with the same



priority are queued in FIFO order. (Note that these requirements apply only to the required base scheduling policy and hence use the specific term "priority"). In particular:

- Threads waiting to enter synchronized blocks are granted access to the synchronized block in priority order.
- A blocked thread that becomes ready to run is given access to the processor in priority order.
- A thread whose execution eligibility is explicitly set by itself or another thread is given access to the processor in priority order.
- A thread that performs a `yield()` will be given access to the processor after waiting threads of the same priority.
- However, threads that are preempted in favor of a thread with higher priority may be given access to the processor at any time as determined by a particular implementation. The implementation is required to provide documentation stating exactly the algorithm used for granting such access.

The RTSJ does not require any particular garbage collection algorithm; however, every deployment implementation must either support memory areas or have a realtime garbage collection. In the later case, the realtime limitations must be documented. All implementations of the RTSJ must support the class `GarbageCollector` and implement all of its methods.

## 16.4 Simulation Implementation

An implementation that chooses not to provide realtime guarantees, is termed a simulation implementation. Such an implementation does not need to provide the realtime characteristic described above, but does need to at least provide all the APIs of the core module. A simulation implementation can be a production system, but not for realtime applications. This enables a conventional JVM to make the base APIs available to a wider audience without changing its performance characteristics.

## 16.5 Documentation Requirements

In order to properly engineer a realtime system, an understanding of the cost associated with any arbitrary code segment is required. This is especially important for operations that are performed by the runtime system, largely hidden from the programmer. (An example of this is the maximum expected latency before the garbage collector can be interrupted.)

The RTSJ does not require specific performance or latency numbers to be matched. Rather, to be conformant to this specification, an implementation must provide doc-

umentation regarding the expected behavior of particular mechanisms. The mechanisms requiring such documentation, and the specific data to be provided, will be detailed in the class and method definitions.

# Appendix A

## Bibliography

- [1] *Portable Operating System Interface (POSIX<sup>®</sup>) Part 1: System Application Program Interface, International Standard ISO/IEC 9945-1, 1996 (E) IEEE Std 1003.1*, 1996 edition ed. The Institute of Electrical and Electronics Engineers, Inc., 1996.
- [2] BARR, M. Memory types. *Embedded Systems Programming* (2001), 103–104.
- [3] BURNS, A., AND WELLINGS, A. J. *Real-Time Systems and Programming Languages*; 4th ed. Addison Wesley, 2010.
- [4] DOS SANTOS, O. M., AND WELLINGS, A. Cost enforcement in the real-time specification for java. *Real-Time Syst.* 37, 2 (Nov. 2007), 139–179.
- [5] GOSLING, J., JOY, B., STEELE, G., BRACHA, G., AND BUCKLEY, A. *The Java Language Specification Java SE 8 Edition*. Oracle, 2014.
- [6] LINDHOLM, T., YELLIN, F., BRACHA, G., AND BUCKLEY, A. *The Java Virtual Machine Specification Java SE 8 Edition*. Oracle, 2014.
- [7] REGEHR, J. Safe and structured use of interrupts in real-time and embedded software. In *Handbook of Real-Time and Embedded Systems*, I. Lee, J. Y.-T. Leug, and S. H. Son, Eds. Chapman and Hall/CRC, 2007, pp. 16–1–16–12.

